



US00D514232S

(12) **United States Design Patent** (10) **Patent No.:** **US D514,232 S**
Jansson (45) **Date of Patent:** **** Jan. 31, 2006**

(54) **RETAINING WALL BLOCK**

(76) Inventor: **Jan Erik Jansson**, 7974 Etrada de Luz East, Santaluz, CA (US) 92127
(**) Term: **14 Years**

(21) Appl. No.: **29/208,675**

(22) Filed: **Jun. 30, 2004**

(51) **LOC (8) Cl.** **25-01**

(52) **U.S. Cl.** **D25/118**

(58) **Field of Classification Search** D25/112-118, D25/164, 151; D21/483-486, 499-505; 405/15-16, 405/284, 286; 404/34, 37-42, 44-45; 52/102, 52/503-505, 596-609, 612

See application file for complete search history.

(56) **References Cited**

U.S. PATENT DOCUMENTS

4,379,659 A	4/1983	Steiner	
4,380,887 A	4/1983	Lee	
4,384,810 A	5/1983	Neumann	
4,671,706 A	6/1987	Giardini	
4,884,921 A	12/1989	Smith	
D310,267 S	8/1990	Zeidman	
4,964,761 A	10/1990	Rossi	
5,066,169 A	11/1991	Gavin et al.	
5,072,566 A	12/1991	Zeidman	
5,108,231 A	4/1992	Rausch	
5,154,542 A	10/1992	Klenert	
5,177,925 A	1/1993	Winkler	
D351,239 S	* 10/1994	Klenert	D25/113
D357,748 S	4/1995	Jansson	
5,564,865 A	10/1996	Jansson	

OTHER PUBLICATIONS

Brochure of Loffel Retaining Walls, Inc., Carlsbad, California "Loffelstein Retaining Walls", 1988.*
Manual of Loffel Retaining Walls, Inc., Carlsbad, California, "Loffelstein Engineering Manual", 1988.*

* cited by examiner

Primary Examiner—Robert A. Delehanty

(74) *Attorney, Agent, or Firm*—Wood, Phillips, Katz, Clark & Mortimer

(57) **CLAIM**

The ornamental design for a retaining wall block, as shown and described.

DESCRIPTION

FIG. 1 is a perspective view of a retaining wall block showing my new design, as seen from a top, side, front vantage;

FIG. 2 is a perspective view thereof, as seen from a bottom, side, rear vantage;

FIG. 3 is a top plan thereof;

FIG. 4 is a front elevation thereof;

FIG. 5 is a side elevation thereof, as seen from the right side shown in FIG. 1;

FIG. 6 is a side elevation thereof, as seen from the opposite side;

FIG. 7 is a rear elevation thereof; and,

FIG. 8 is a bottom plan thereof.

1 Claim, 3 Drawing Sheets

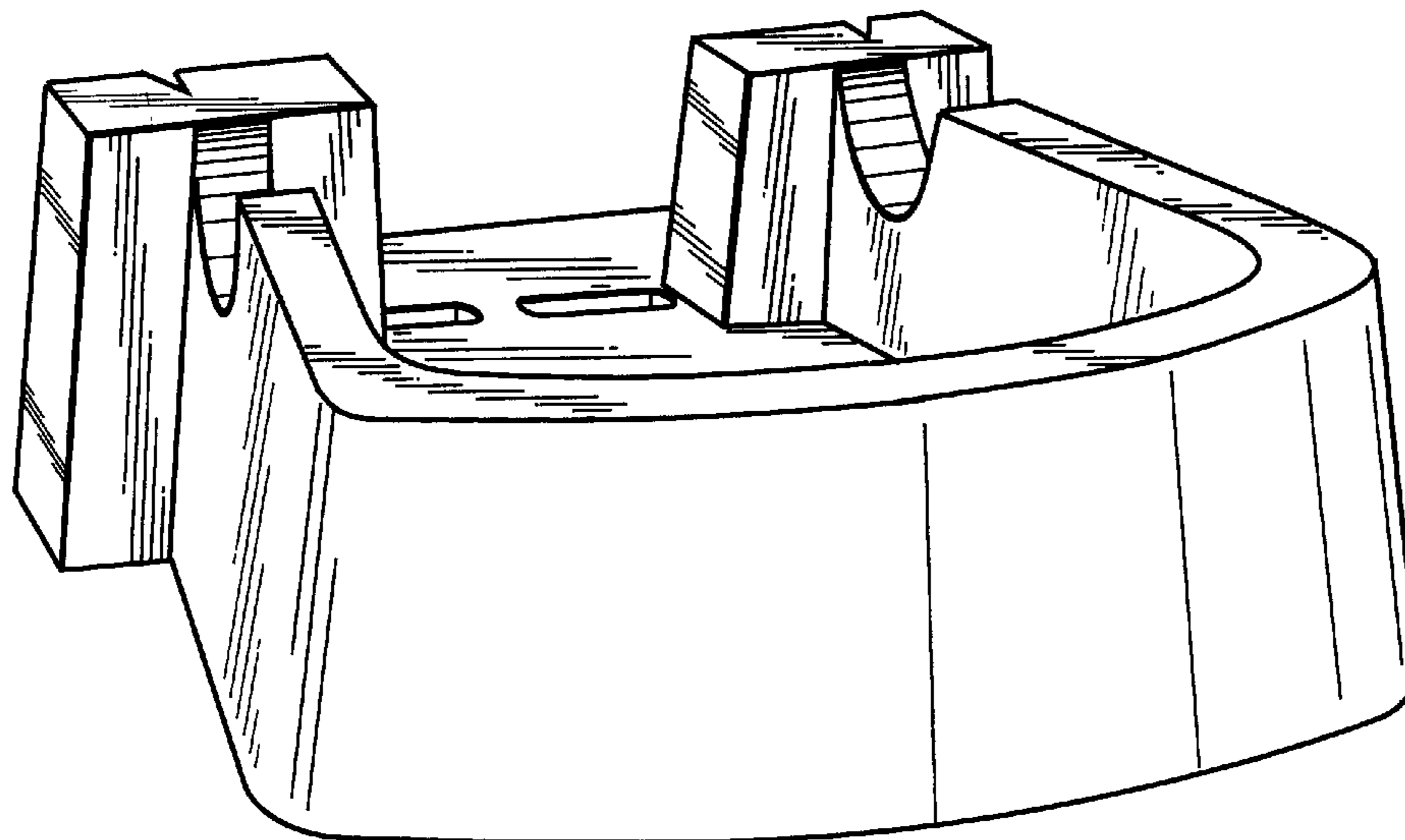


Fig. 1

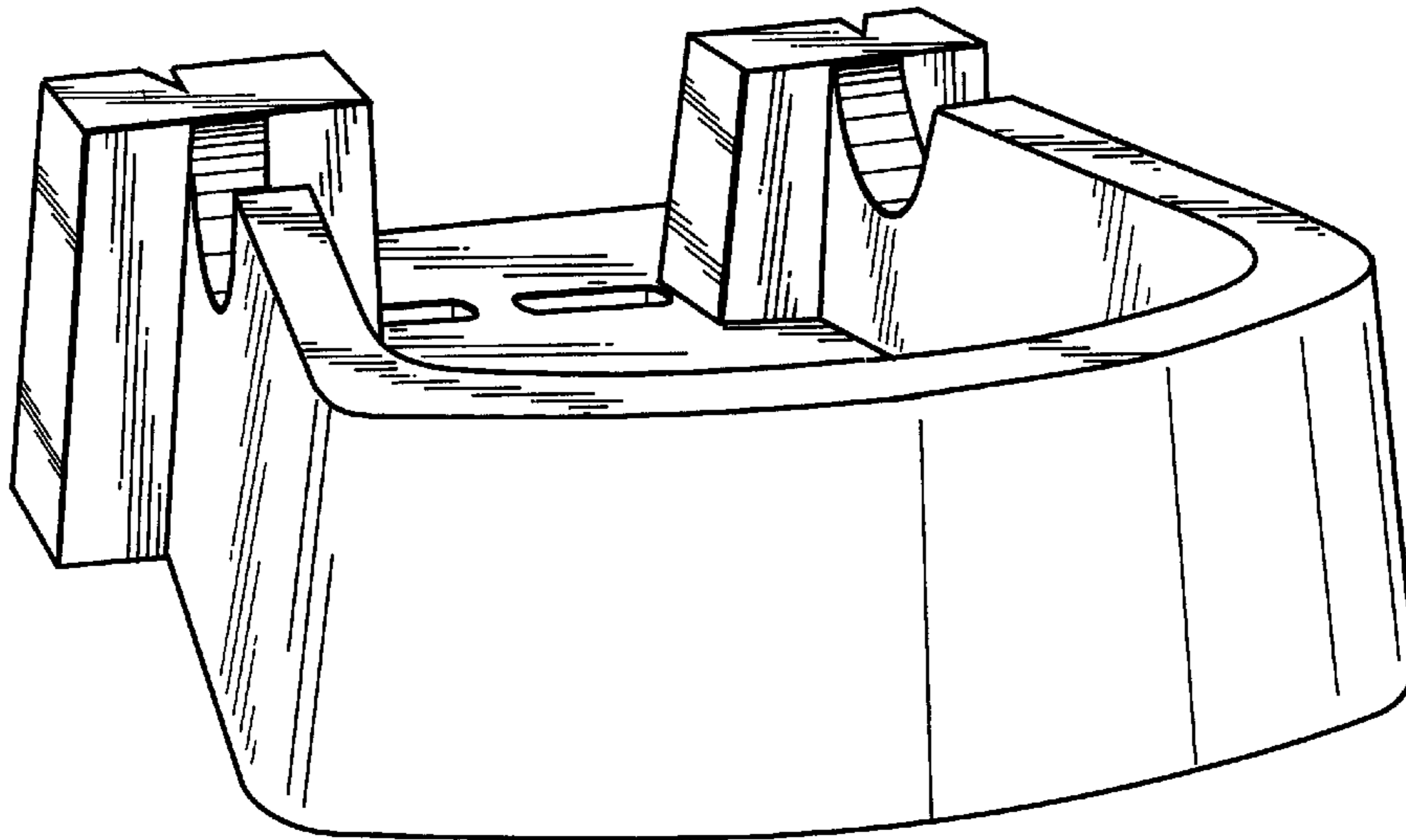


Fig. 2

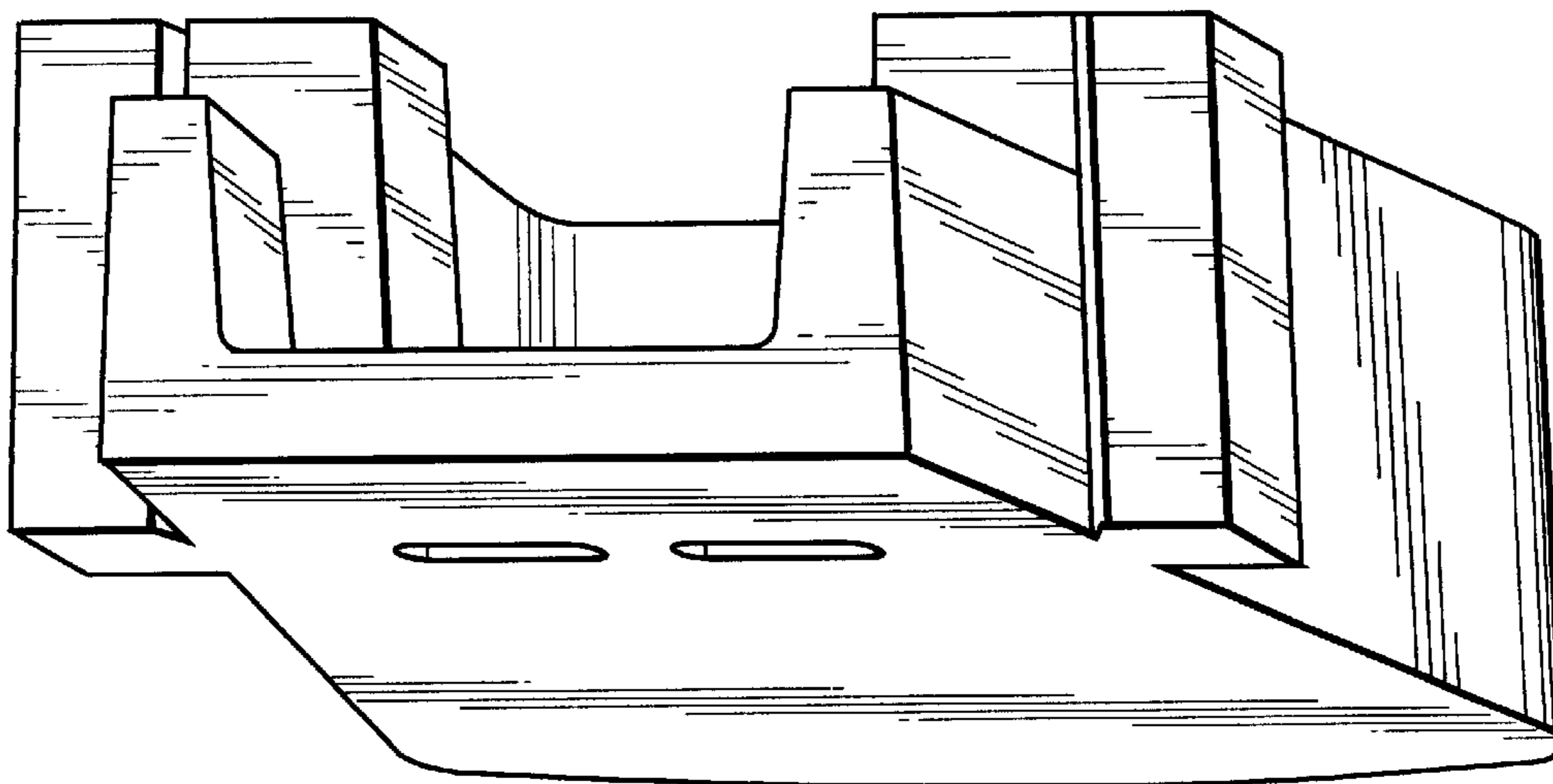


Fig. 3

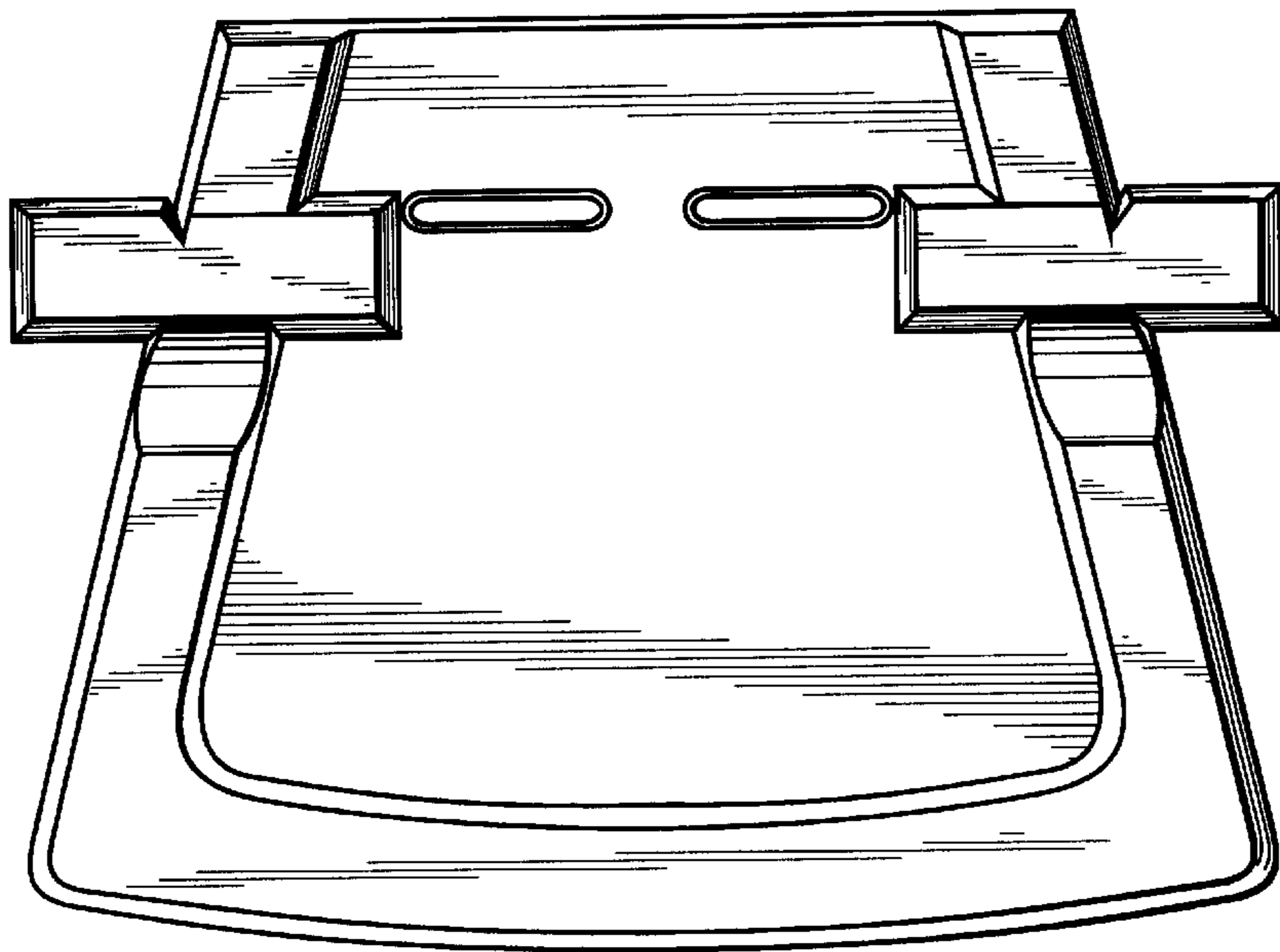


Fig. 4

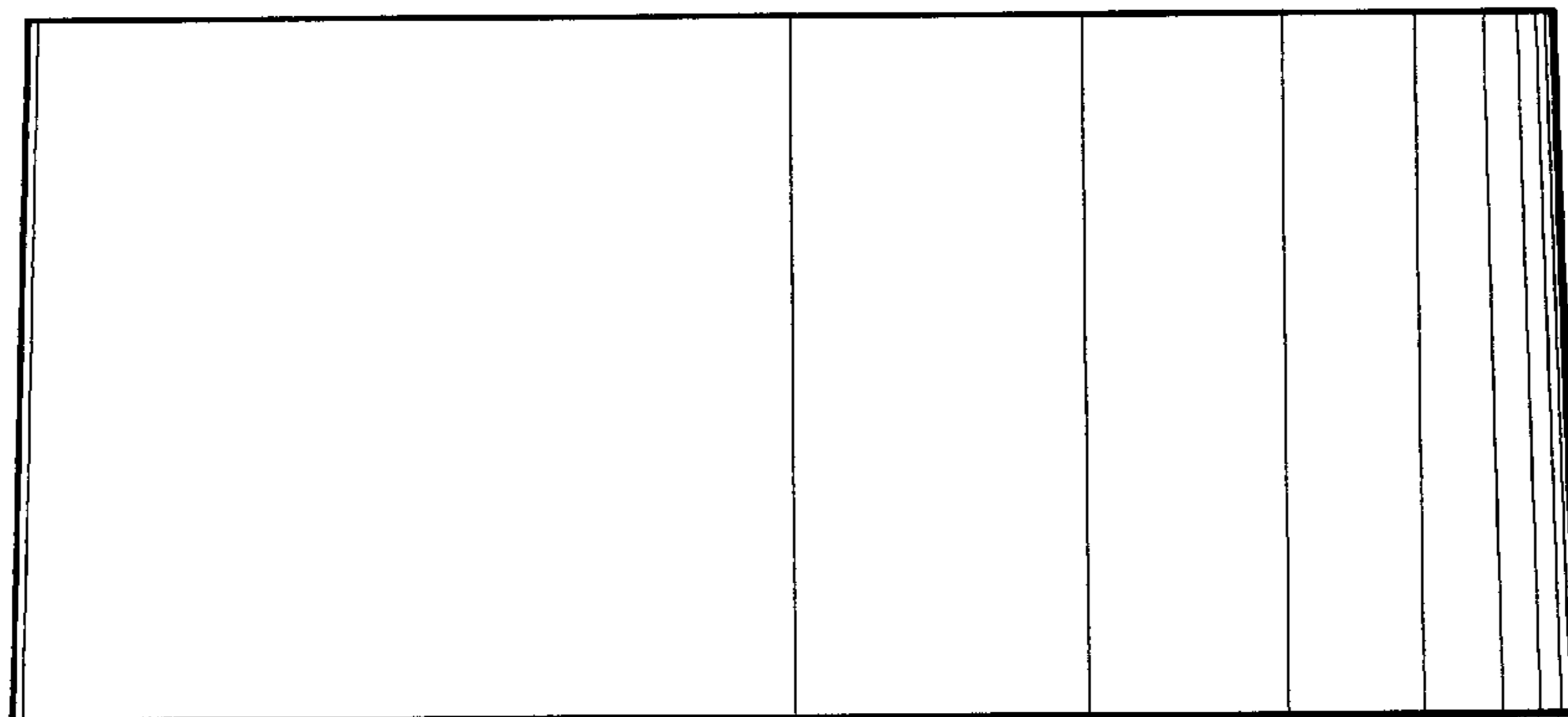


Fig. 5

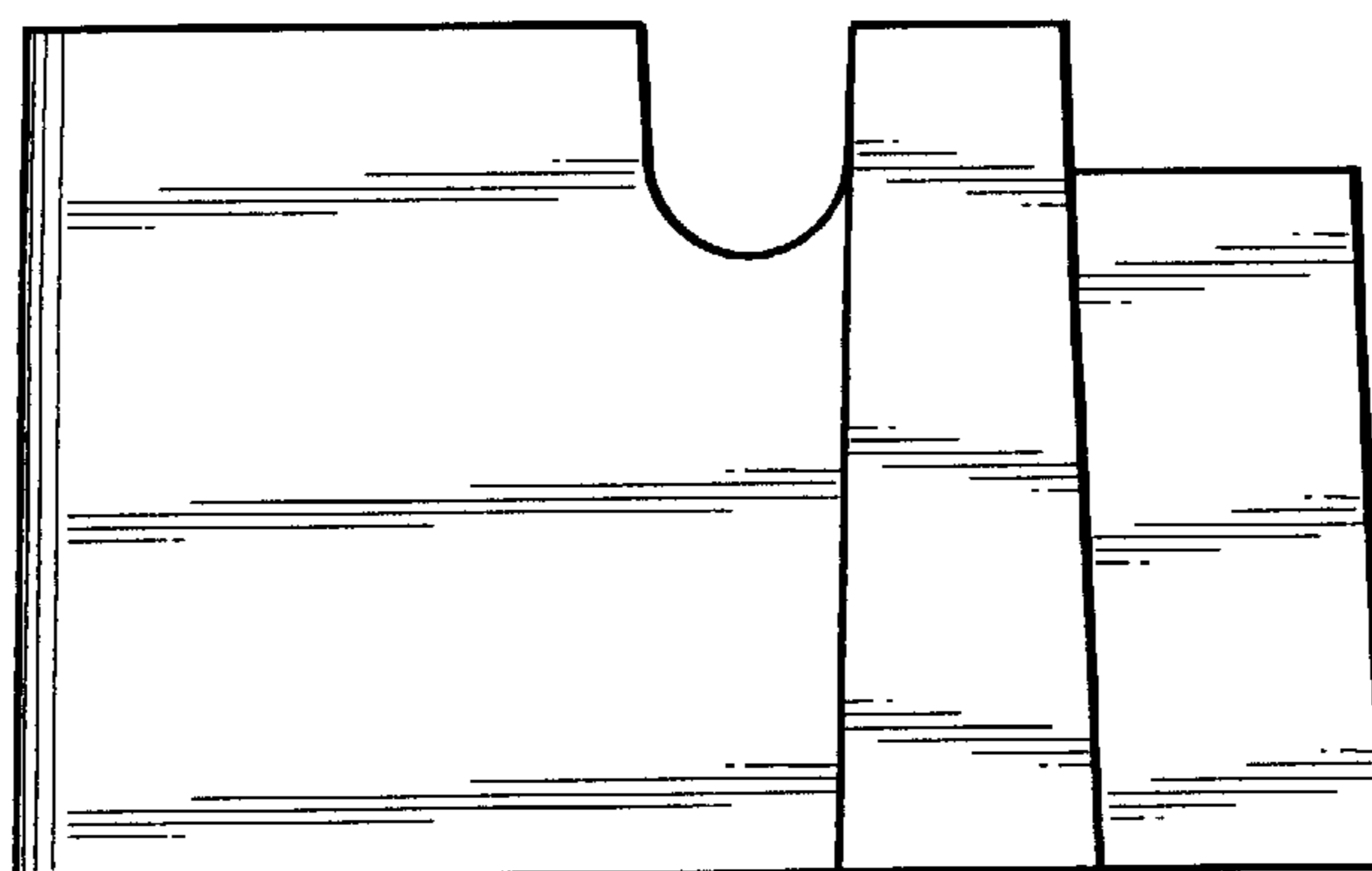


Fig. 6

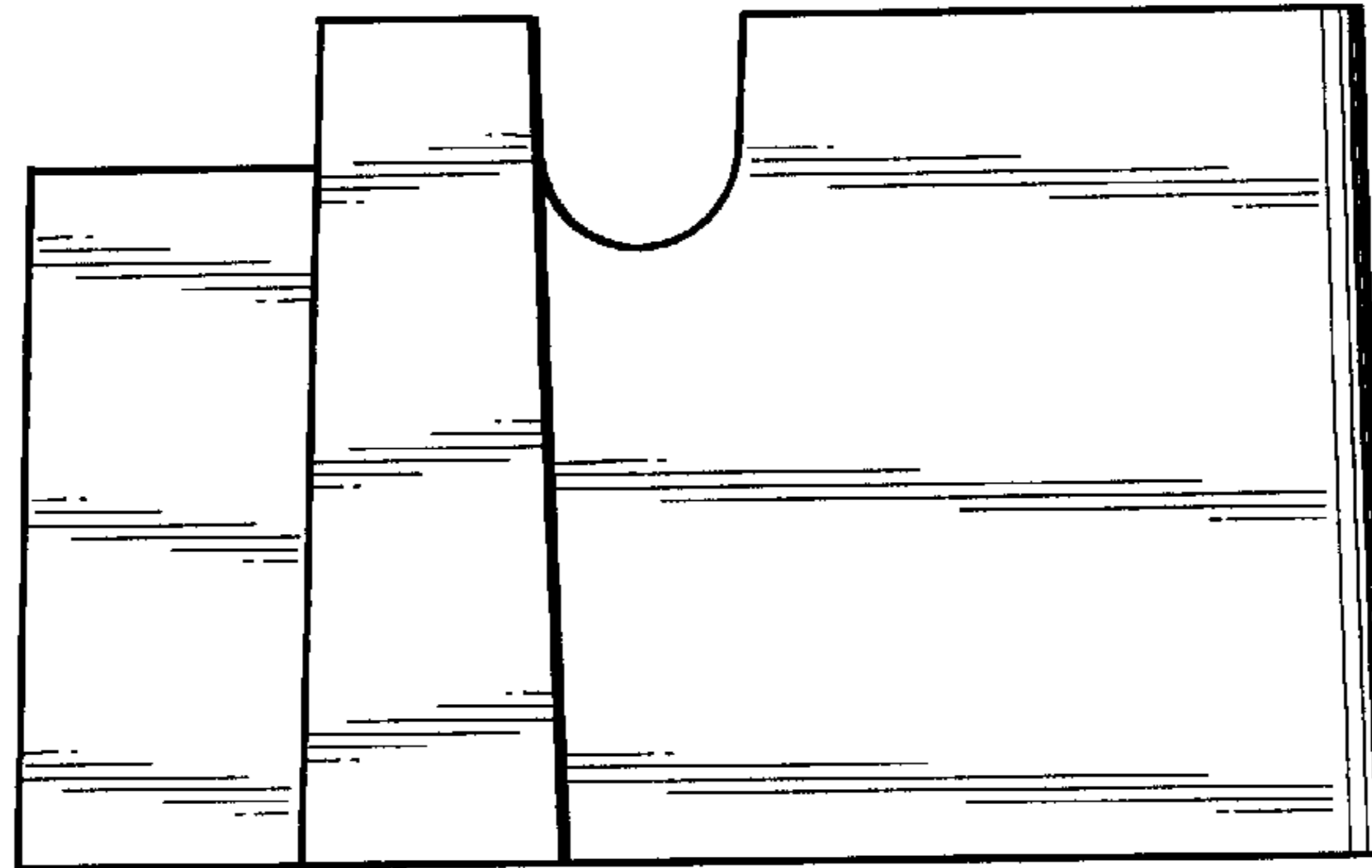


Fig. 7

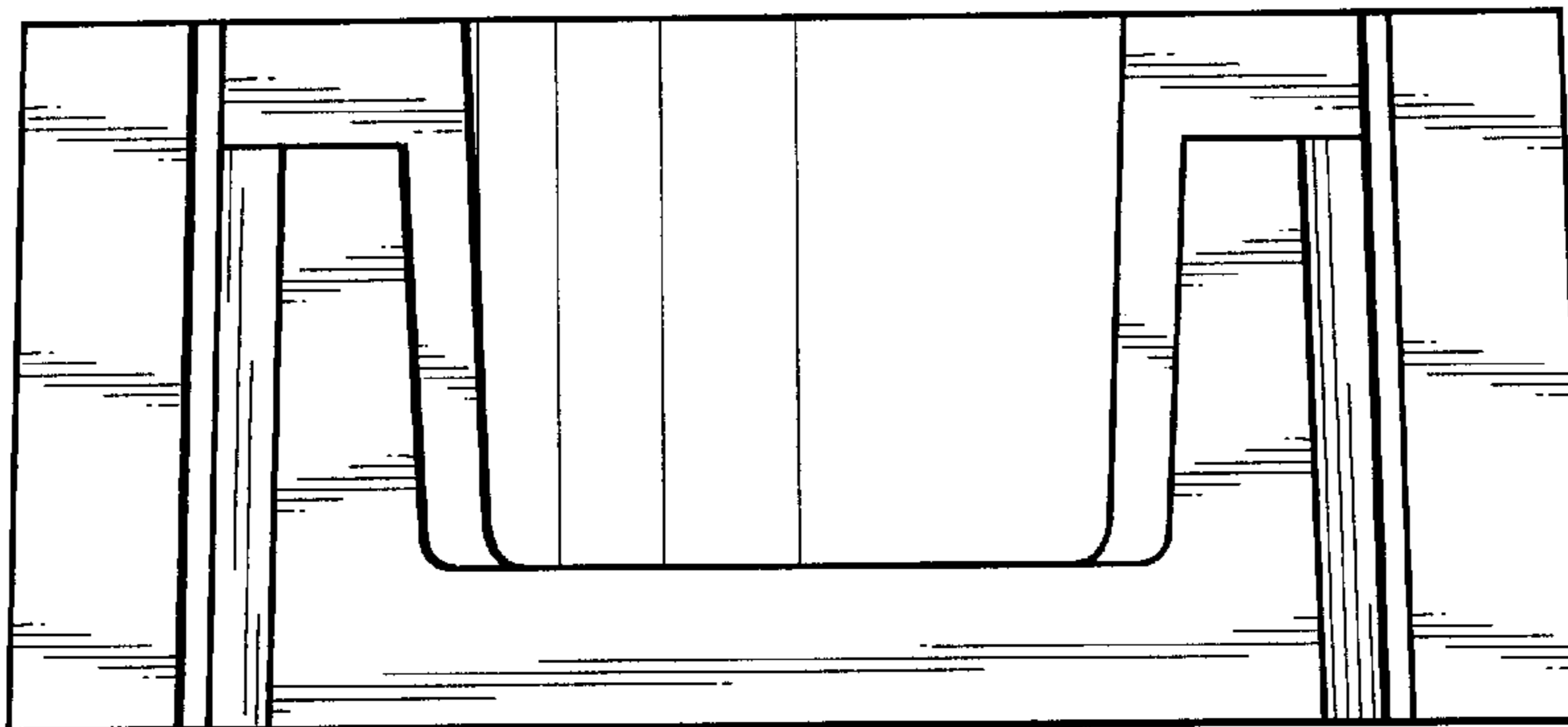


Fig. 8

