

US00D514231S

(12) **United States Design Patent**
Allison

(10) **Patent No.:** **US D514,231 S**
(45) **Date of Patent:** **** Jan. 31, 2006**

(54) **HOUSE FACADE**

(75) **Inventor:** **Eric S. Allison**, Westerville, OH (US)

(73) **Assignee:** **Dominion Homes, Inc.**, Dublin, OH (US)

(**) **Term:** **14 Years**

(21) **Appl. No.:** **29/213,567**

(22) **Filed:** **Sep. 20, 2004**

Related U.S. Application Data

(63) Continuation of application No. 29/176,112, filed on Feb. 18, 2003, now Pat. No. Des. 490,540, which is a continuation of application No. 29/176,113, filed on Feb. 18, 2003, now Pat. No. Des. 497,433, which is a continuation of application No. 29/171,110, filed on Nov. 15, 2002, now Pat. No. Des. 479,608.

(51) **LOC (8) Cl.** **25-02**

(52) **U.S. Cl.** **D25/59**

(58) **Field of Classification Search** D25/59,
D25/17, 22, 23; 52/90.1, 234; D21/511, 506,
D21/507

See application file for complete search history.

(56) **References Cited**

U.S. PATENT DOCUMENTS

D431,869 S * 10/2000 Hampel D25/59

* cited by examiner

Primary Examiner—Doris Clark

(74) *Attorney, Agent, or Firm*—Standley Law Group LLP

(57) **CLAIM**

The ornamental design for a house facade, as shown and described.

DESCRIPTION

FIG. 1 is a front elevational view of the house facade of the present invention;

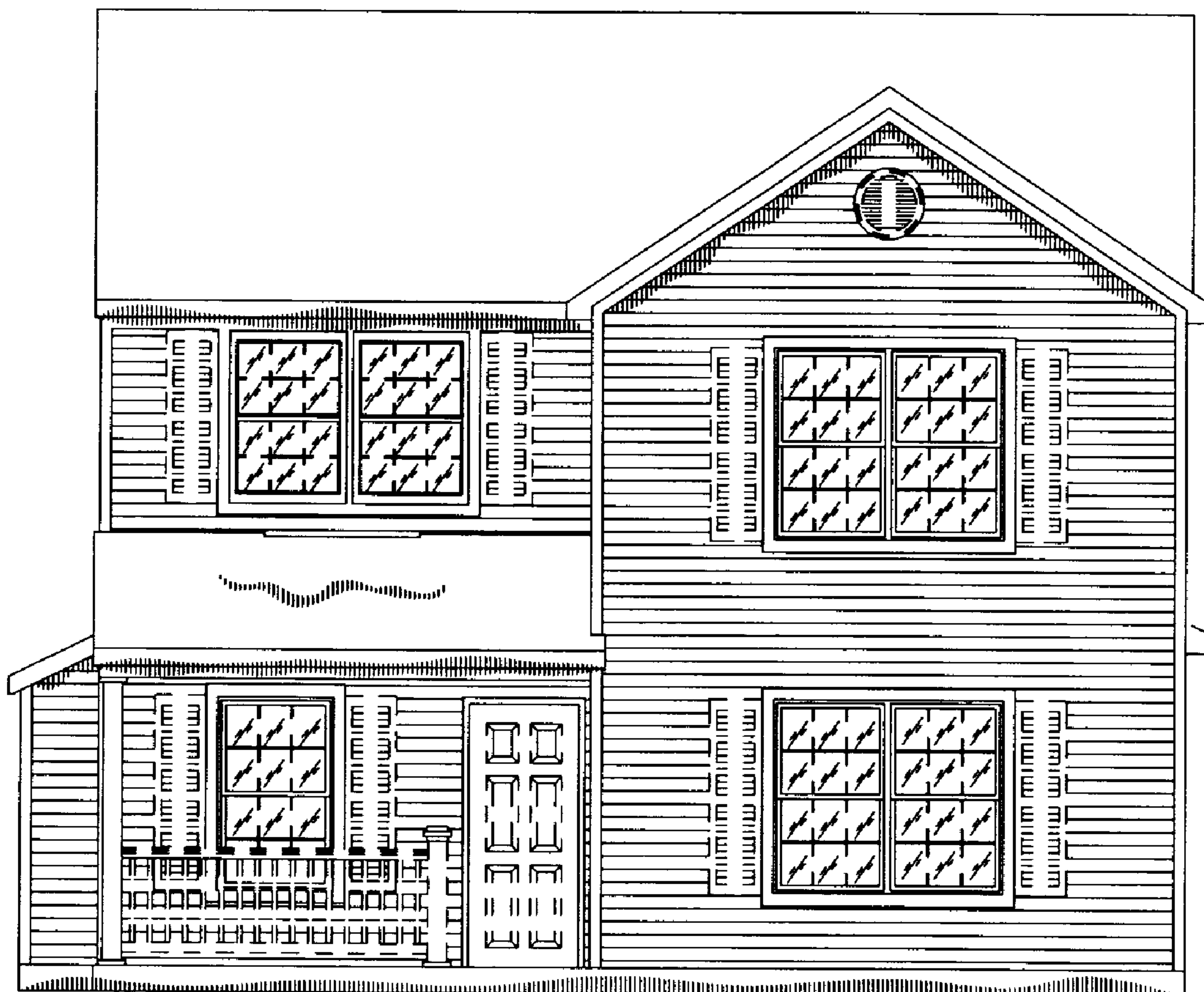
FIG. 2 is a left side elevational view thereof;

FIG. 3 is a rear elevational view thereof; and,

FIG. 4 is a right side elevational view thereof.

The broken lines are for illustrative purposes only and form no part of the claimed design.

1 Claim, 4 Drawing Sheets



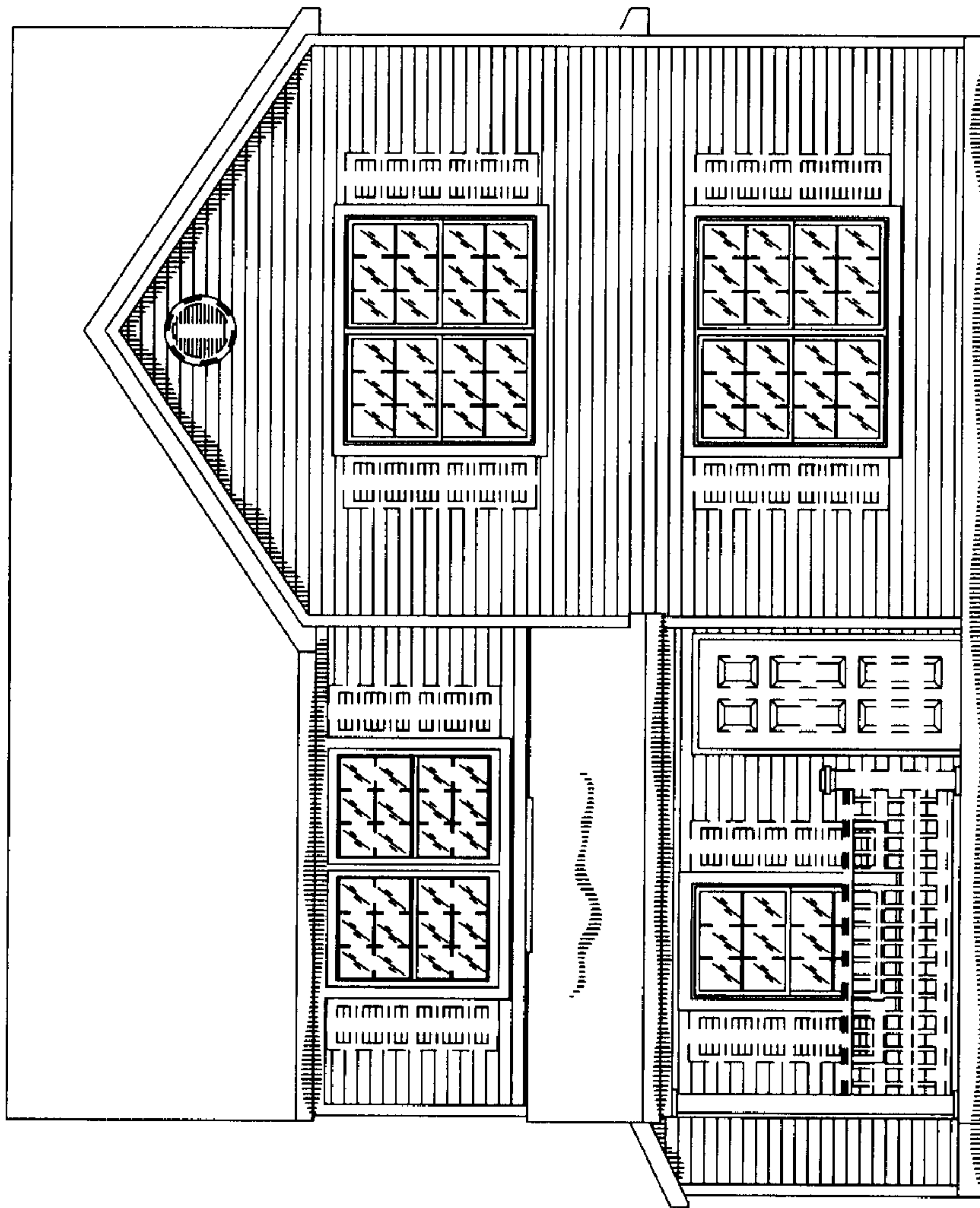


FIG. 1

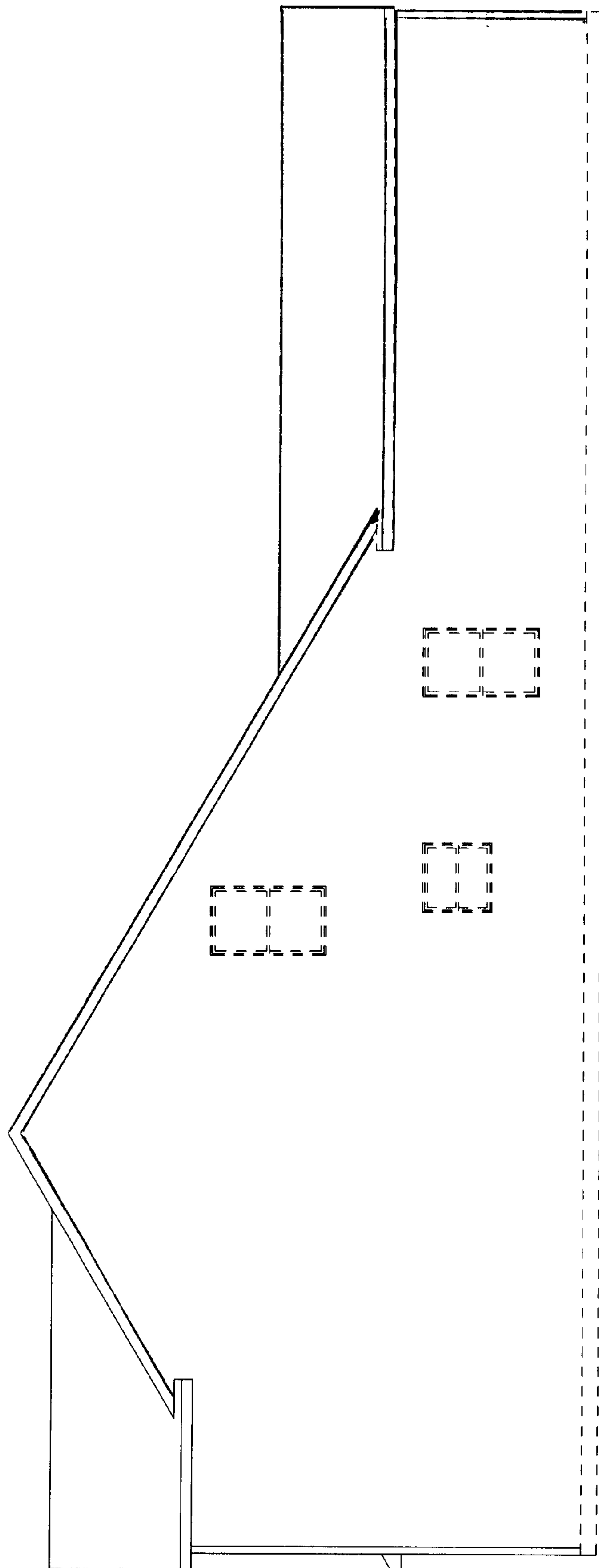


FIG. 2

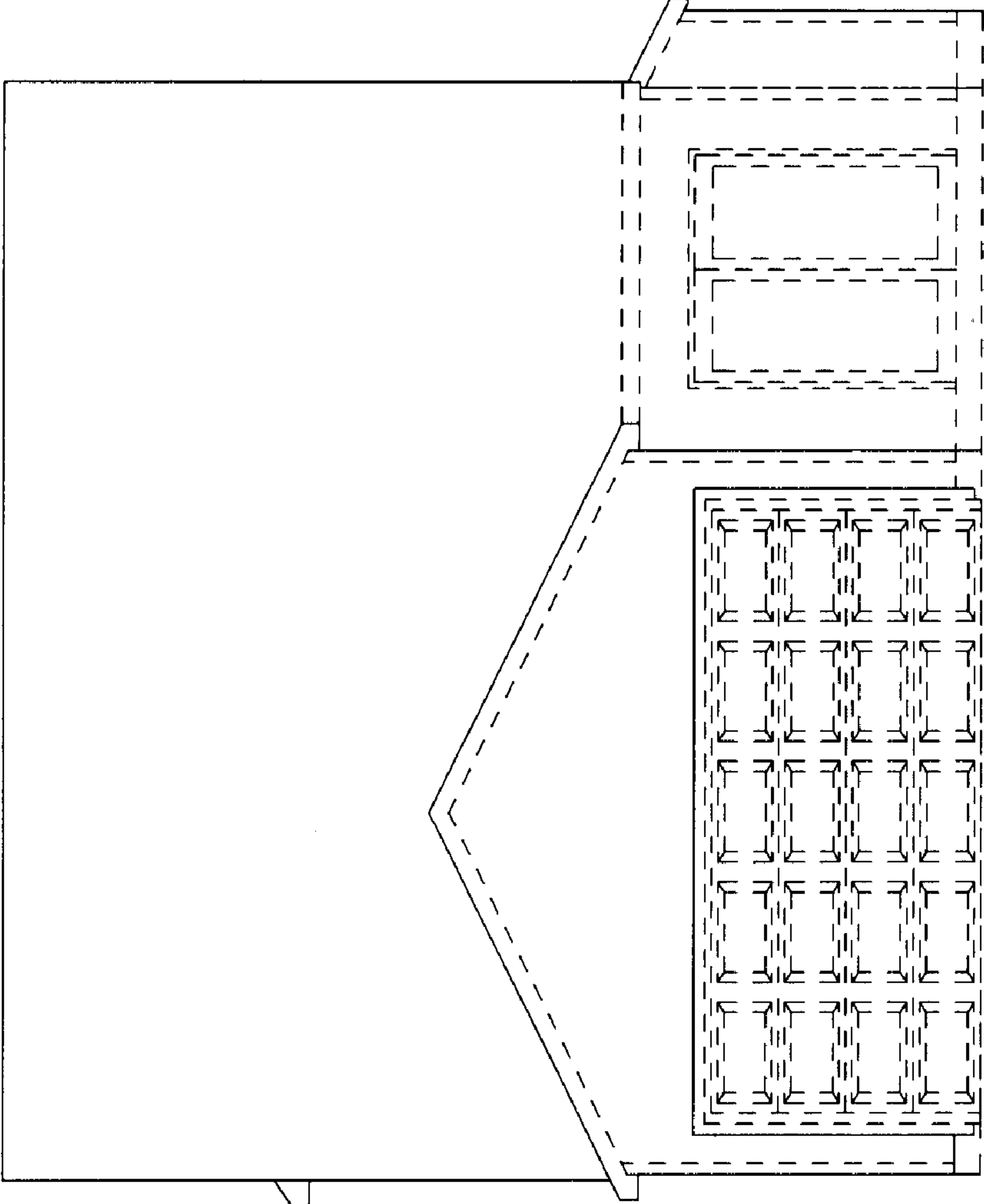


FIG. 3

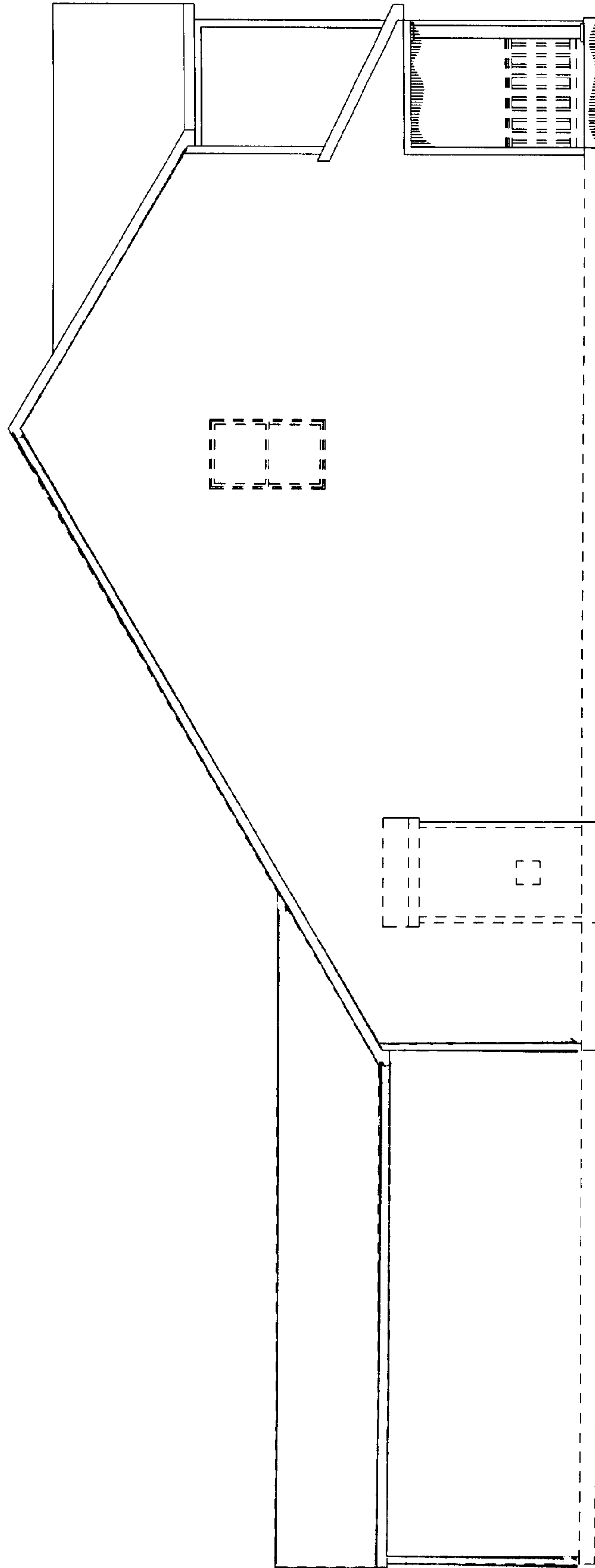


FIG. 4