



US00D514227S

(12) **United States Design Patent** (10) **Patent No.:** **US D514,227 S**
Percival et al. (45) **Date of Patent:** **** Jan. 31, 2006**

(54) **CAROUSEL FOR READER**

2004/0038422 A1 * 2/2004 Percival et al. 422/64
 2004/0191923 A1 * 9/2004 Tomasso et al. 422/104

(75) Inventors: **David Alan Percival**, Harwarden (GB);
David Aubrey Plumptre, Droitwich (GB)

FOREIGN PATENT DOCUMENTS

EP 0 339 277 A1 11/1989
 WO WO 99/28038 6/1999
 WO WO 00/76663 A1 12/2000

(73) Assignee: **Provalis Diagnostics Limited**, Deeside (GB)

* cited by examiner

(**) Term: **14 Years**

Primary Examiner—Cathy Anne MacCormac

(21) Appl. No.: **29/187,442**

Assistant Examiner—Melanie Levy

(22) Filed: **Jul. 31, 2003**

(74) *Attorney, Agent, or Firm*—Hogan & Hartson L.L.P.

(30) **Foreign Application Priority Data**

(57) **CLAIM**

Feb. 5, 2003 (GB) 3010618

The ornamental design for carousel for reader, as shown and described.

(51) **LOC (8) Cl.** **24-02**

DESCRIPTION

(52) **U.S. Cl.** **D24/232; D10/78; D24/231**

(58) **Field of Classification Search** D24/165–166,
 D24/232, 216, 234, 219; D10/78–80; D28/9,
 D28/61, 73–75; 210/781–782, 787, 926;
 435/7.7, 7.92; 422/58–59, 60, 64, 68.1, 102–104
 See application file for complete search history.

FIG. 1 is a perspective view taken from the top and front of a carousel for reader of the present invention;

FIG. 2 is a perspective view thereof taken from the front and the bottom;

FIG. 3 is a perspective view thereof taken from the left side and the top;

FIG. 4 is a perspective view thereof taken from the left side and the bottom;

FIG. 5 is a perspective view thereof taken from the right side and the top;

FIG. 6 is a perspective view thereof taken from the right side and the bottom;

FIG. 7 is a perspective view thereof taken from the rear and the top;

FIG. 8 is a perspective view thereof taken from the rear and bottom;

FIG. 9 is a front view thereof;

FIG. 10 is a rear view thereof;

FIG. 11 is a left side view thereof; and,

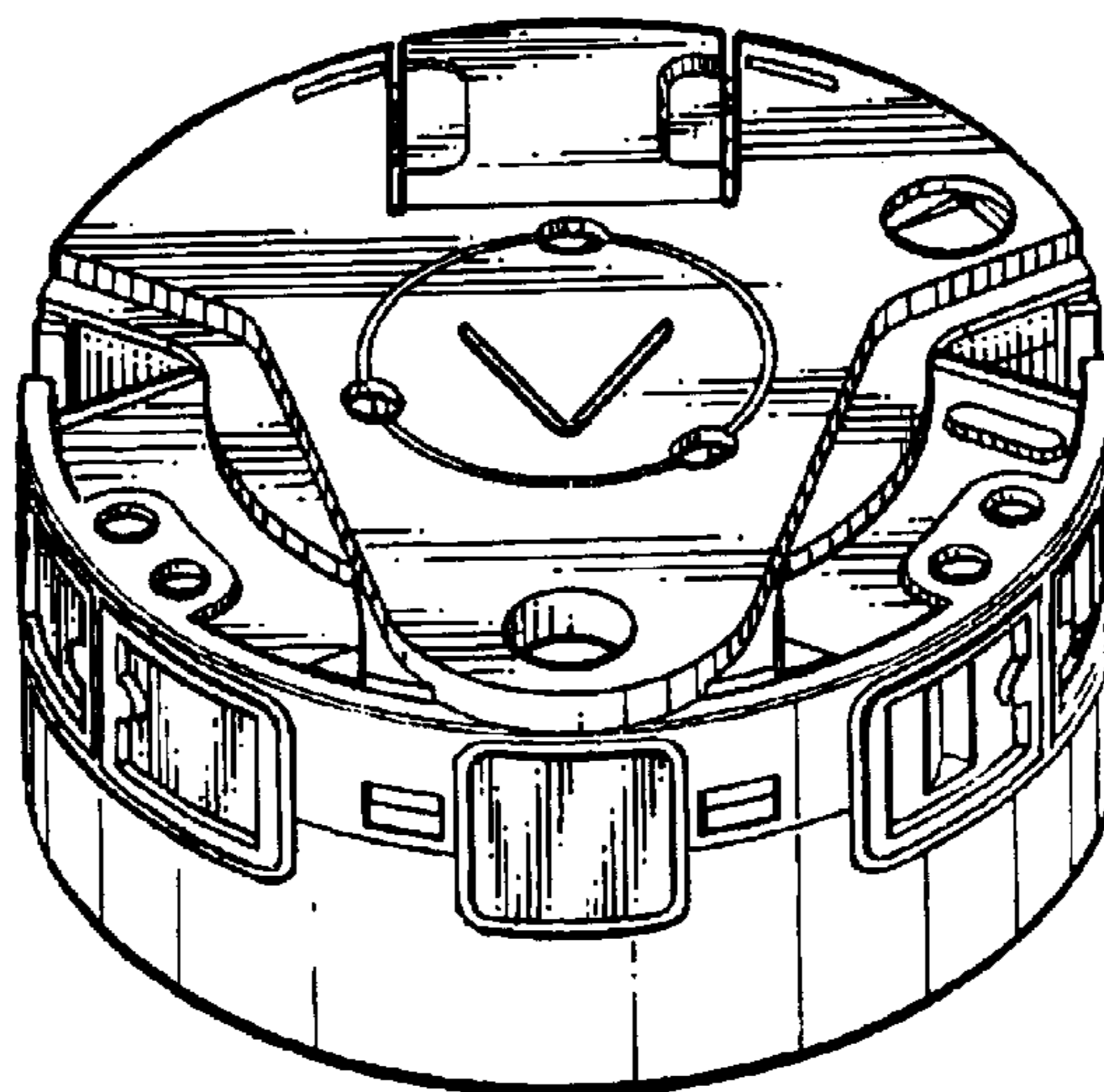
FIG. 12 is a right side view opposite the first side view thereof.

(56) **References Cited**

U.S. PATENT DOCUMENTS

D187,328 S * 3/1960 Gordon D10/80
 3,853,010 A 12/1974 Christen et al.
 3,901,658 A * 8/1975 Burtis et al. 422/104
 4,507,977 A 4/1985 Cabrera
 4,541,291 A 9/1985 Churchill et al.
 4,690,801 A 9/1987 Anderson
 4,726,932 A 2/1988 Feier et al.
 4,849,177 A * 7/1989 Jordan 422/64
 4,933,147 A 6/1990 Hollar et al.
 5,186,844 A * 2/1993 Burd et al. 210/782
 5,294,404 A * 3/1994 Grandone et al. 422/64
 5,630,986 A 5/1997 Charlton et al.
 D443,539 S 6/2001 Stevenson et al.
 D447,713 S 9/2001 Stevenson et al.
 6,300,142 B1 10/2001 Andrewes et al.
 6,656,428 B1 * 12/2003 Clark et al. 422/58

1 Claim, 6 Drawing Sheets



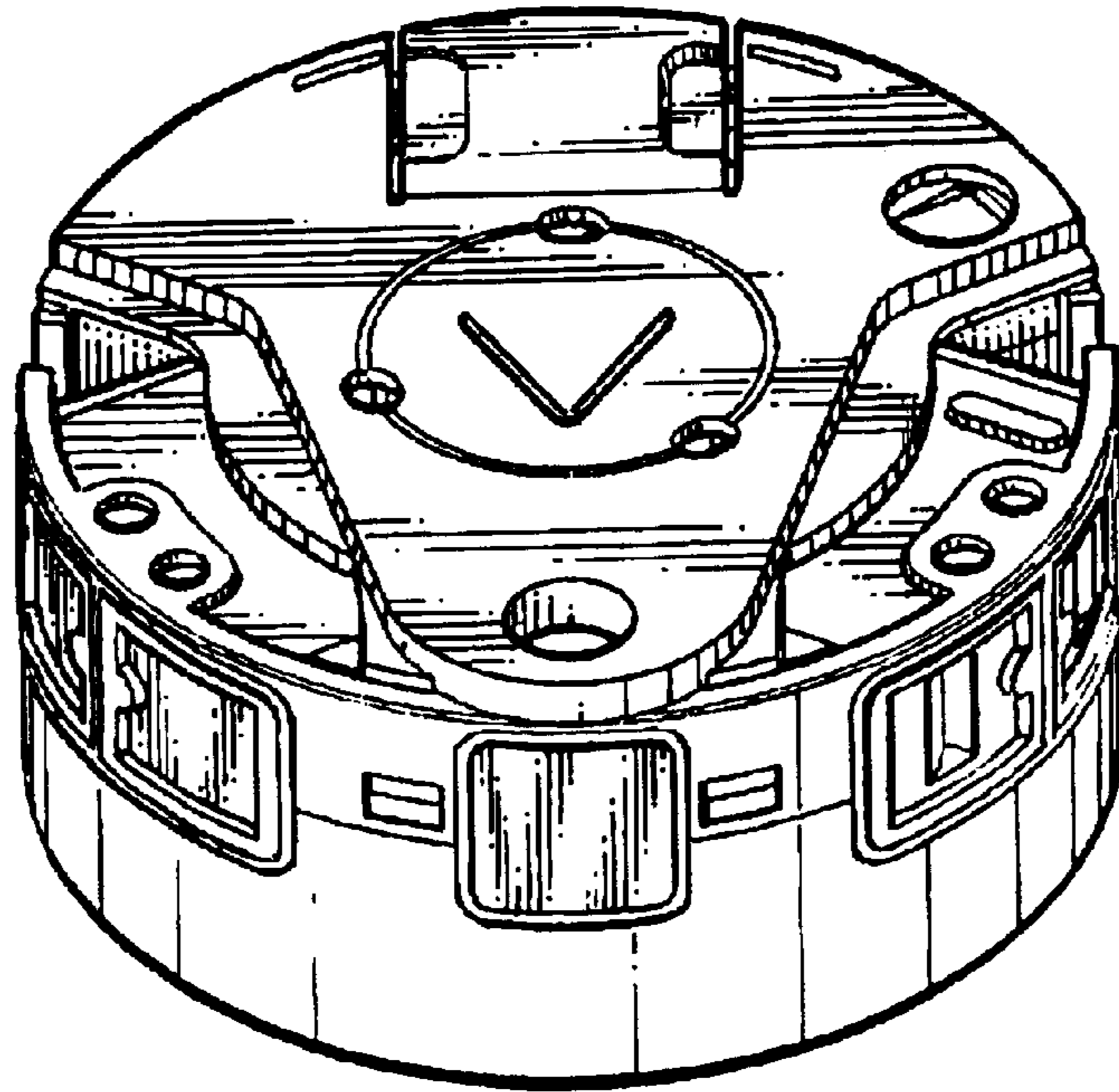


FIG. 1.

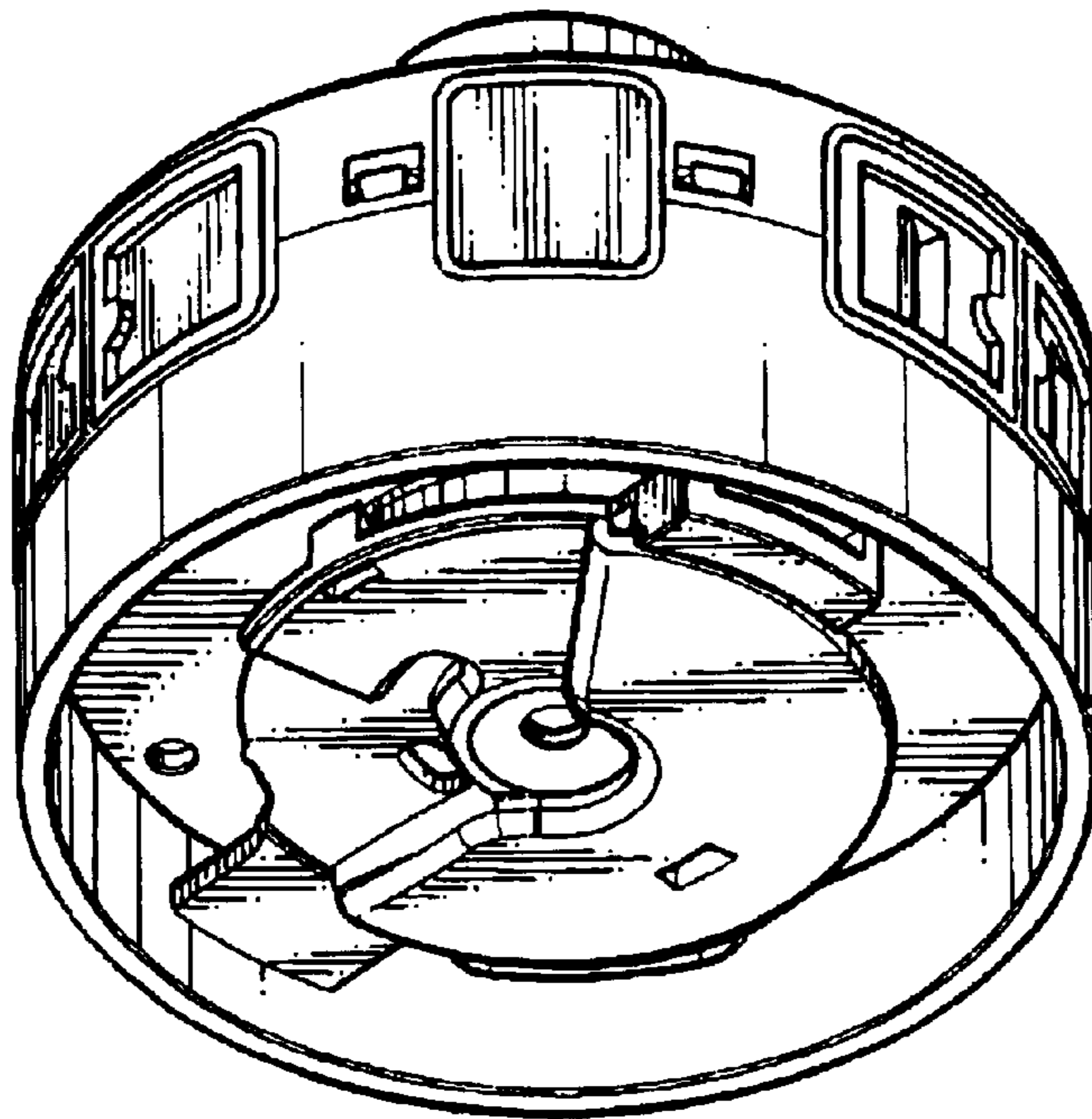


FIG. 2.

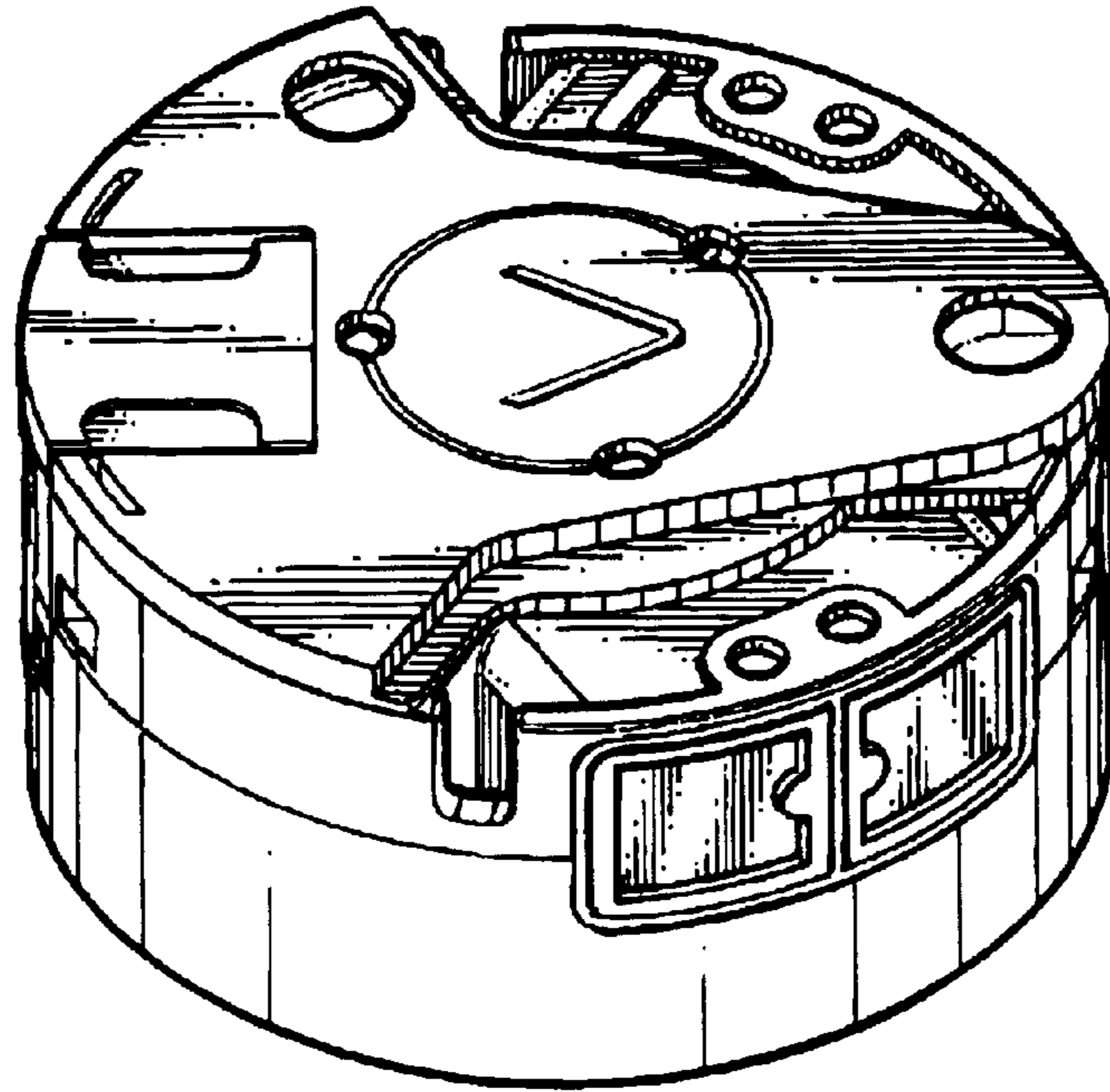


FIG.3.

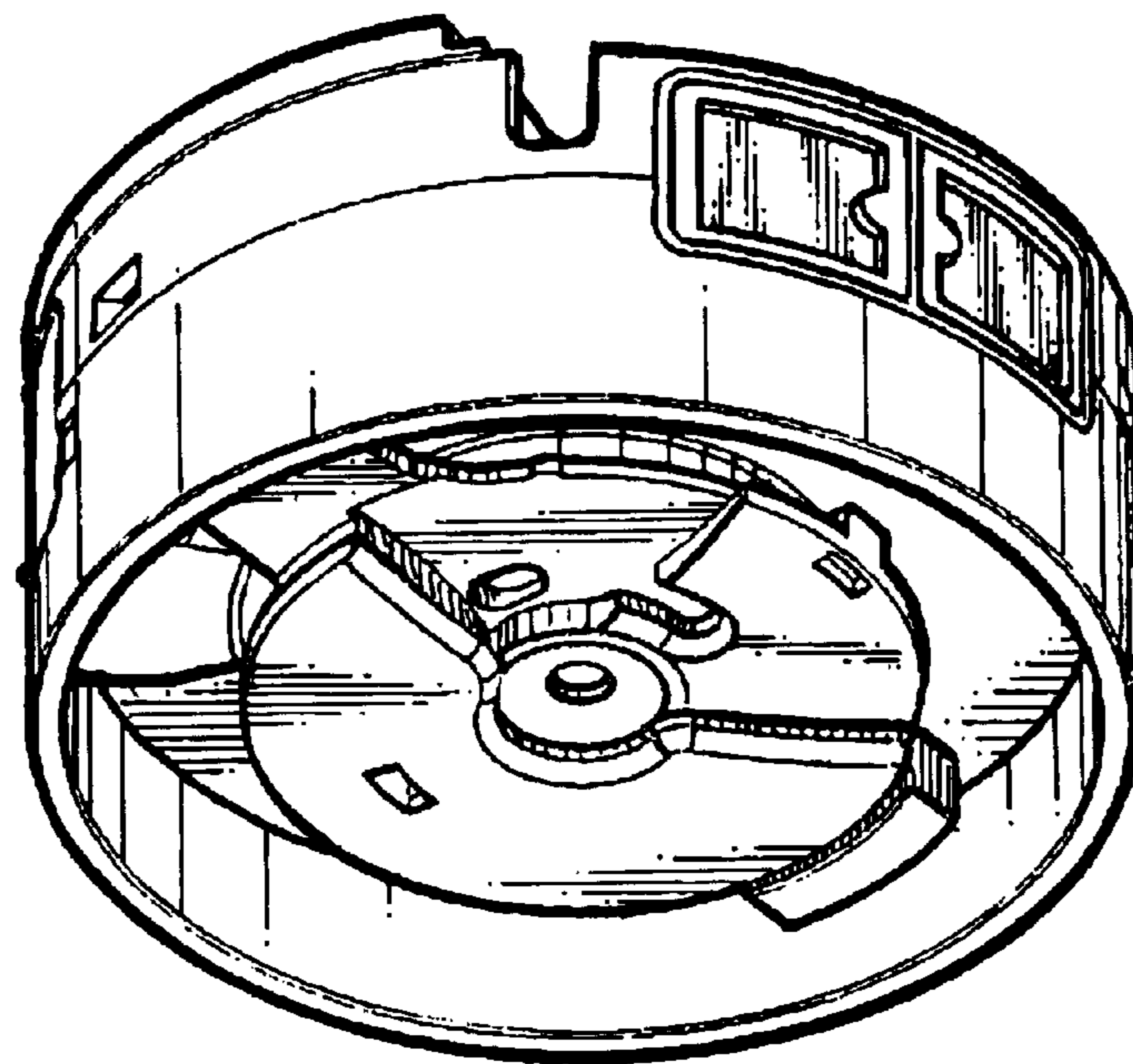


FIG.4.

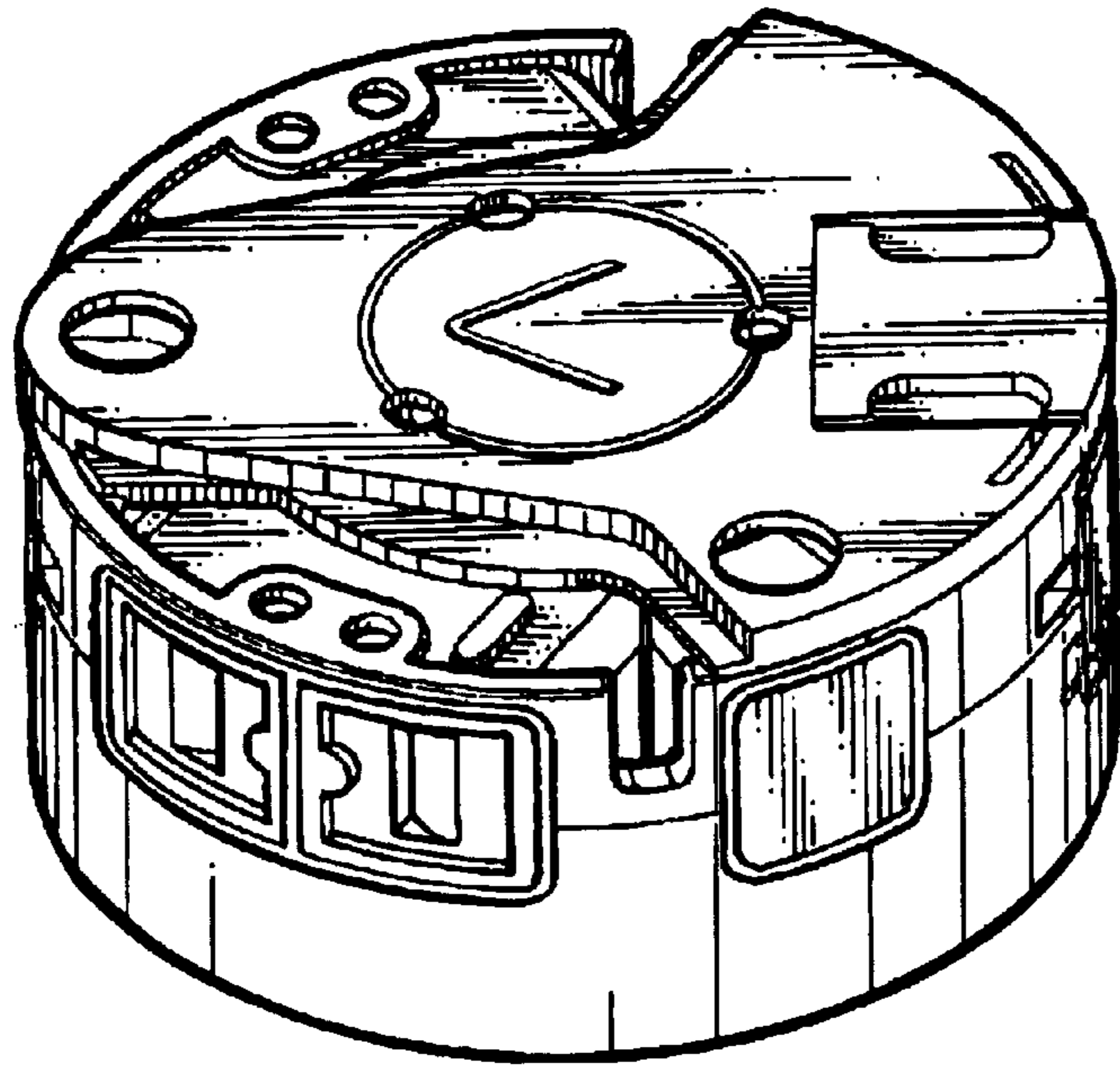


FIG. 5.

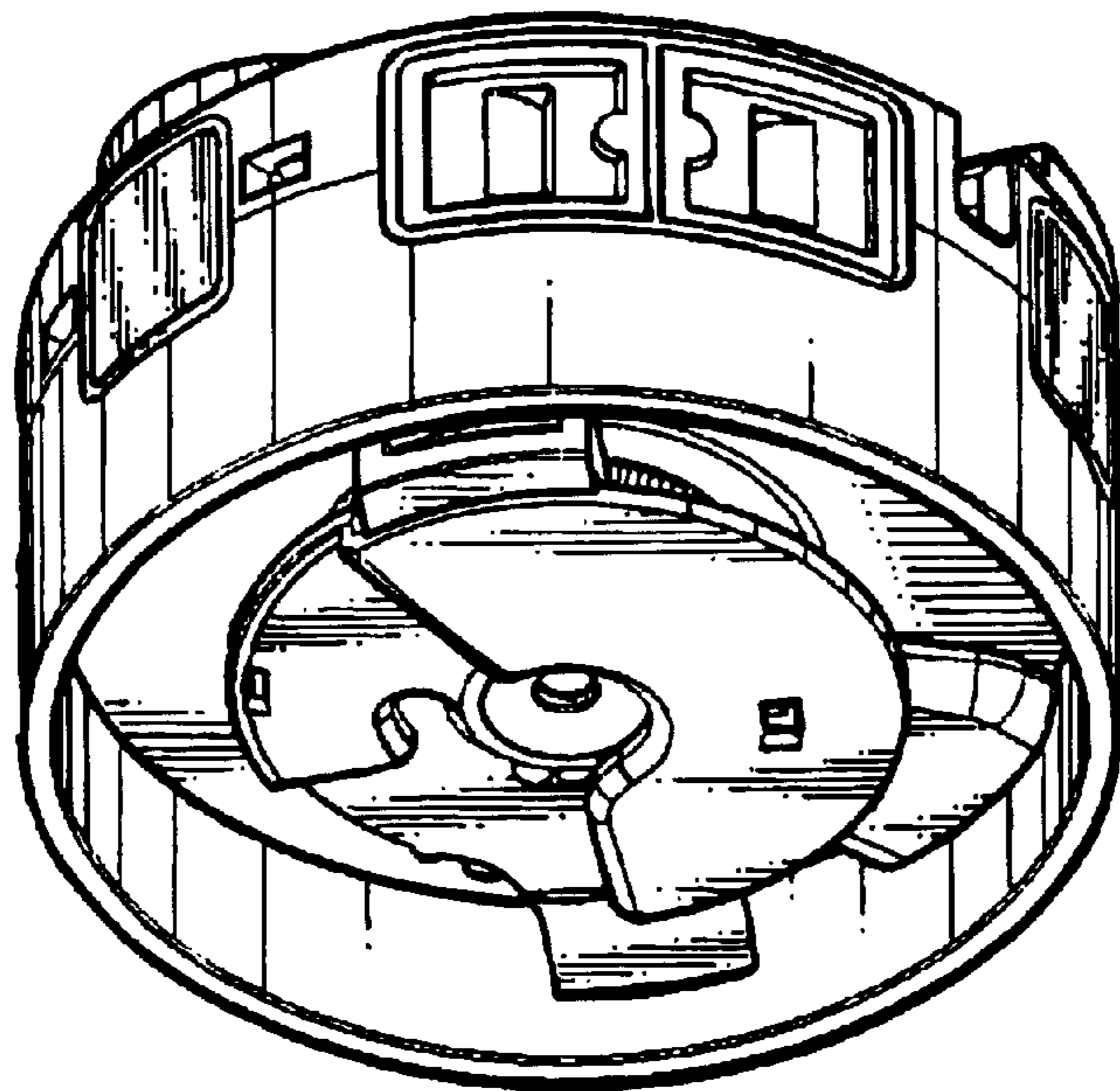


FIG. 6.

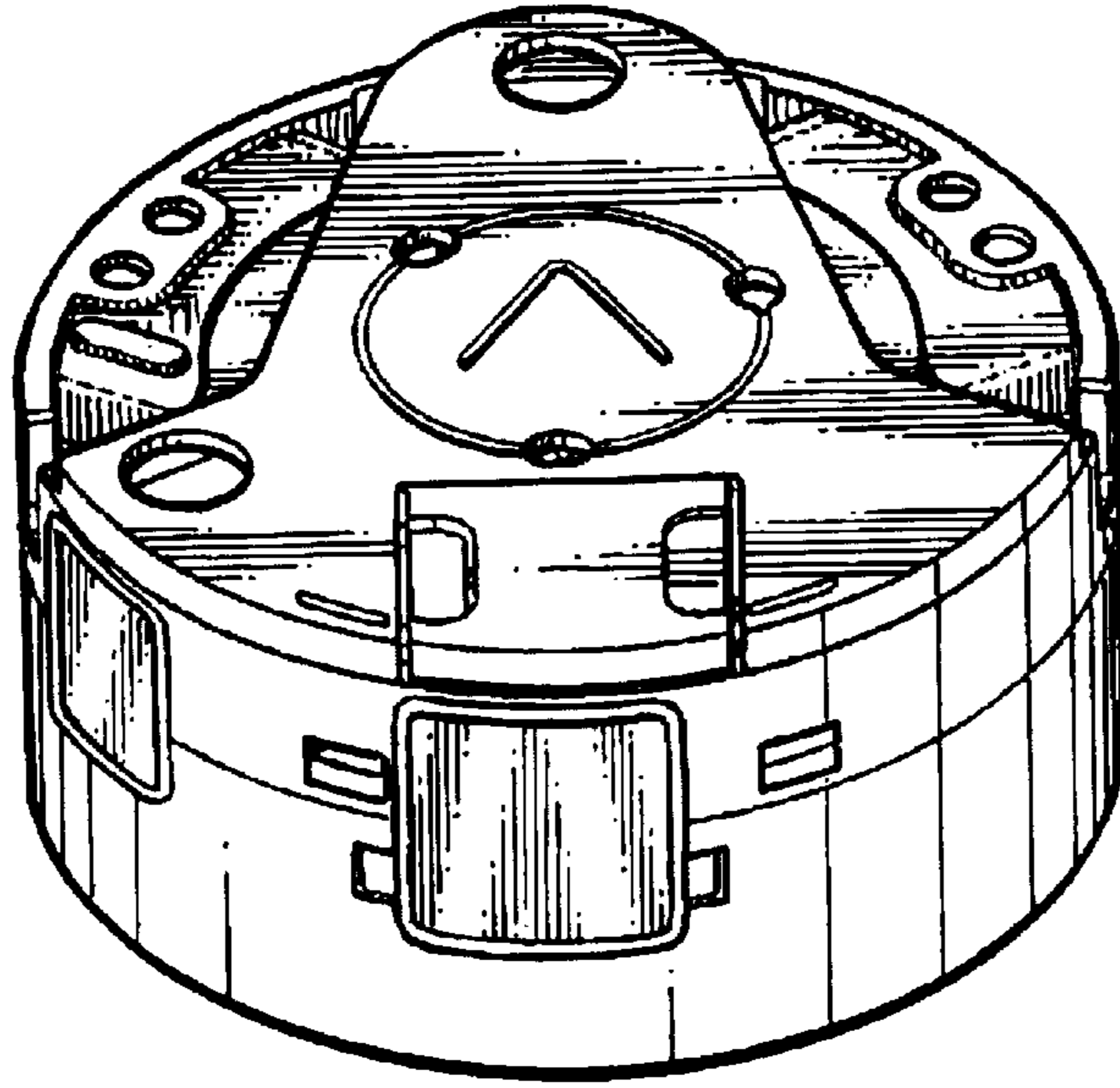


FIG. 7.

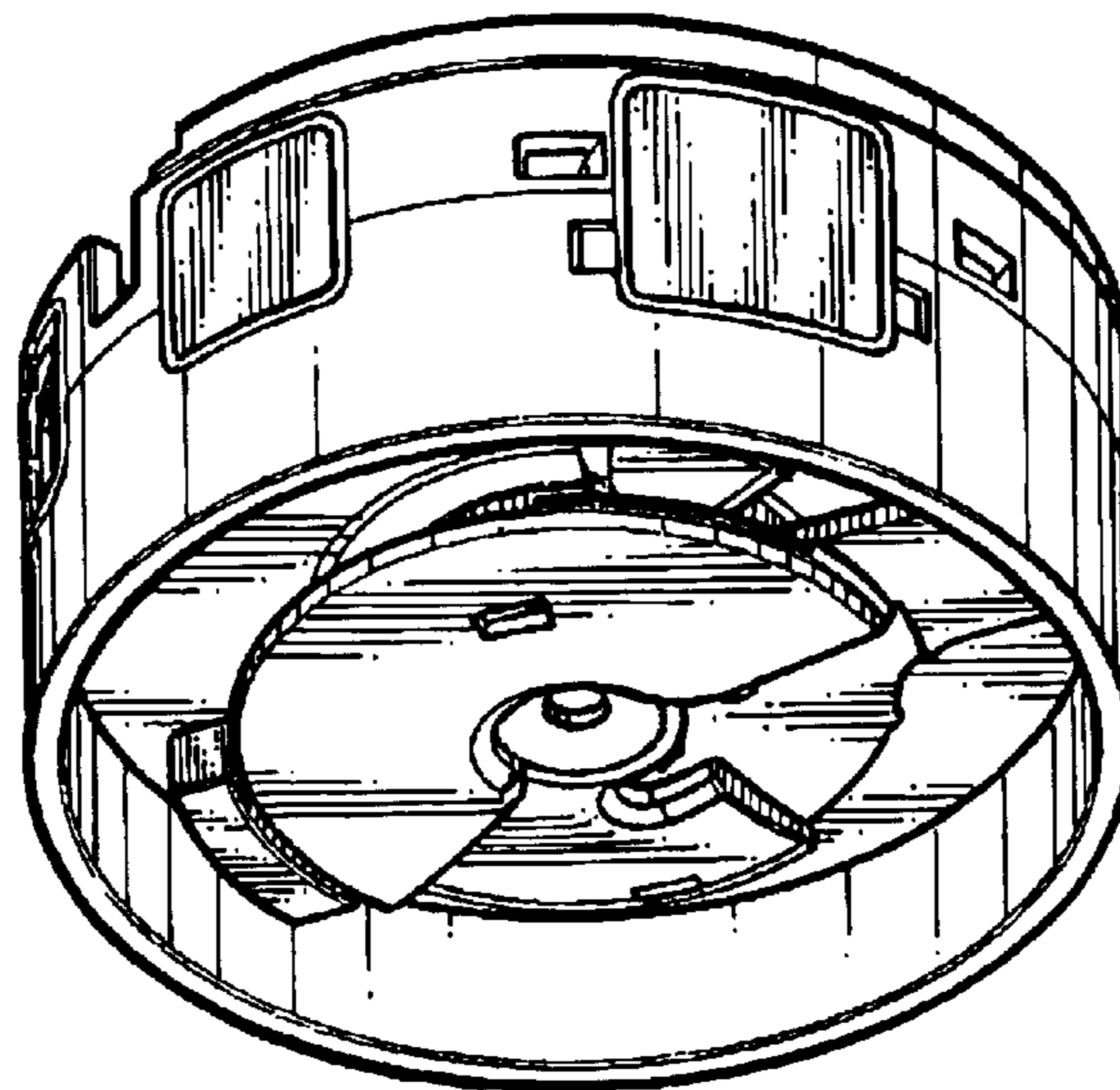


FIG. 8.

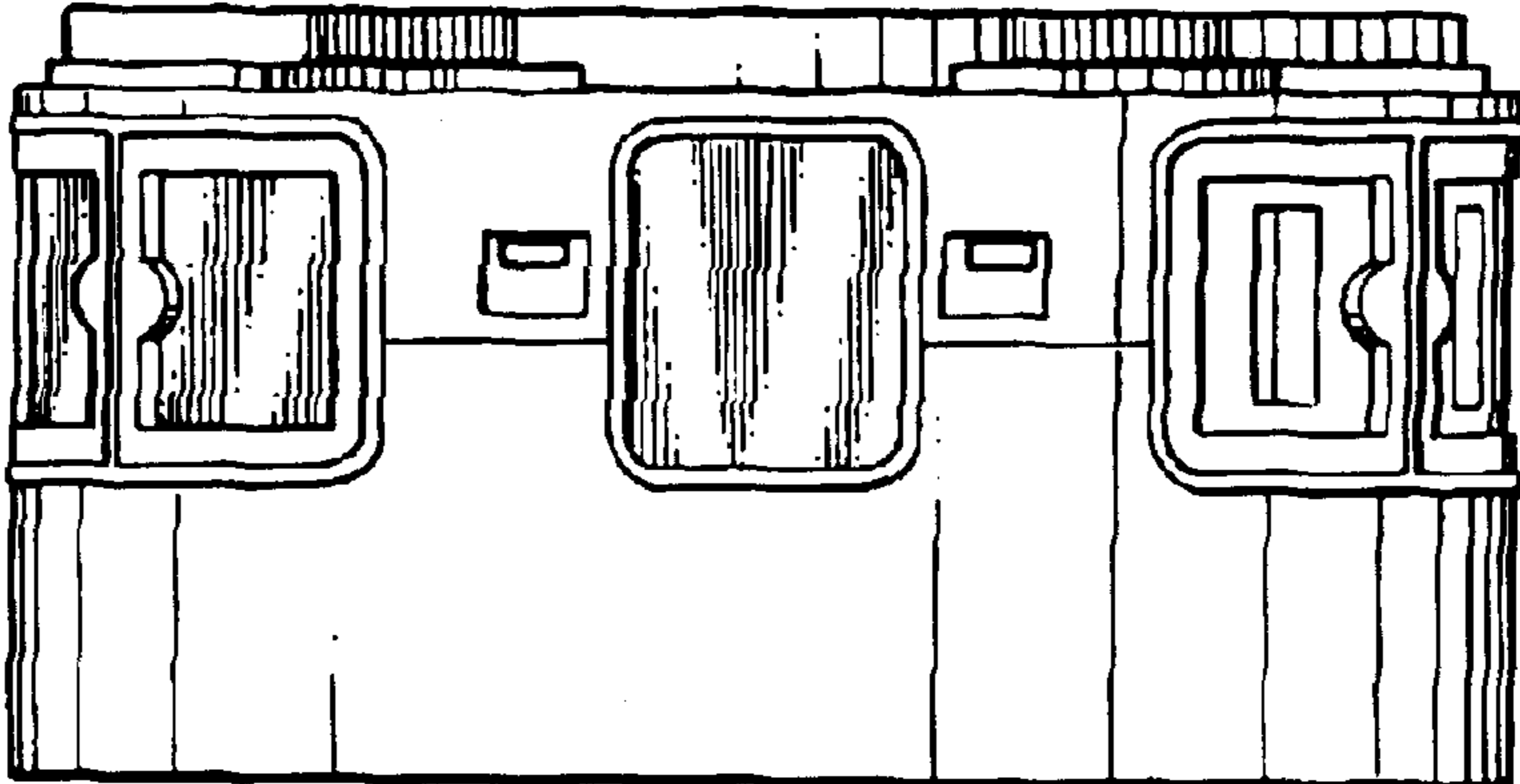


FIG. 9.

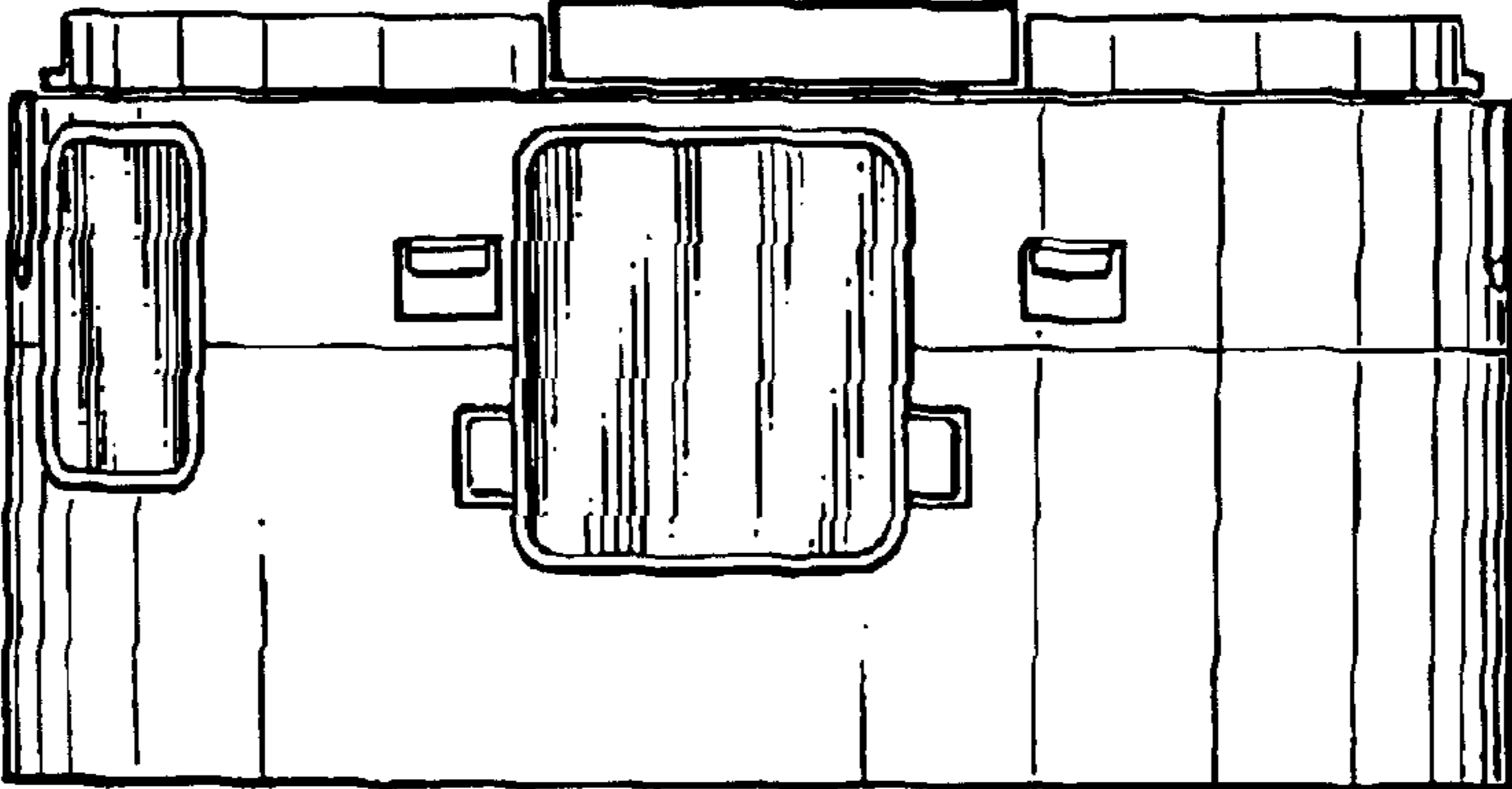


FIG. 10.

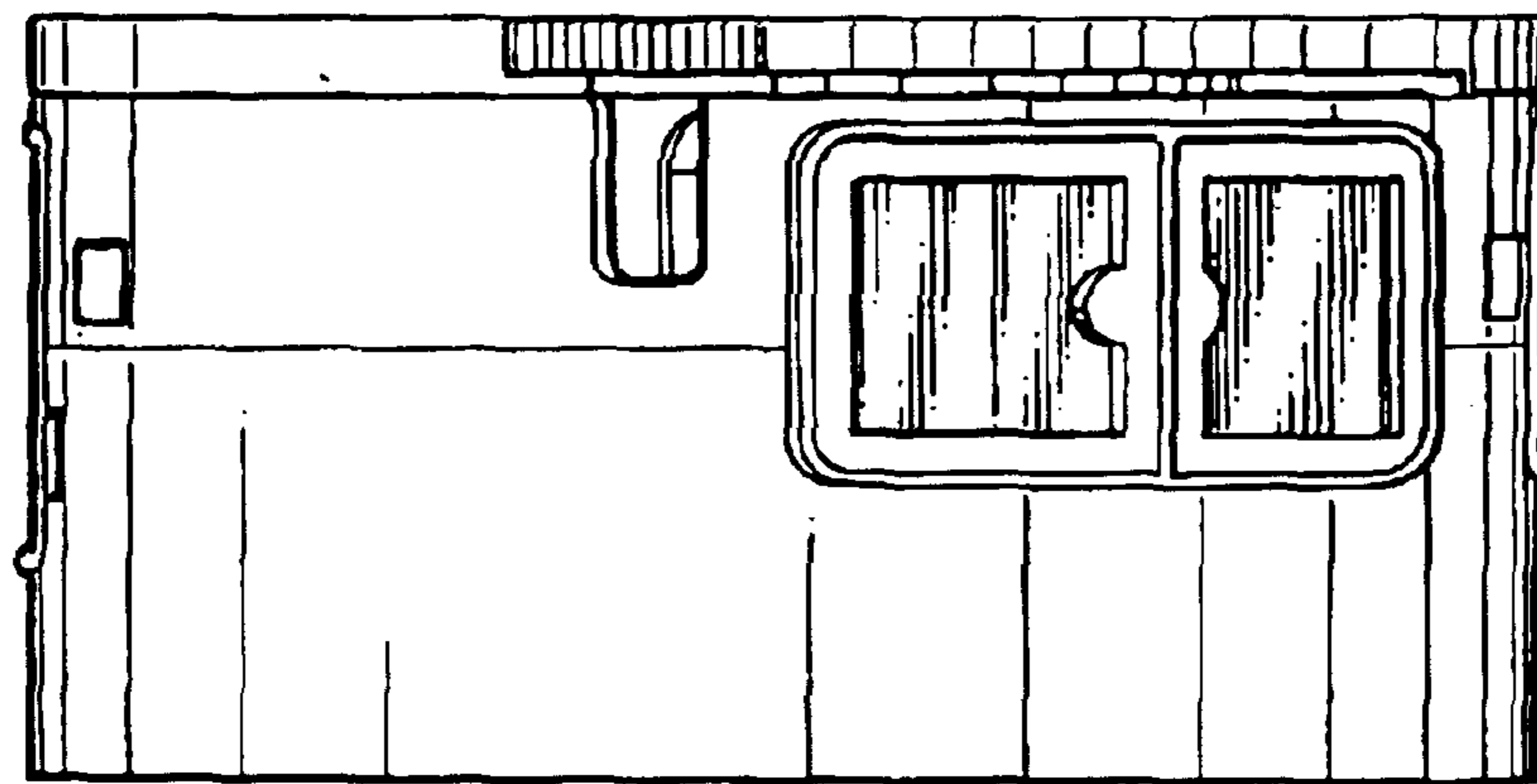


FIG.11.

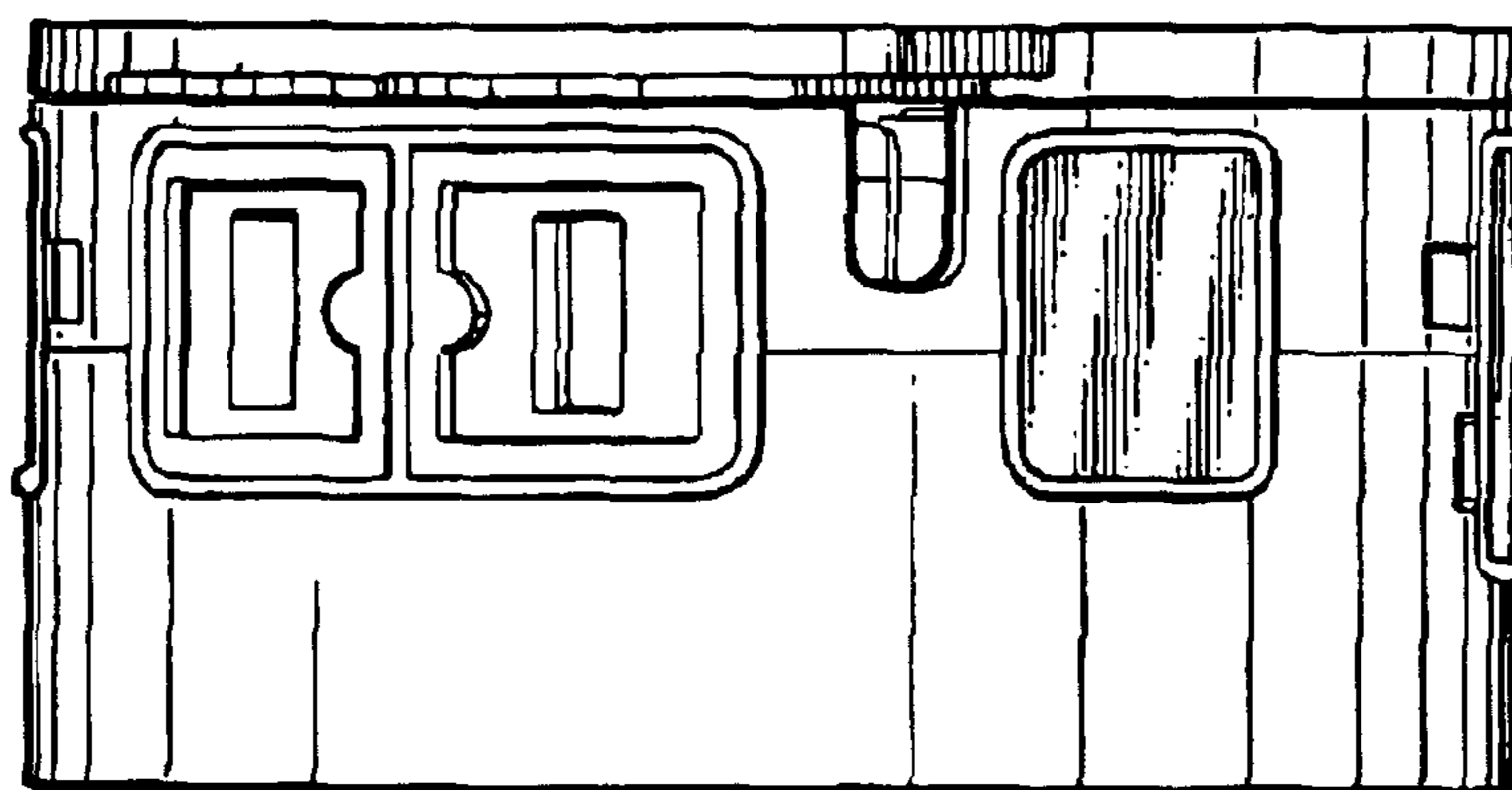


FIG.12.