



US00D514225S

(12) **United States Design Patent** (10) **Patent No.:** **US D514,225 S**
Sassi (45) **Date of Patent:** **** Jan. 31, 2006**

(54) **DROP FOOT AID**

(76) Inventor: **Darlene Sassi**, 7602 Roberts Rd., Fort Pierce, FL (US) 34951

(**) Term: **14 Years**

(21) Appl. No.: **29/186,542**

(22) Filed: **Jul. 18, 2003**

(51) **LOC (8) Cl.** **24-02**

(52) **U.S. Cl.** **D24/192**

(58) **Field of Classification Search** D24/190,
D24/192; 602/5, 23, 28

See application file for complete search history.

(56) **References Cited**

U.S. PATENT DOCUMENTS

2,584,010	A	*	1/1952	Goffredo	602/28
2,663,294	A	*	12/1953	Harrison	602/28
2,949,111	A	*	8/1960	Ruotoistenmaki	602/28
3,527,209	A	*	9/1970	Baker	602/28
4,651,723	A	*	3/1987	Satoh	602/28
5,382,224	A	*	1/1995	Spangler	602/23
D457,639	S	*	5/2002	McCoy	D24/192

* cited by examiner

Primary Examiner—Ian Simmons

(74) *Attorney, Agent, or Firm*—Kevin Redmond

(57) **CLAIM**

I claim the ornamental design for a drop foot aid, as shown and described.

DESCRIPTION

FIG. 1 is a front view calf mounted support strap, shown separated for ease of illustration, in an unwound condition;

FIG. 2 is a front perspective view of the vertical support strap, shown separated for ease of illustration;

FIG. 3 a front view ankle tie-in strap, shown separated for ease of illustration in an unwound condition;

FIG. 4 is a front view of the ring, shown separated for ease of illustration;

FIG. 5 is a front elevational view of the drop foot aid showing my new design, the broken line showing is for illustrative purposes only and forms no part of the claimed design;

FIG. 6 is a side view thereof;

FIG. 7 is a rear elevational view thereof;

FIG. 8 is another side elevational view thereof;

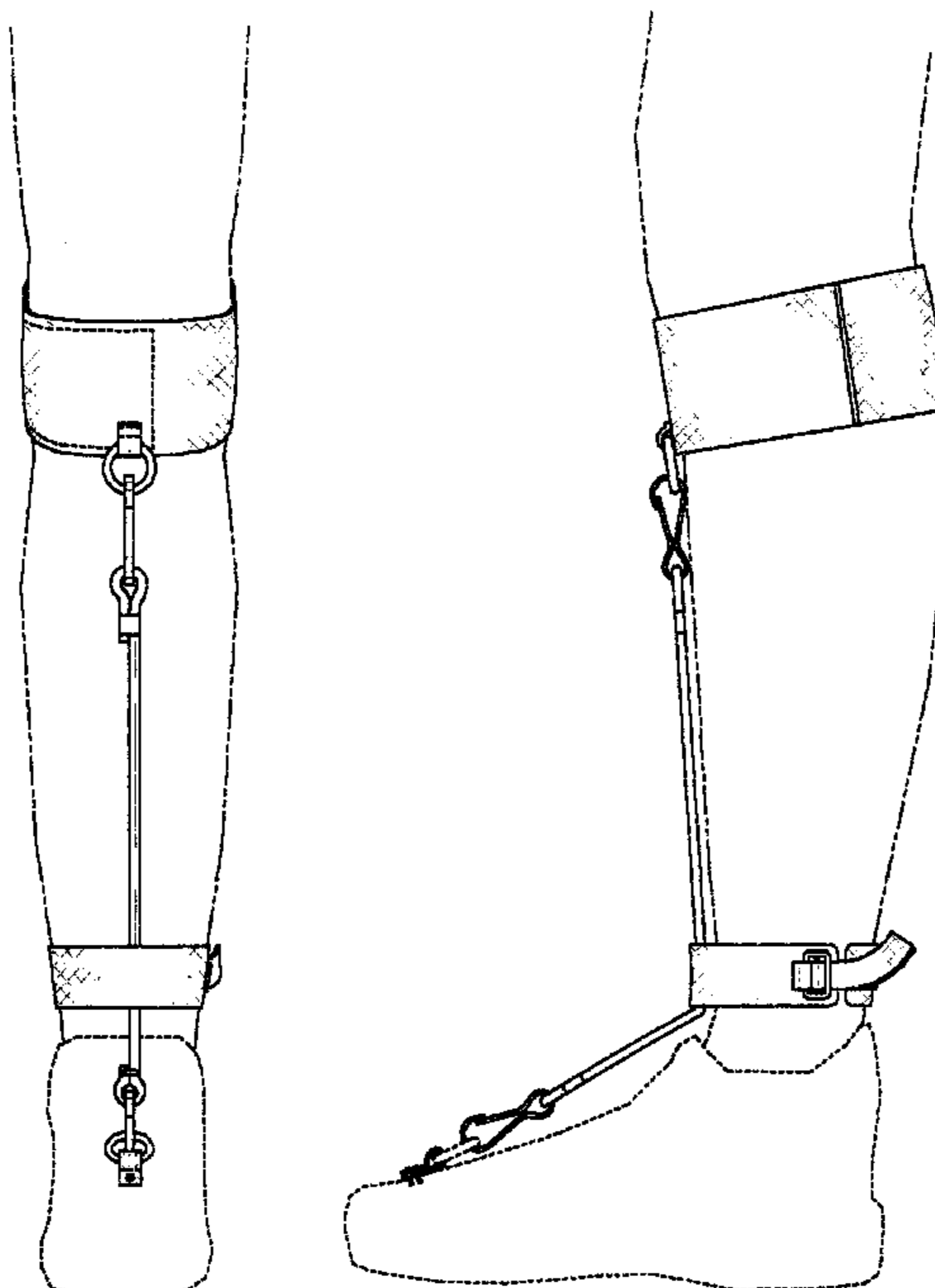
The broken line in any of the following Figures is for illustrates purposes only and forms no part of the claimed design.

FIG. 9 is a top plan view of the calf mounted support strap of FIG. 1;

FIG. 10 is a top plan view of the ankle tie-in strap of FIG. 2; and,

FIG. 11 is a side view of the ring of FIG. 4.

1 Claim, 3 Drawing Sheets



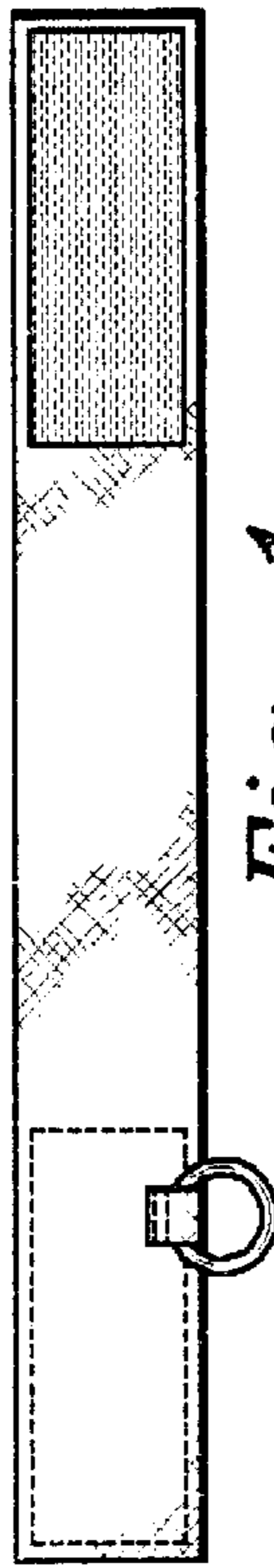
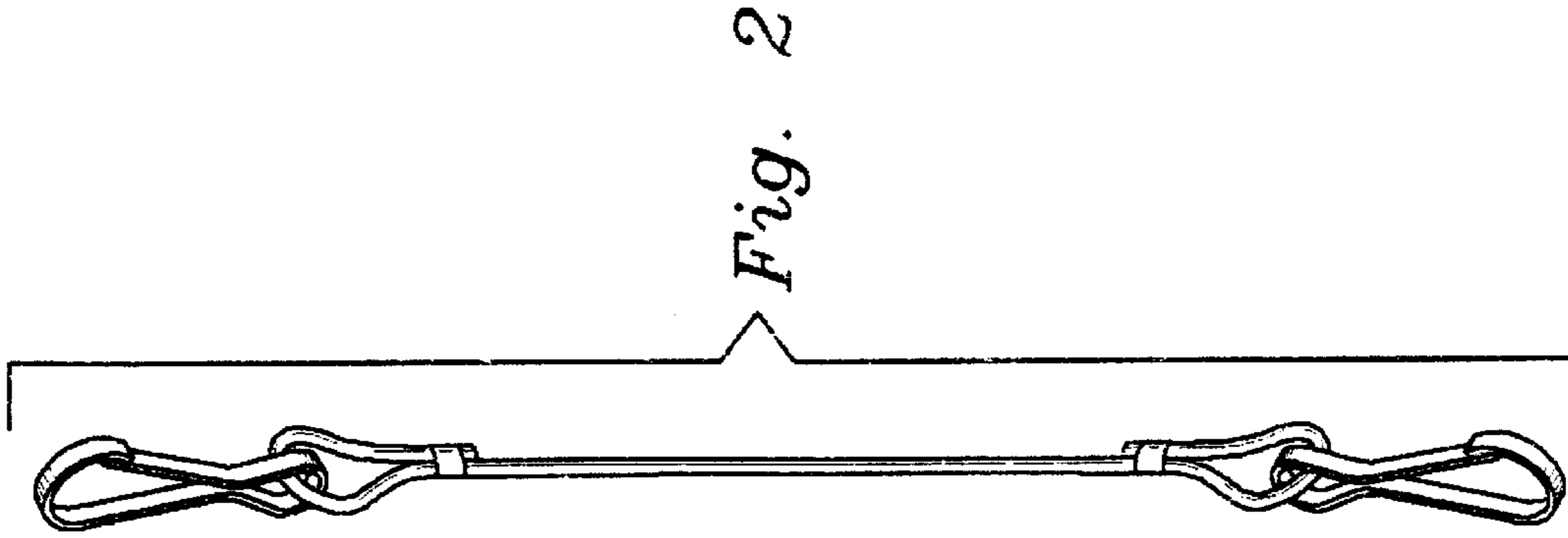


Fig. 1



Fig. 9



Fig. 3



Fig. 10

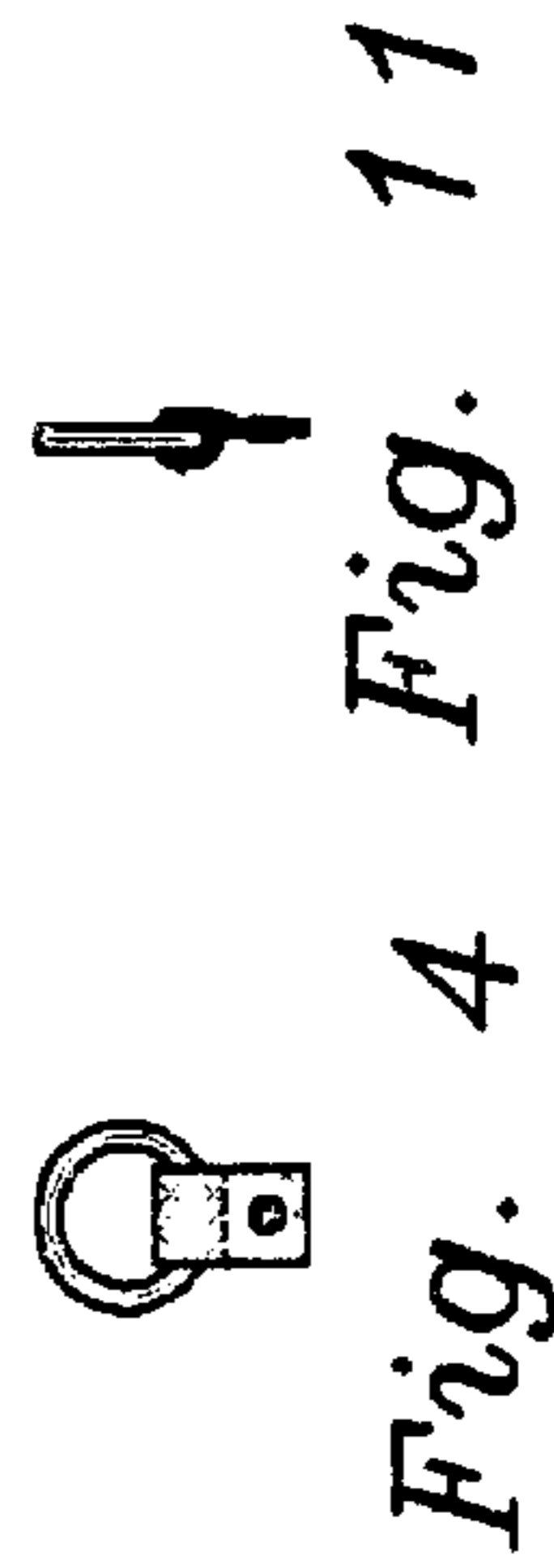


Fig. 4 Fig. 11

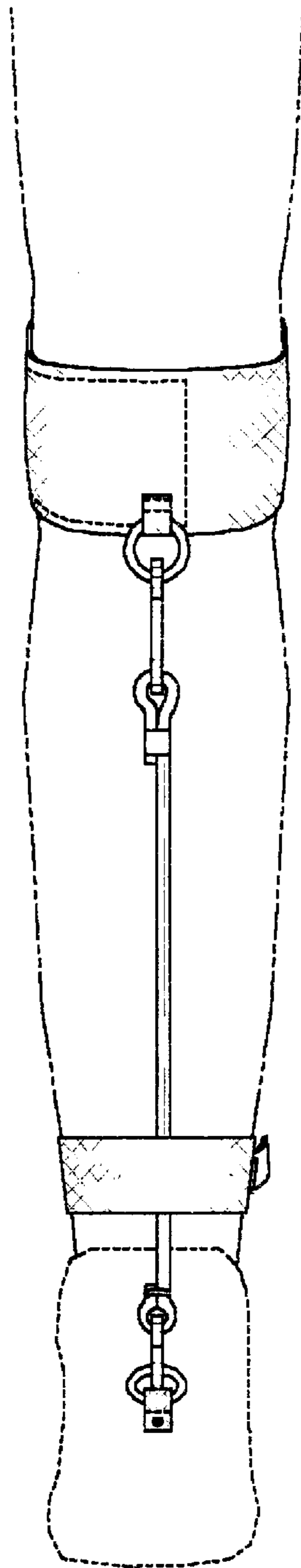


Fig. 5

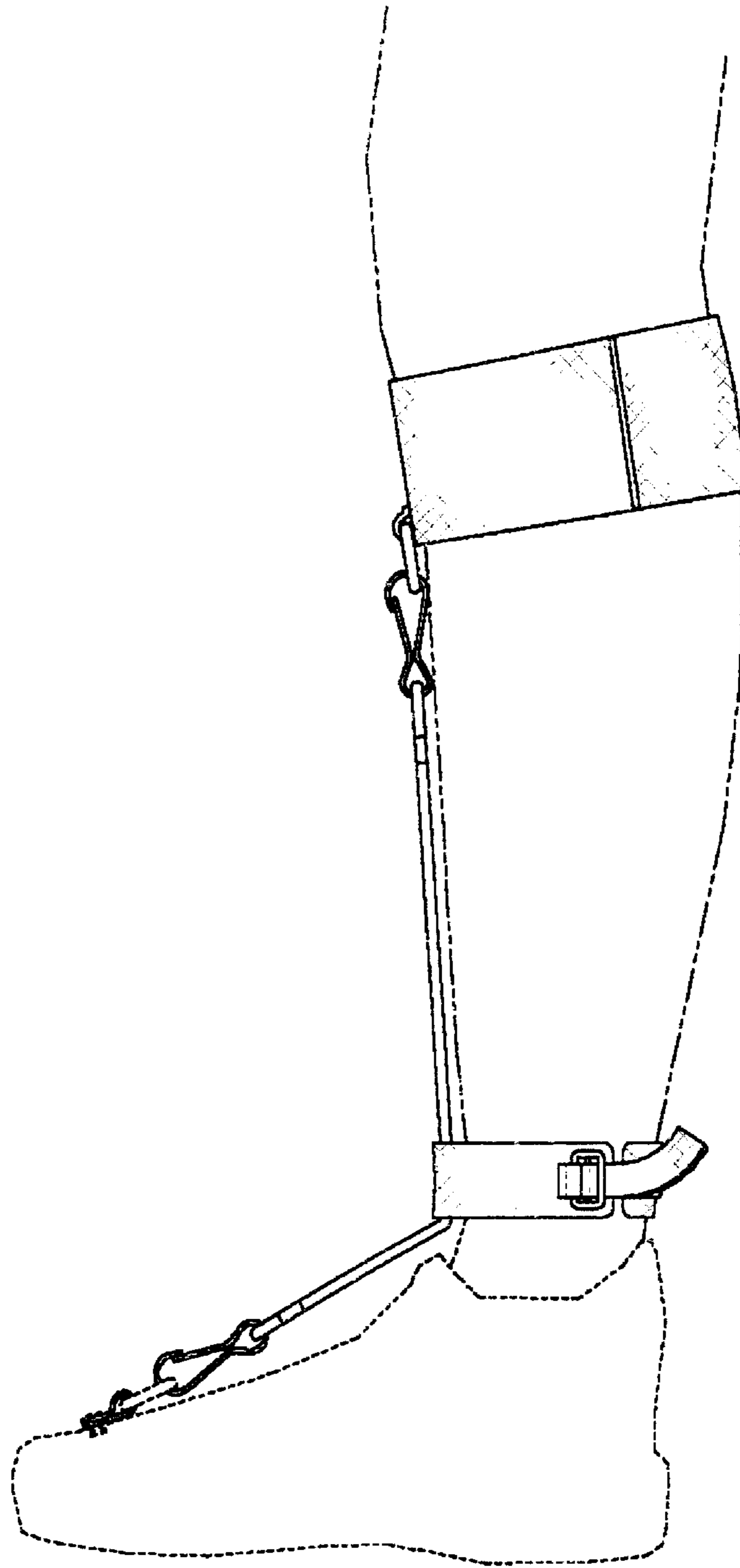


Fig. 6

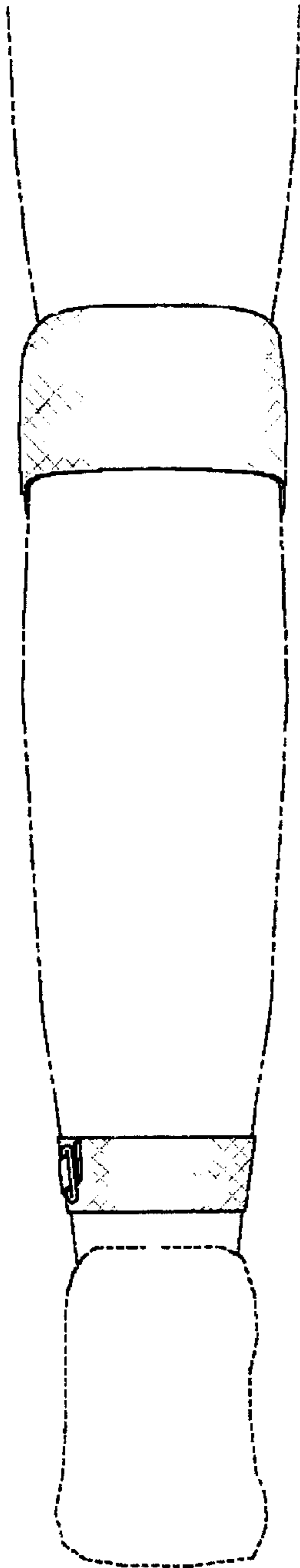


Fig. 7

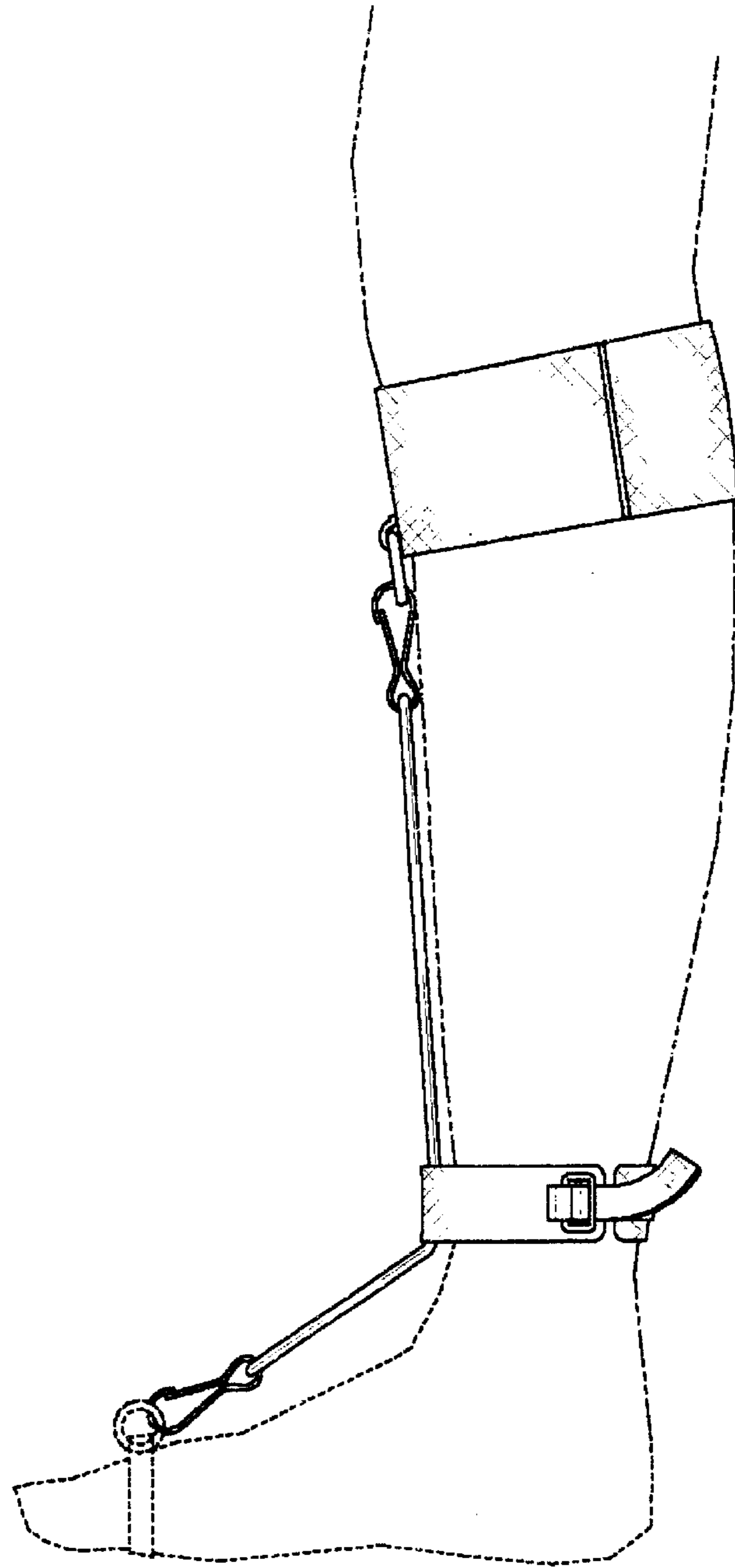


Fig. 8