



US00D514220S

(12) **United States Design Patent** (10) **Patent No.:** **US D514,220 S**
Tai (45) **Date of Patent:** **** Jan. 31, 2006**

(54) **FAN BLADE BRACKET**

(76) Inventor: **David Tai**, 19507 N. 65th Ave.,
Glendale, AZ (US) 85308

(**) Term: **14 Years**

(21) Appl. No.: **29/190,879**

(22) Filed: **Sep. 26, 2003**

(51) **LOC (8) Cl.** **23-04**

(52) **U.S. Cl.** **D23/411**

(58) **Field of Classification Search** D23/411,
D23/413, 385, 377, 379; 416/5, 210 R
See application file for complete search history.

(56) **References Cited**

U.S. PATENT DOCUMENTS

D481,455 S	*	10/2003	Young	D23/411
D489,811 S	*	5/2004	Hsieh	D23/411
D490,512 S	*	5/2004	Campbell	D23/411

* cited by examiner

Primary Examiner—Lisa Lichtenstein

(74) *Attorney, Agent, or Firm*—Parsons & Goltry; Michael
W. Goltry; Robert A. Parsons

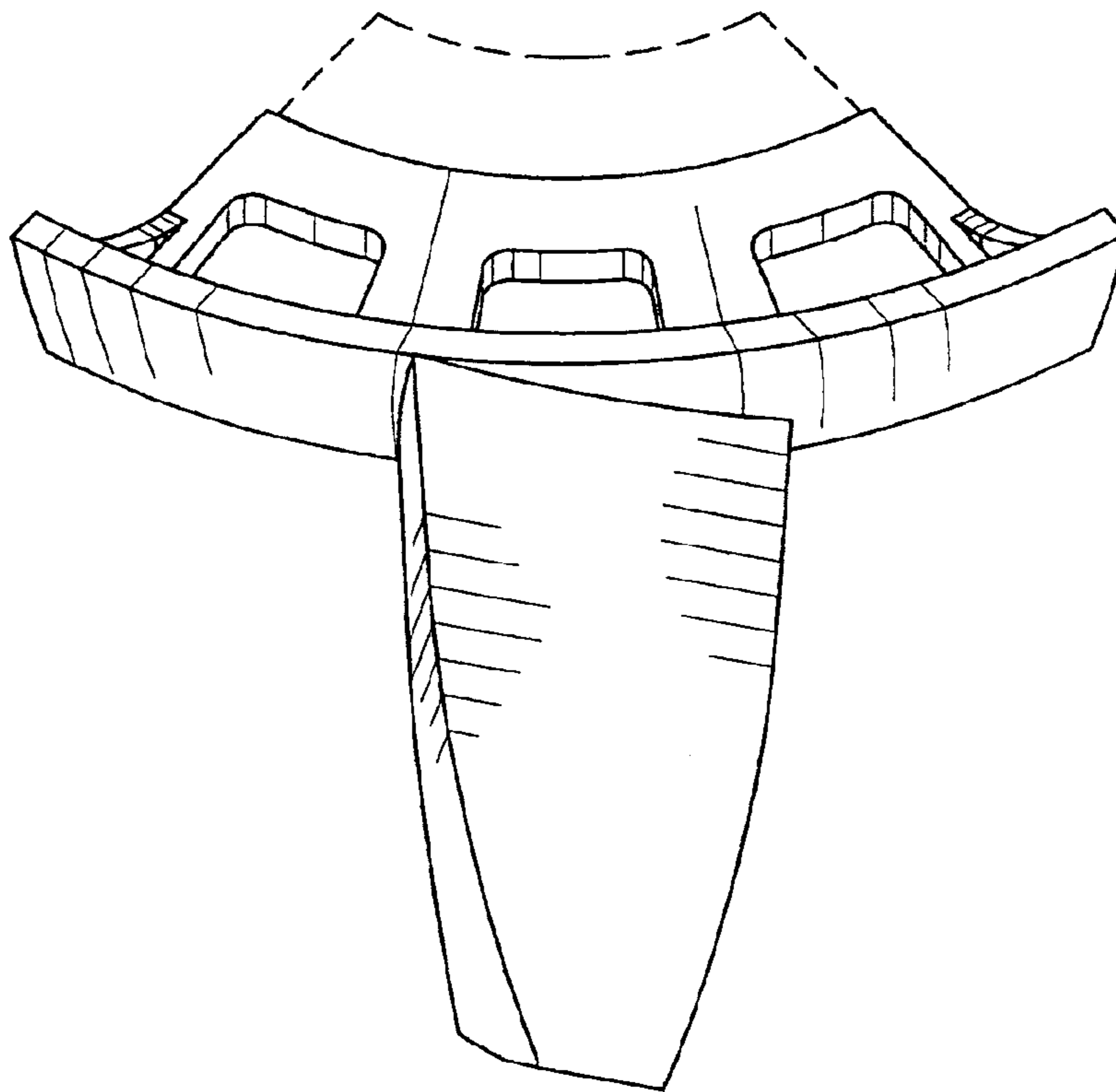
(57) **CLAIM**

The ornamental design for a fan blade bracket, as shown and described.

DESCRIPTION

FIG. 1 is a top perspective view of a fan blade bracket showing my new design;
 FIG. 2 is a bottom perspective view thereof;
 FIG. 3 is a bottom plan view thereof;
 FIG. 4 is a top plan view thereof;
 FIG. 5 is a right side elevational view thereof;
 FIG. 6 is a left side elevational view thereof;
 FIG. 7 is a front elevational view thereof; and,
 FIG. 8 is a rear elevational view thereof.
 The broken lines in the views show environmental features, which are for illustrative purposes only and form no part of the claimed design.

1 Claim, 3 Drawing Sheets



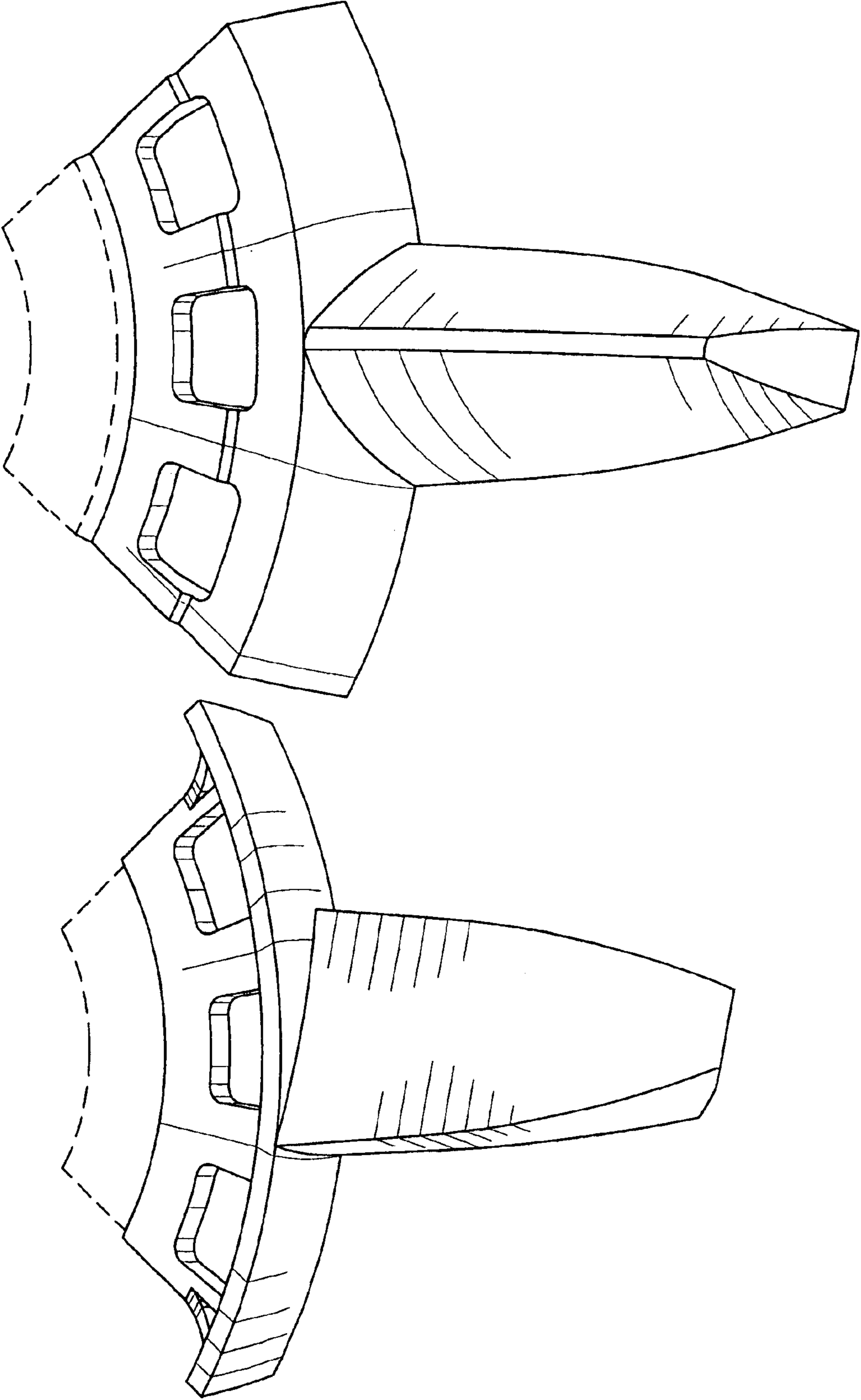


FIG. 2

FIG. 1

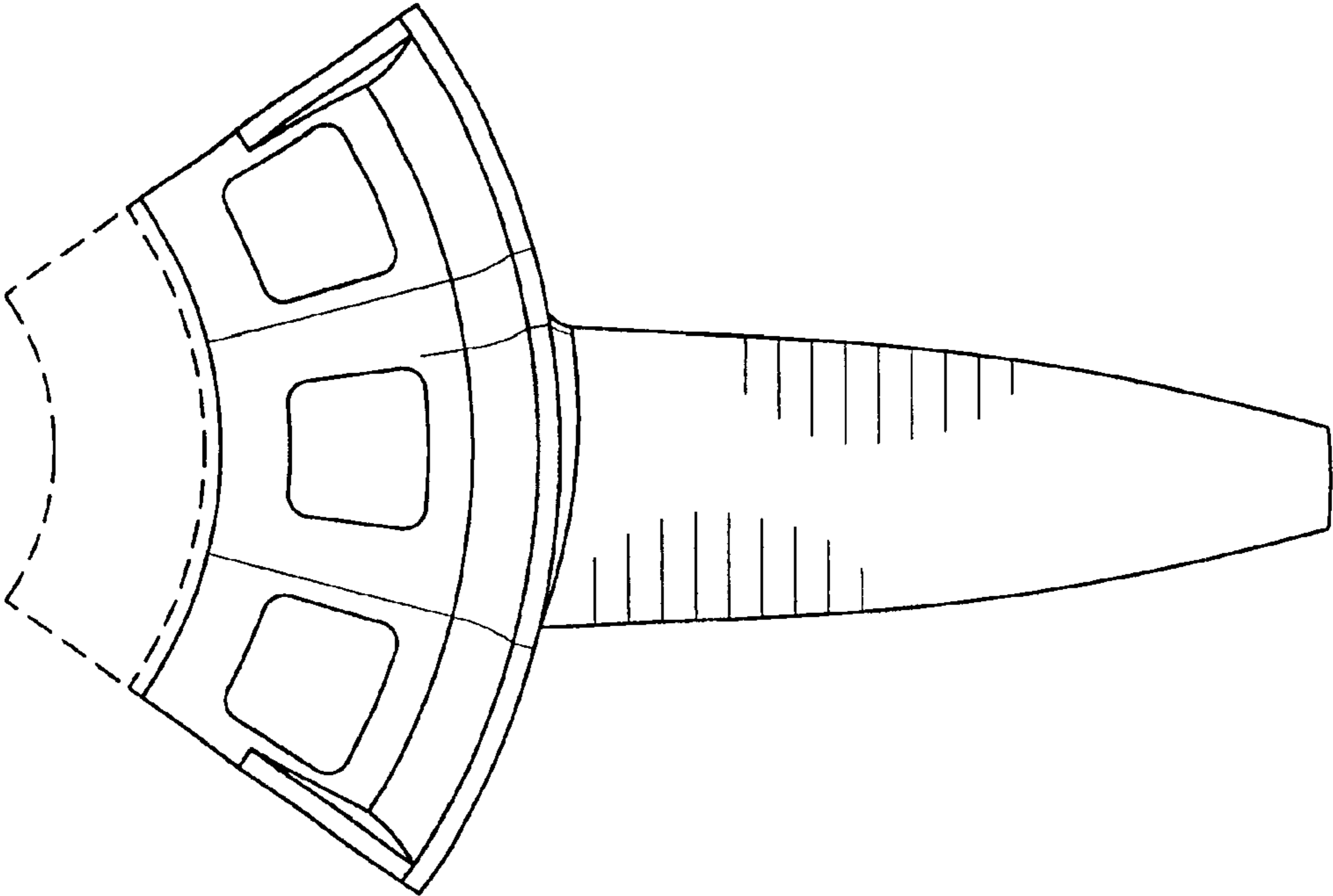


FIG. 4

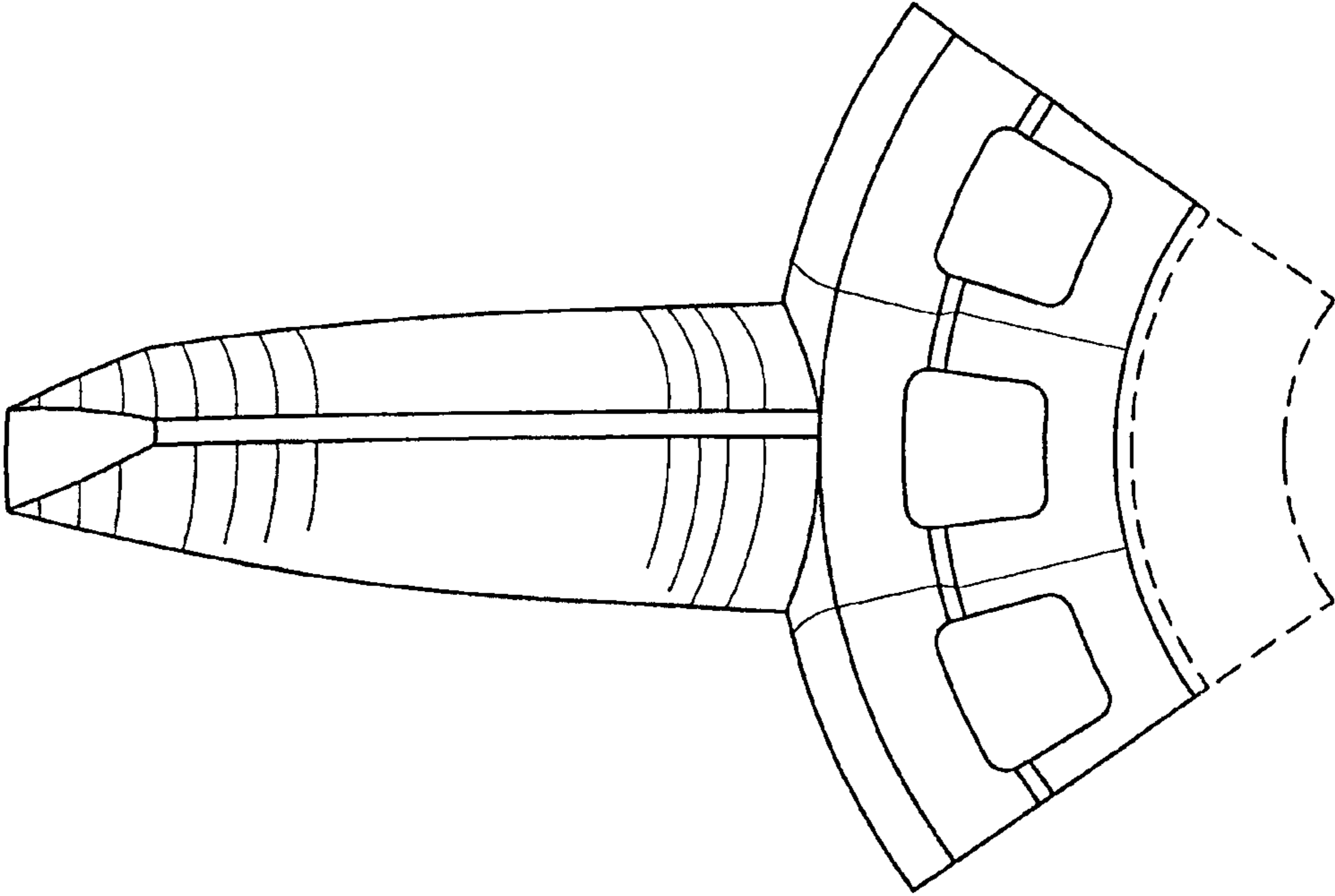


FIG. 3

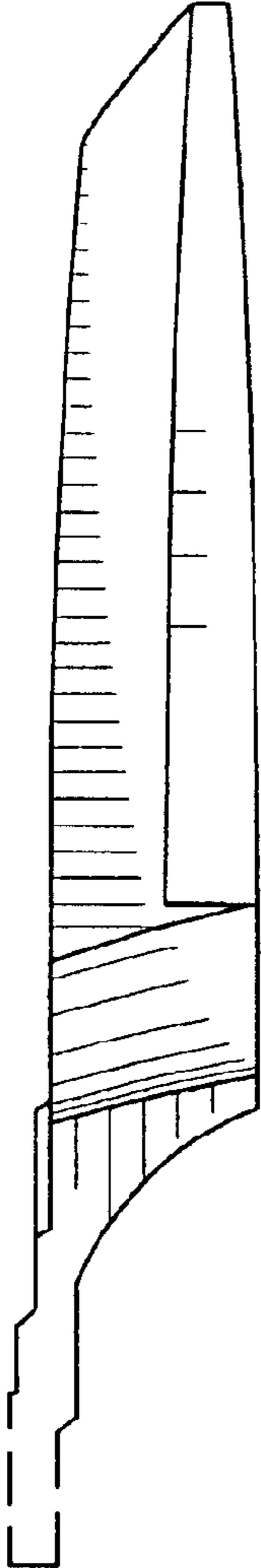


FIG. 5

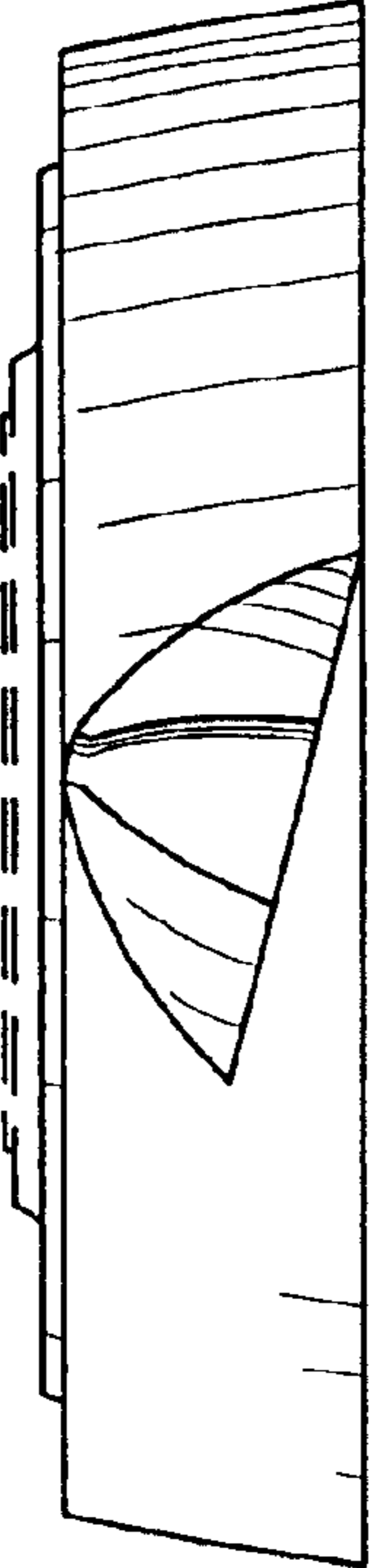


FIG. 7

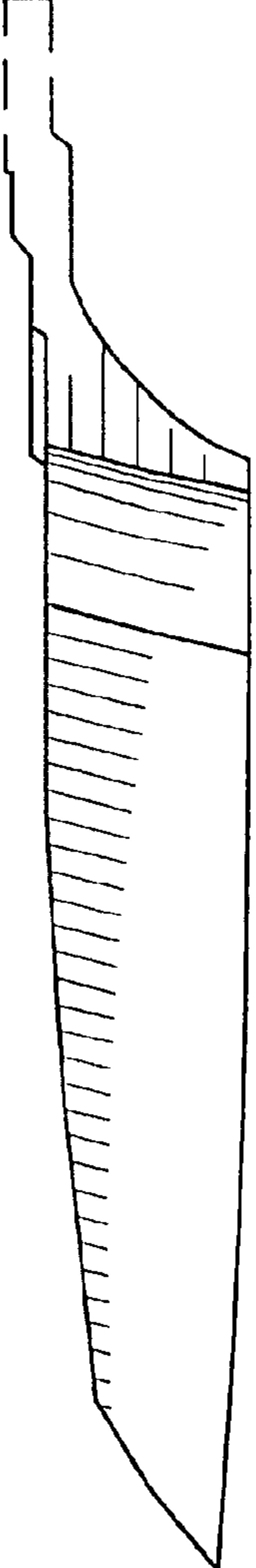


FIG. 6

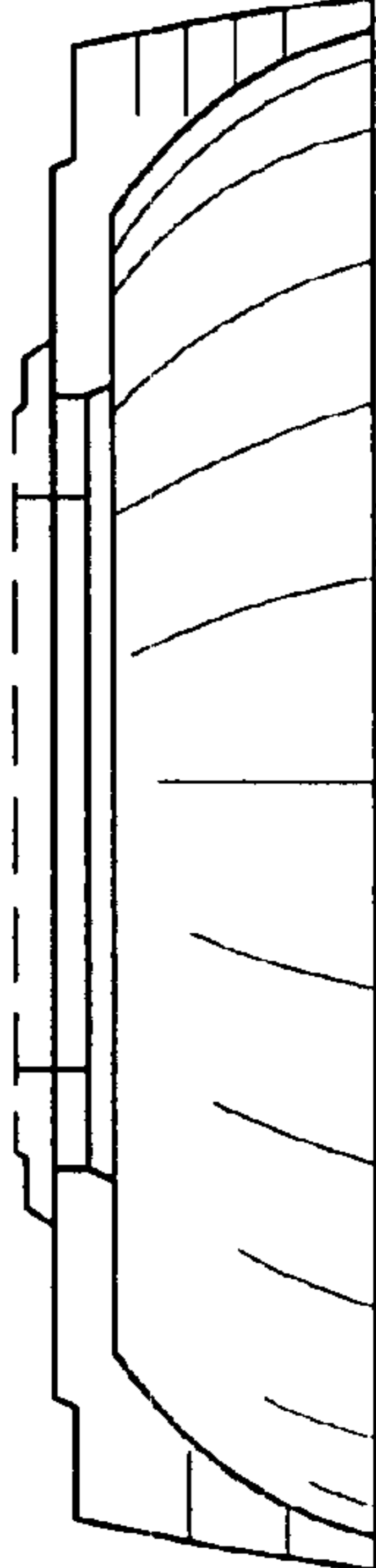


FIG. 8

UNITED STATES PATENT AND TRADEMARK OFFICE
CERTIFICATE OF CORRECTION

PATENT NO. : Des. 514,220 S
DATED : January 31, 2006
INVENTOR(S) : Mark Pickett

Page 1 of 1

It is certified that error appears in the above-identified patent and that said Letters Patent is hereby corrected as shown below:

Title page.

Item [75], Inventor, should read -- **Mark Pickett** --.

Signed and Sealed this

Twenty-fifth Day of April, 2006

A handwritten signature in black ink on a light gray dotted background. The signature reads "Jon W. Dudas" in a cursive style.

JON W. DUDAS

Director of the United States Patent and Trademark Office