



US00D514216S

(12) **United States Design Patent**
Hidalgo

(10) **Patent No.:** **US D514,216 S**
(45) **Date of Patent:** **** Jan. 31, 2006**

- (54) **CEILING FAN**
- (75) Inventor: **Rolando Hidalgo**, Orange, CA (US)
- (73) Assignee: **Minka Lighting, Inc.**, Corona, CA (US)
- (**) Term: **14 Years**
- (21) Appl. No.: **29/207,122**
- (22) Filed: **Jun. 8, 2004**

Minka Aire 2004; pp. 16–17, Jan. 2004, Minka Lighting, Inc. USA.

* cited by examiner

Primary Examiner—Lisa Lichtenstein
(74) *Attorney, Agent, or Firm*—Baker & McKenzie LLP

(57) **CLAIM**

The ornamental design for the ceiling fan, as shown and described.

DESCRIPTION

- (51) **LOC (8) Cl.** **23-04**
- (52) **U.S. Cl.** **D23/377**
- (58) **Field of Classification Search** D23/377, D23/379, 385, 413, 411; 416/5; D26/59, D26/51, 81–86, 88, 72; 392/364; 362/96
See application file for complete search history.

FIG. 1 is a perspective view from below of a ceiling fan in accordance with my design;
 FIG. 2 is an enlarged perspective view from below of the ceiling fan in accordance with my design;
 FIG. 3 is a reduced bottom plan view of the ceiling fan in accordance with my design;
 FIG. 4 is a reduced top plan view of the ceiling fan in accordance with my design;
 FIG. 5 is a front elevation view of the ceiling fan in accordance with my design; and,
 FIG. 6 is a side elevation view of the ceiling fan in accordance with my design.
 FIGS. 5 and 6 are identical except for the positioning of the fan blades.

The broken lines showing environmental structure are for illustrative purposes and form no part of the claimed design. In FIG. 2, the fan blades are shown broken away to indicate indeterminate length.

(56) **References Cited**

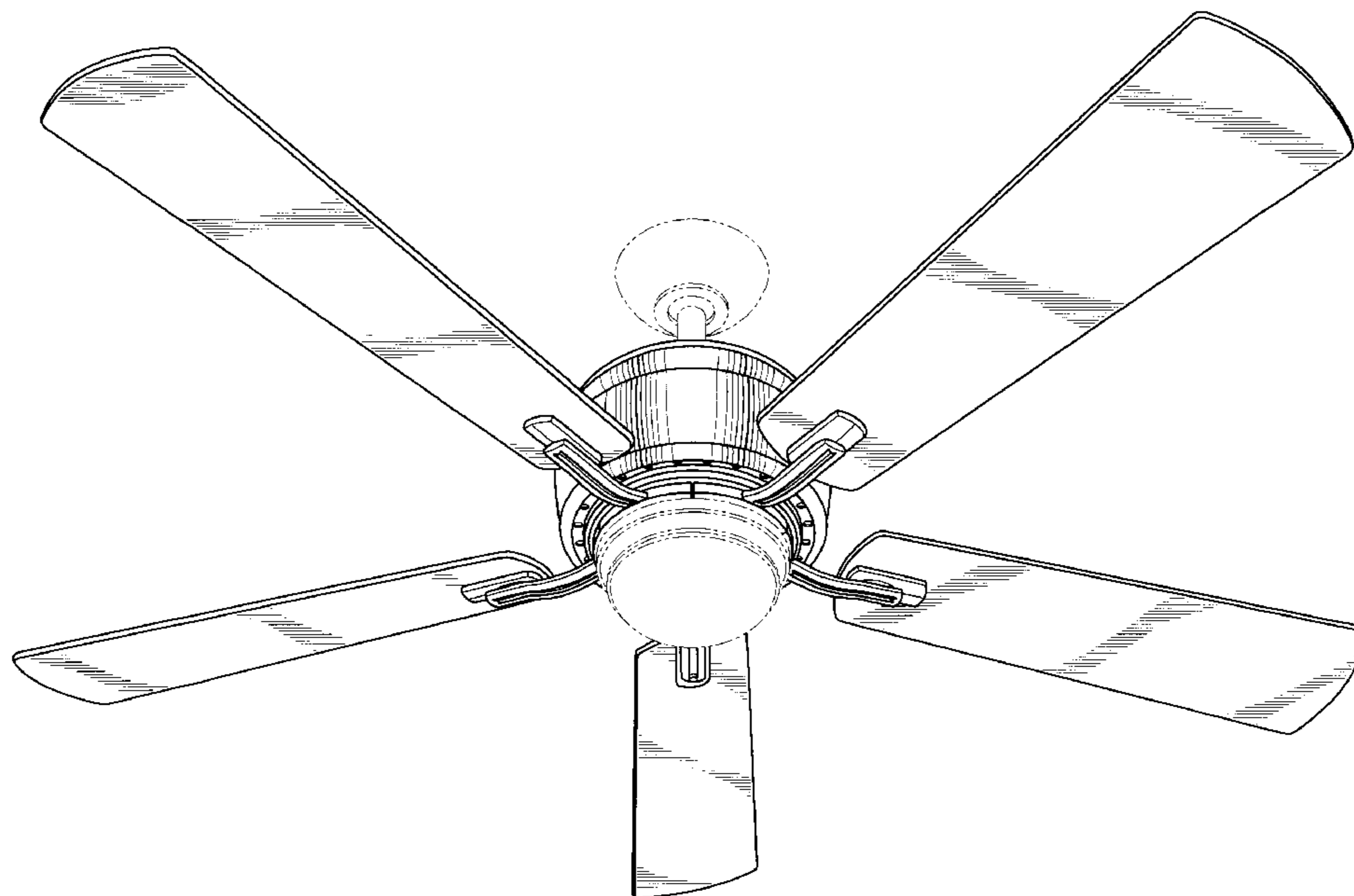
U.S. PATENT DOCUMENTS

- D428,983 S * 8/2000 Lee D23/377
- D476,728 S * 7/2003 Gajewski D23/377
- D478,974 S * 8/2003 Hidalgo D23/377

OTHER PUBLICATIONS

- U.S. Appl. No. 29/207,132, filed Jun. 8, 2004, Rolando Hidalgo.
- U.S. Appl. No. 29/207,134, filed Jun. 8, 2004, Rolando Hidalgo.

1 Claim, 6 Drawing Sheets



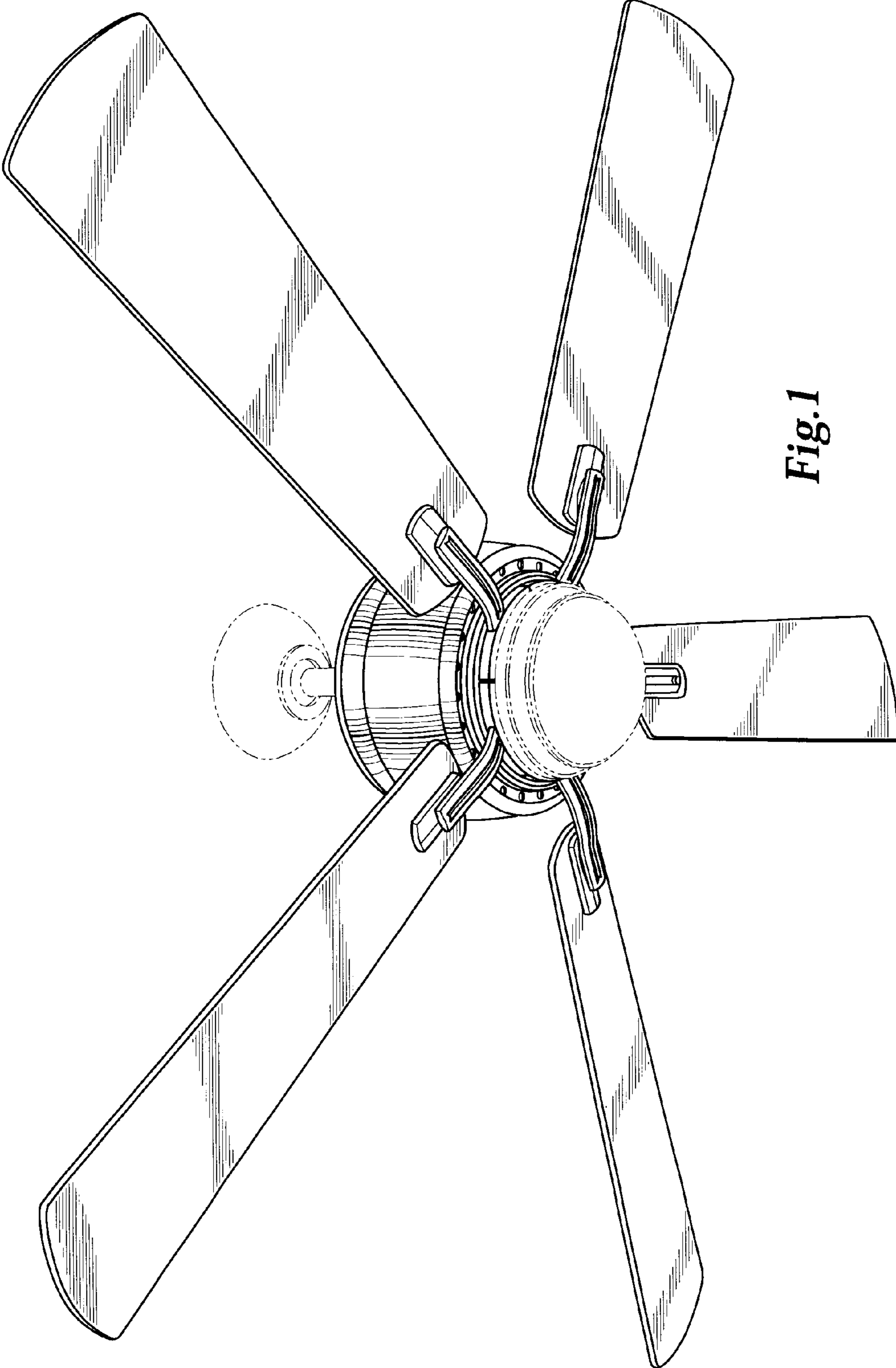


Fig. 1

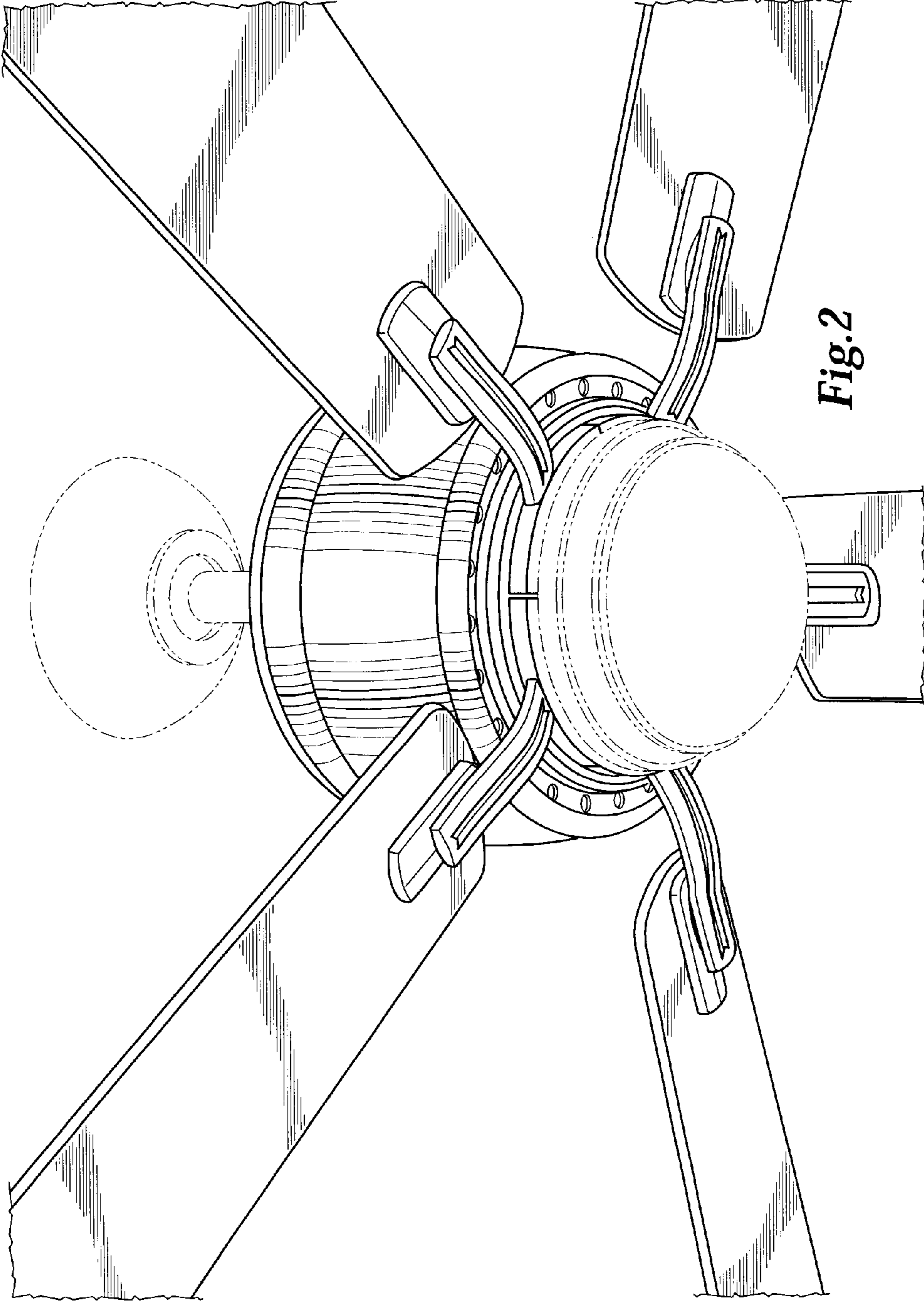


Fig. 2

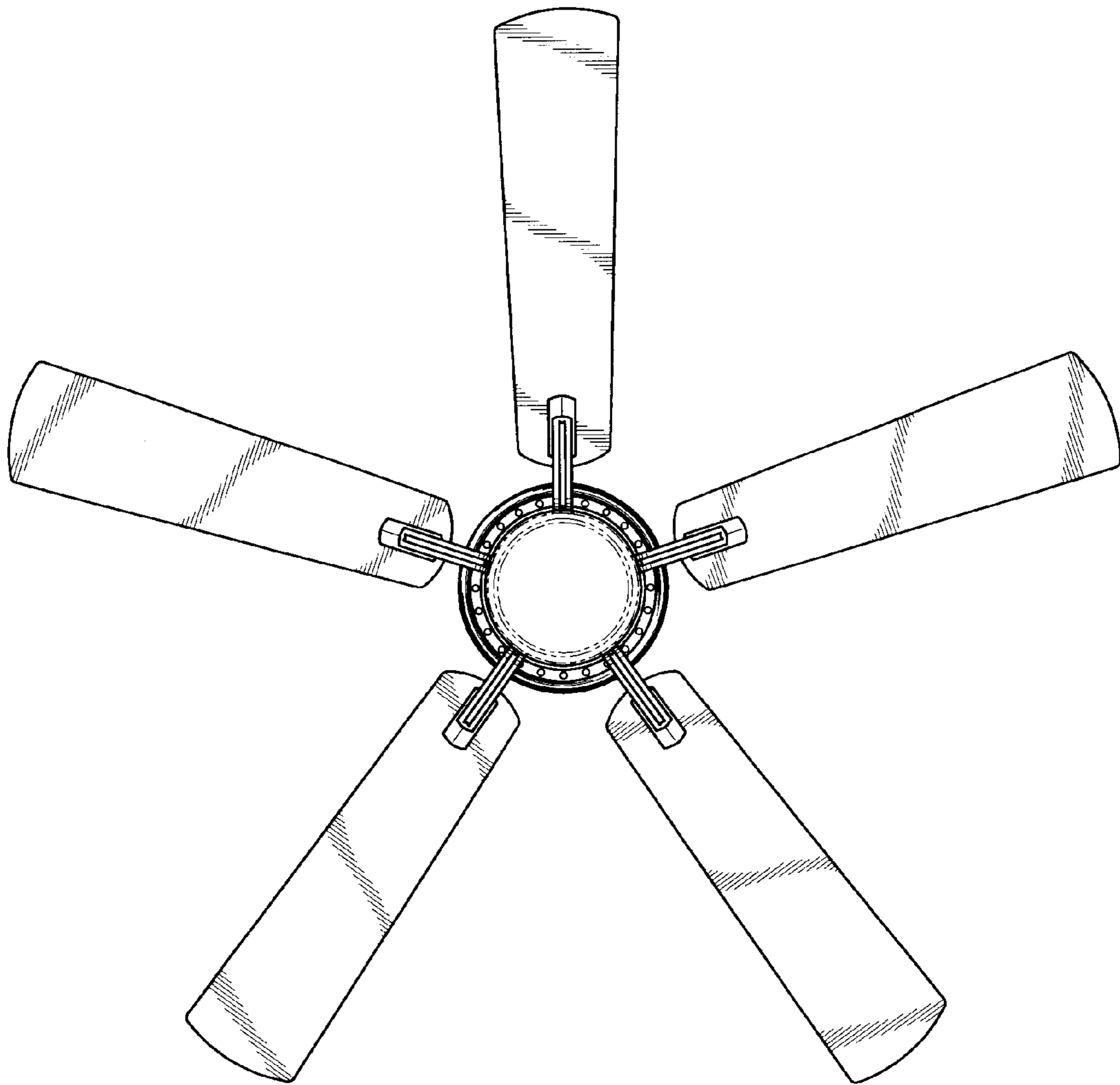


Fig.3

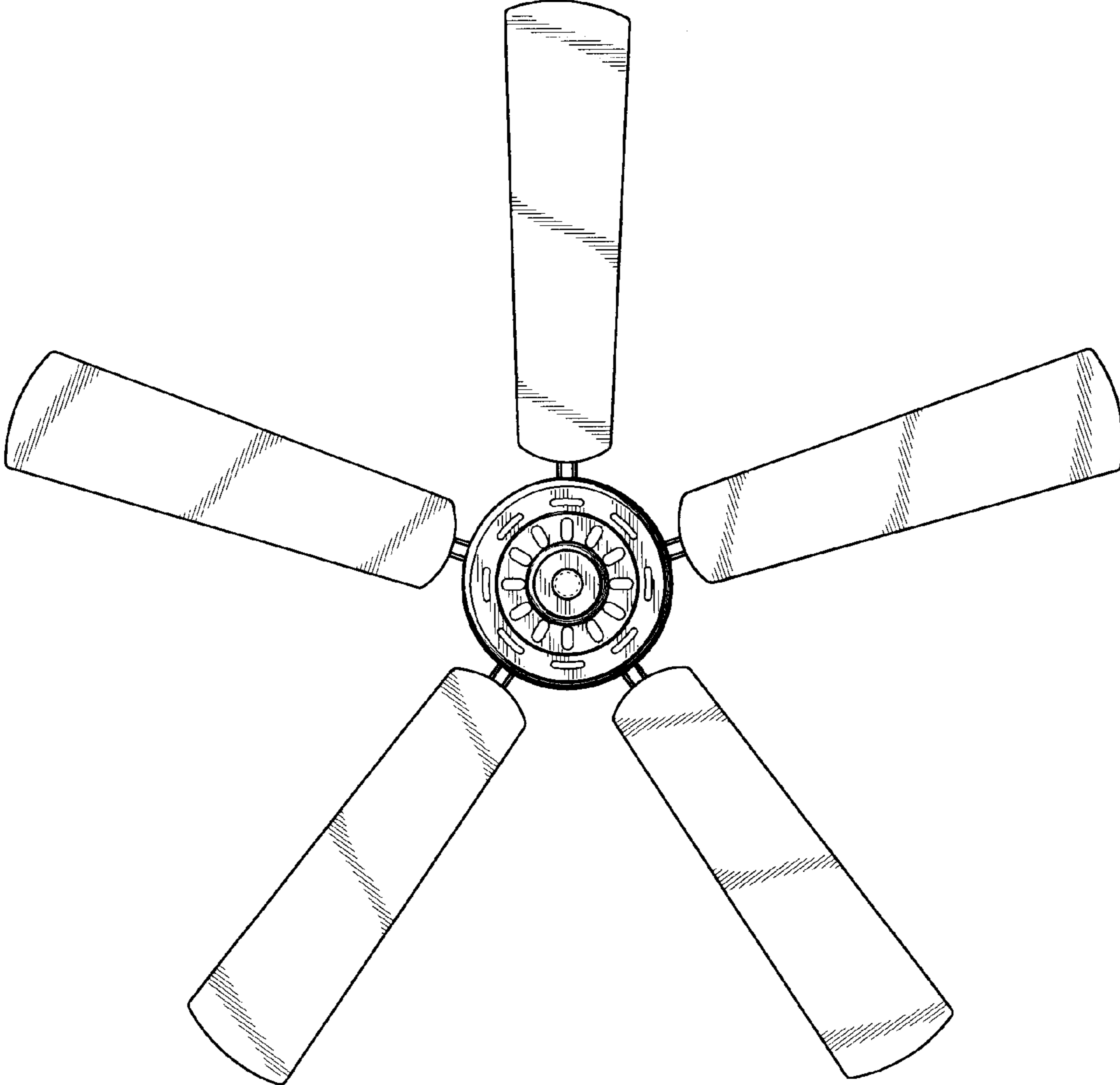


Fig.4

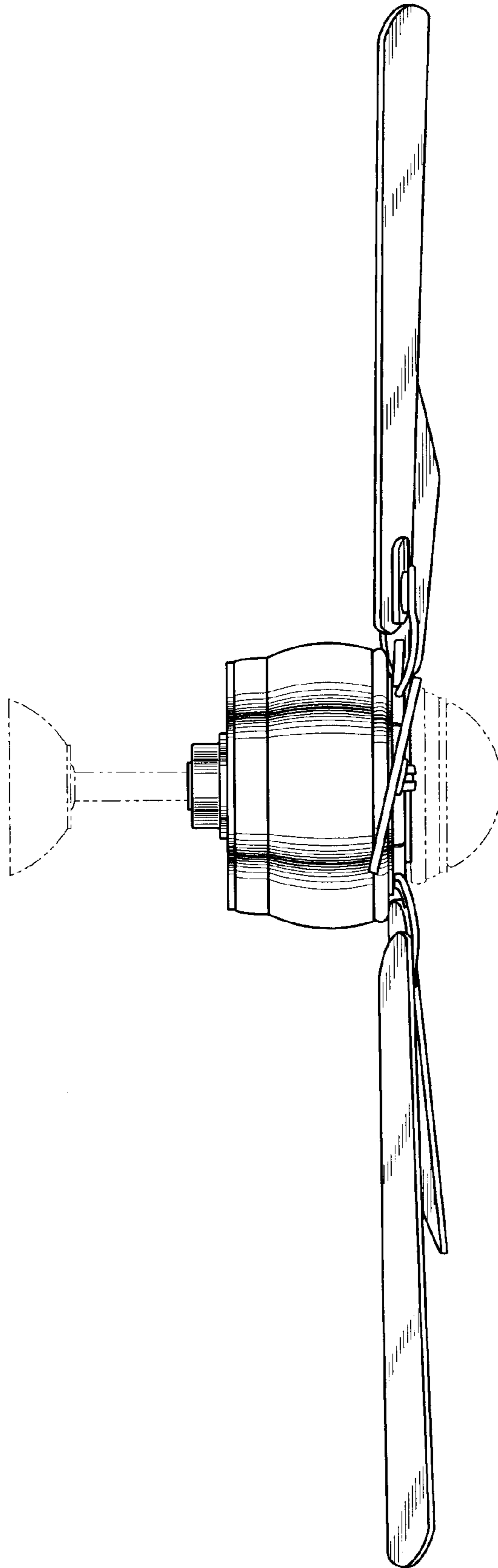


Fig. 5

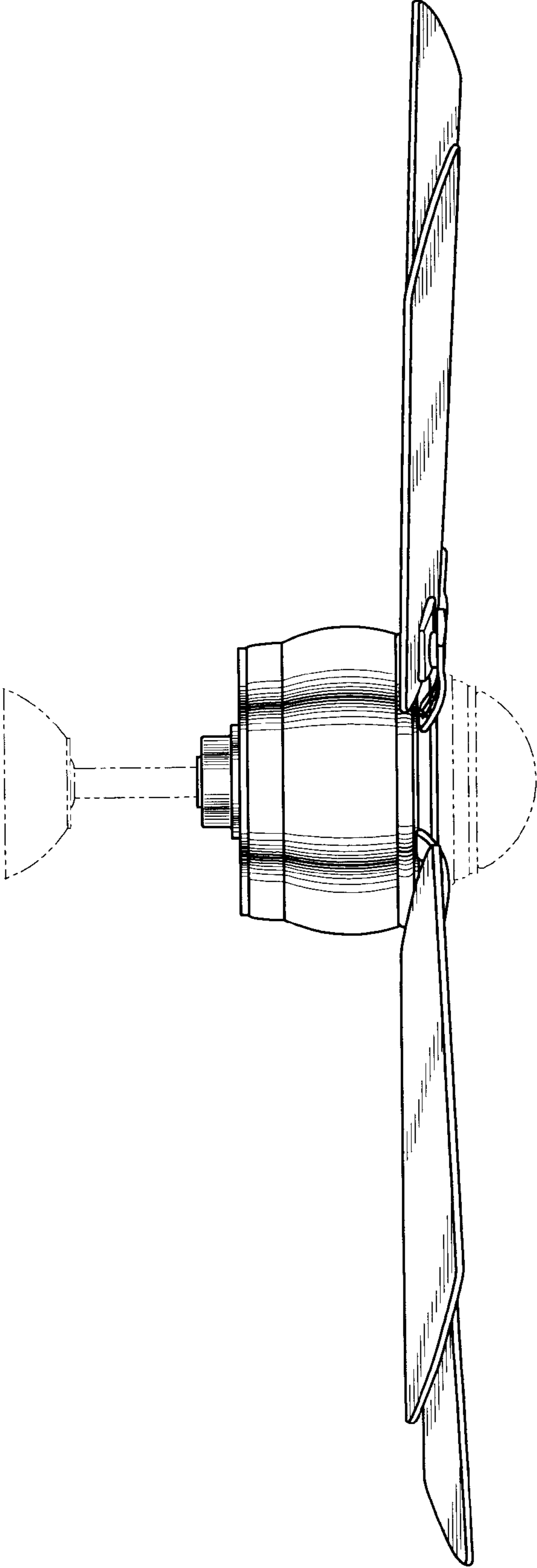


Fig. 6