

US00D514215S

(12) **United States Design Patent**
Hidalgo

(10) **Patent No.:** **US D514,215 S**
(45) **Date of Patent:** **** Jan. 31, 2006**

(54) **CEILING FAN**

(75) Inventor: **Rolando Hidalgo**, Orange, CA (US)

(73) Assignee: **Minka Lighting, Inc.**, Corona, CA (US)

(**) Term: **14 Years**

(21) Appl. No.: **29/190,029**

(22) Filed: **Sep. 12, 2003**

(51) **LOC (8) Cl.** **23-04**

(52) **U.S. Cl.** **D23/377**

(58) **Field of Classification Search** D23/377,
D23/379, 385, 411, 413; 416/5

See application file for complete search history.

(56) **References Cited**

U.S. PATENT DOCUMENTS

D433,748 S	11/2000	Frampton	D23/413
D437,047 S	1/2001	Frampton	D23/413
D437,406 S	2/2001	Frampton	D23/413
D454,634 S	3/2002	Frampton	D23/413
D483,464 S	* 12/2003	Tai	D23/377
D485,897 S	* 1/2004	Tai	D23/377

OTHER PUBLICATIONS

Minka Aire Two Thousand Three; p. 46, Jan. 2003, Minka Lighting, Inc. USA.
Fanimation Ceiling Fan Internet Catalog; Tropicana, Model #FP, Jul. 2, 2003, Fanimation.

1620N0 printed from www.ceilingfan.com.

Emerson Ceiling fan Internet Catalog; Maui Bay, printed from www.fanshack.com, Jul. 2, 2003, Emerson.

Hunter Ceiling Fan Internet Catalog; Caribbean Breeze; www.fanshack.com, Jul. 2, 2003, Hunter.

* cited by examiner

Primary Examiner—Lisa Lichtenstein

(74) *Attorney, Agent, or Firm*—Baker & McKenzie LLP

(57) **CLAIM**

The ornamental design for a ceiling fan, as shown and described.

DESCRIPTION

FIG. 1 is a perspective view from below of a ceiling fan in accordance with my design;

FIG. 2 is a bottom plan view of the ceiling fan in accordance with my design;

FIG. 3 is a top plan view of the ceiling fan in accordance with my design;

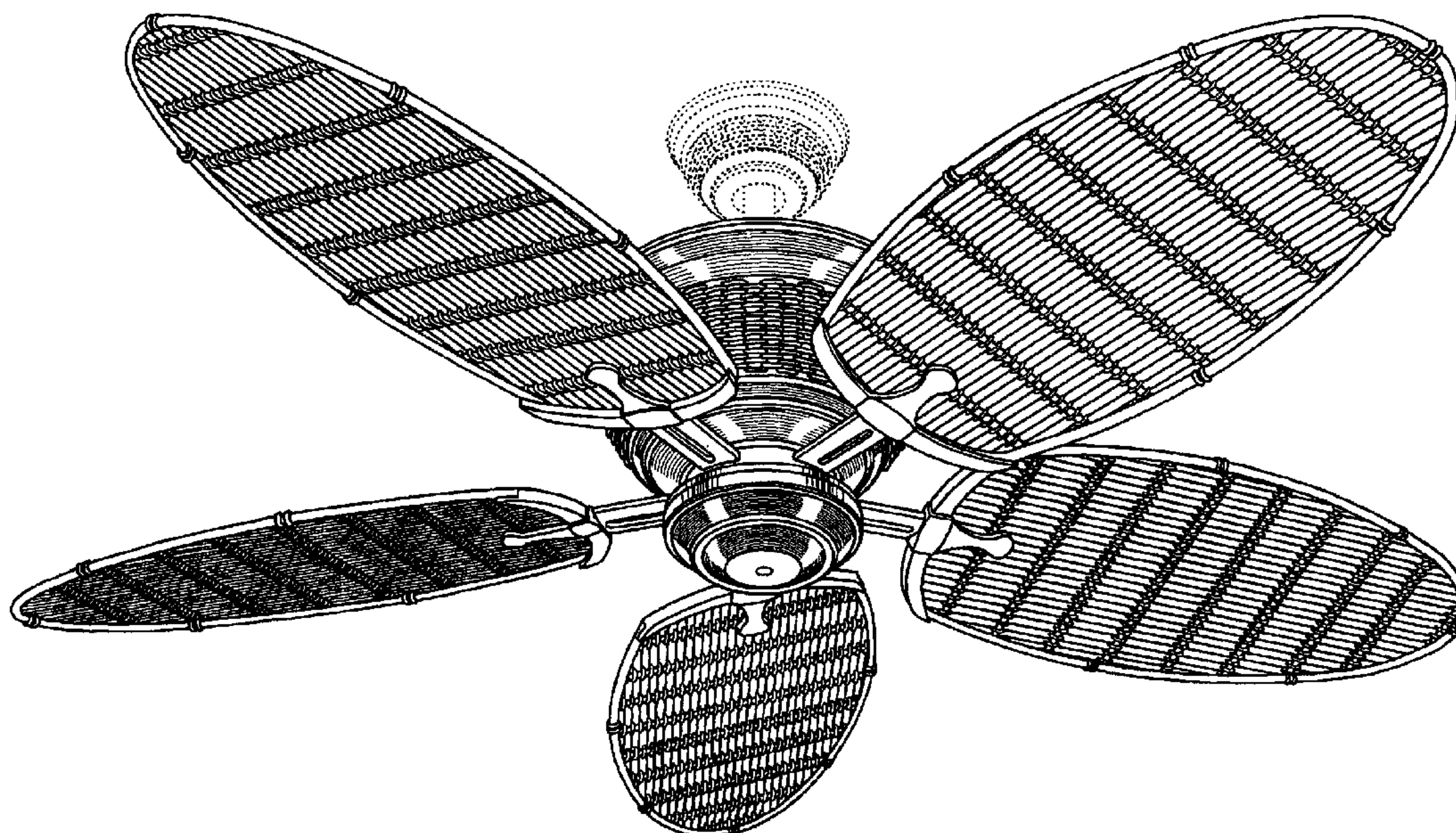
FIG. 4 is a side elevation view of the ceiling fan in accordance with my design; and,

FIG. 5 is a front elevation view of the ceiling fan in accordance with my design.

FIGS. 4 and 5 are identical except for the positioning of the fan blades.

The broken lines showing environmental structure are for illustrative purposes and form no part of the claimed design.

1 Claim, 5 Drawing Sheets



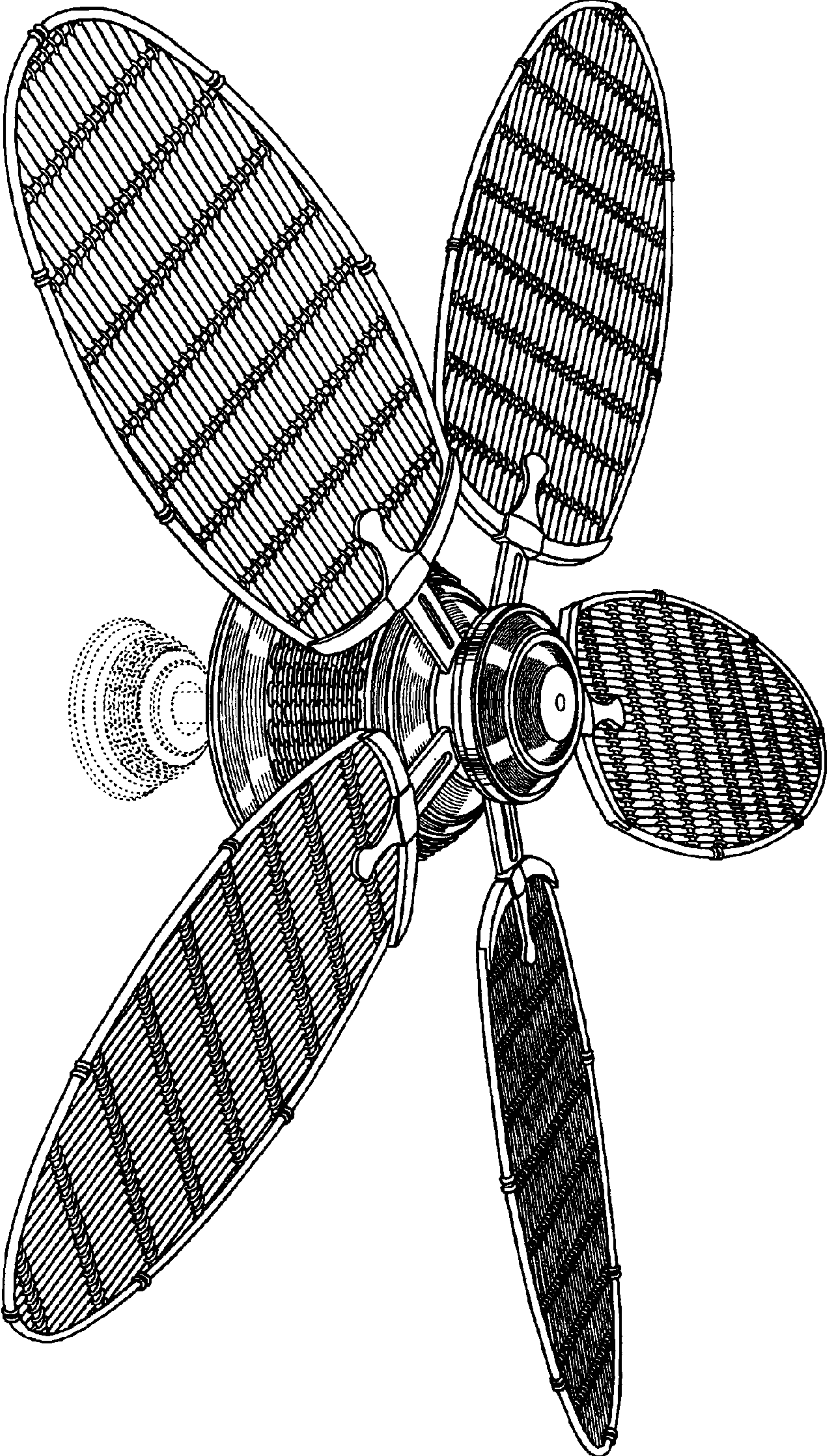


Fig. 1

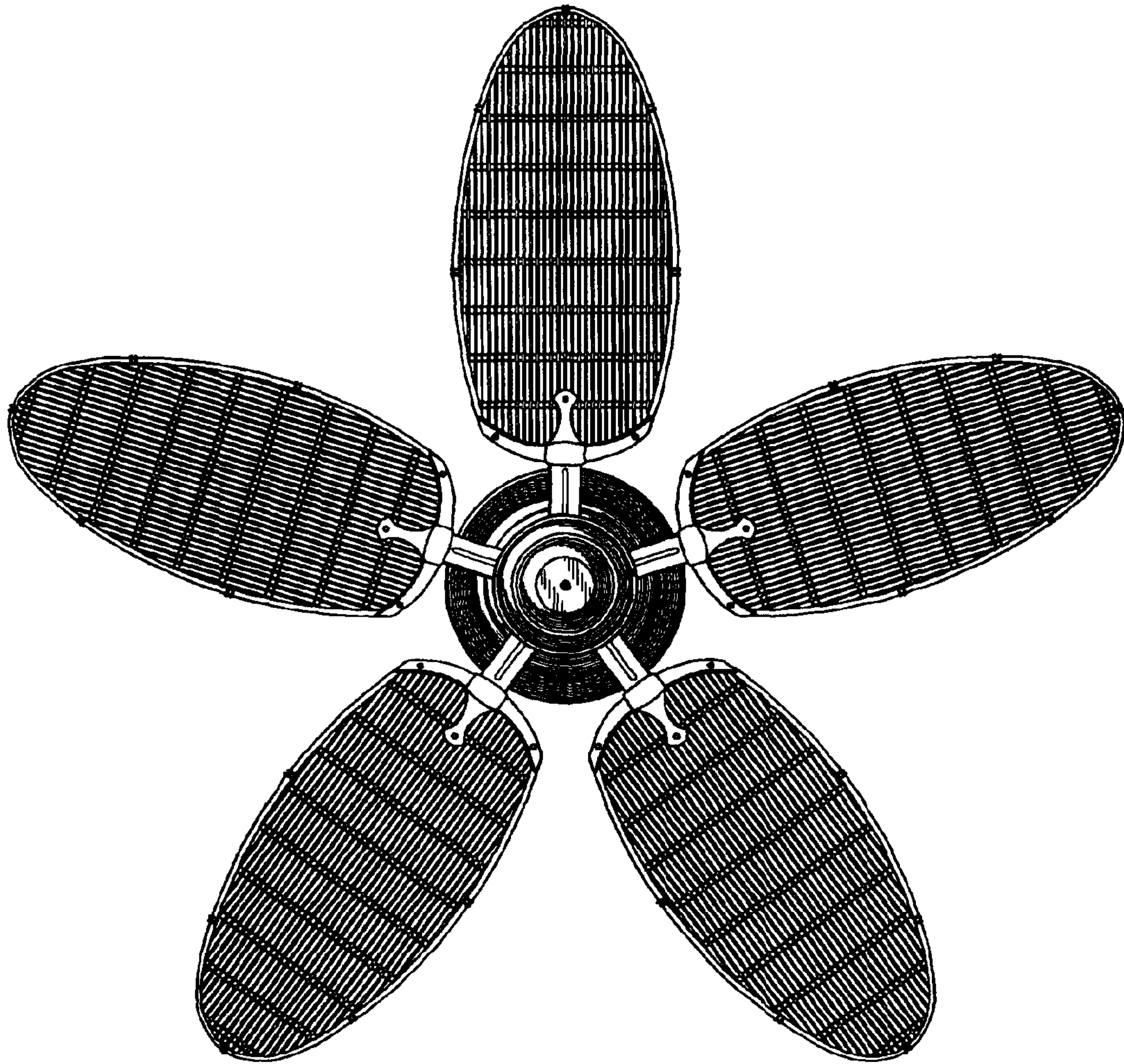


Fig.2

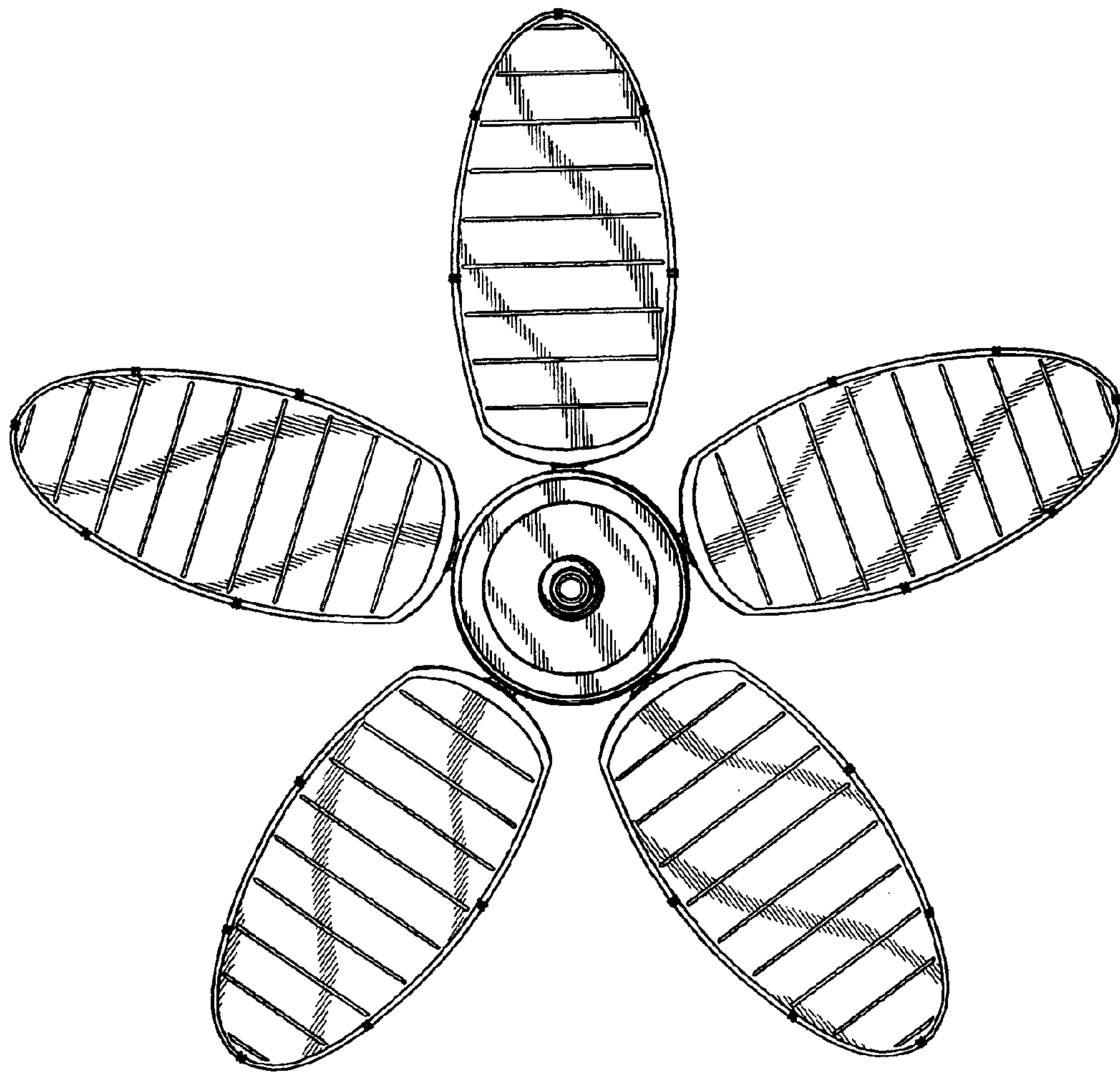


Fig.3

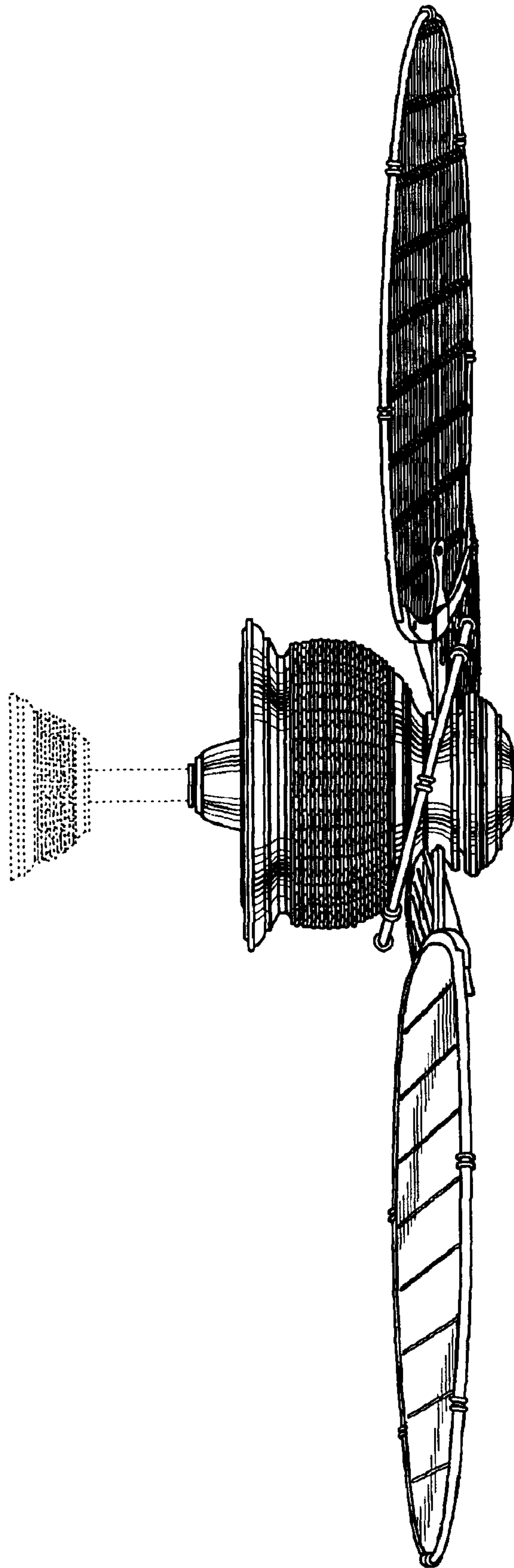


Fig. 4

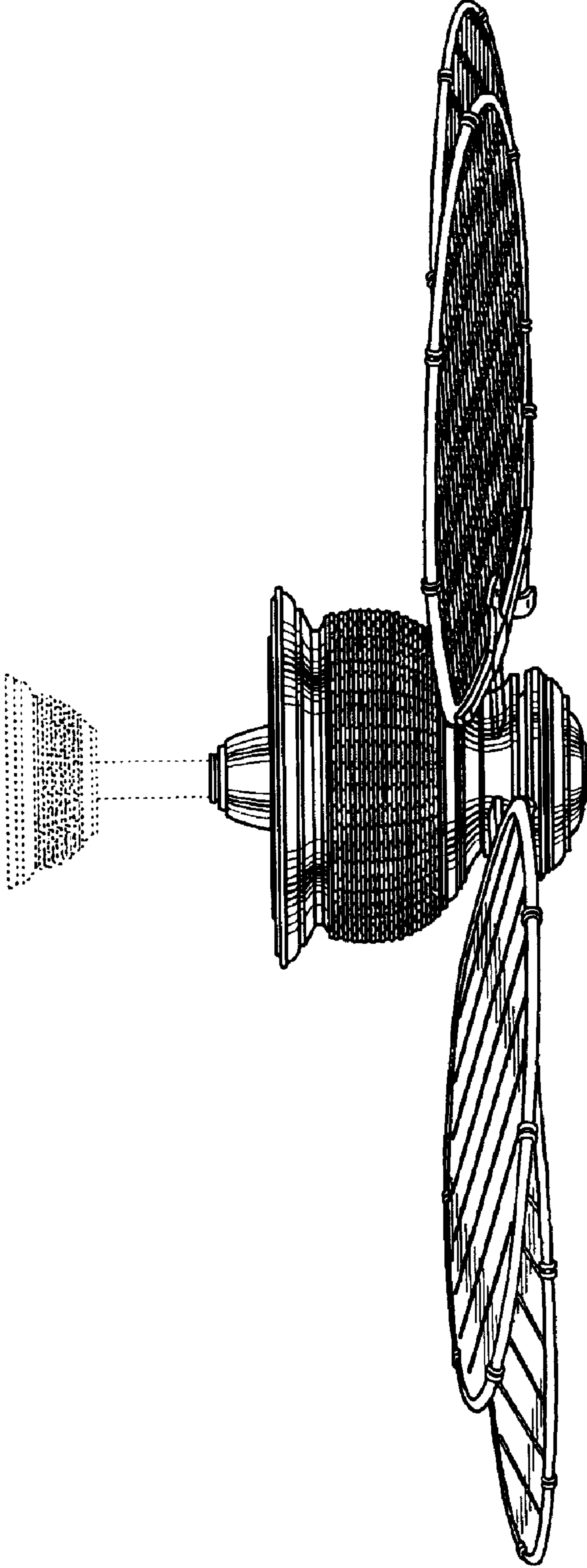


Fig. 5