



US00D514210S

(12) **United States Design Patent**
Ko

(10) **Patent No.:** **US D514,210 S**
(45) **Date of Patent:** **** Jan. 31, 2006**

(54) **FIN FOR A HEAT EXCHANGER**

(75) Inventor: **Dong-Hwan Ko**, Jinhae-shi (KR)

(73) Assignee: **Dong Hwan Ind. Ltd.**,
Kyongsangnam-do (KR)

(**) Term: **14 Years**

(21) Appl. No.: **29/138,569**

(22) Filed: **Mar. 16, 2001**

(51) **LOC (8) Cl.** **23-03**

(52) **U.S. Cl.** **D23/330**

(58) **Field of Classification Search** D23/330,
D23/314, 332; D6/566, 546; D8/499; 219/521;
237/70, 71, 73; 267/167; 392/320, 481, 314,
392/435; 165/53; 211/89.01, 106, 120
See application file for complete search history.

(56) **References Cited**

U.S. PATENT DOCUMENTS

- 3,506,295 A * 4/1970 Yancey
- 3,732,921 A * 5/1973 Hilicki et al. 165/154
- 3,869,778 A * 3/1975 Yancey 428/116
- 4,593,449 A * 6/1986 Meray-Hovarth et al.
- 5,107,922 A * 4/1992 So 165/109.1
- 6,082,449 A 7/2000 Yamaguchi et al.

* cited by examiner

Primary Examiner—Dominic Simone

(74) *Attorney, Agent, or Firm*—Fulbright & Jaworski L.L.P.

(57) **CLAIM**

The ornamental design for a fin for a heat exchanger, as shown and described.

DESCRIPTION

FIG. 1 is a perspective view of the fin for a heat exchanger showing my new design, the broken lines showing indeterminate length.

FIG. 2 is a front view thereof.

FIG. 3 is a rear view thereof.

FIG. 4 is a left side elevational view thereof.

FIG. 5 is a right side elevational view thereof.

FIG. 6 is a top plan view thereof.

FIG. 7 is a bottom plan view thereof; and,

FIG. 8 is an exploded view thereof.

The material is made of metal.

As shown in FIG. 8, fins for heat exchanger of the present design are disposed laminatedly between a pair of upper plates and a pair of middle plates, between a plurality of pairs of middle plates, and between a pair of middle plates and a pair of lower plates, and used for exchanging heat of fluid passing through the units.

The omitted portion of the member of the present design in the drawings is approximately to 20 cm. Broken lines indicate indeterminate length.

1 Claim, 4 Drawing Sheets

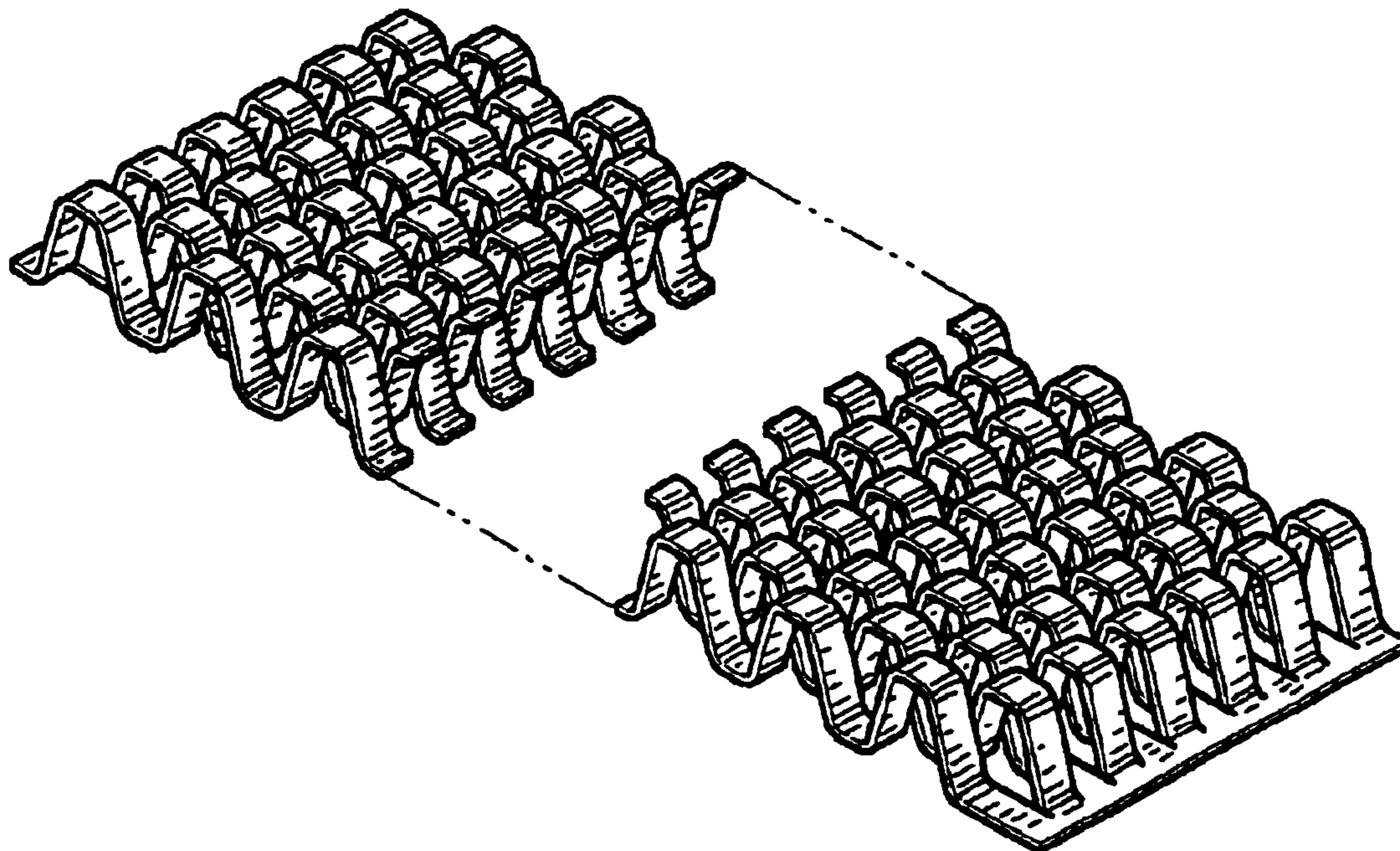


FIG. 1

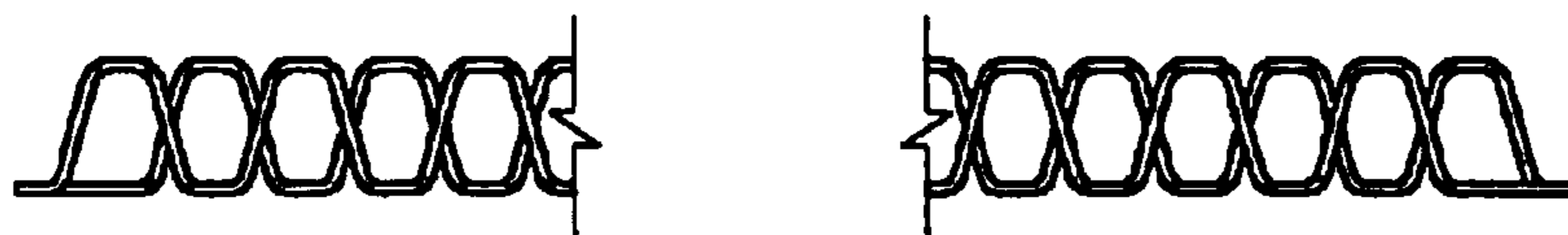
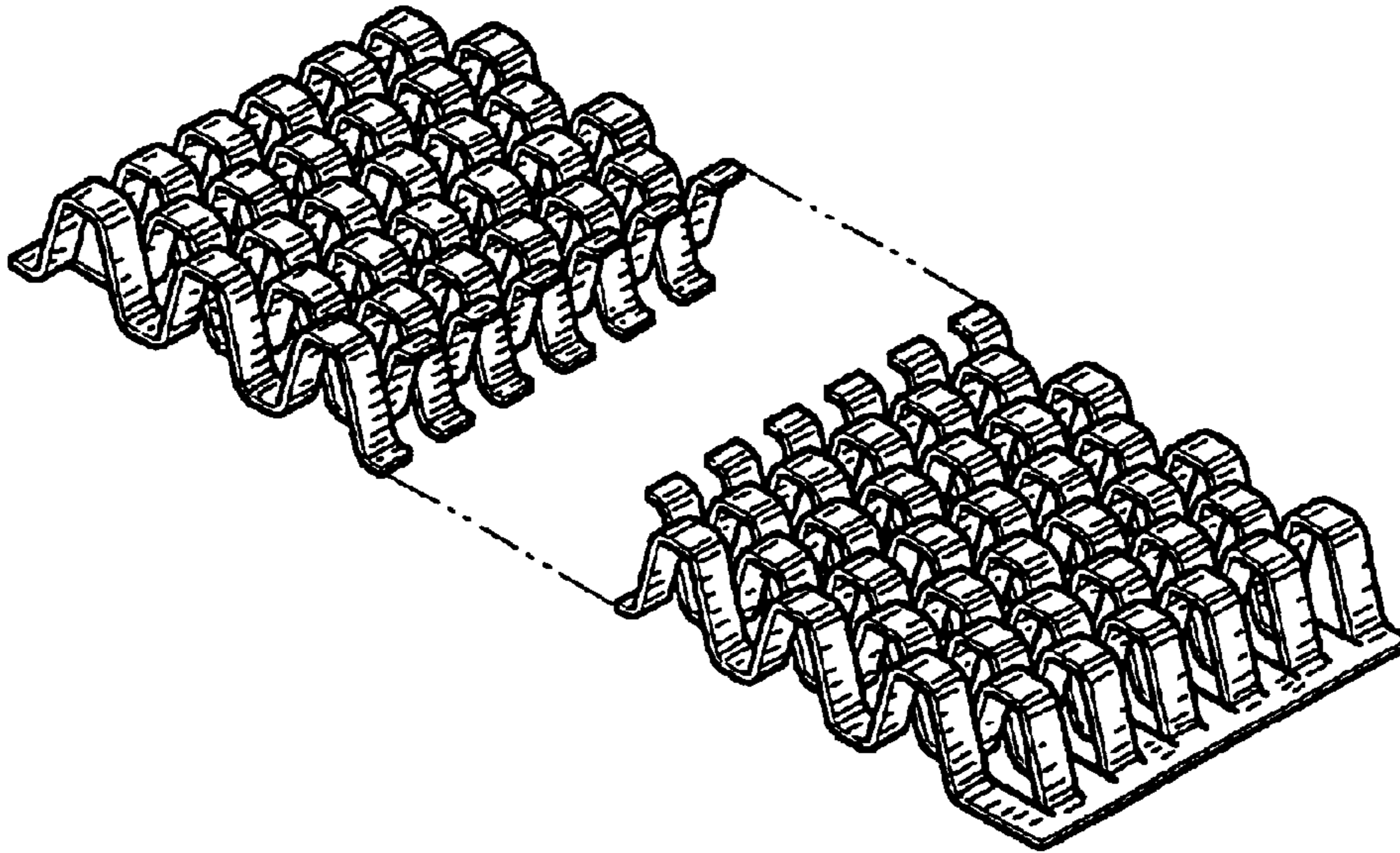


FIG. 2



FIG. 3



FIG. 4



FIG. 5

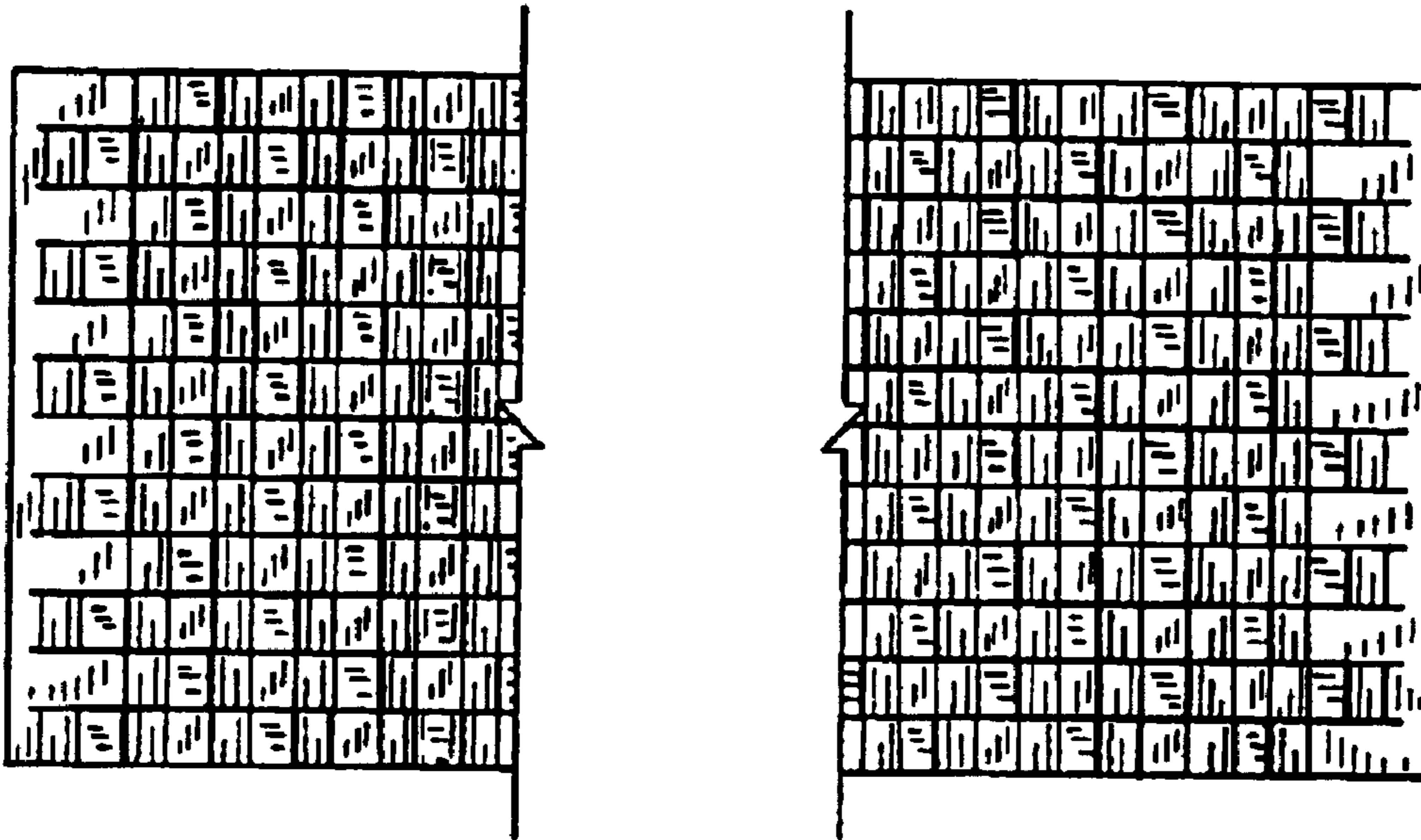


FIG. 6

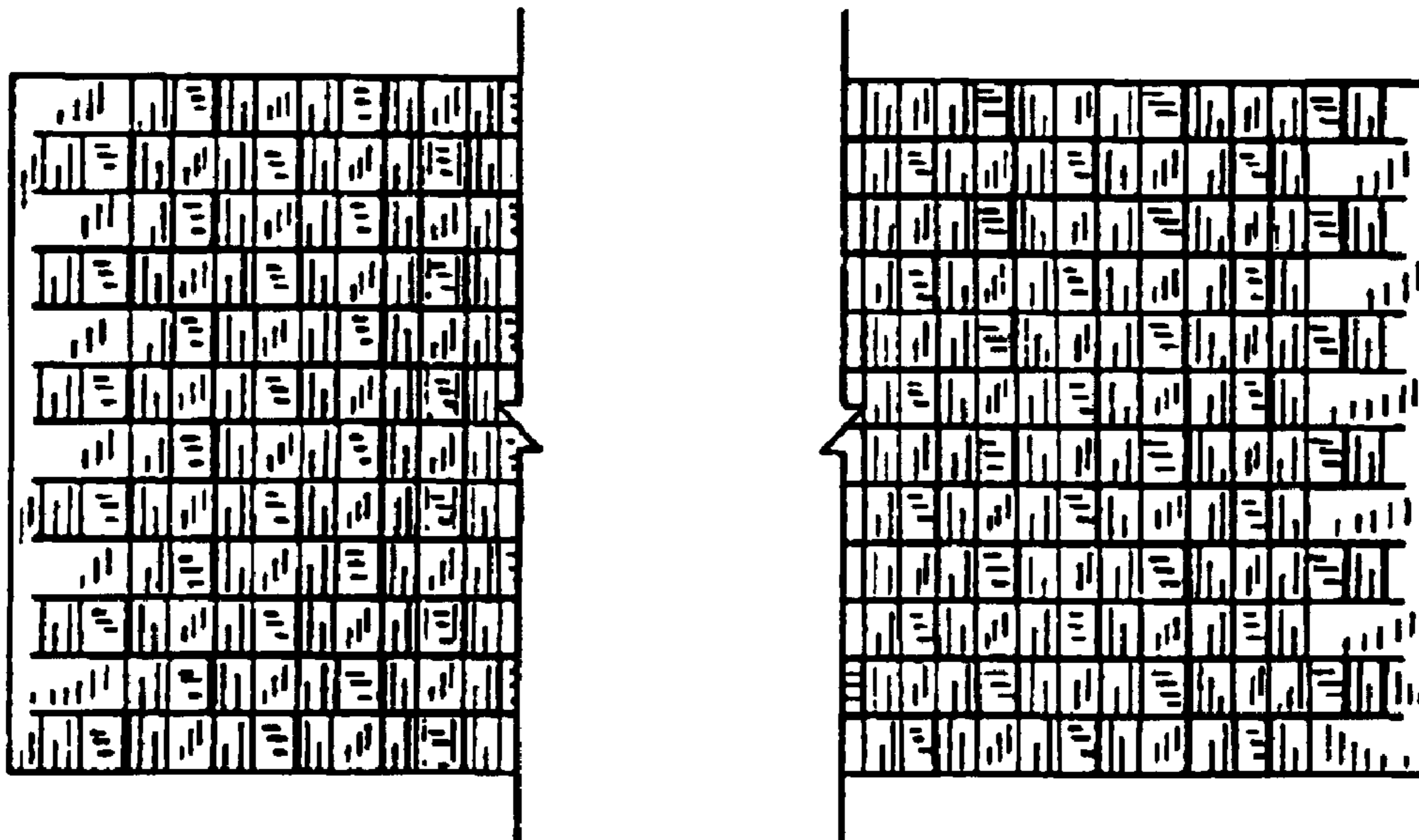


FIG. 7

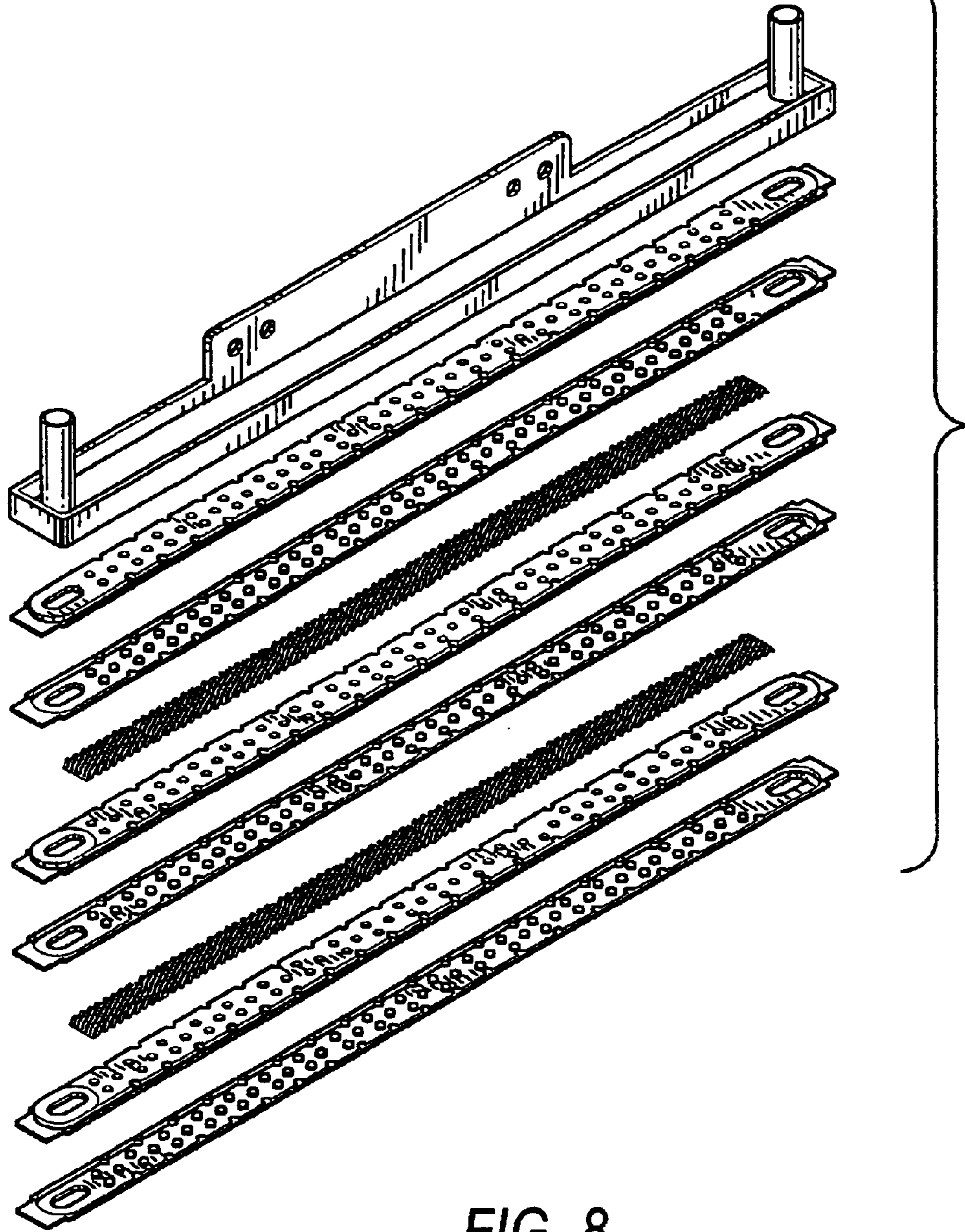


FIG. 8