

US00D514207S

(12) **United States Design Patent**
Citterio

(10) **Patent No.: US D514,207 S**
(45) **Date of Patent: ** Jan. 31, 2006**

(54) **BATHTUB**
(75) Inventor: **Antonio Citterio**, Milan (IT)
(73) Assignee: **Hansgrohe AG**, Schiltach (DE)
(**) Term: **14 Years**

D100,565 S * 7/1936 Kohler D23/277
D141,621 S * 6/1945 Stanitz D23/277
D244,711 S * 6/1977 Armbruster D24/204

(21) Appl. No.: **29/190,483**
(22) Filed: **Sep. 22, 2003**
(30) **Foreign Application Priority Data**

Mar. 21, 2003 (DE) 4 03 02 377

(51) **LOC (8) Cl.** **23-02**
(52) **U.S. Cl.** **D23/280.1**
(58) **Field of Classification Search** D23/270-271,
D23/276-278, 280.1, 303-304, 273, 275,
D23/279, 280.2, 280.3, 280.4; D24/204-205;
4/538-539, 545-546, 592-593, 584-586,
4/588-590, DIG. 15, 555, 559
See application file for complete search history.

(56) **References Cited**

U.S. PATENT DOCUMENTS

1,636,698 A * 7/1927 Leonard et al. 4/559

OTHER PUBLICATIONS

Hoesch Design, brochure Jan. 2003, pp. 44, 45.

* cited by examiner

Primary Examiner—Robert A. Delehanty
(74) *Attorney, Agent, or Firm*—Duane Morris LLP

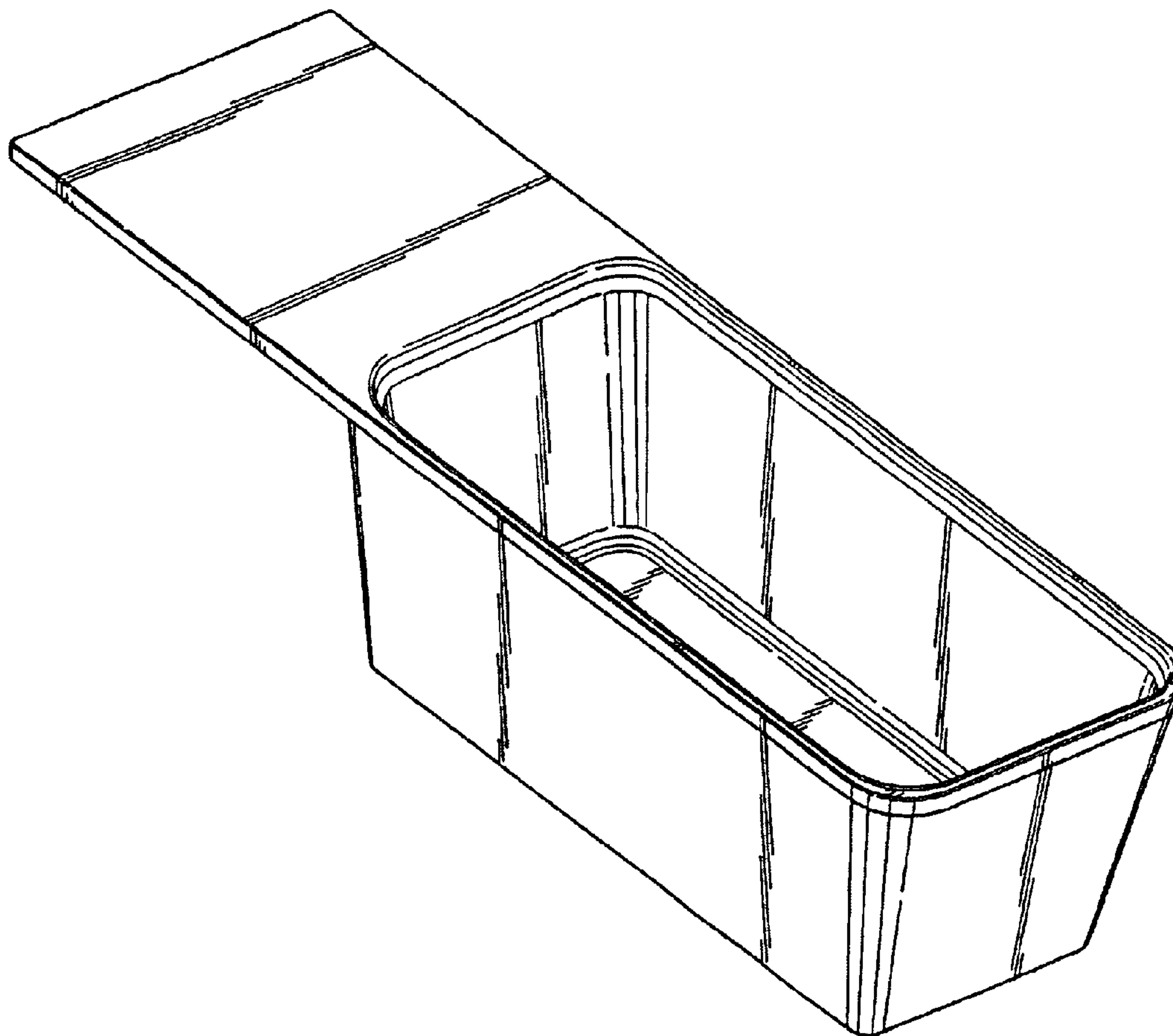
(57) **CLAIM**

The ornamental design for a bathtub, as shown and described.

DESCRIPTION

FIG. 1: is a side perspective view of the bathtub showing my new design;
FIG. 2: is a front elevation view thereof;
FIG. 3: is a rear elevation view thereof;
FIG. 4: is a top plan view thereof; and,
FIG. 5: is a side elevation view thereof (the opposite side being a mirror image).

1 Claim, 2 Drawing Sheets



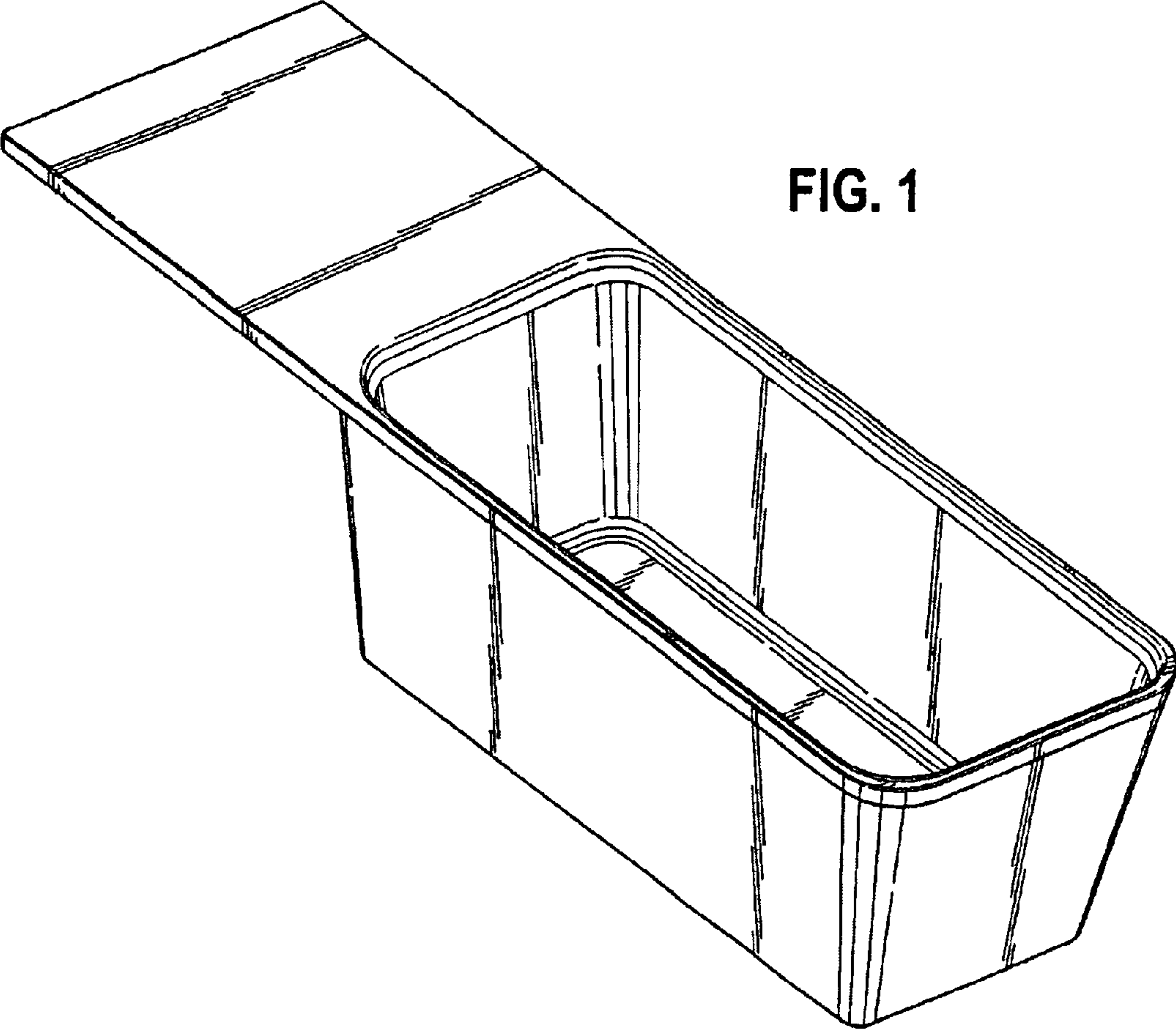


FIG. 1

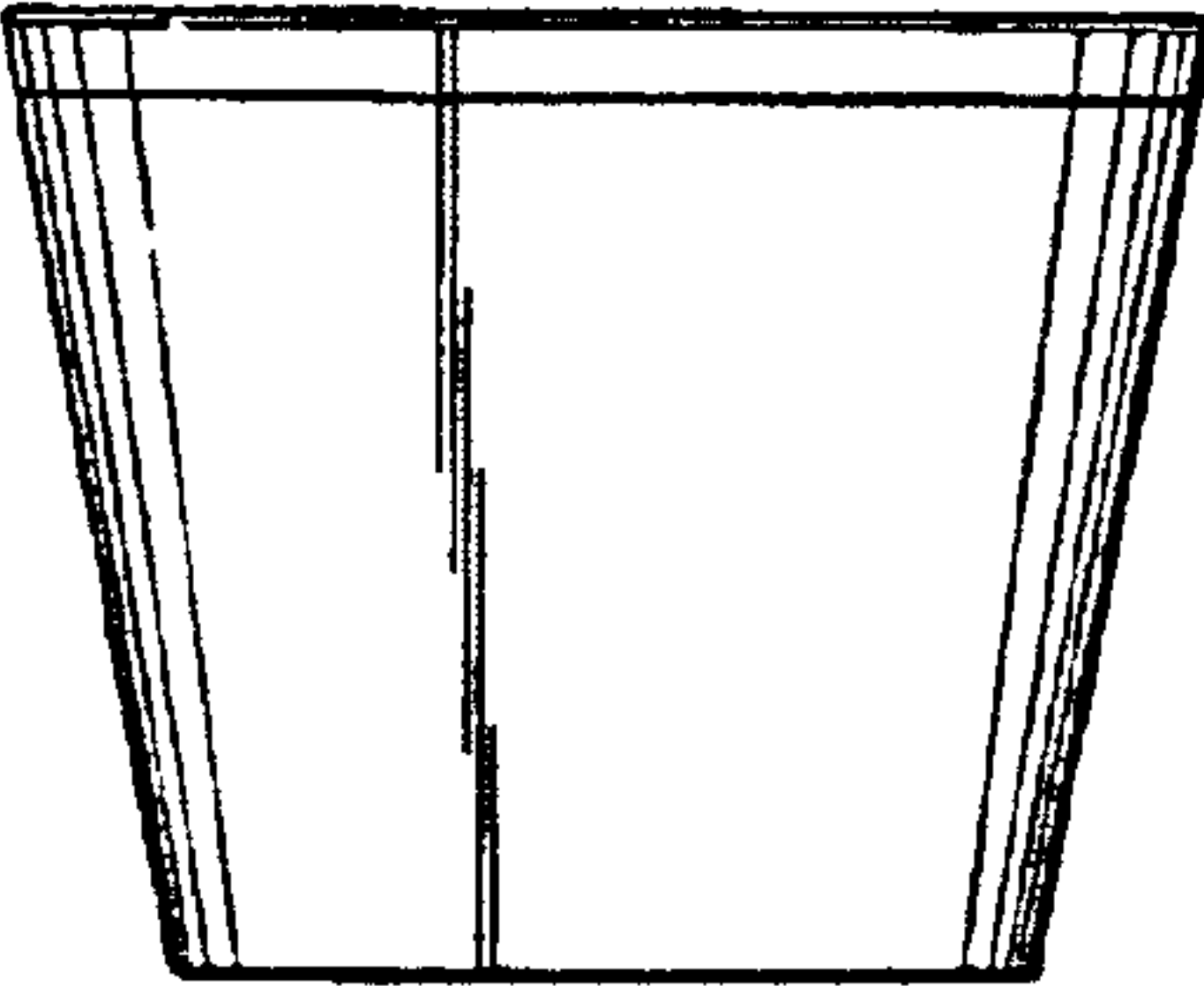


FIG. 2

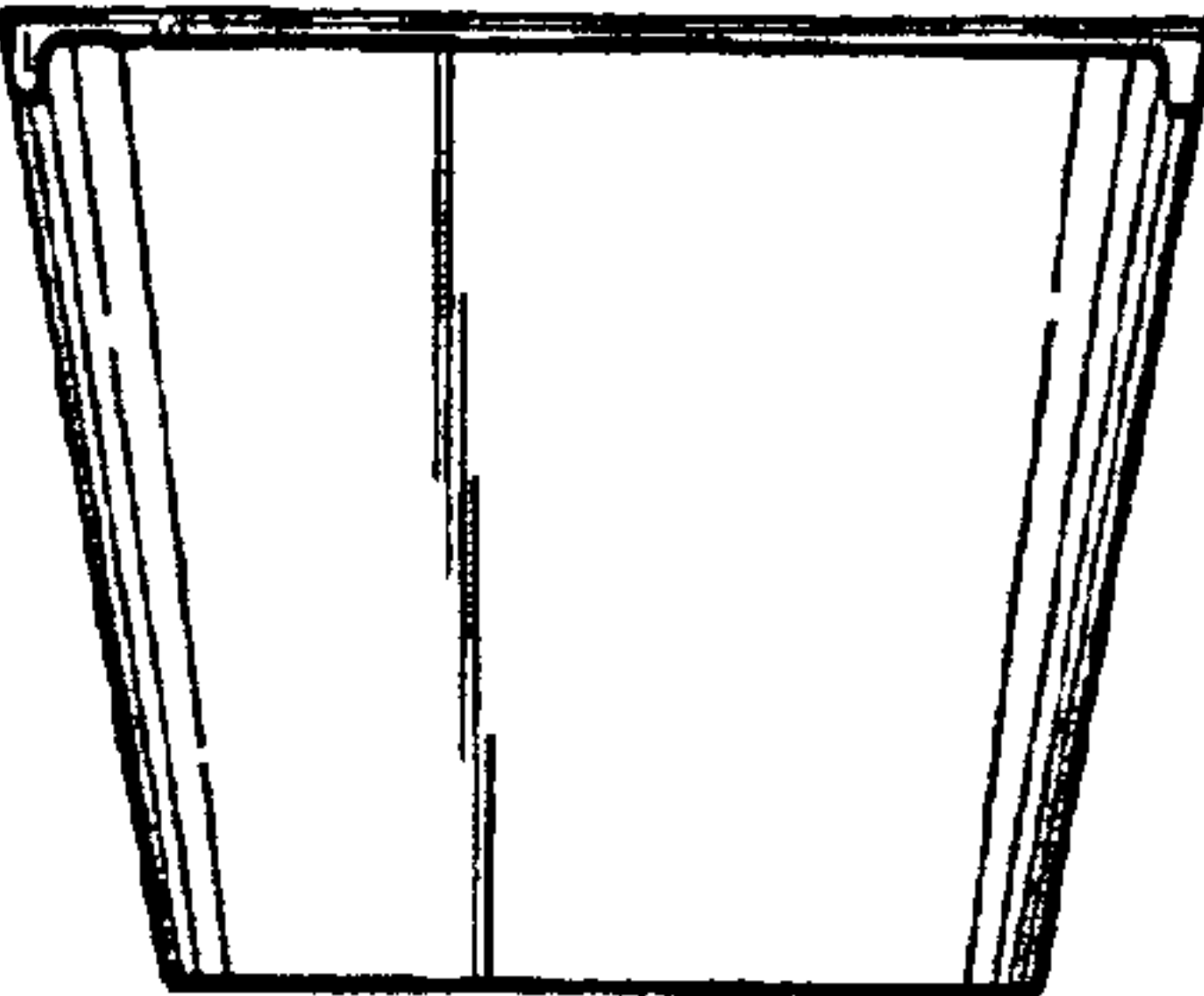


FIG. 3

FIG. 4

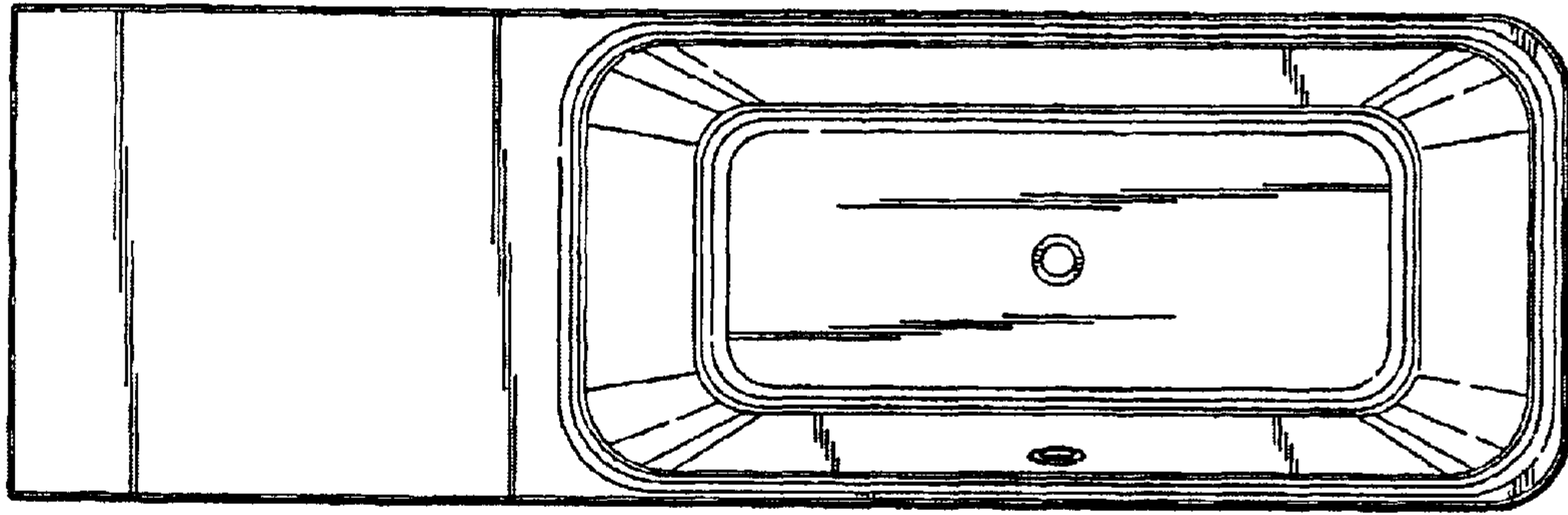


FIG. 5

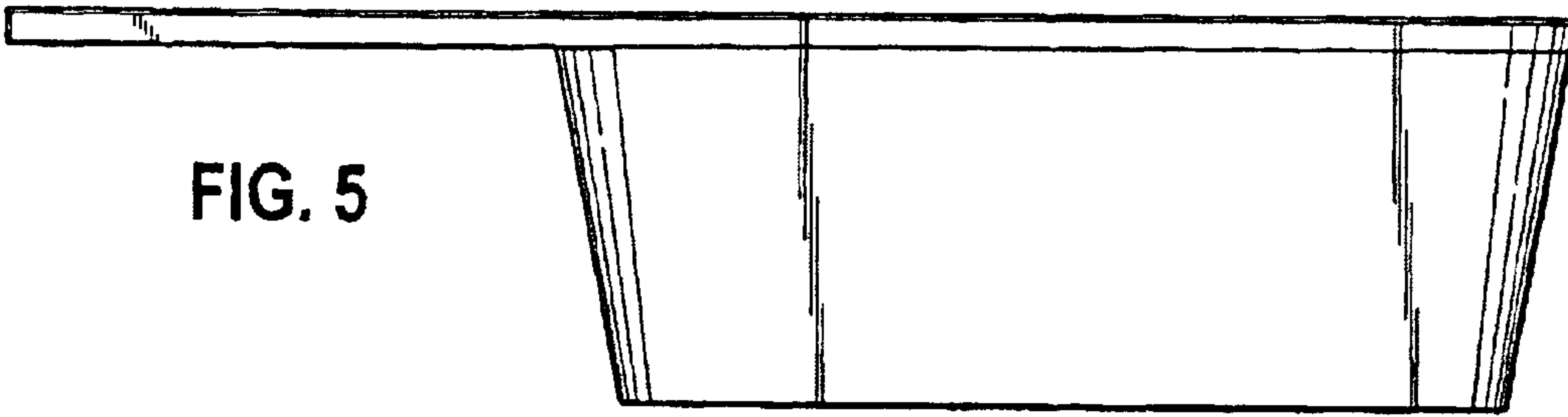


FIG. 6

