



US00D514200S

(12) **United States Design Patent**
Starck

(10) **Patent No.:** **US D514,200 S**

(45) **Date of Patent:** **** Jan. 31, 2006**

(54) **TUB SPOUT**

(75) **Inventor:** **Philippe Starck, Paris (FR)**

(73) **Assignee:** **Hansgrohe AG (DE)**

(**) **Term:** **14 Years**

(21) **Appl. No.:** **29/209,127**

(22) **Filed:** **Jul. 9, 2004**

(30) **Foreign Application Priority Data**

Jan. 14, 2004 (EM) 125000-0005

(51) **LOC (8) Cl.** **23-01**

(52) **U.S. Cl.** **D23/238**

(58) **Field of Classification Search** D23/238-257;
4/675-678; 137/801

See application file for complete search history.

(56) **References Cited**

U.S. PATENT DOCUMENTS

D441,060 S * 4/2001 Lefroy-Brooks D23/255

D457,603 S * 5/2002 Lobermeier D23/242

D457,941 S * 5/2002 Lobermeier D23/242

D464,402 S * 10/2002 Saraya D23/238

* cited by examiner

Primary Examiner—Louis S. Zarfaz

Assistant Examiner—G. Andoll

(74) *Attorney, Agent, or Firm*—Kwadjo Adusei-Poku;
Lloyd D. Doigan

(57) **CLAIM**

The ornamental design for a tub spout, as shown and described.

DESCRIPTION

FIG. 1 is a front perspective view of a tub spout showing my new design;

FIG. 2 is a top plan view thereof;

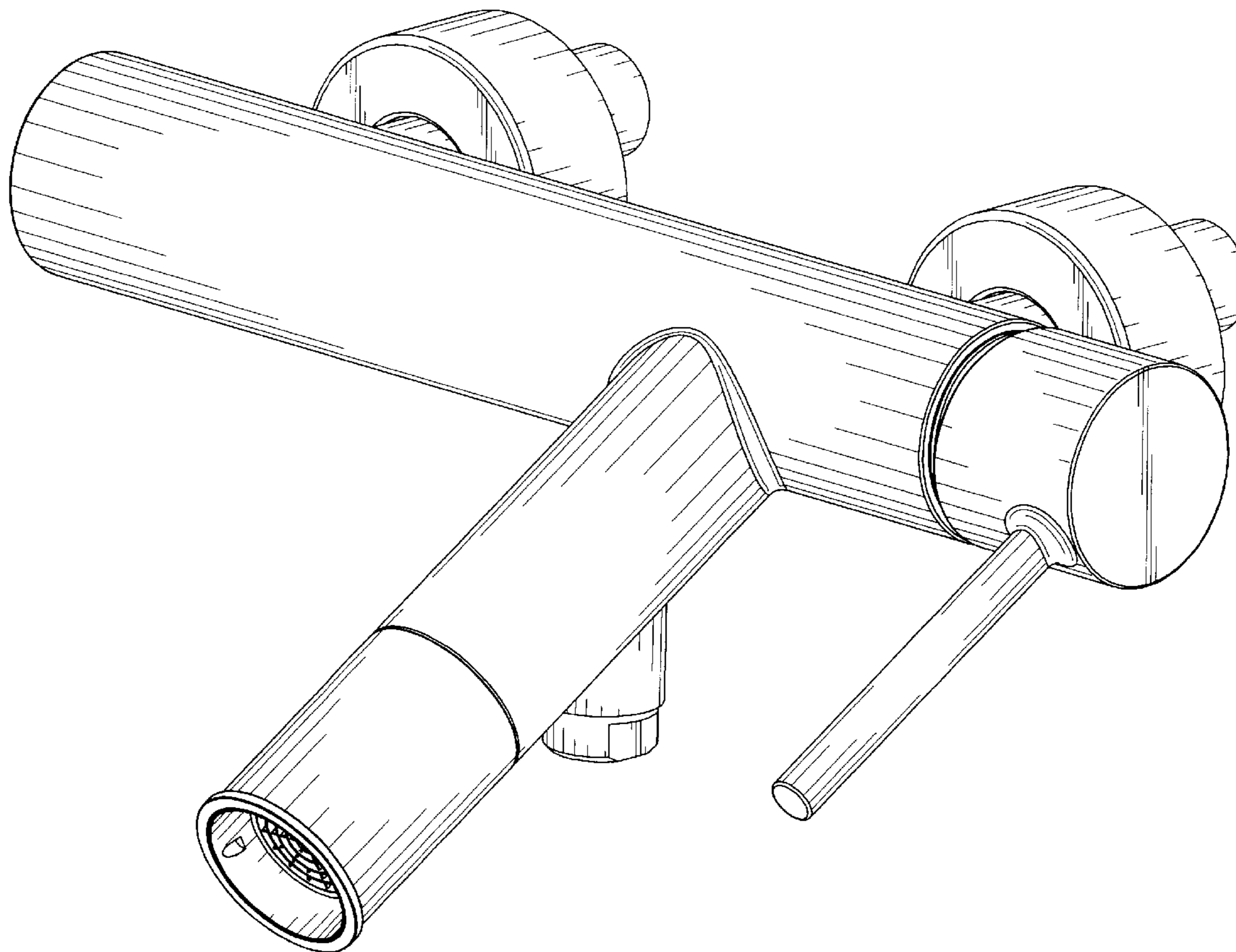
FIG. 3 is a left side elevational view thereof;

FIG. 4 is a right side elevational view thereof;

FIG. 5 is a front elevational view thereof; and,

FIG. 6 is a bottom plan view thereof.

1 Claim, 5 Drawing Sheets



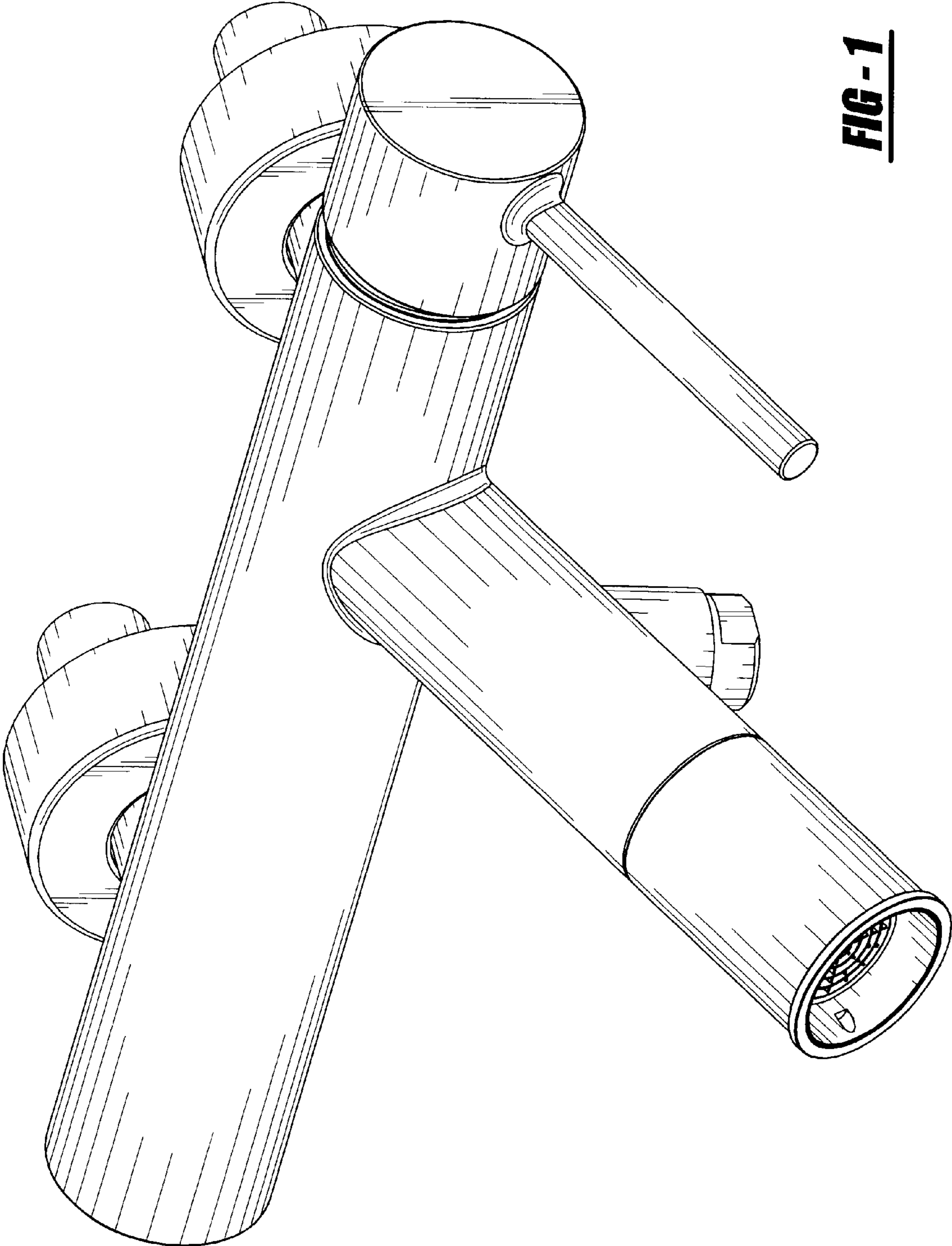


FIG-1

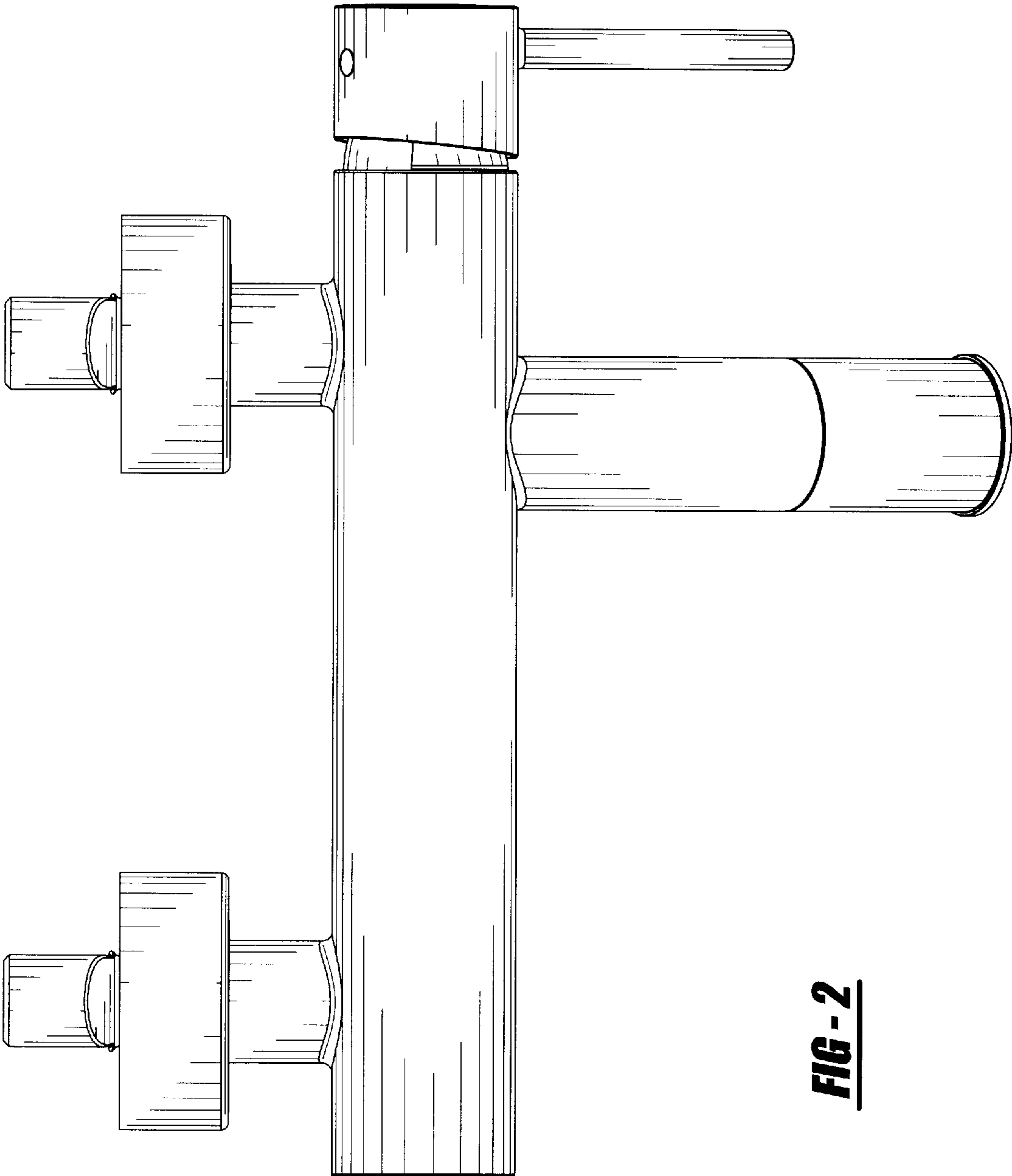


FIG - 2

FIG - 3

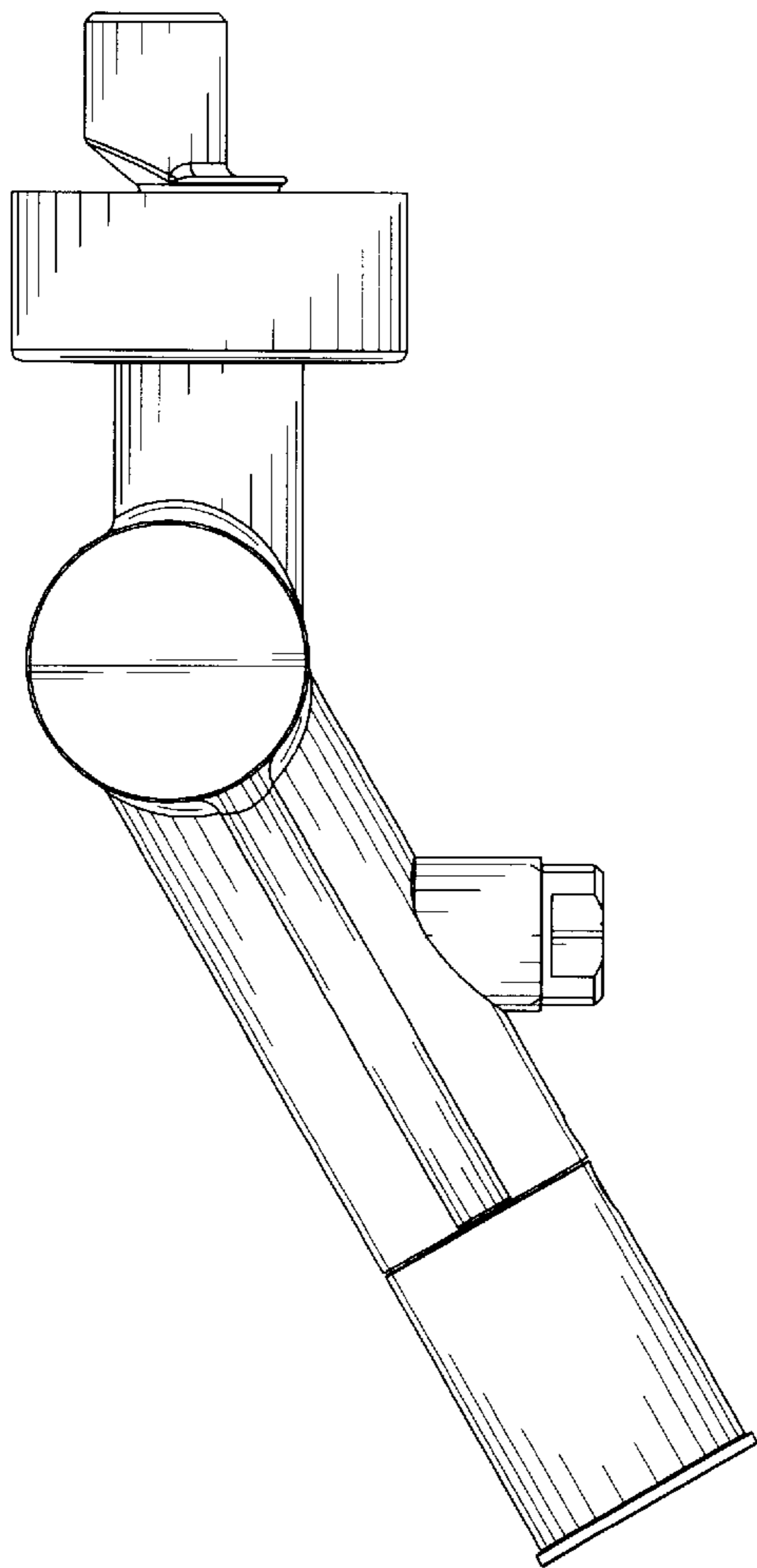
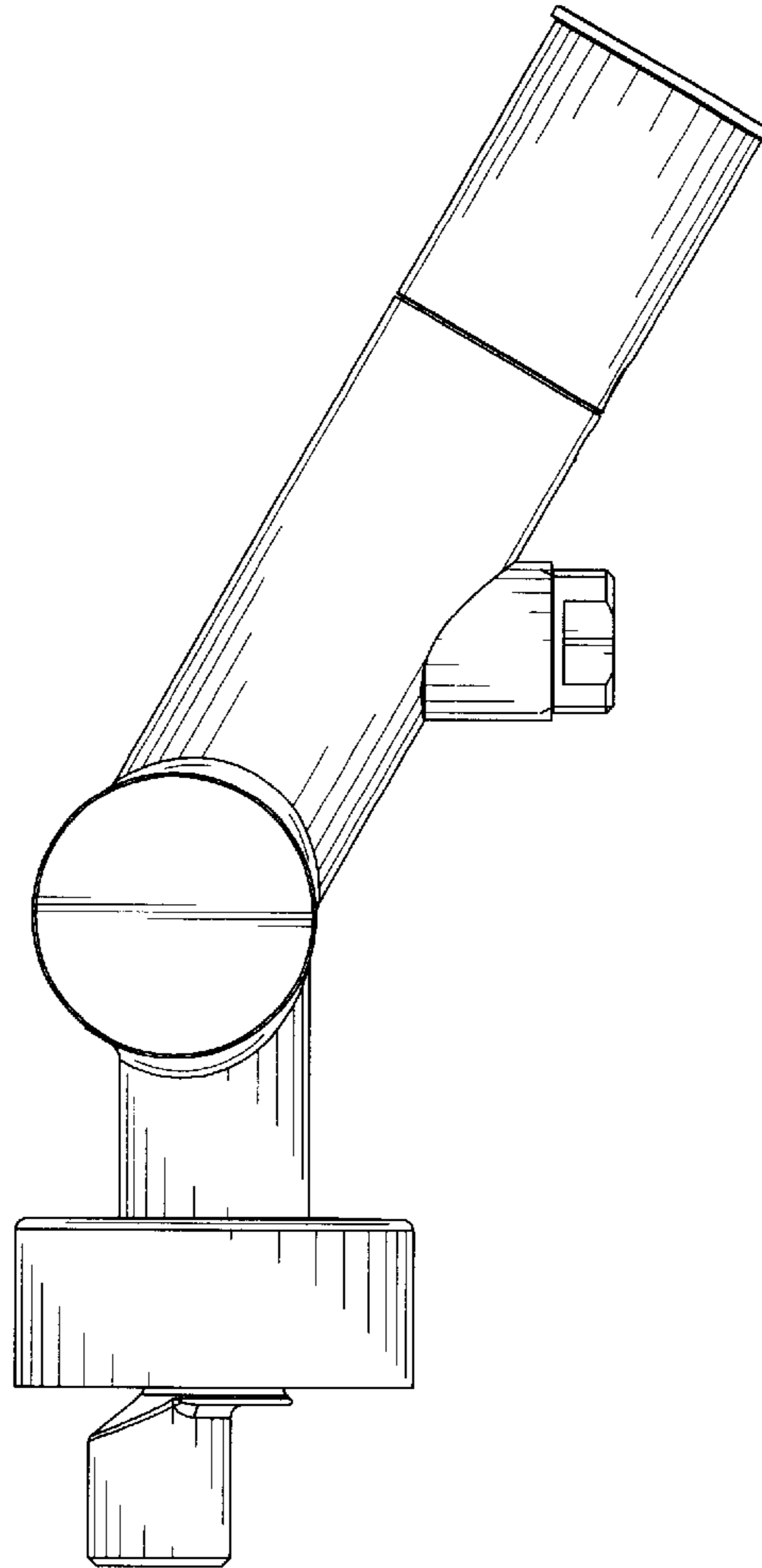


FIG - 4



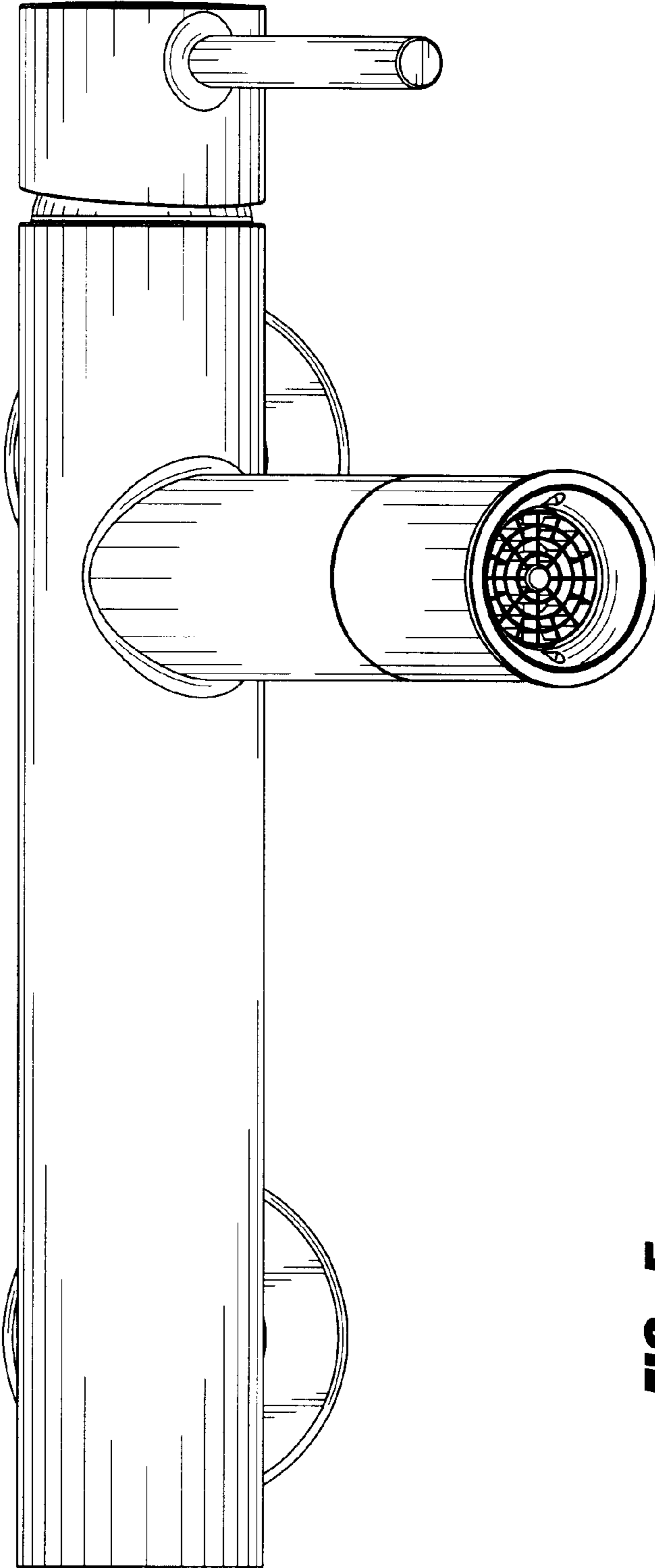


FIG - 5

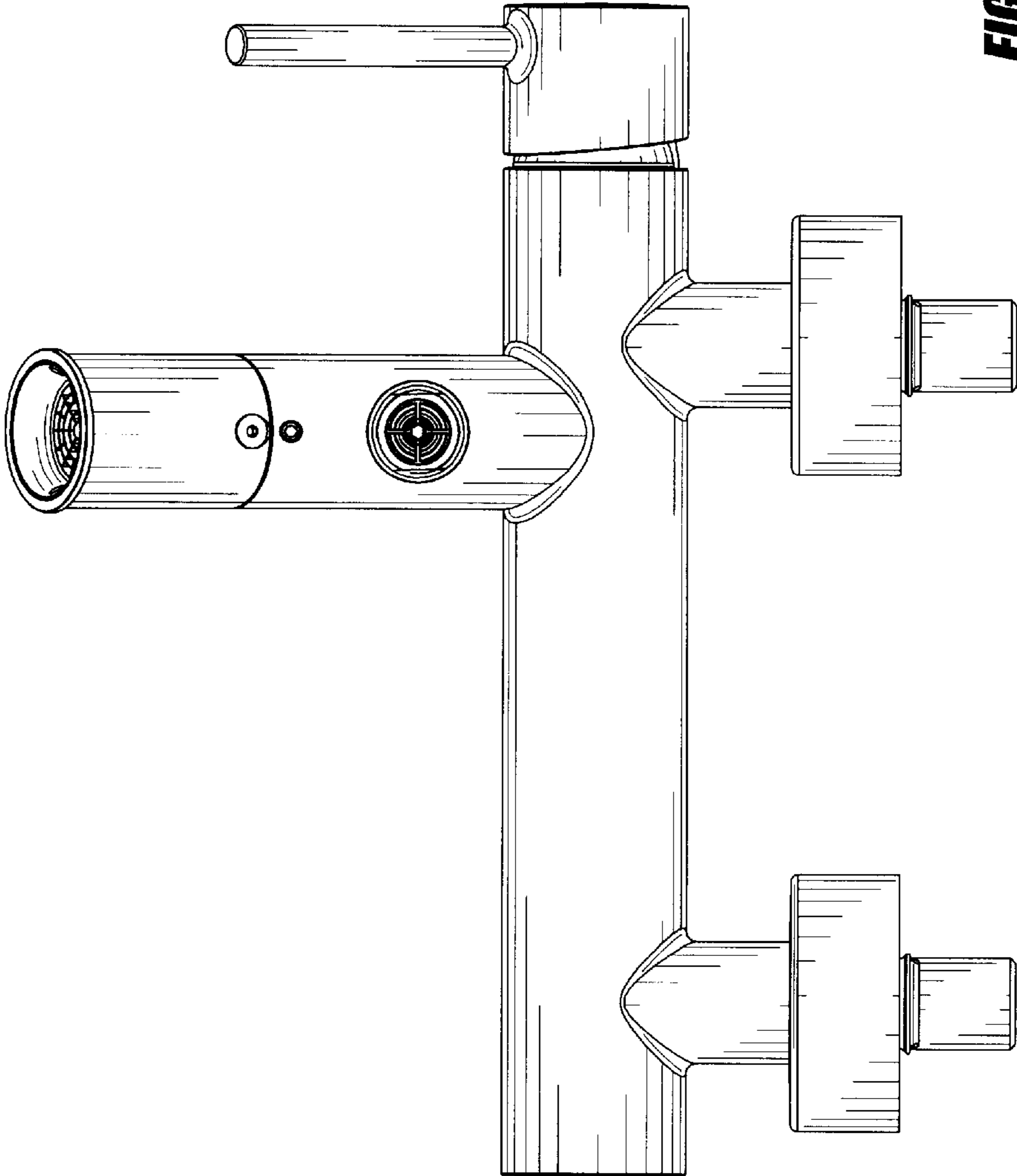


FIG - 6