

US00D514198S

(12) **United States Design Patent**  
**Starck**

(10) **Patent No.:** **US D514,198 S**  
(45) **Date of Patent:** **\*\* Jan. 31, 2006**

(54) **FAUCET ASSEMBLY**

(75) **Inventor:** **Philippe Starck, Paris (FR)**

(73) **Assignee:** **Hansgrohe AG (DE)**

(\*\*) **Term:** **14 Years**

(21) **Appl. No.:** **29/209,103**

(22) **Filed:** **Jul. 9, 2004**

(30) **Foreign Application Priority Data**

Jan. 14, 2004 (EP) ..... 125000-0009

(51) **LOC (8) Cl.** ..... **23-01**

(52) **U.S. Cl.** ..... **D23/238; D23/255; D23/257**

(58) **Field of Classification Search** ..... **D23/238-257;**  
**4/675-678; 137/801**

See application file for complete search history.

(56) **References Cited**

**U.S. PATENT DOCUMENTS**

D363,763 S \* 10/1995 Starck ..... D23/243

D420,430 S \* 2/2000 Lobermeier ..... D23/238  
D461,529 S \* 8/2002 Gottwald ..... D23/242  
D466,977 S \* 12/2002 Cummings ..... D23/238  
D481,445 S \* 10/2003 Haug et al. .... D23/238

\* cited by examiner

*Primary Examiner*—Louis S. Zarfaz

*Assistant Examiner*—Gregory Andoll

(74) *Attorney, Agent, or Firm*—Kwadjo Adusei-Poku;  
Lloyd D. Doigan

(57) **CLAIM**

The ornamental design for a faucet assembly, as shown and described.

**DESCRIPTION**

FIG. 1 is a front perspective view of a faucet assembly showing my new design;

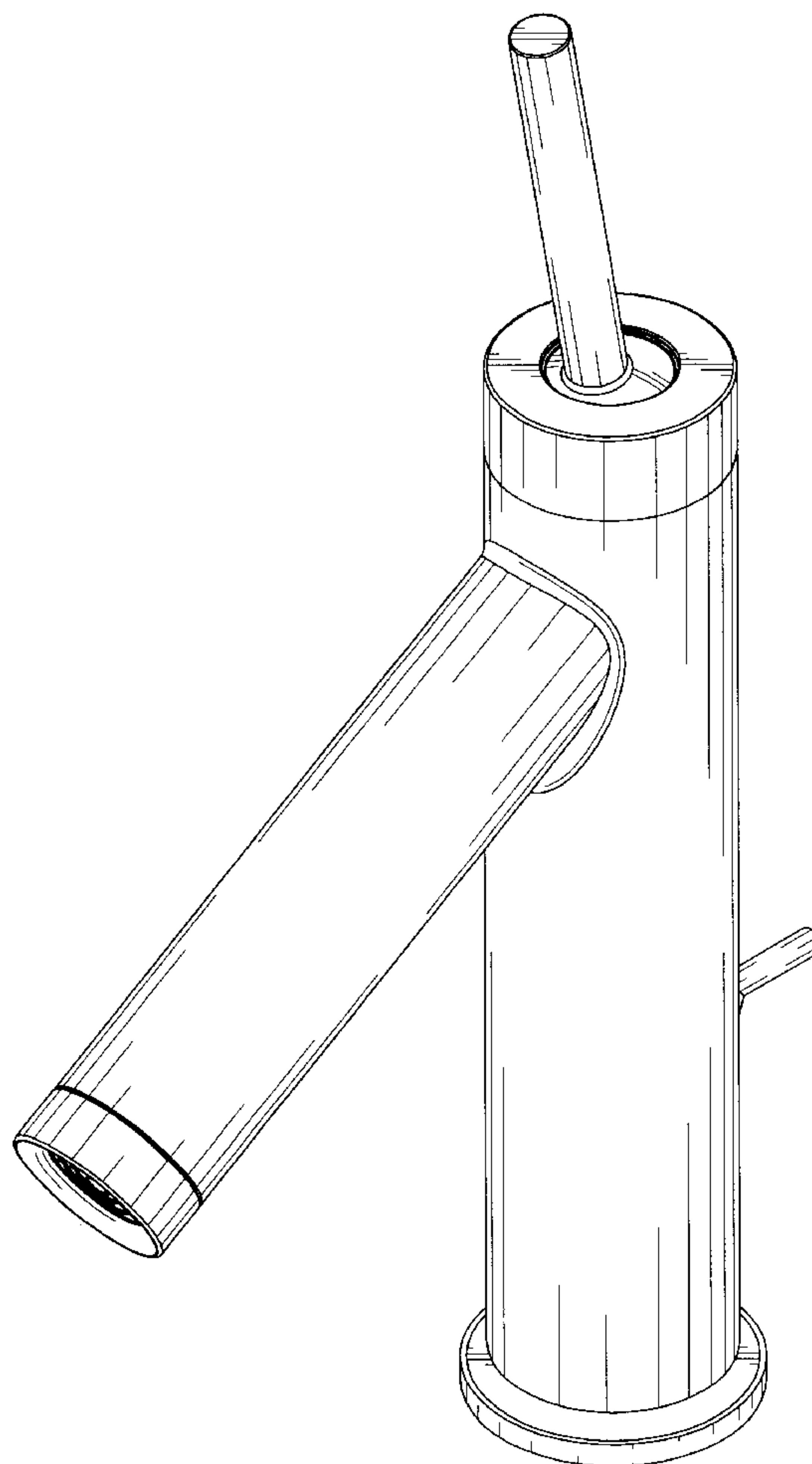
FIG. 2 is a left side elevational view thereof;

FIG. 3 is a front elevational view thereof;

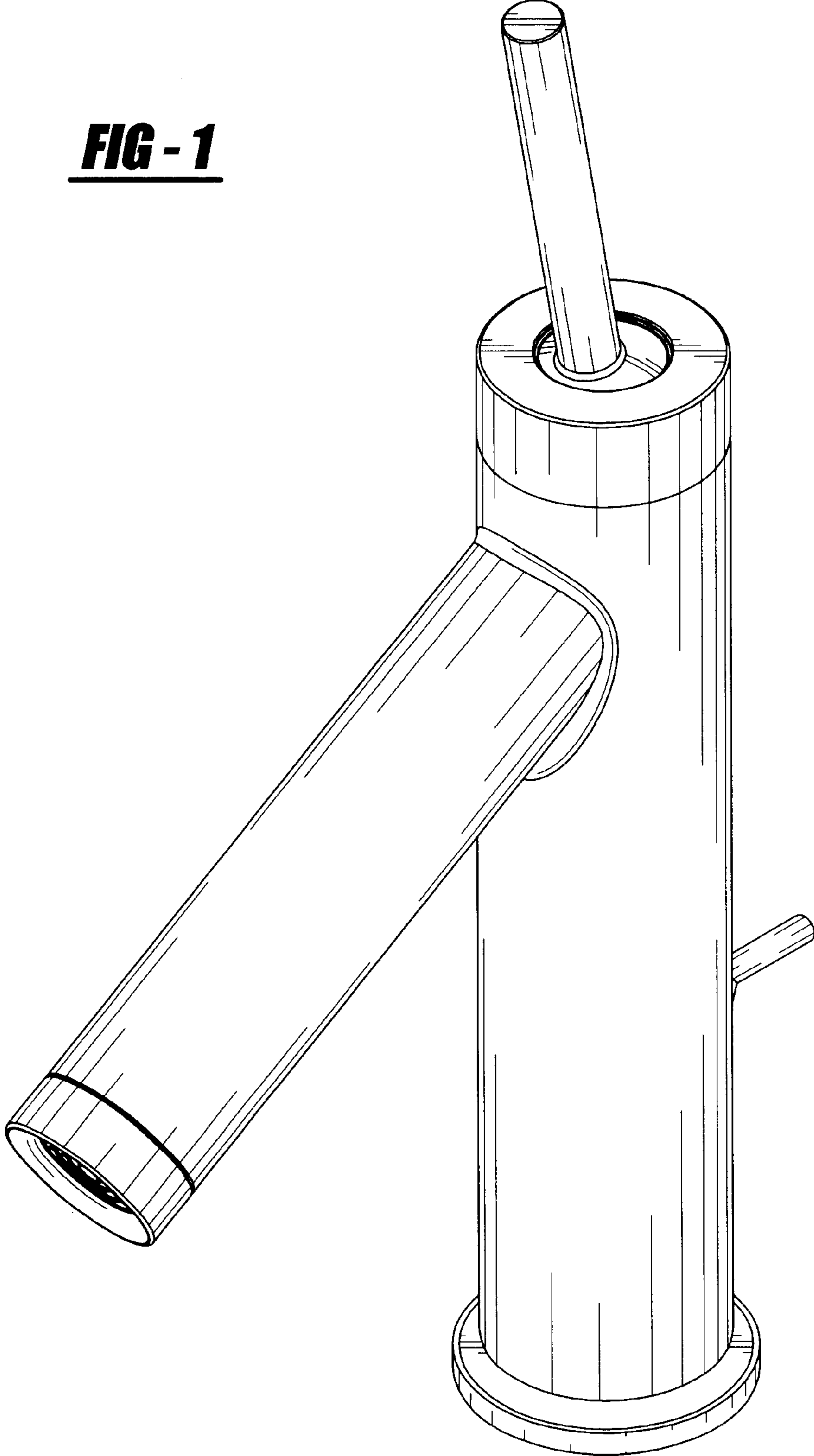
FIG. 4 is a rear elevational view thereof; and,

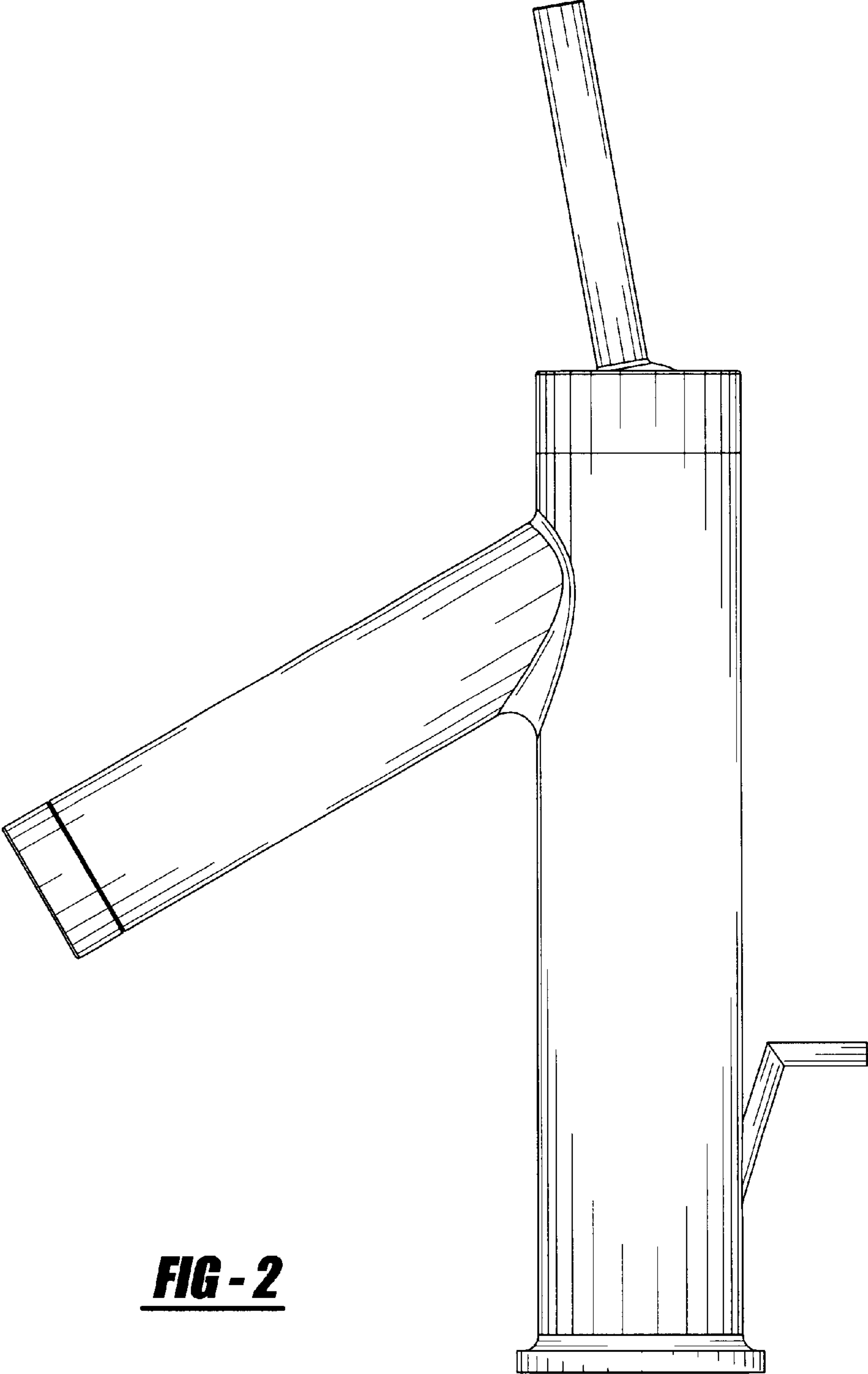
FIG. 5 is a right side elevational view thereof.

**1 Claim, 4 Drawing Sheets**



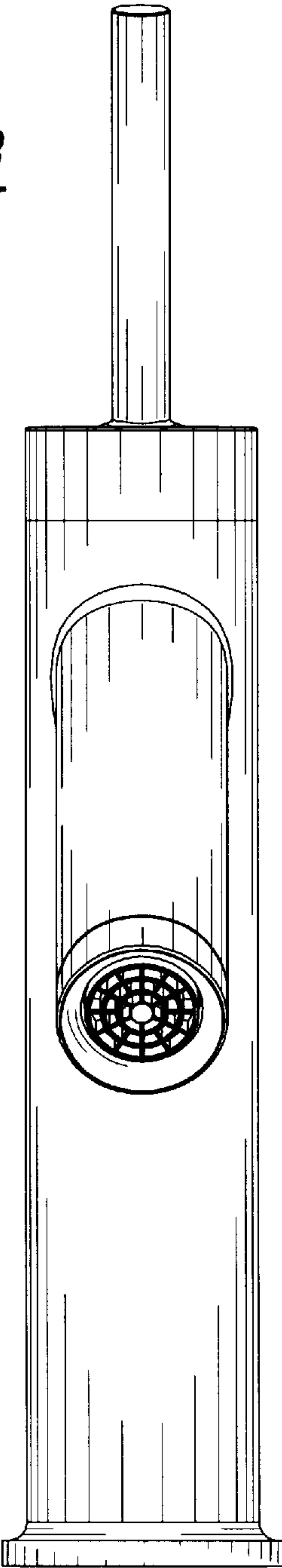
**FIG - 1**



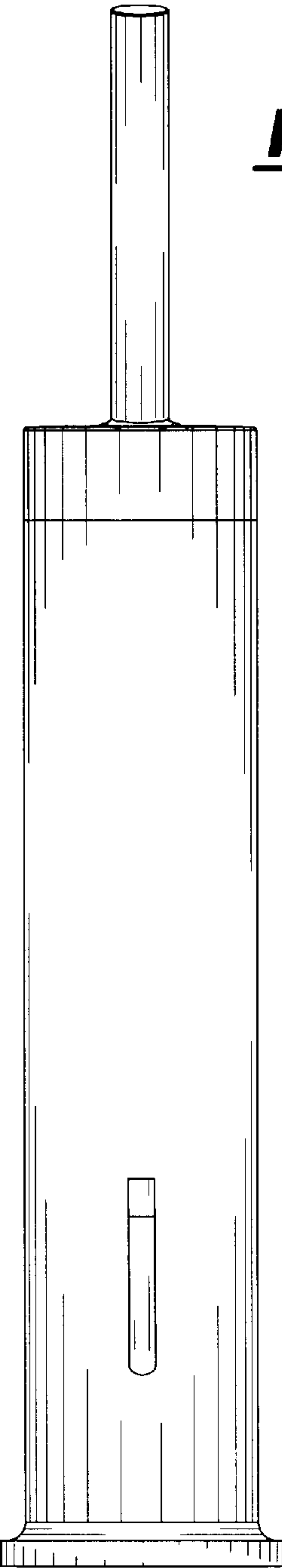


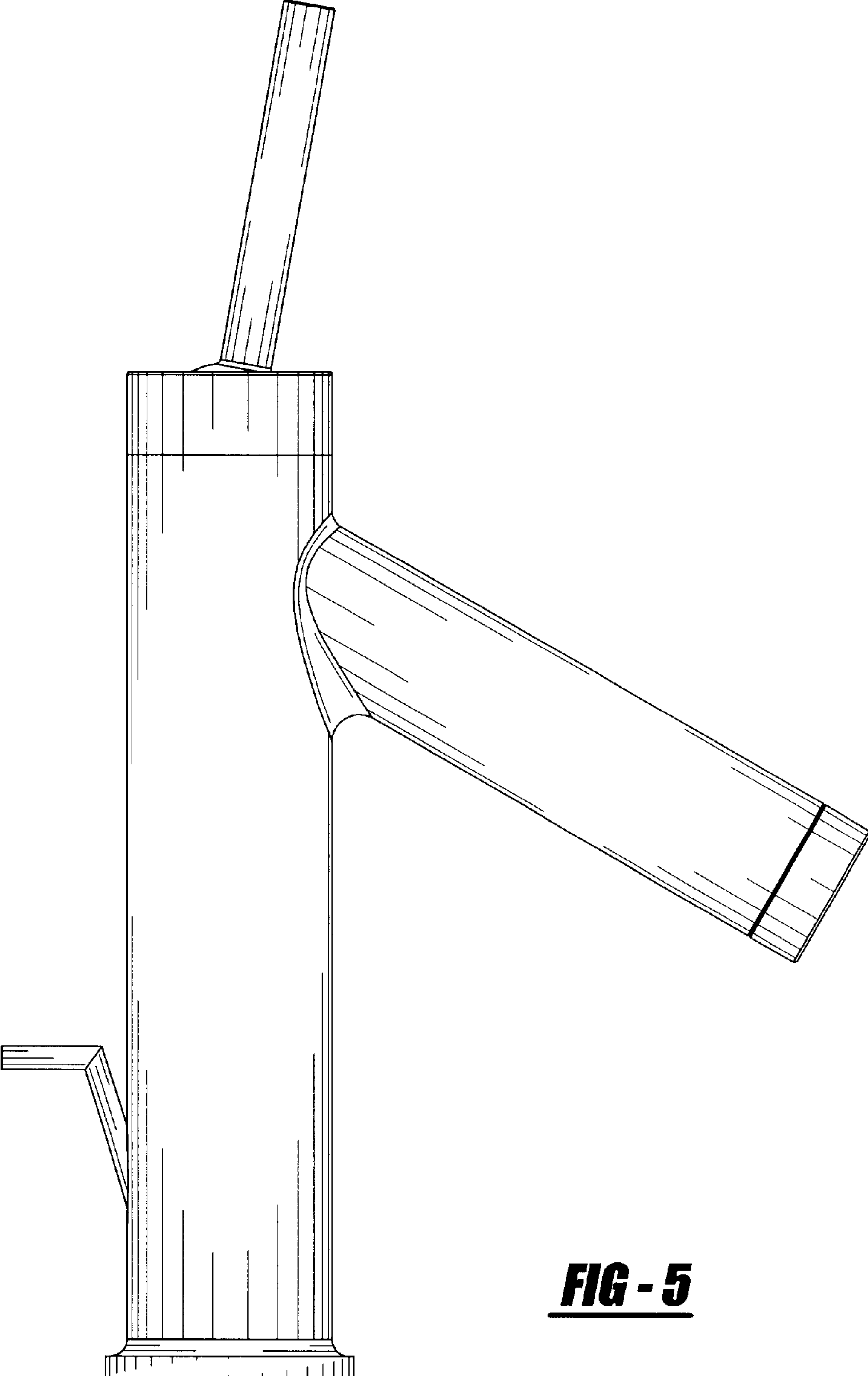
**FIG - 2**

**FIG - 3**



**FIG - 4**





**FIG - 5**