



US00D514192S

(12) **United States Design Patent**
Stoner

(10) **Patent No.:** **US D514,192 S**
(45) **Date of Patent:** **** Jan. 31, 2006**

(54) **SURGE TANK**

(75) **Inventor:** **Thomas A. Stoner**, Pittsburgh, PA (US)

(73) **Assignee:** **Dukane Radiator Co., Inc.**, Duquesne, PA (US)

(**) **Term:** **14 Years**

(21) **Appl. No.:** **29/207,377**

(22) **Filed:** **Jun. 14, 2004**

(51) **LOC (8) Cl.** **23-01**

(52) **U.S. Cl.** **D23/202**

(58) **Field of Classification Search** D23/202-3;
220/565, 567.1, 581, 587

See application file for complete search history.

(56) **References Cited**

U.S. PATENT DOCUMENTS

D201,053 S	*	5/1965	Albinson	D23/202
3,495,732 A	*	2/1970	Clarke et al.	220/560.07
D348,920 S	*	7/1994	Shero	D23/202
D430,919 S	*	9/2000	Claussen	D23/202
D452,294 S	*	12/2001	Harthoorn et al.	D23/202
D490,138 S	*	5/2004	Fritz	D23/202

* cited by examiner

Primary Examiner—Robin V. Taylor

(74) *Attorney, Agent, or Firm*—Kirkpatrick & Lockhart
Nicholson Graham LLP

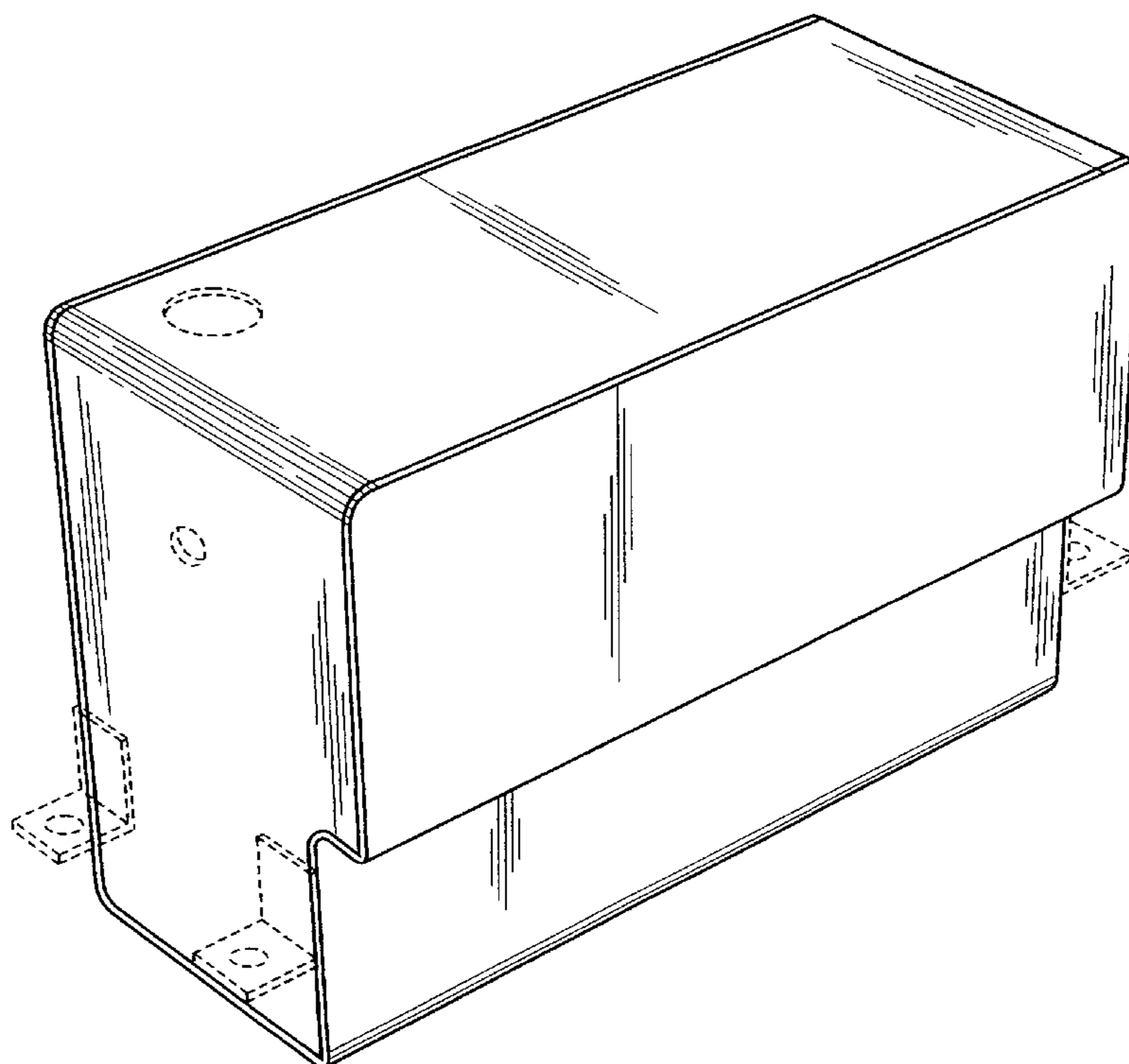
(57) **CLAIM**

The ornamental design for a surge tank, as shown and described.

DESCRIPTION

FIG. 1 is an isometric view of the surge tank showing my new design shown with environmental structure;
 FIG. 2 is a right side elevation view of the surge tank depicted in FIG. 1;
 FIG. 3 is a left side elevational view of the surge tank depicted in FIG. 1;
 FIG. 4 is a front view of the surge tank of FIG. 1;
 FIG. 5 is a rear view of the surge tank of FIG. 1;
 FIG. 6 is a top view of the surge tank of FIG. 1;
 FIG. 7 is a bottom view of the surge tank of FIG. 1;
 FIG. 8 is an isometric view of the surge tank shown without environmental structure;
 FIG. 9 is a right side elevational view of the surge tank depicted in FIG. 8;
 FIG. 10 is a left side elevational view of the surge tank depicted in FIG. 8;
 FIG. 11 is a front elevation view of the surge tank depicted in FIG. 8;
 FIG. 12 is a back elevation view of the surge tank depicted in FIG. 8;
 FIG. 13 is a top view of the surge tank in FIG. 8; and,
 FIG. 14 is a bottom view of the surge tank in FIG. 8.
 The broken lines showing fittings and support members in FIGS. 1-7 depict an environment for illustrative purposes only and form no part of the claimed design.

1 Claim, 8 Drawing Sheets



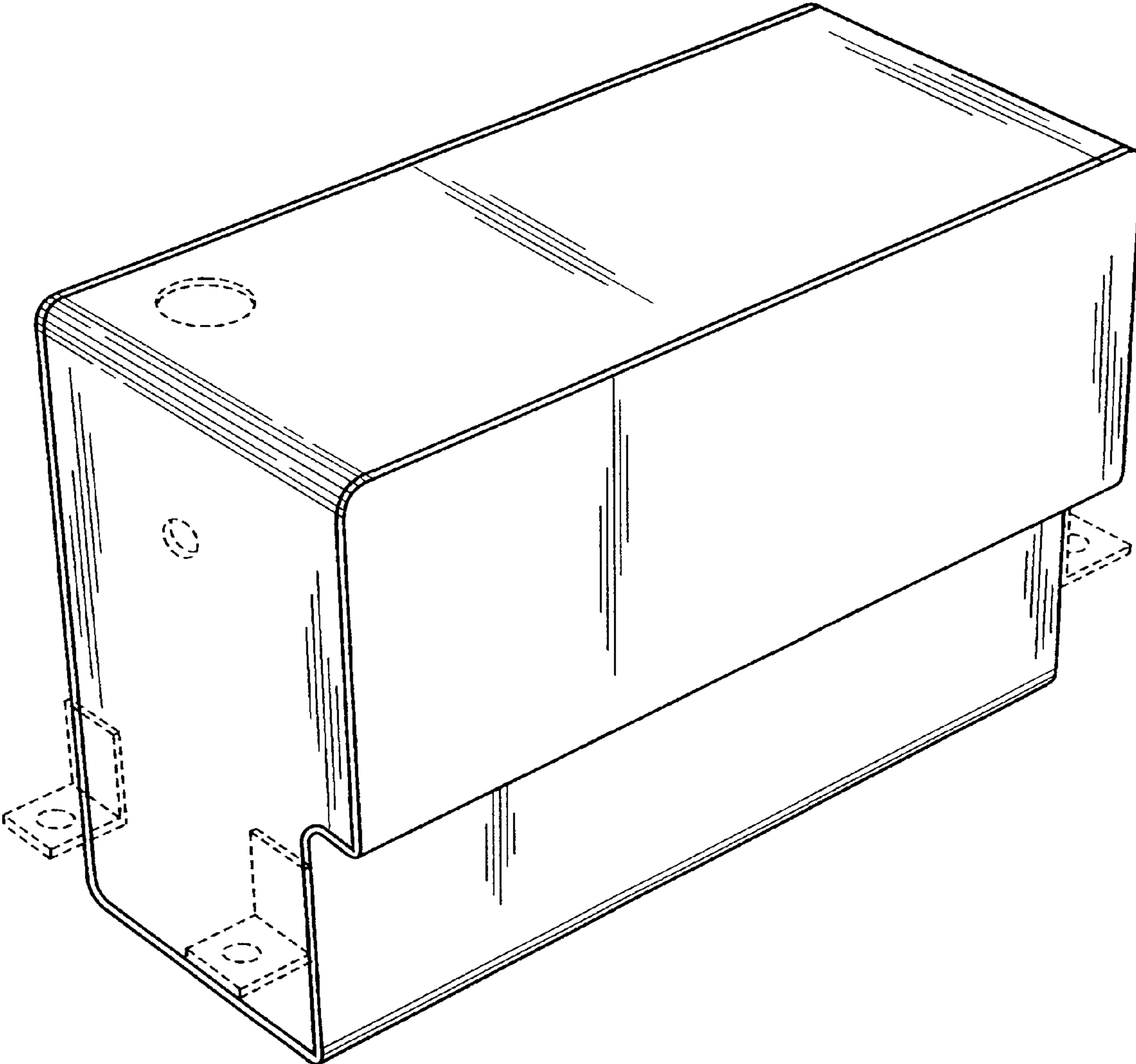


Fig.1

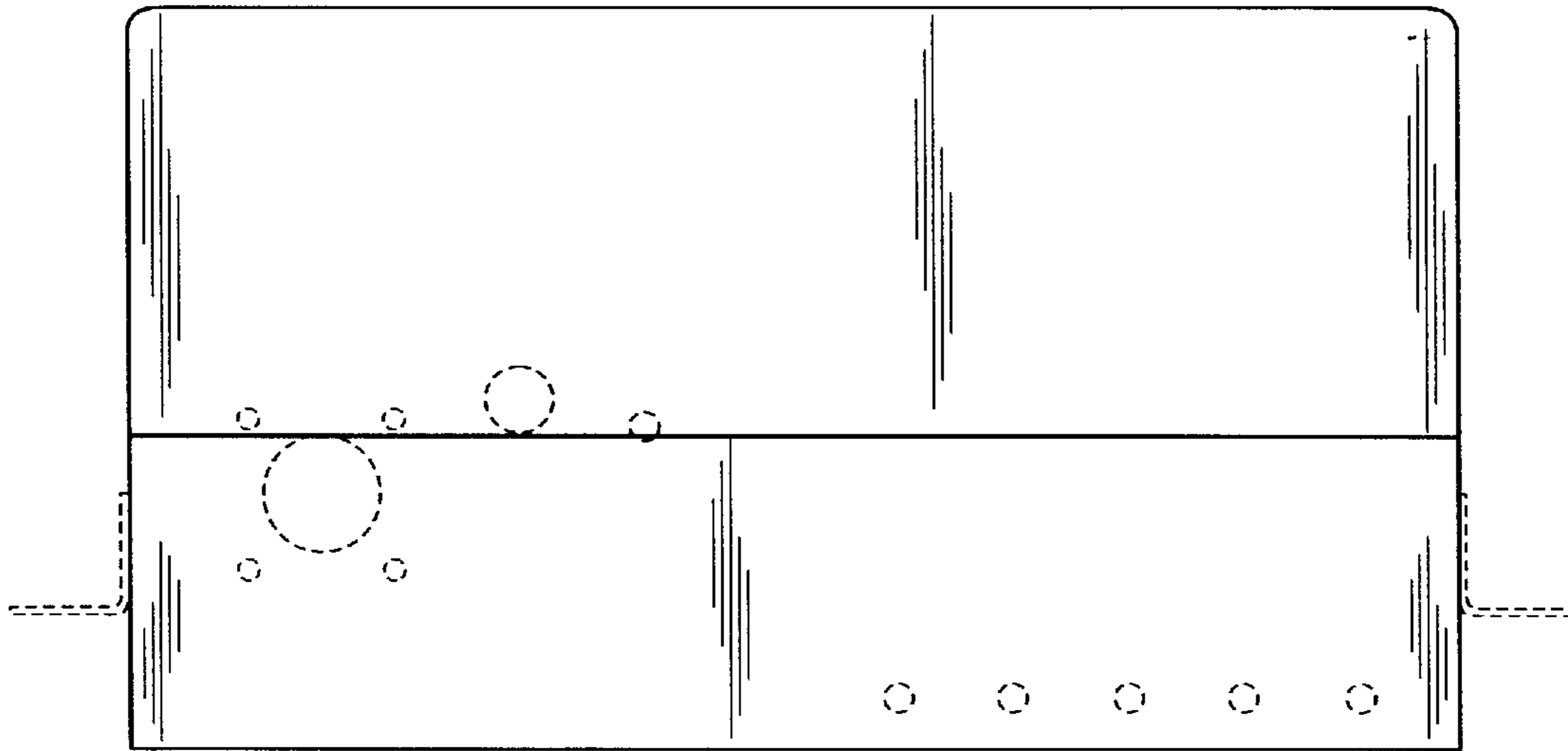


Fig.2

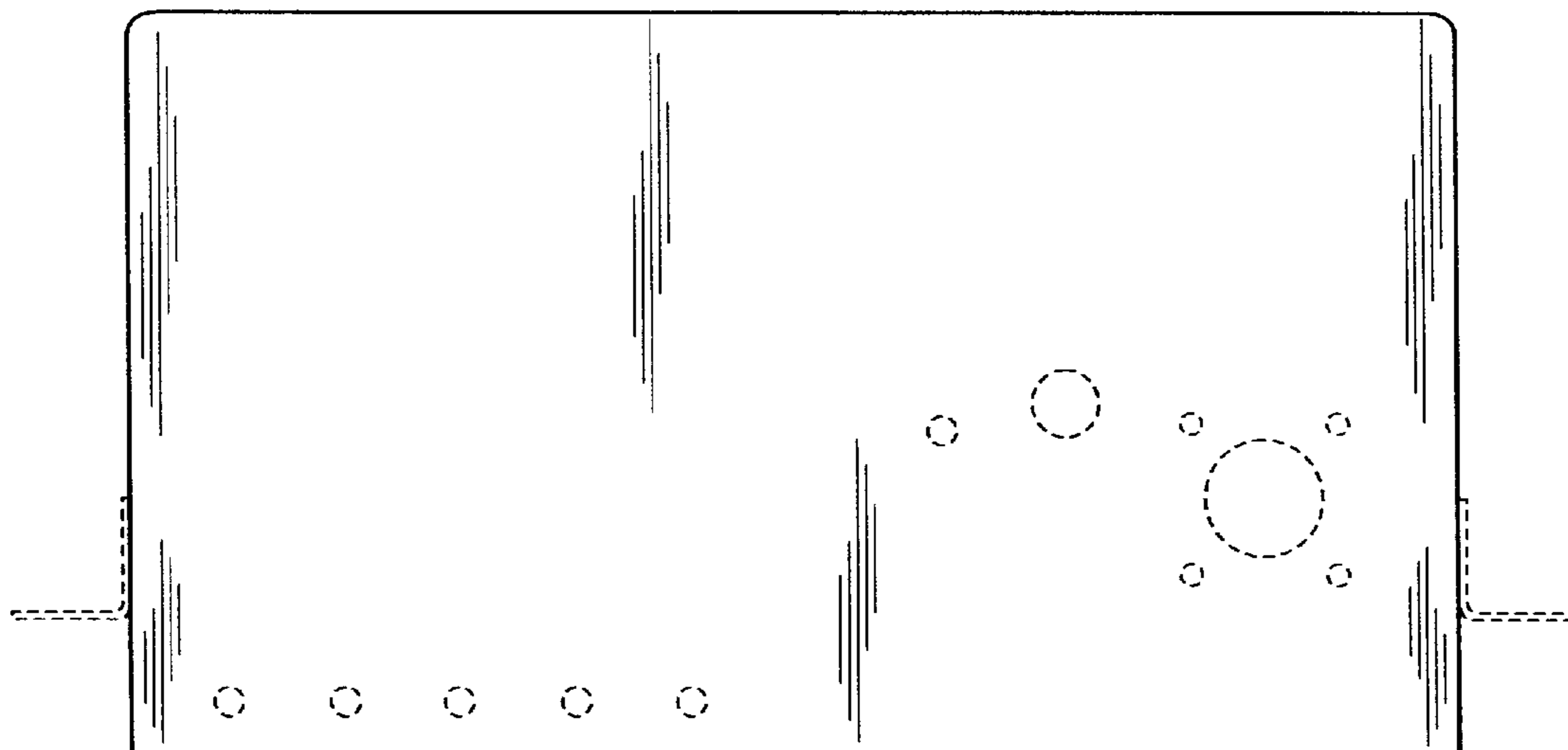


Fig.3

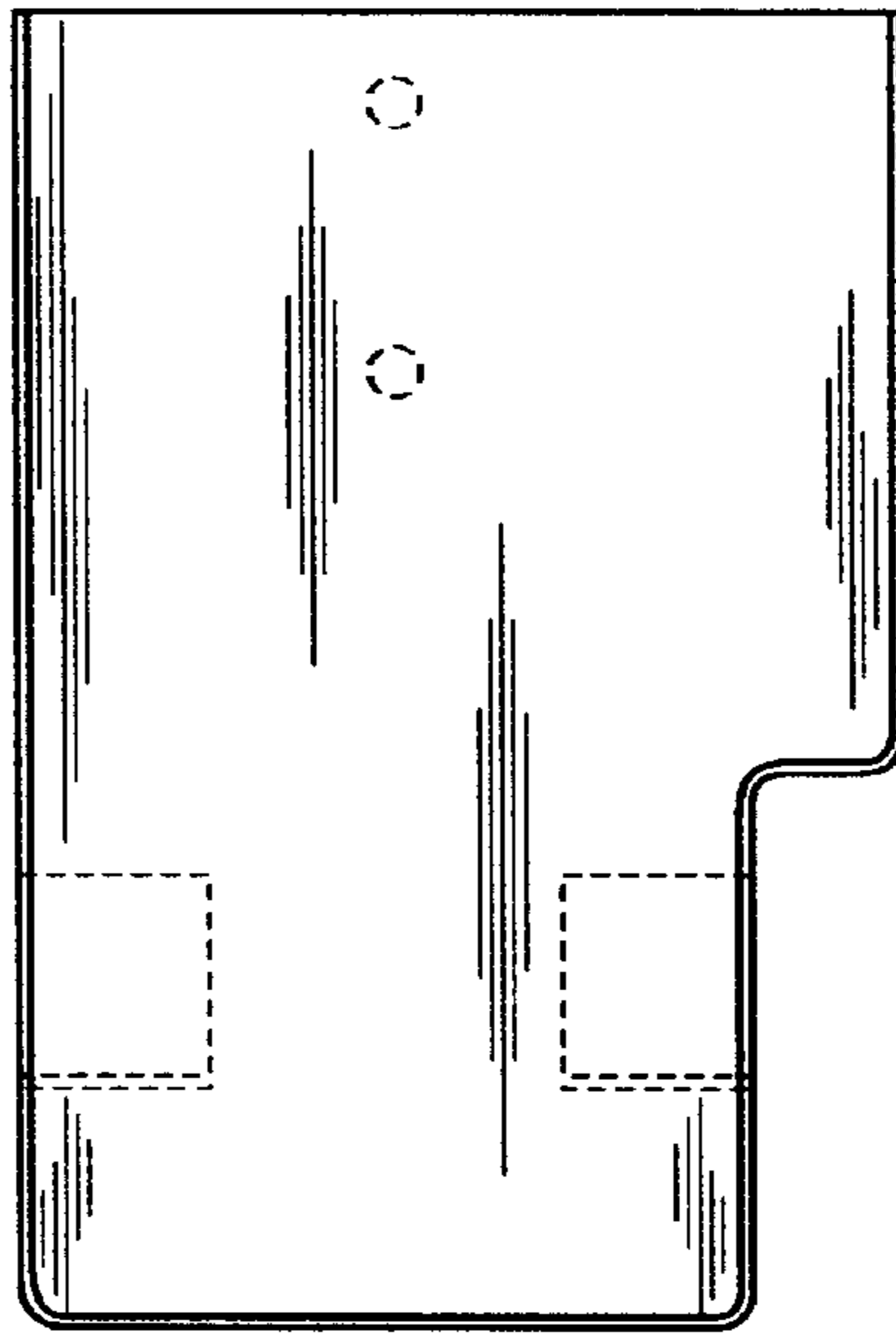


Fig.4

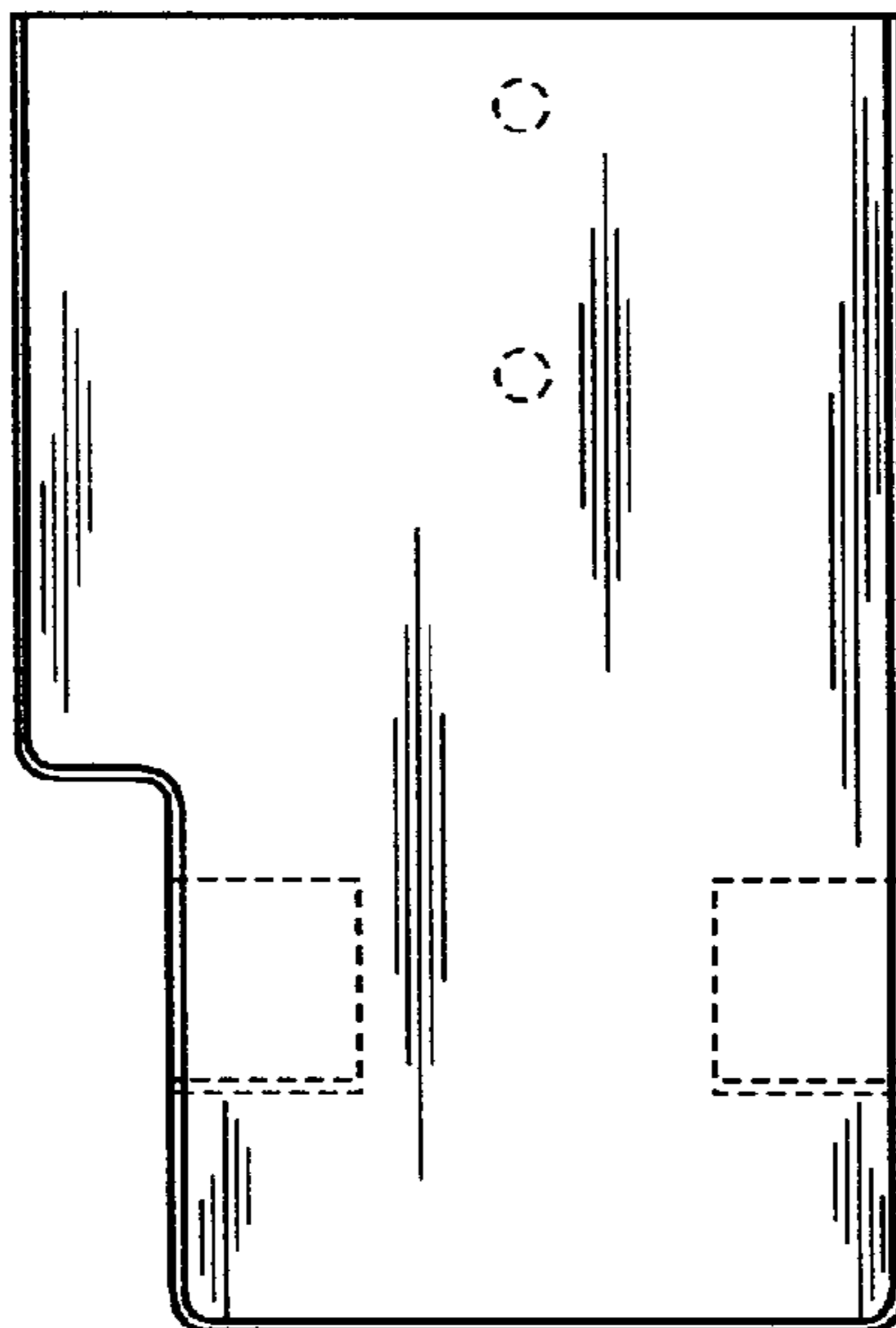


Fig.5

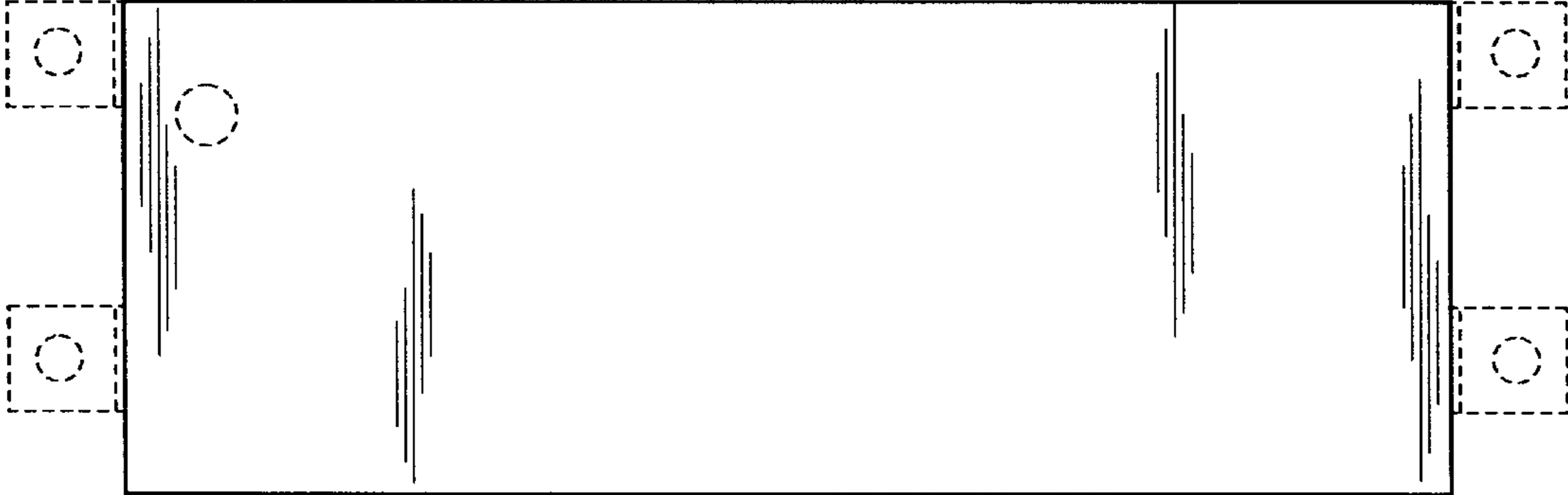


Fig. 6

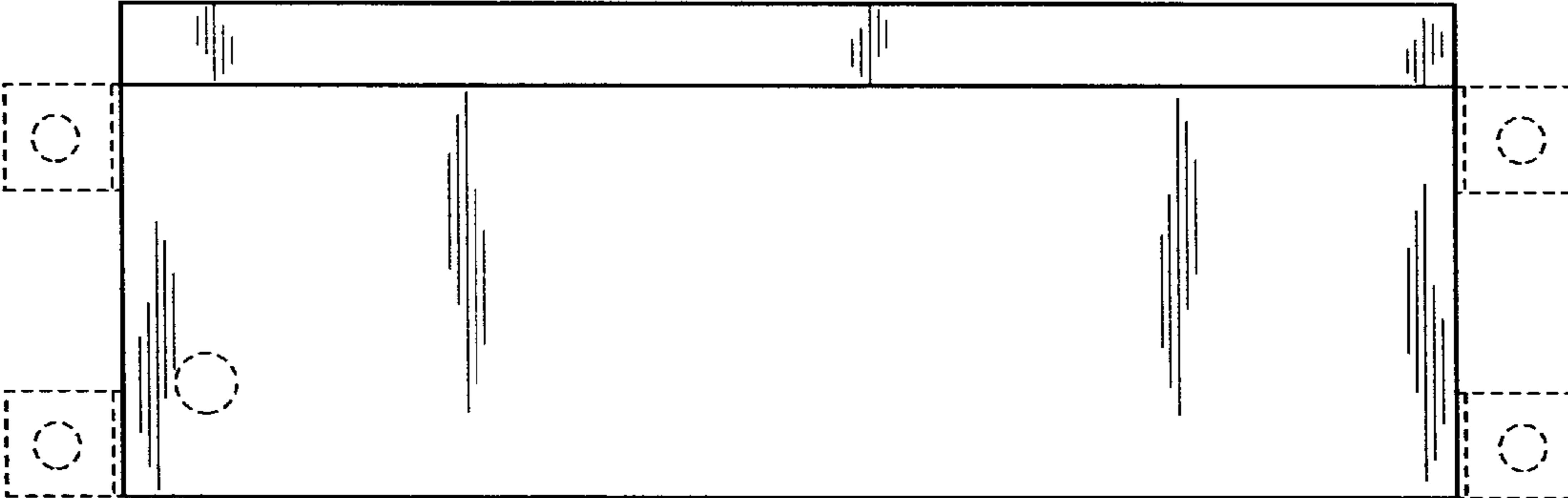


Fig. 7

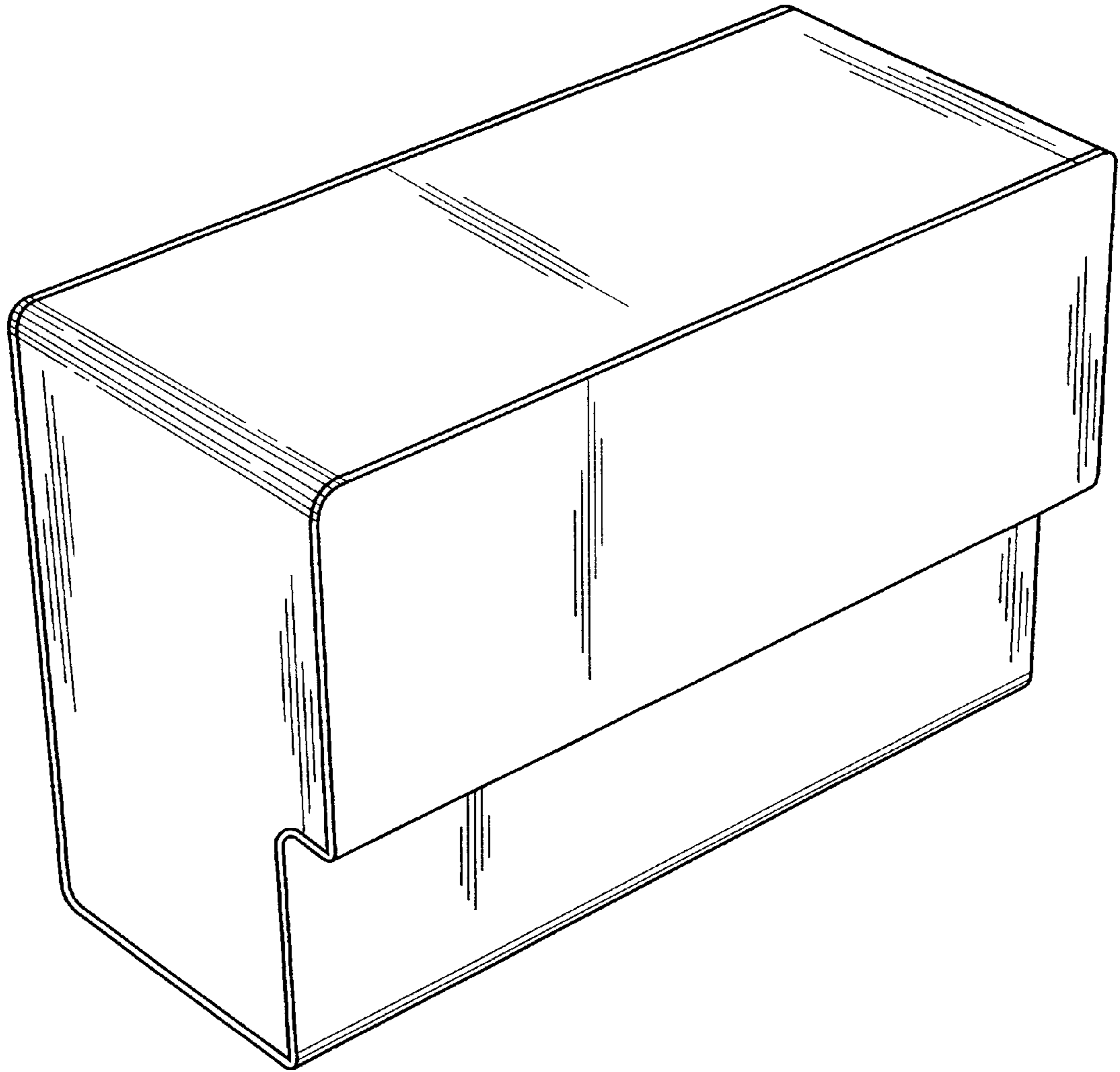


Fig.8

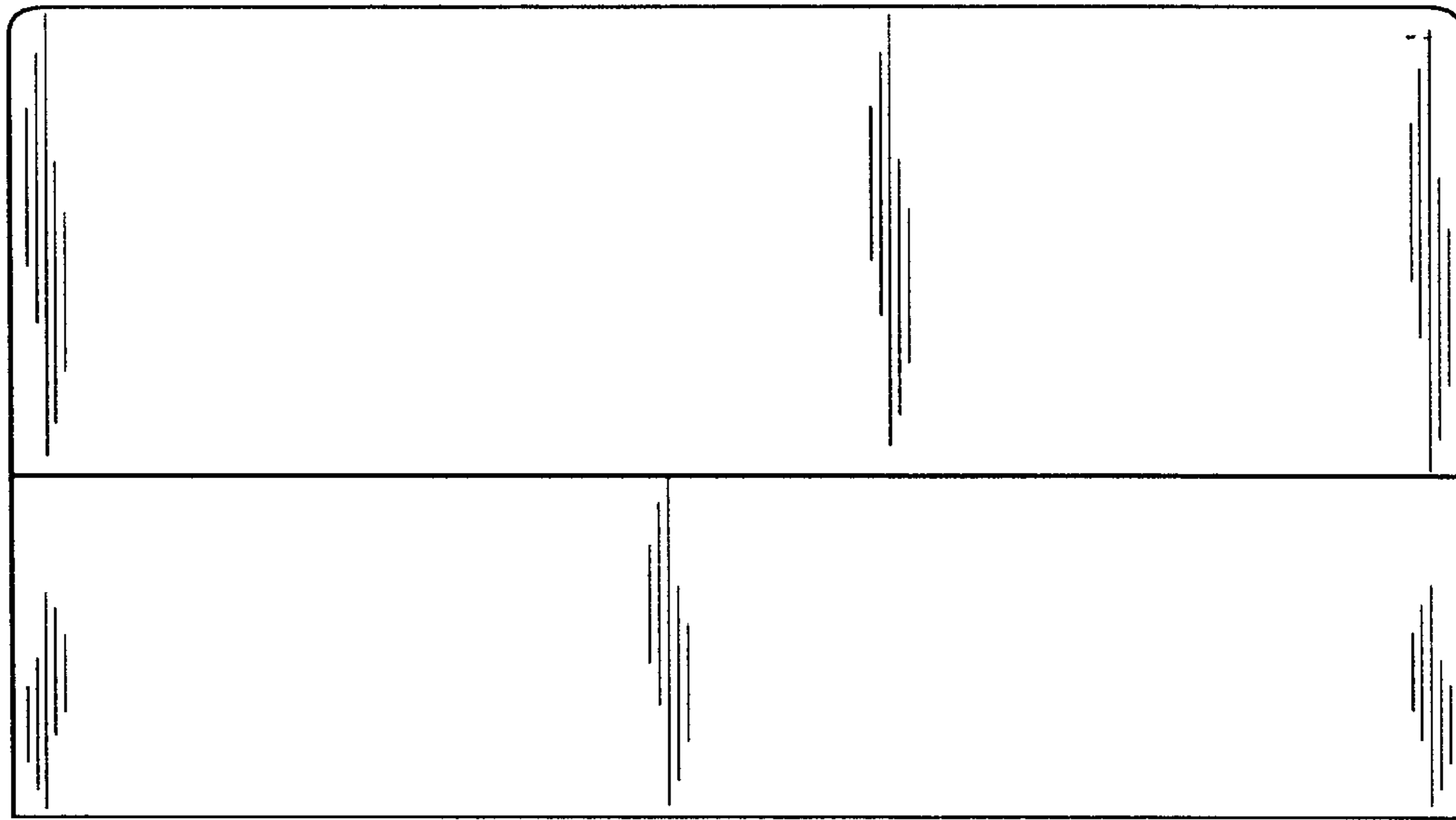


Fig. 9

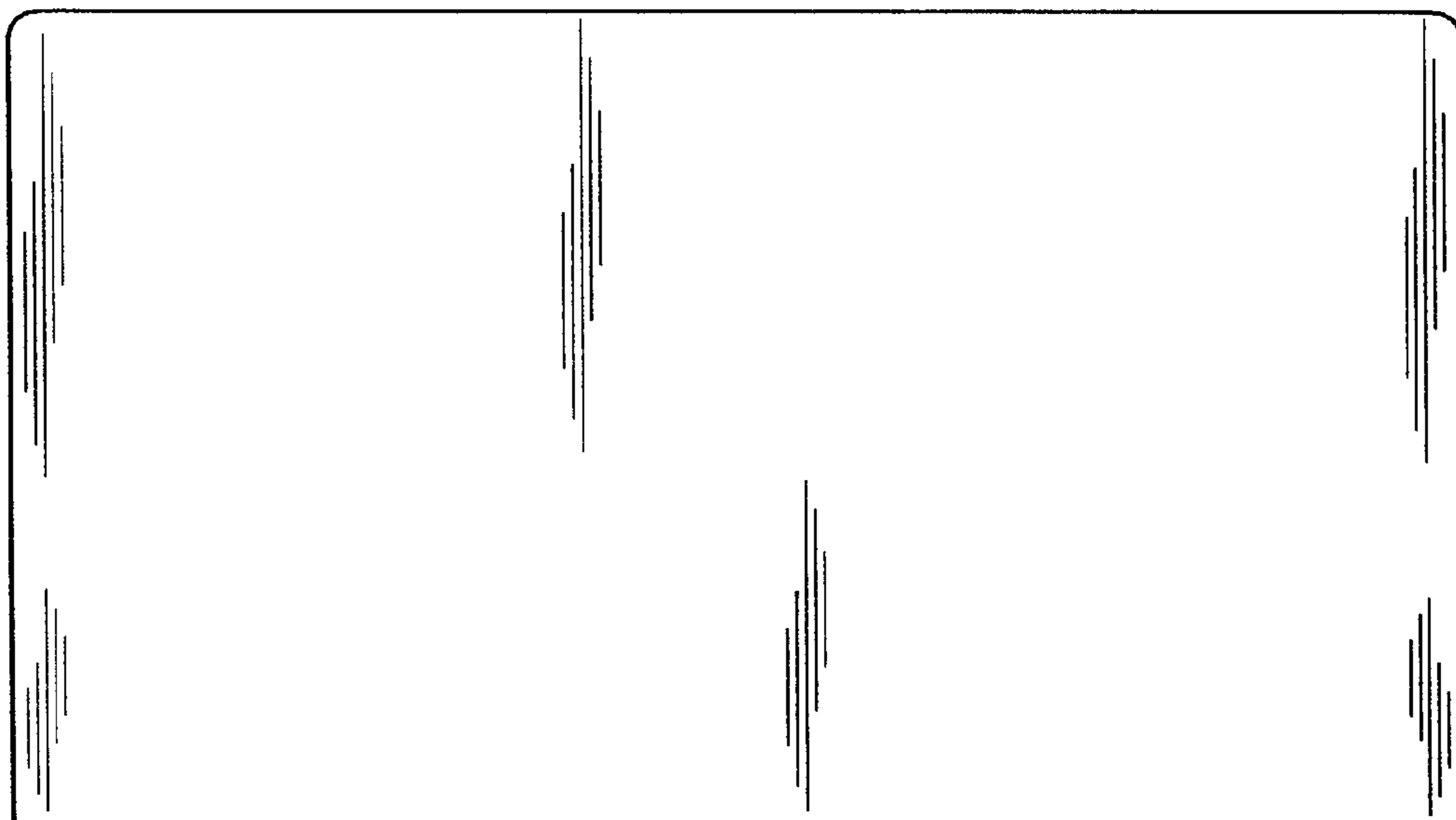


Fig. 10

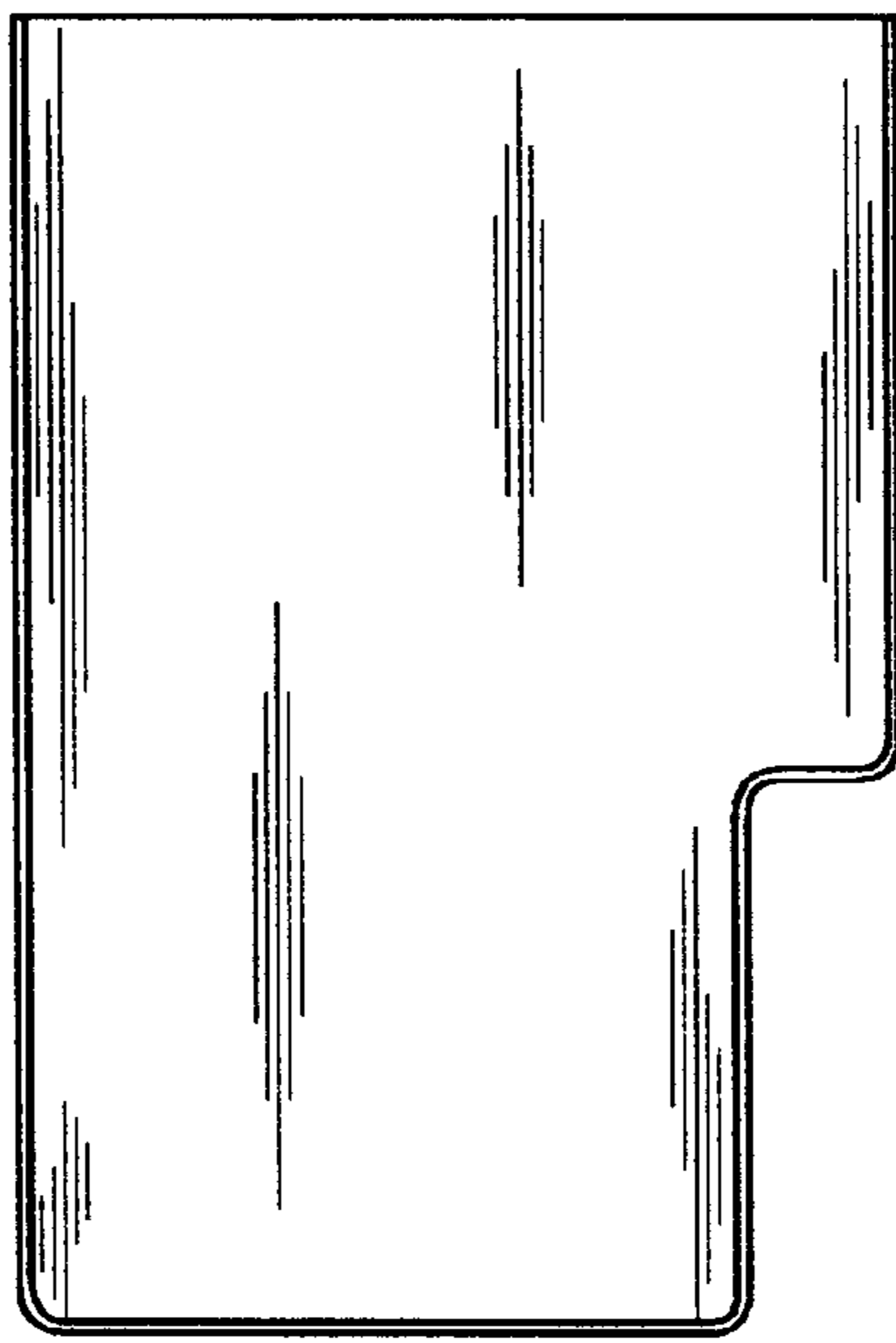


Fig. 11

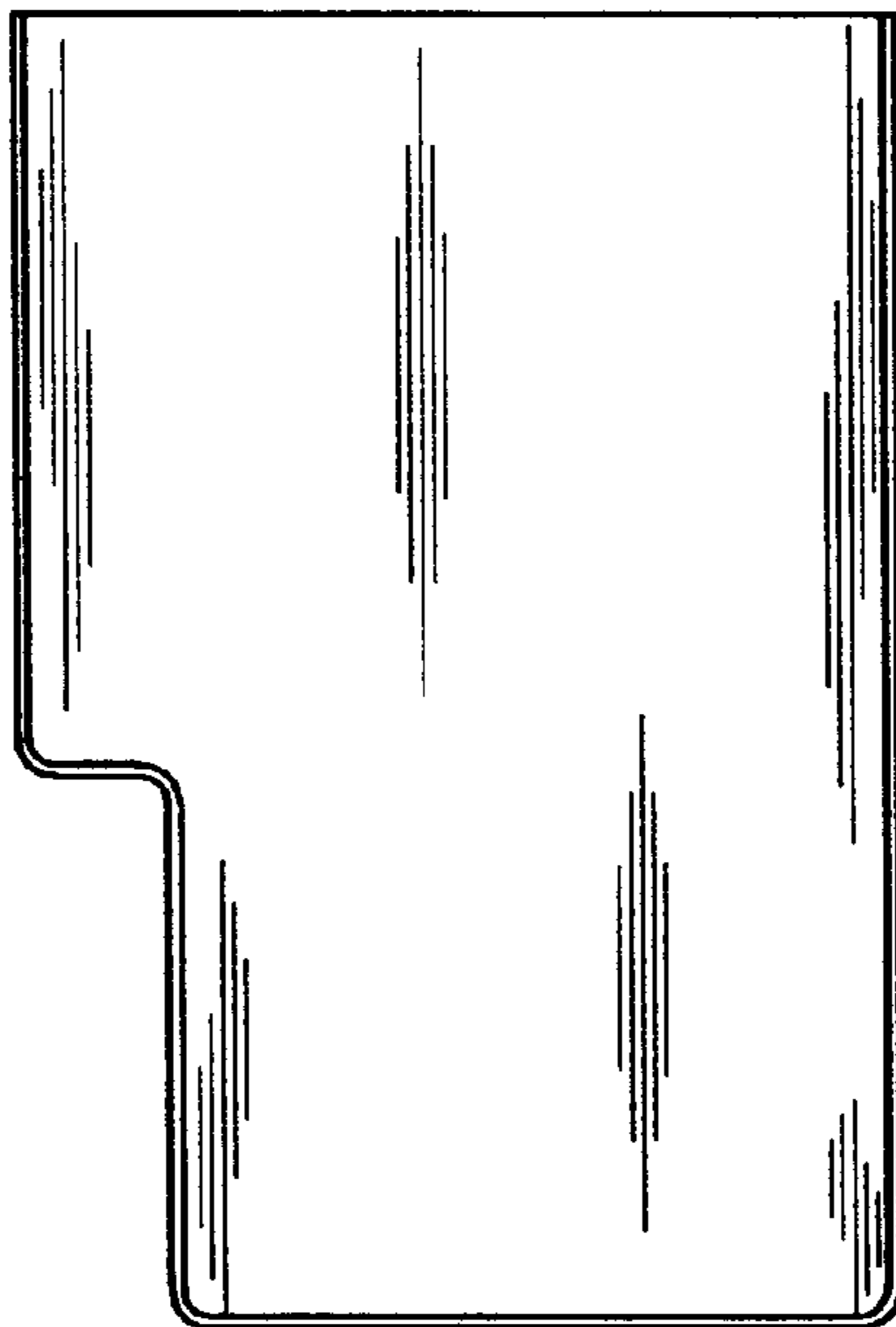


Fig. 12

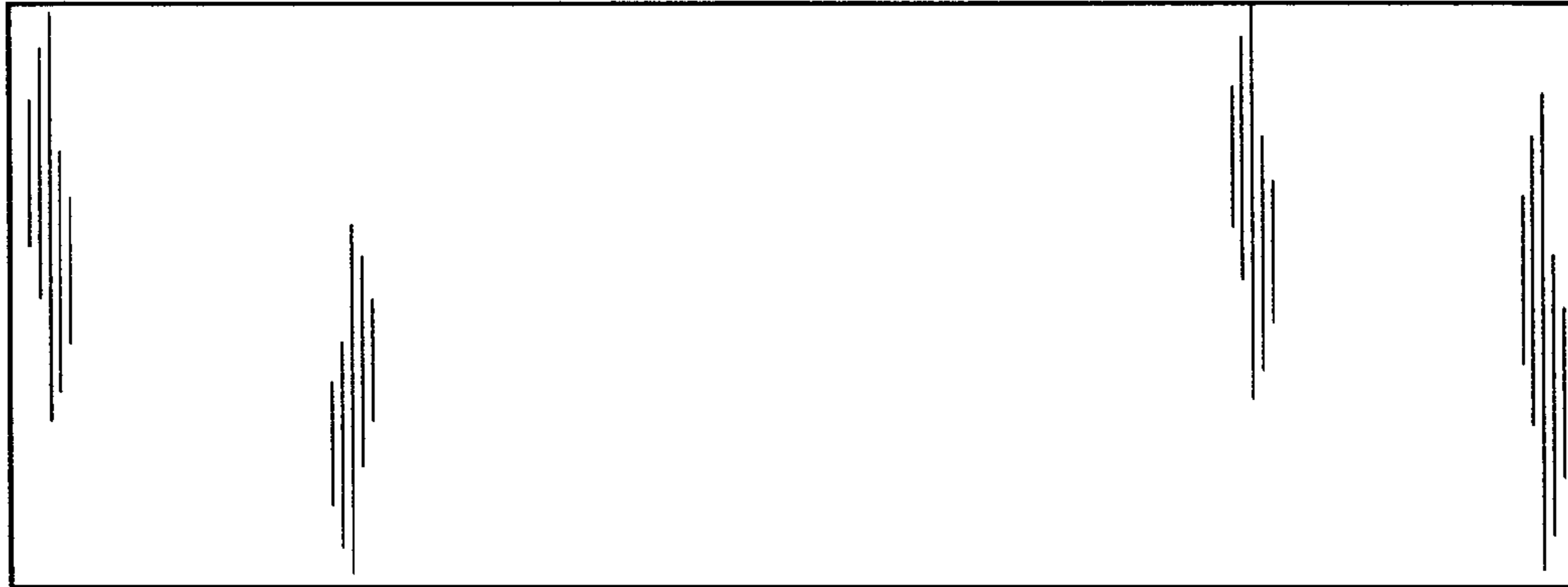


Fig.13

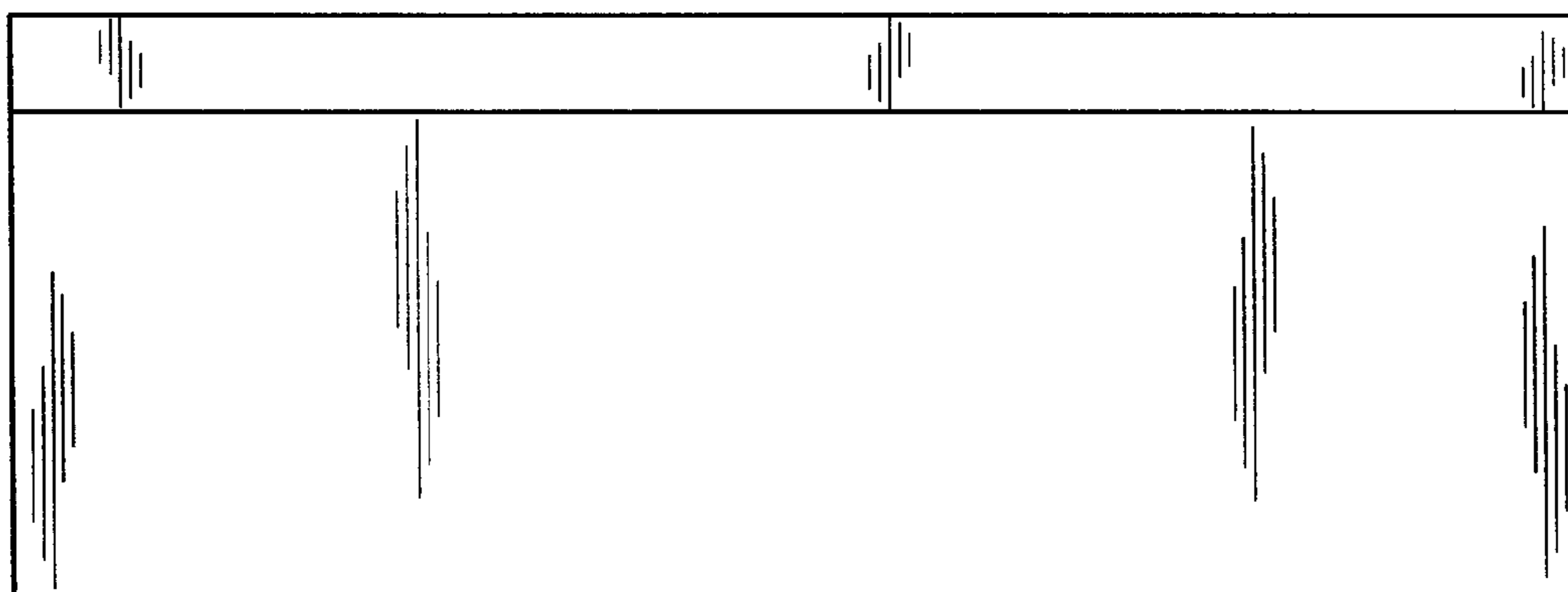


Fig.14