



US00D514191S

(12) **United States Design Patent**  
**Mah**

(10) **Patent No.:** **US D514,191 S**

(45) **Date of Patent:** **\*\* Jan. 31, 2006**

(54) **FLOAT**

(76) **Inventor:** **Pat Y. Mah**, 8C Leroy Plaza, 15  
Cheung Shun Street, Cheung Sha Wan,  
Kowloon, Hong Kong (CN)

(\*\*) **Term:** **14 Years**

(21) **Appl. No.:** **29/196,644**

(22) **Filed:** **Dec. 31, 2003**

(51) **LOC (8) Cl.** ..... **22-05**

(52) **U.S. Cl.** ..... **D22/146**

(58) **Field of Classification Search** ..... D22/146,  
D22/145, 134, 199; 43/17.5, 44.9, 44.91,  
43/43.1, 43.14, 17

See application file for complete search history.

(56) **References Cited**

**U.S. PATENT DOCUMENTS**

4,916,846 A \* 4/1990 Pehm ..... 43/17.5

D453,950 S \* 2/2002 Kurachi ..... D22/145  
D458,663 S \* 6/2002 De Frisco ..... D22/146  
D499,462 S \* 12/2004 Shular ..... D22/146

\* cited by examiner

*Primary Examiner*—Catherine R. Oliver

(74) *Attorney, Agent, or Firm*—Curtis L. Harrington

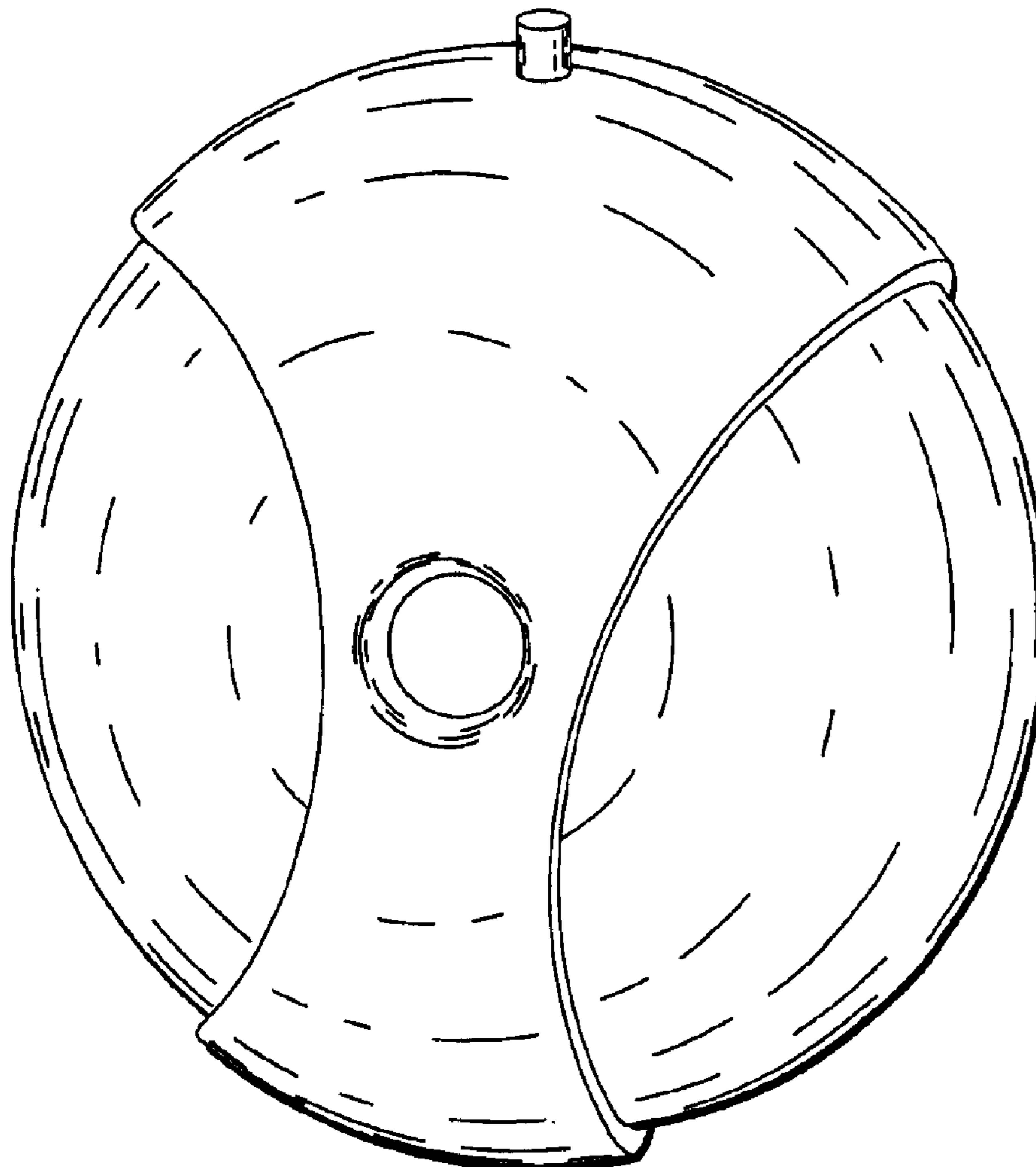
(57) **CLAIM**

The ornamental design for a float, as shown and described.

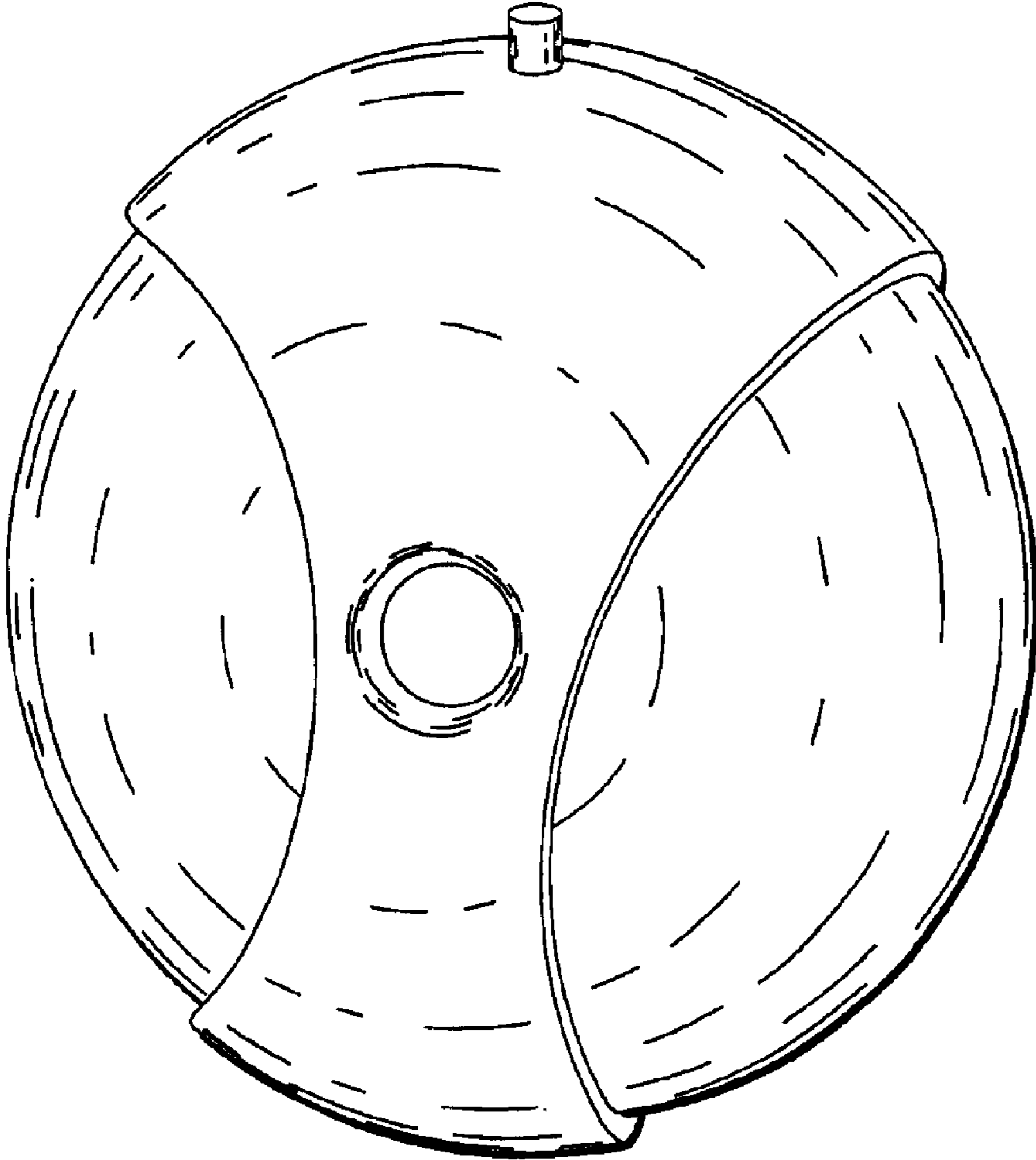
**DESCRIPTION**

FIG. 1 is a perspective view of the float;  
FIG. 2 is a front view;  
FIG. 3 is a rear view;  
FIG. 4 is a top view;  
FIG. 5 is a bottom view;  
FIG. 6 is a right side view; and,  
FIG. 7 is a left side view.

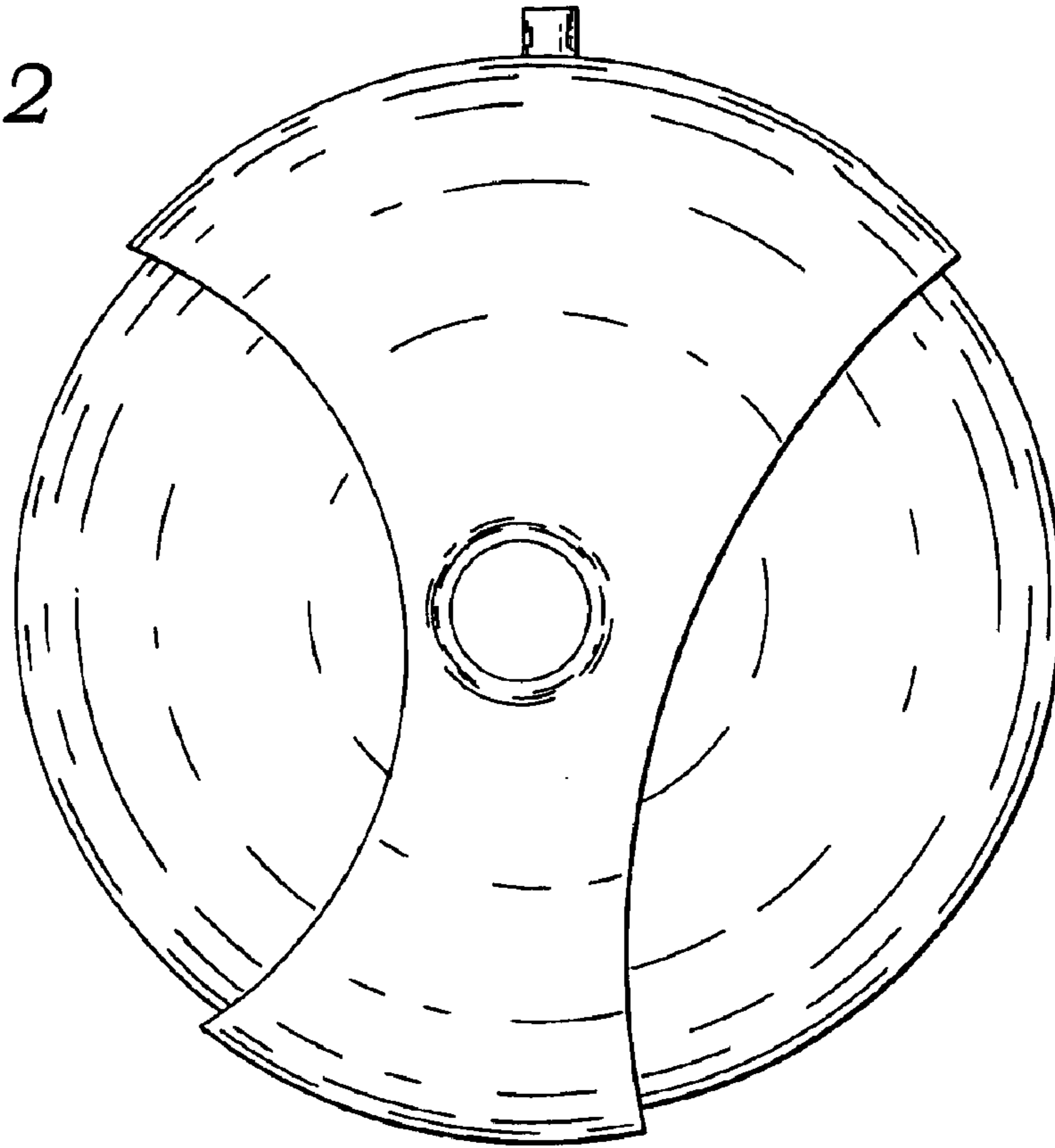
**1 Claim, 3 Drawing Sheets**



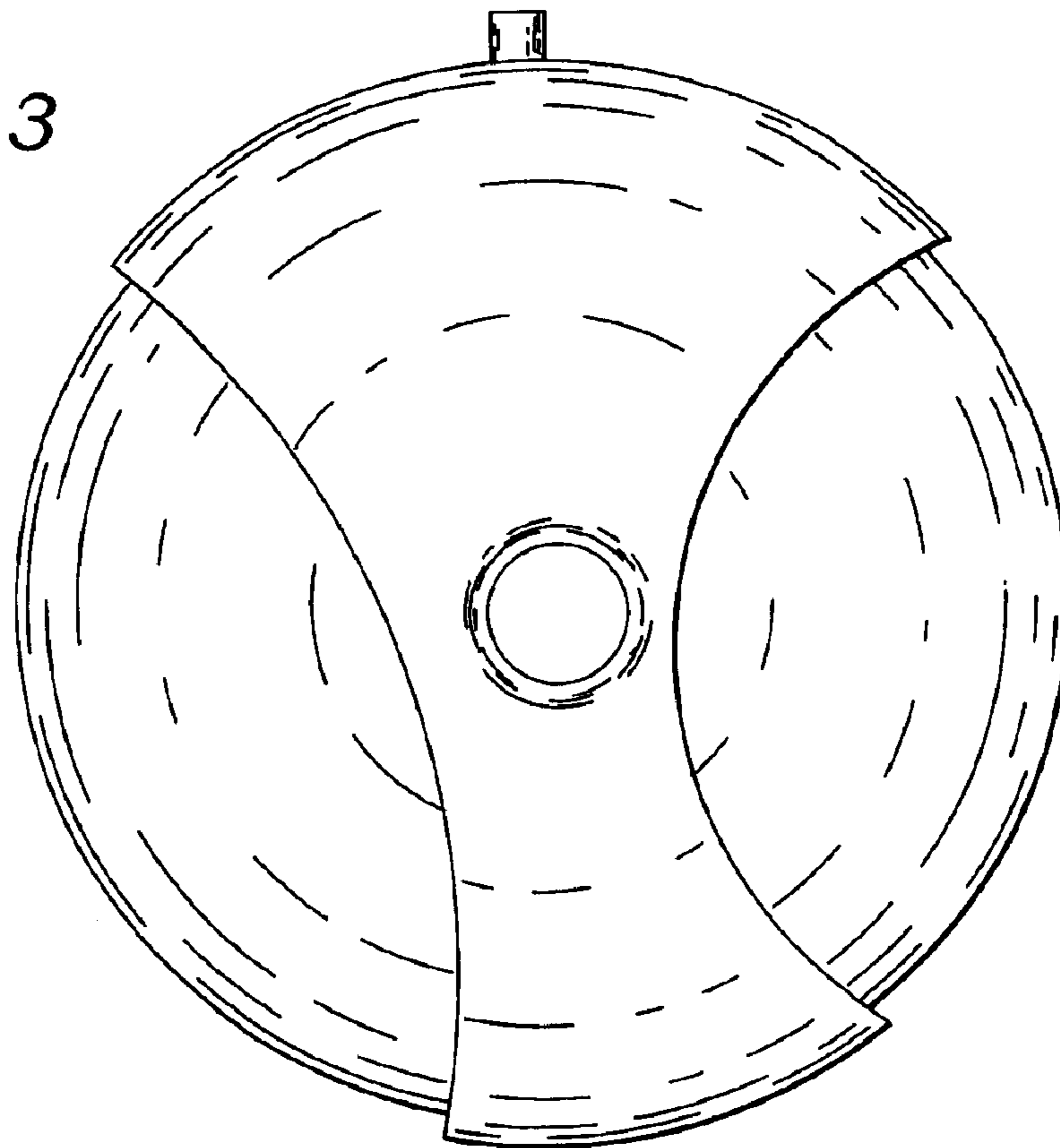
*Fig. 1*



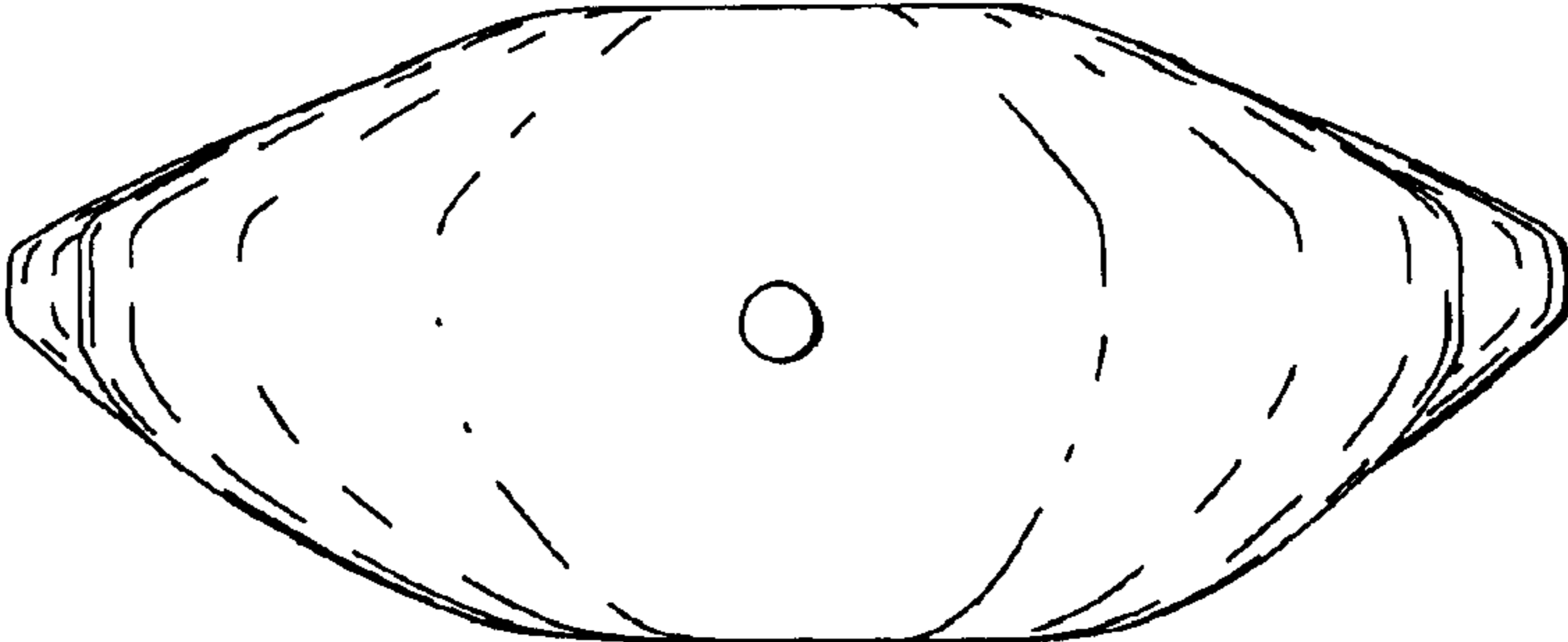
*Fig. 2*



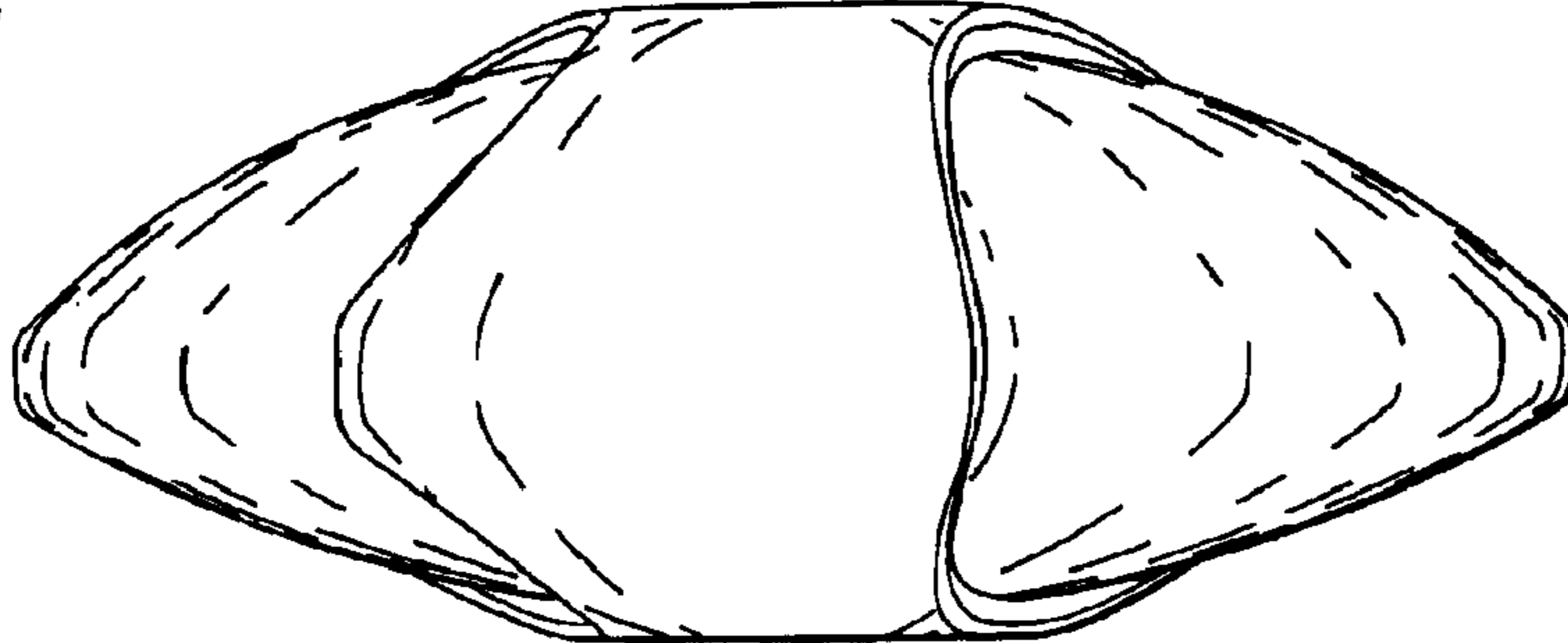
*Fig. 3*



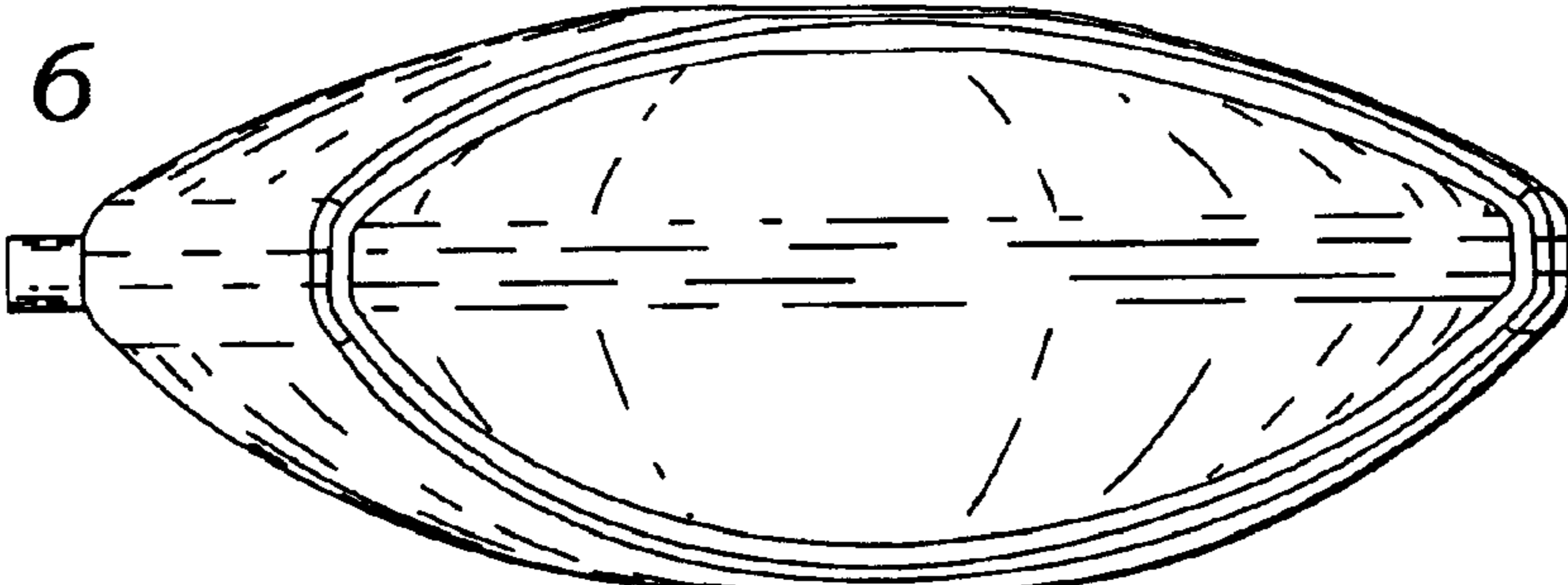
*Fig. 4*



*Fig. 5*



*Fig. 6*



*Fig. 7*

