



US00D514190S

(12) **United States Design Patent**
Kitazaki

(10) **Patent No.:** **US D514,190 S**
(45) **Date of Patent:** **** Jan. 31, 2006**

(54) **FISHING REEL ROTOR ARM**

(75) Inventor: **Tomokazu Kitazaki**, Fukainaka-machi (JP)

(73) Assignee: **Shimano Inc.**, Osaka (JP)

(**) Term: **14 Years**

(21) Appl. No.: **29/187,700**

(22) Filed: **Aug. 6, 2003**

(30) **Foreign Application Priority Data**

Feb. 6, 2003 (JP) 2003-002631

(51) **LOC (8) Cl.** **22-05**

(52) **U.S. Cl.** **D22/141**

(58) **Field of Classification Search** D22/137-141;
43/4, 18.1, 19, 19.2, 20, 22, 23, 25, 1; 242/224,
242/230-233, 311

See application file for complete search history.

(56) **References Cited**

U.S. PATENT DOCUMENTS

3,092,352 A	6/1963	Ransom	242/232
3,107,876 A	10/1963	Ament	242/333
D412,196 S	* 7/1999	Asano et al.	D22/141
6,382,540 B1	* 5/2002	Takikura et al.	242/231
2002/0056776 A1	* 5/2002	Sugawara	242/231
2003/0173437 A1	* 9/2003	Iwabuchi et al.	242/231

* cited by examiner

Primary Examiner—Catherine R. Oliver

(74) *Attorney, Agent, or Firm*—Shinju Global IP Counselors, LLP

(57) **CLAIM**

The ornamental design for a fishing reel rotor arm as shown and described.

DESCRIPTION

FIG. 1 is a front elevational view of a fishing reel having a fishing reel rotor arm in accordance with my new design;

FIG. 2 is a rear elevational view of the fishing reel having the fishing reel rotor arm in accordance with my new design;

FIG. 3 is a top plan view of the fishing reel rotor arm in accordance with my new design;

FIG. 4 is a bottom plan view of the fishing reel rotor arm in accordance with my new design;

FIG. 5 is a right side elevational view of the fishing reel having the fishing reel rotor arm in accordance with my new design;

FIG. 6 is a left side elevational view of the fishing reel rotor arm in accordance with my new design;

FIG. 7 is a left-bottom side perspective view of the fishing reel rotor arm in accordance with my new design;

FIG. 8 is a right-top side perspective view of the fishing reel rotor arm in accordance with my new design;

FIG. 9 is a cross sectional view of the fishing reel as viewed along the line 9—9 in FIG. 1, showing a right side elevational view of the fishing reel rotor arm in accordance with my new design;

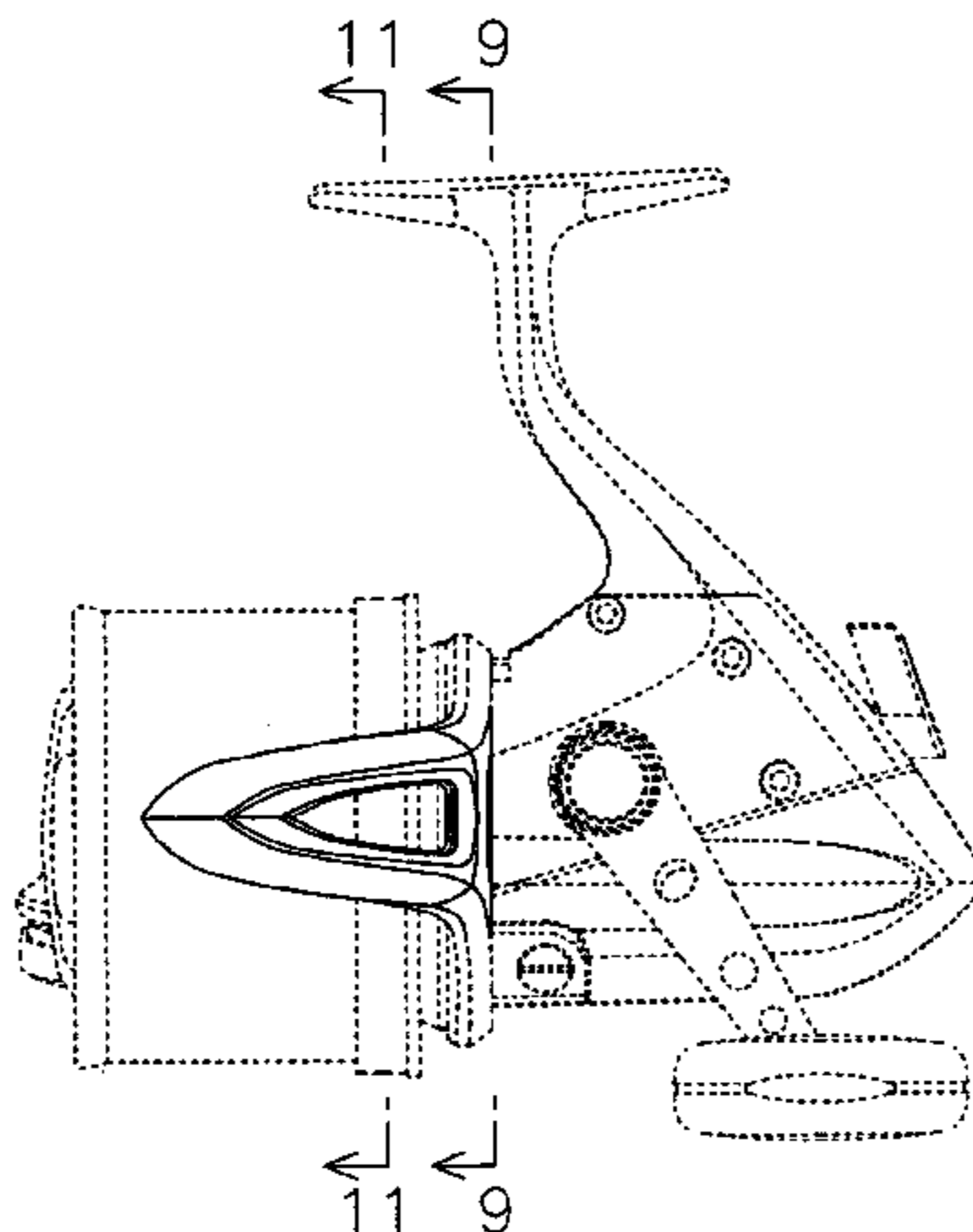
FIG. 10 is a cross sectional view of the fishing reel rotor arm in accordance with my new design, as viewed along the line 10—10 in FIG. 6;

FIG. 11 is a cross sectional view of the fishing reel rotor arm in accordance with my new design, as viewed along the line 11—11 in FIG. 1; and,

FIG. 12 is a cross sectional view of the fishing reel rotor arm in accordance with my new design, as viewed along the line 12—12 in FIG. 6.

The broken line showing of environment (the remaining structure of the fishing reel) in the Figures is for illustrative purposes only and forms no part of the claimed design.

1 Claim, 12 Drawing Sheets



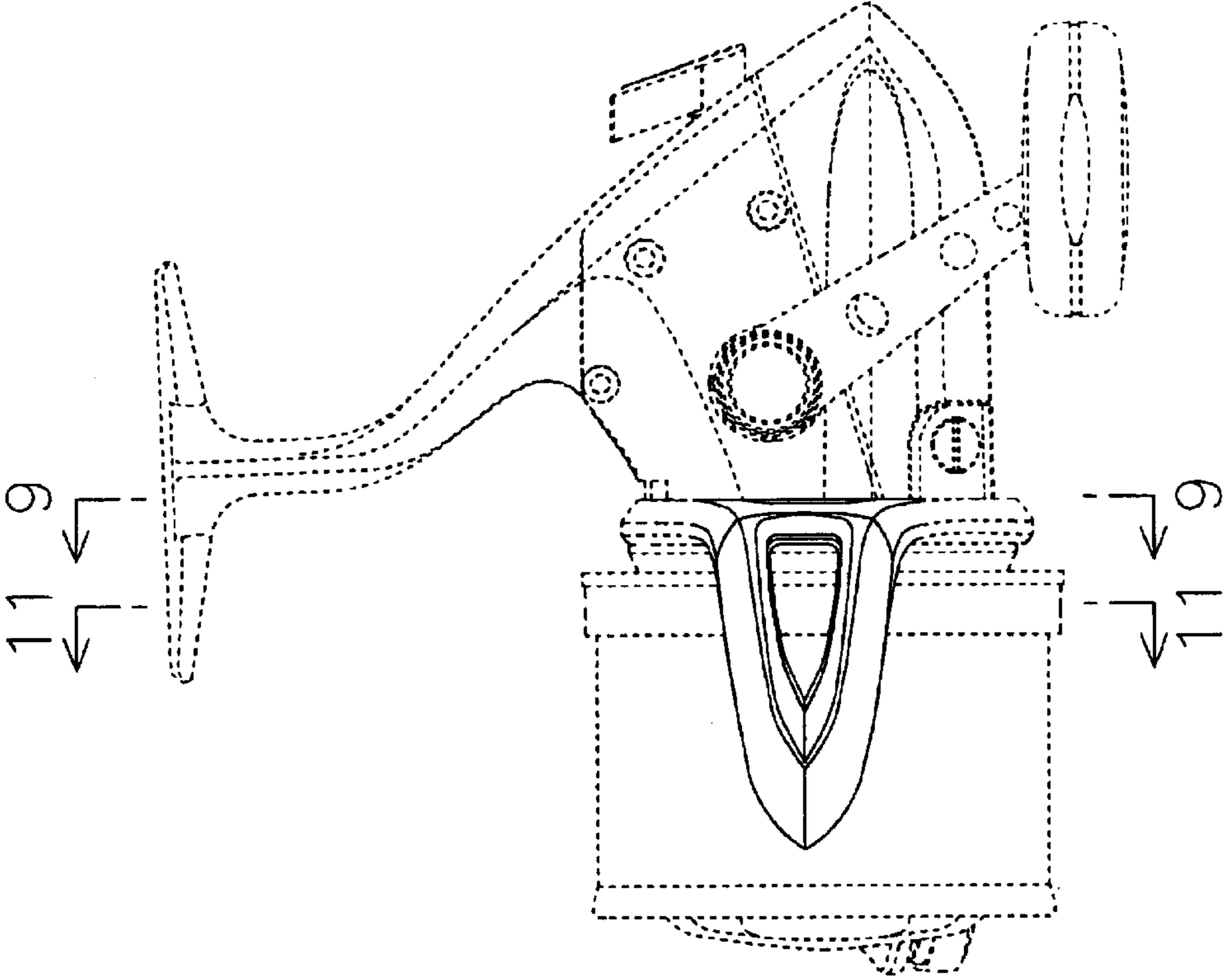


Fig. 1

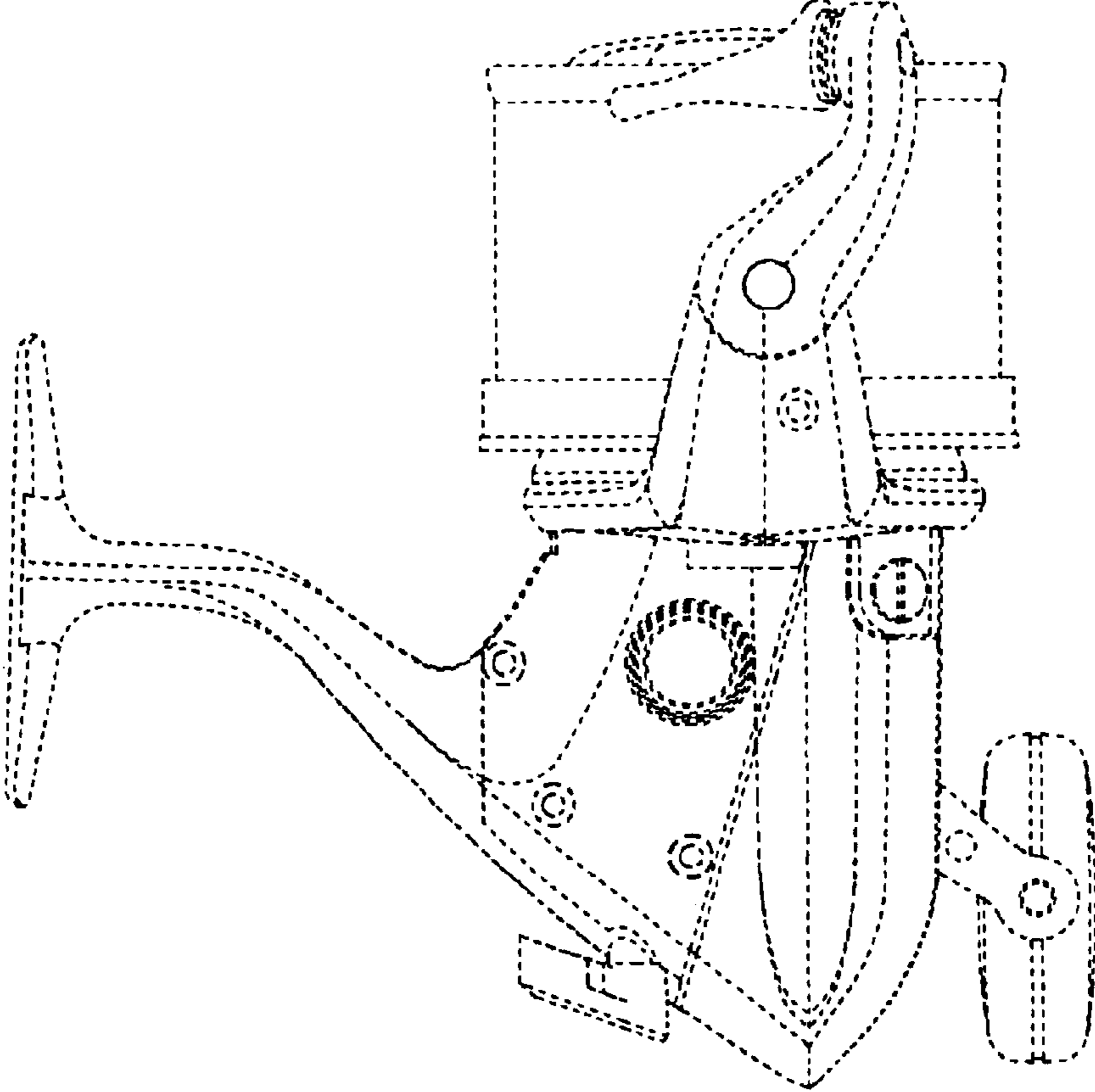


Fig. 2

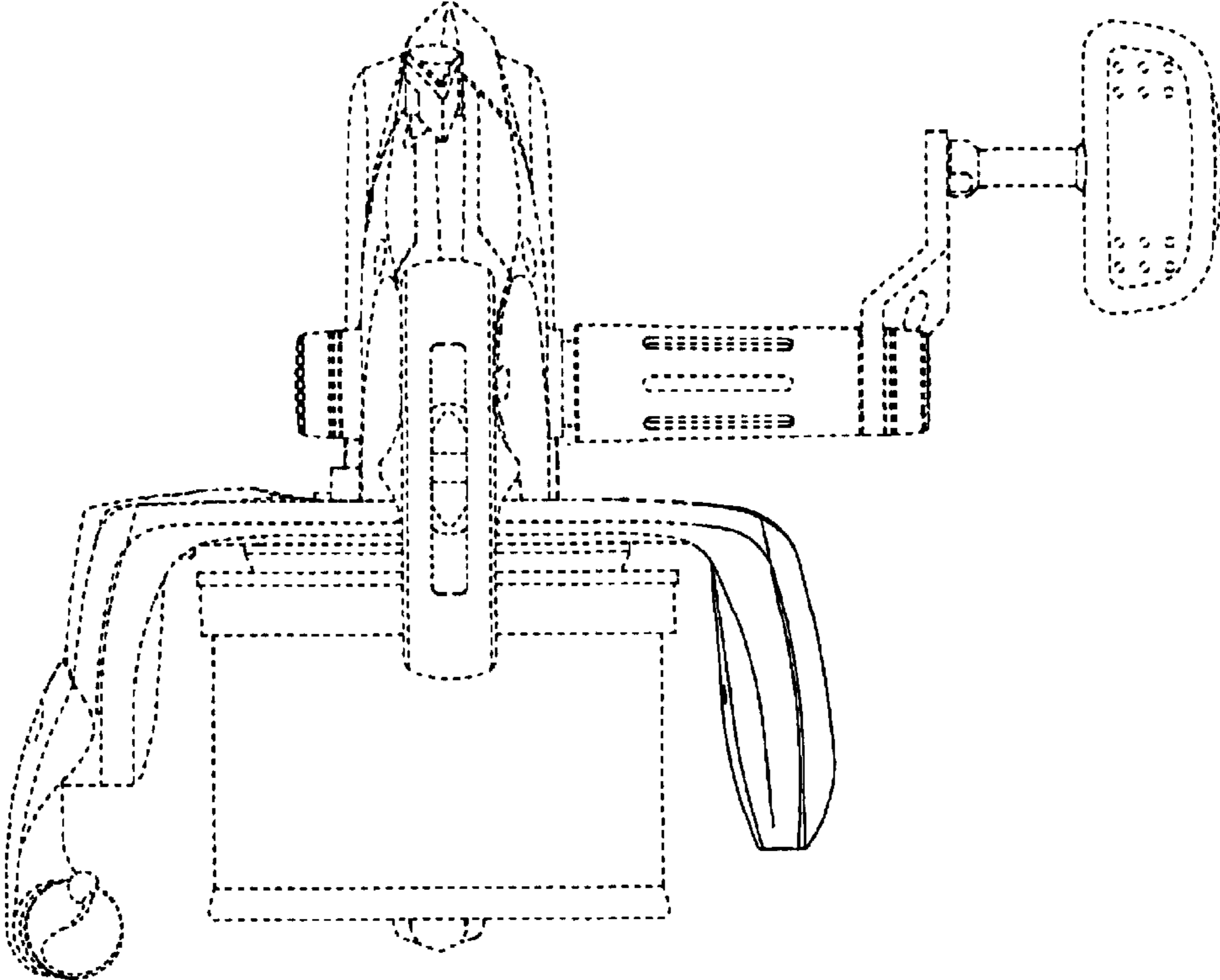


Fig. 3

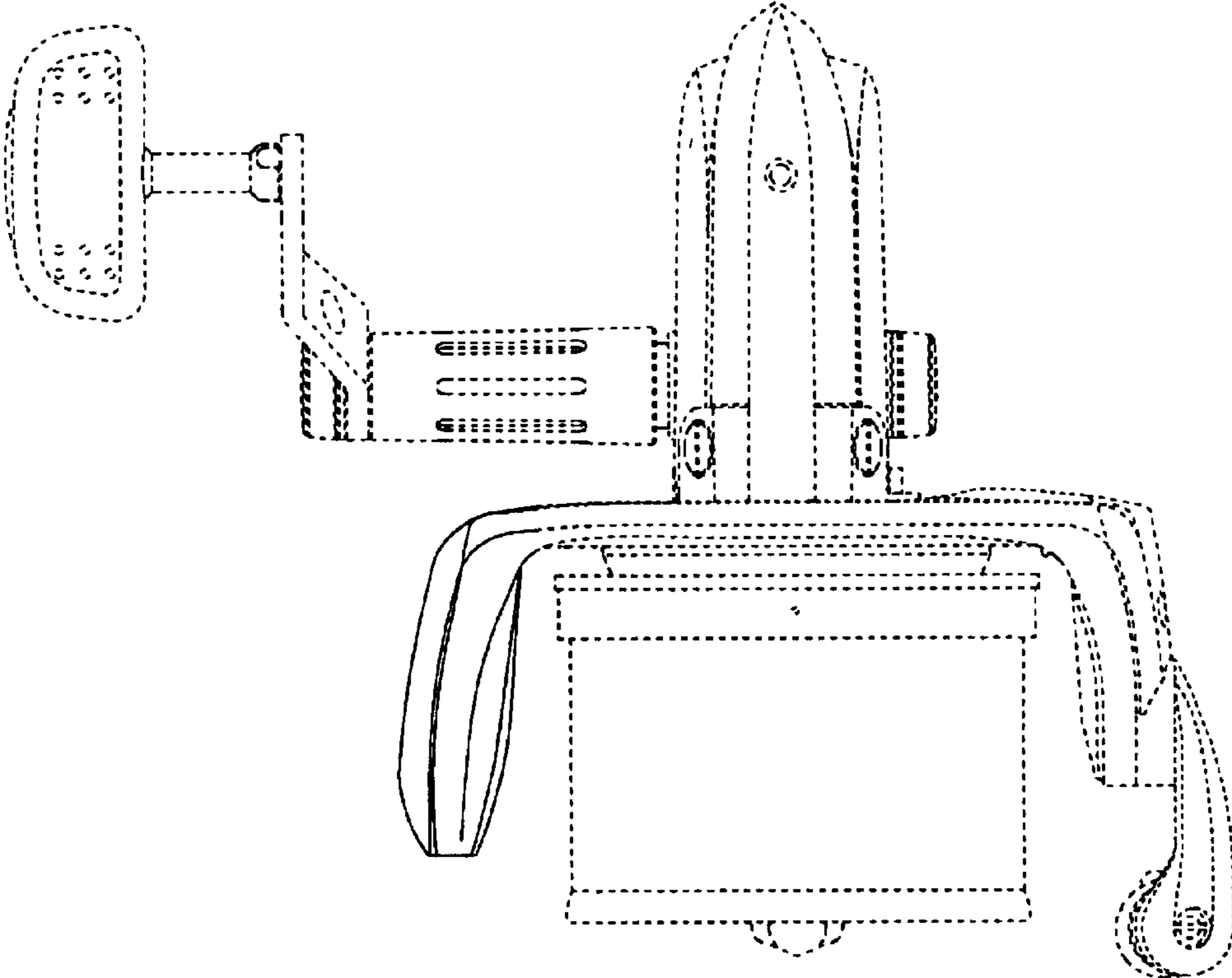
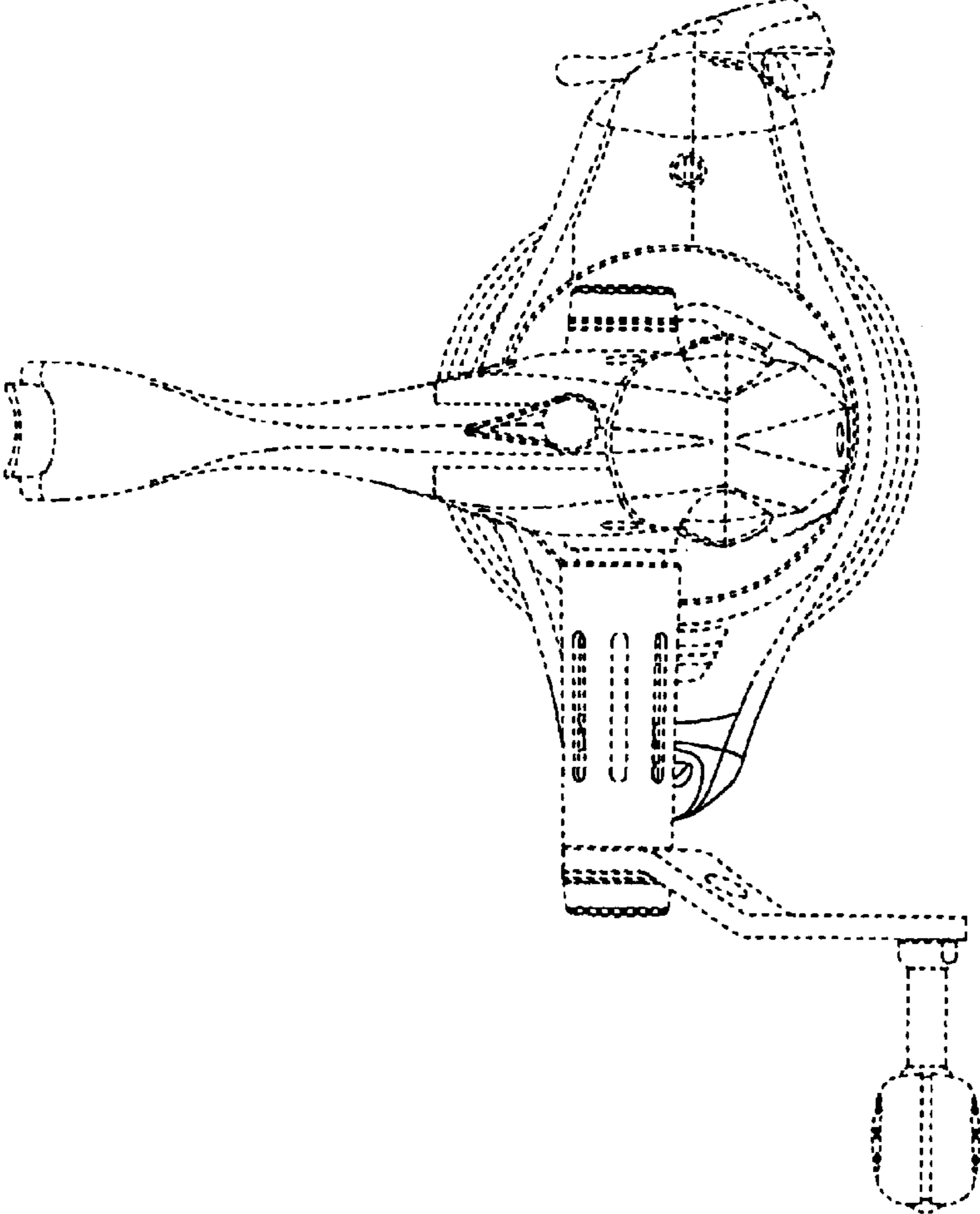


Fig. 4

Fig. 5



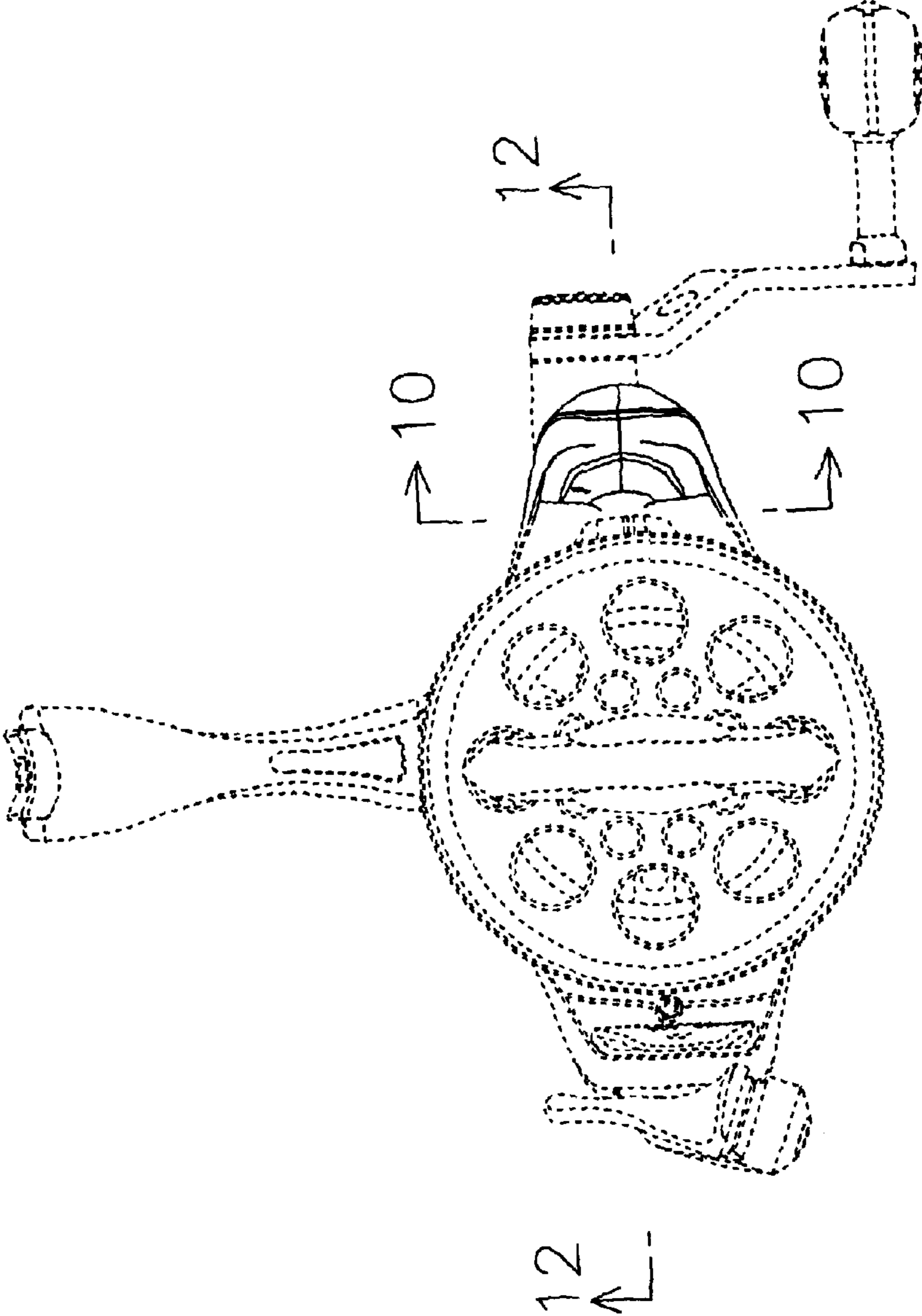


Fig. 6

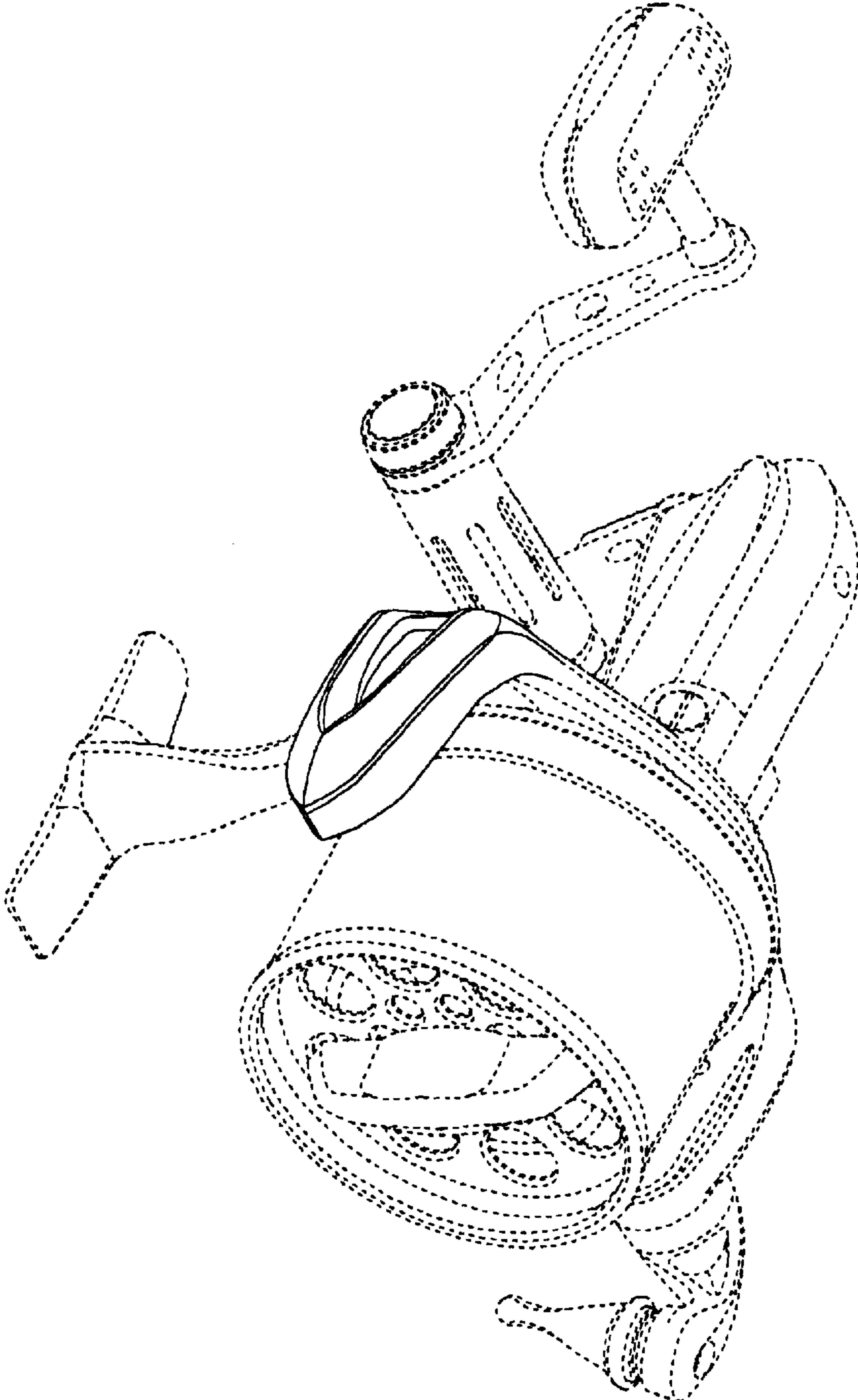


Fig. 7

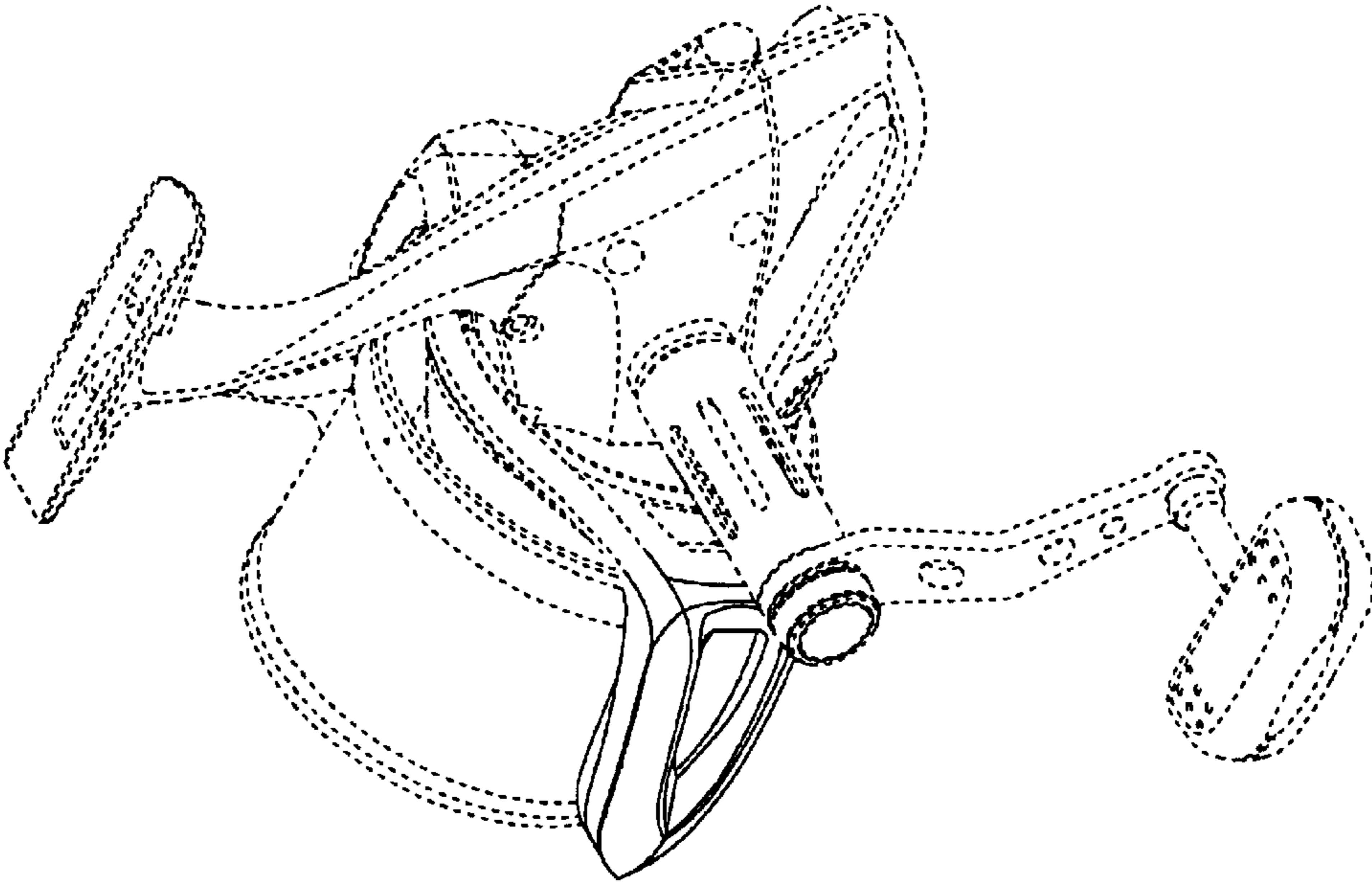


Fig. 8

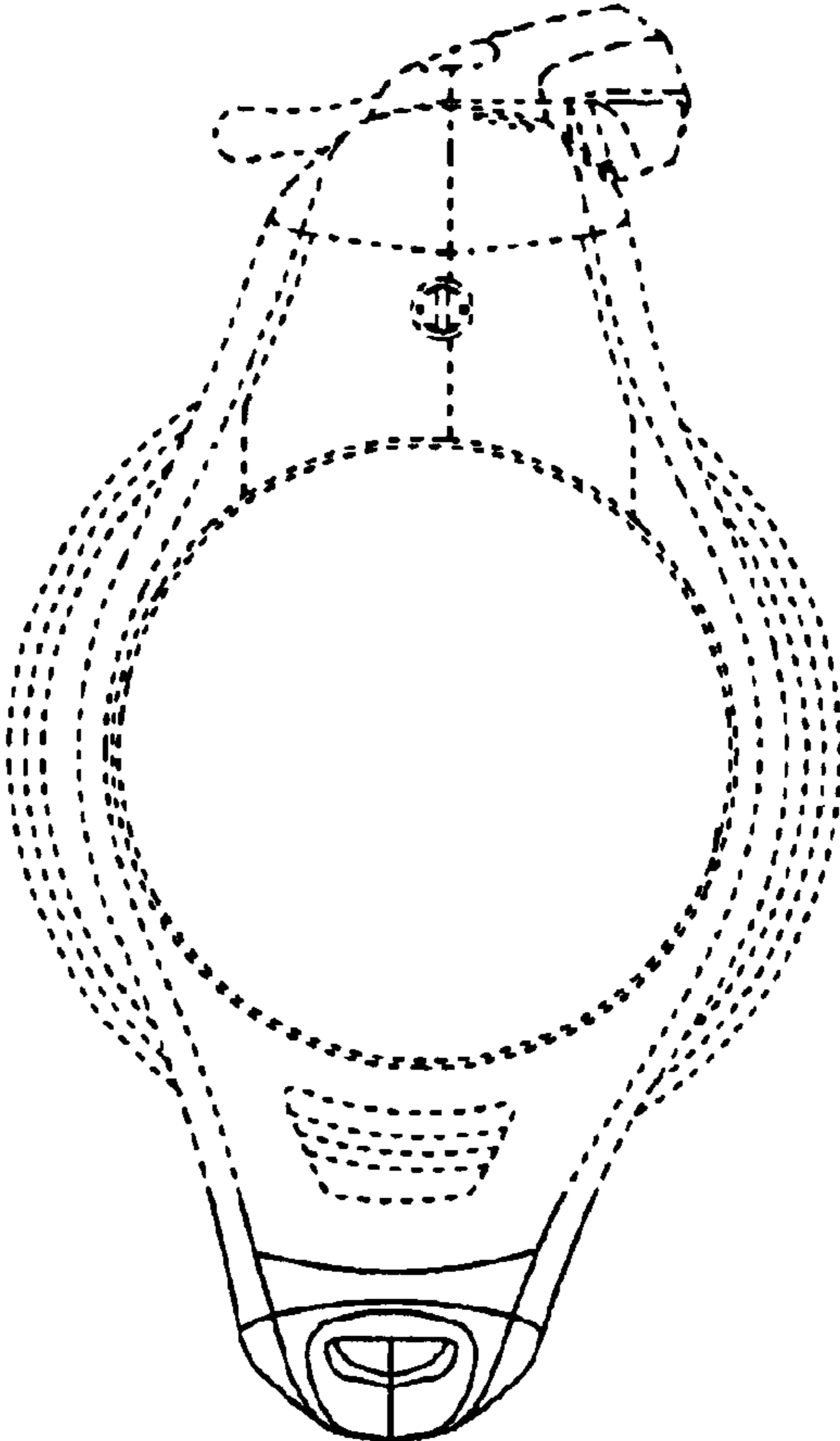


Fig. 9

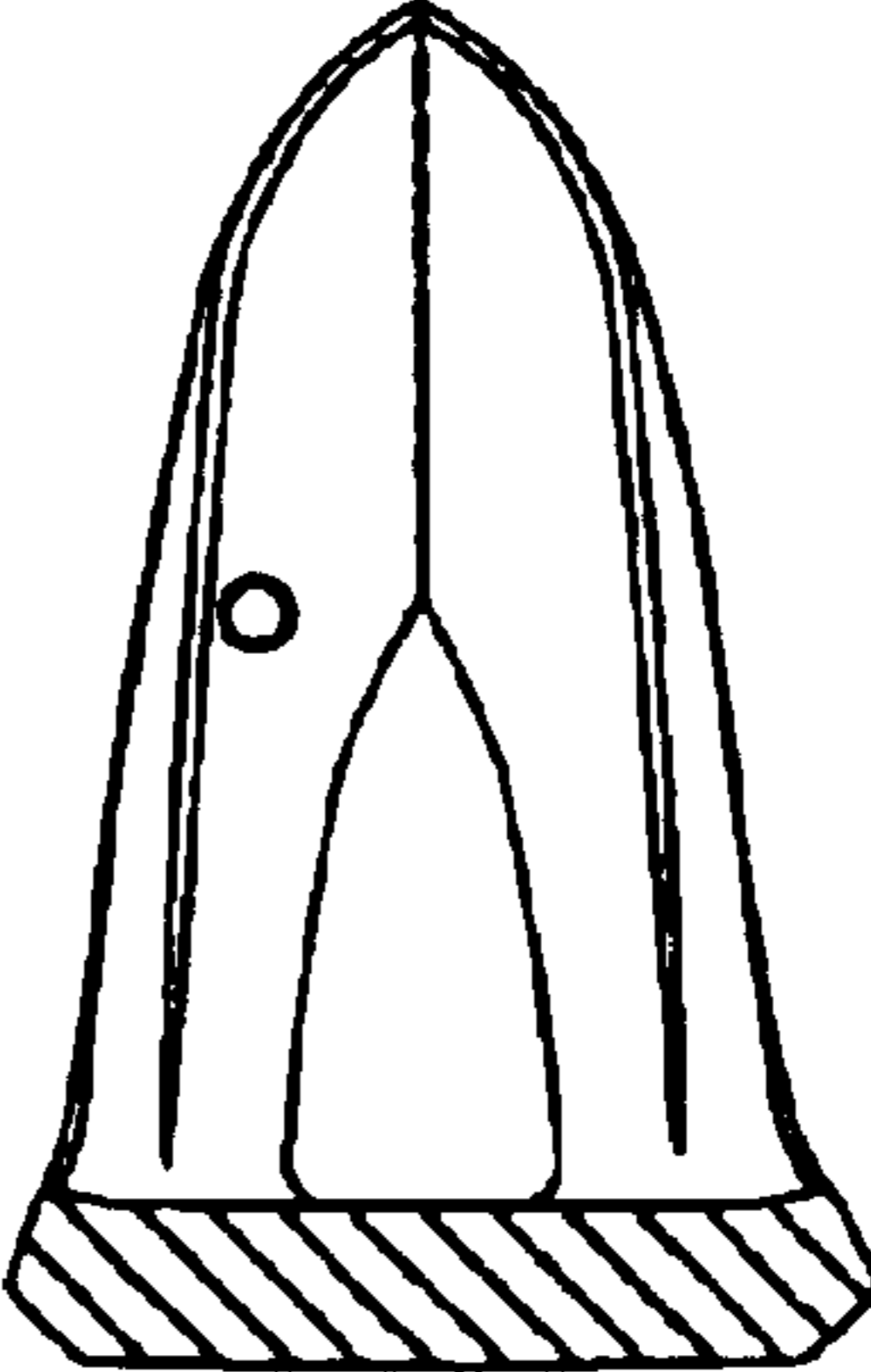


Fig. 10

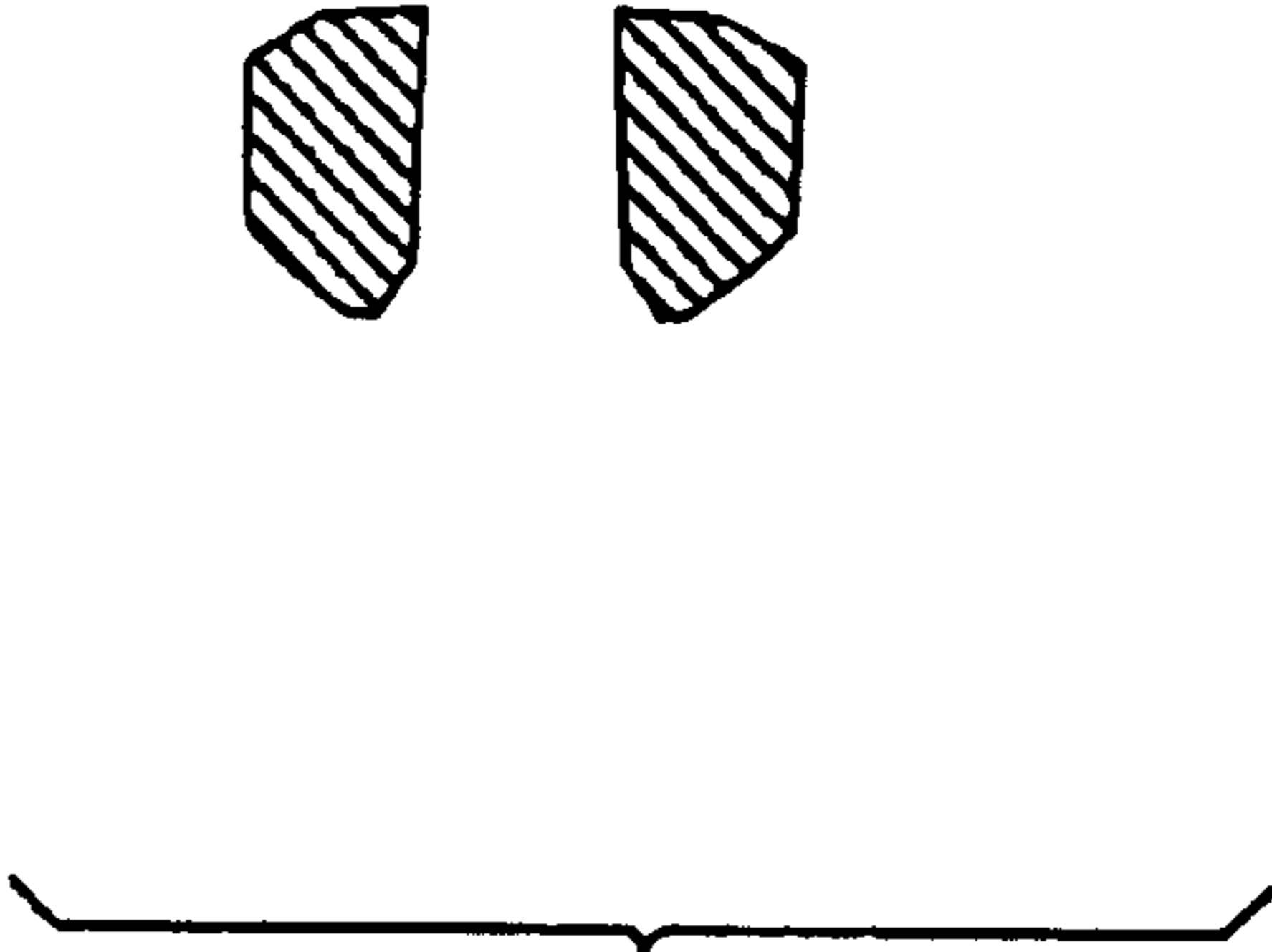


Fig. 11

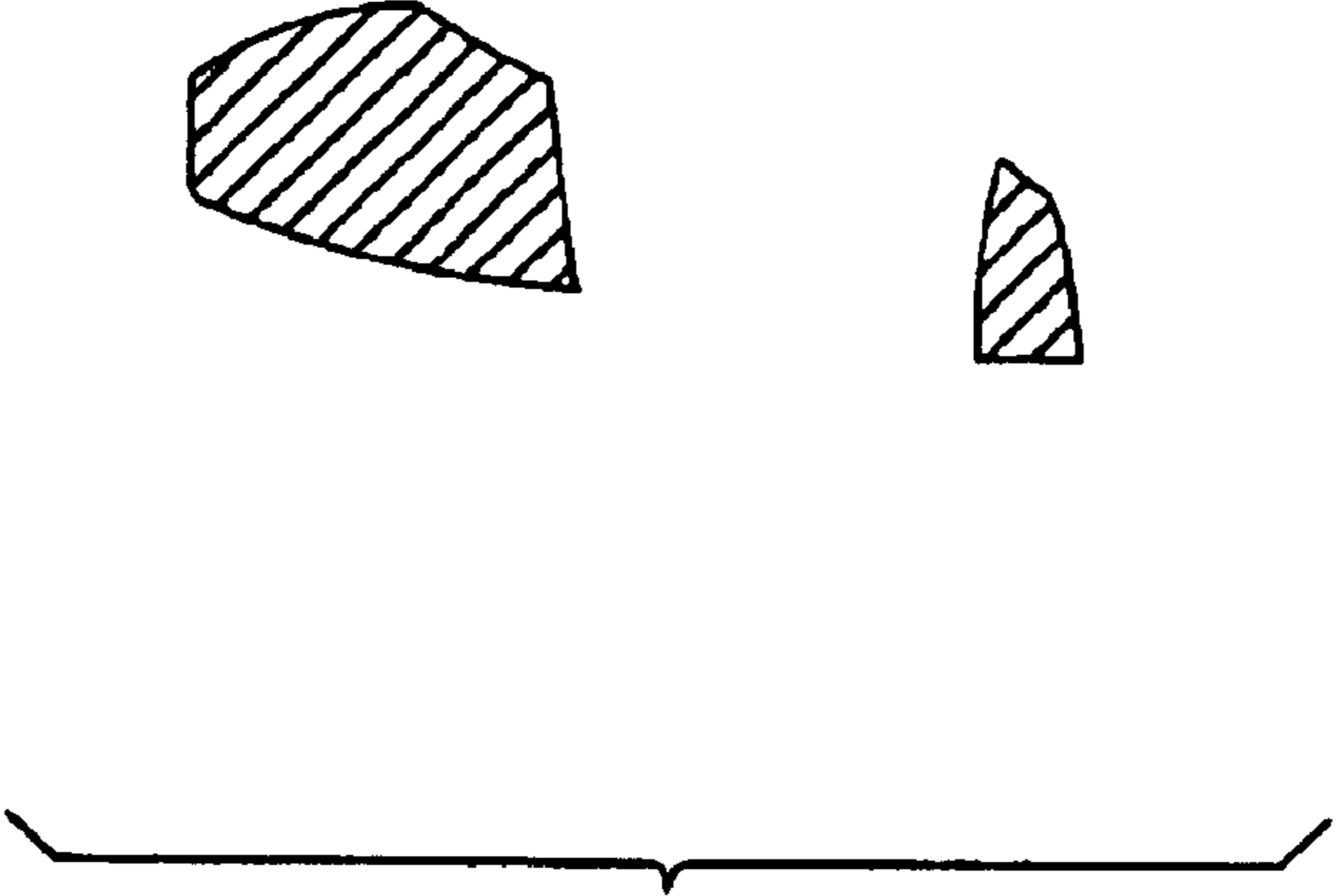


Fig. 12