



US00D514188S

(12) **United States Design Patent**  
**Lindgren**

(10) **Patent No.:** **US D514,188 S**  
(45) **Date of Patent:** **\*\* Jan. 31, 2006**

(54) **CLIP FOR A CLIP ON FISHING LURE**

(76) **Inventor:** **Peter B. Lindgren**, 2499 SE. 8<sup>th</sup> St.,  
Pompano Beach, FL (US) 33062

(\*\*) **Term:** **14 Years**

(21) **Appl. No.:** **29/213,130**

(22) **Filed:** **Sep. 13, 2004**

(51) **LOC (8) Cl.** ..... **22-05**

(52) **U.S. Cl.** ..... **D22/126**

(58) **Field of Classification Search** ..... D22/125-133,  
D22/134, 149, 150, 199; 43/53.5, 17.2, 43.1  
See application file for complete search history.

(56) **References Cited**

**U.S. PATENT DOCUMENTS**

4,206,561	A	*	6/1980	Wong et al.	.....	43/53.5
5,724,762	A	*	3/1998	Thompson	.....	43/17.2
D397,406	S	*	8/1998	Koblegard	.....	D22/149
D421,478	S	*	3/2000	Medrano	.....	D22/134

\* cited by examiner

*Primary Examiner*—Catherine R. Oliver

(74) *Attorney, Agent, or Firm*—Robert C. Kain, Jr.; Fleit Kain

(57) **CLAIM**

The ornamental design for the clip for a clip on fishing lure, as shown and described.

**DESCRIPTION**

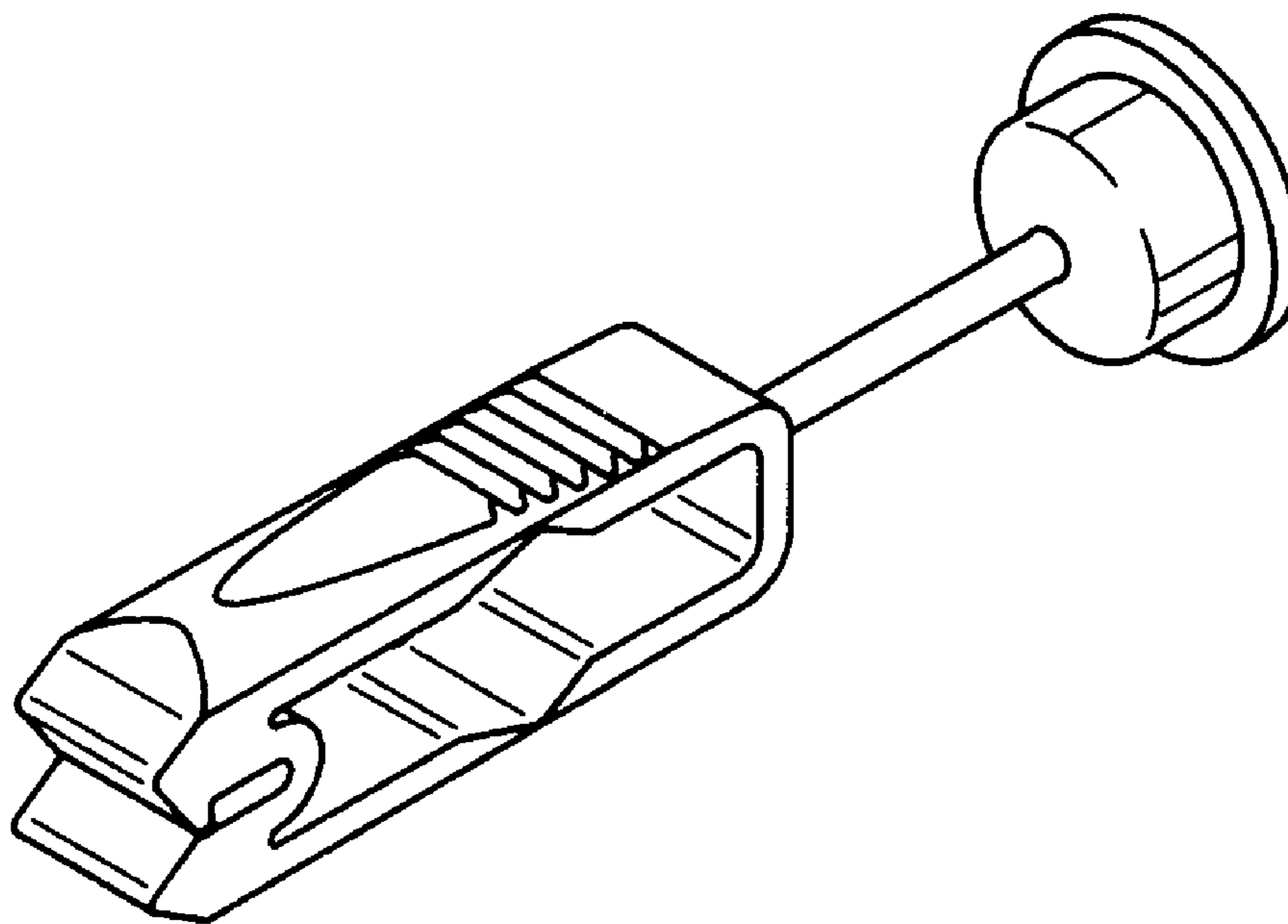
FIG. 1 is perspective view of the clip for the clip-on fishing lure.

FIG. 2A is a front view of the clip for the clip-on fishing lure. FIG. 2B is a rear view of the clip for the clip-on fishing lure. FIG. 3 is a left side view of the clip for the clip-on fishing lure (the right side view being a mirror image of the left side view).

FIG. 4 is a top view of the clip for the clip-on fishing lure; and,

FIG. 5 is a bottom view of the clip for the clip-on fishing lure.

**1 Claim, 1 Drawing Sheet**



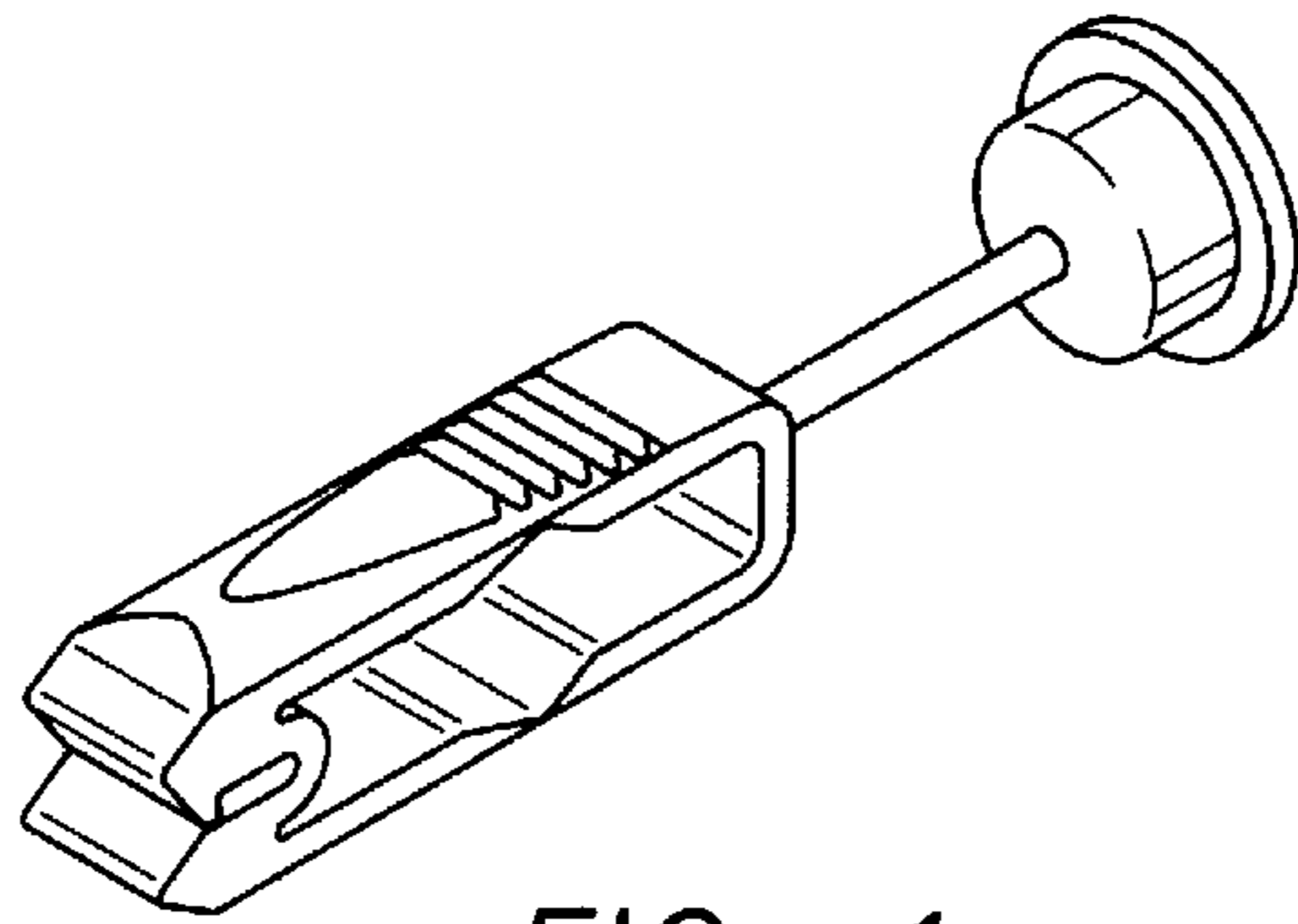


FIG. 1

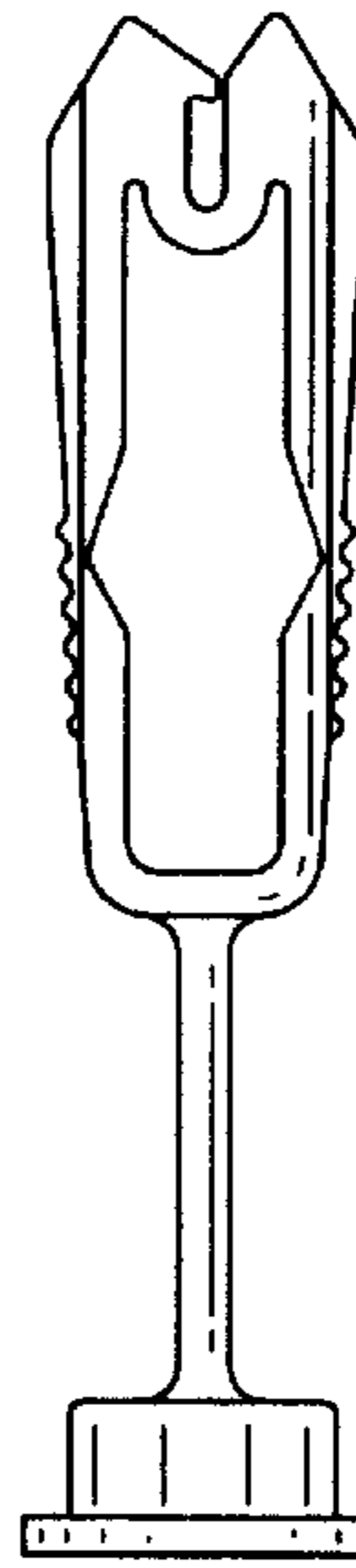


FIG. 2A

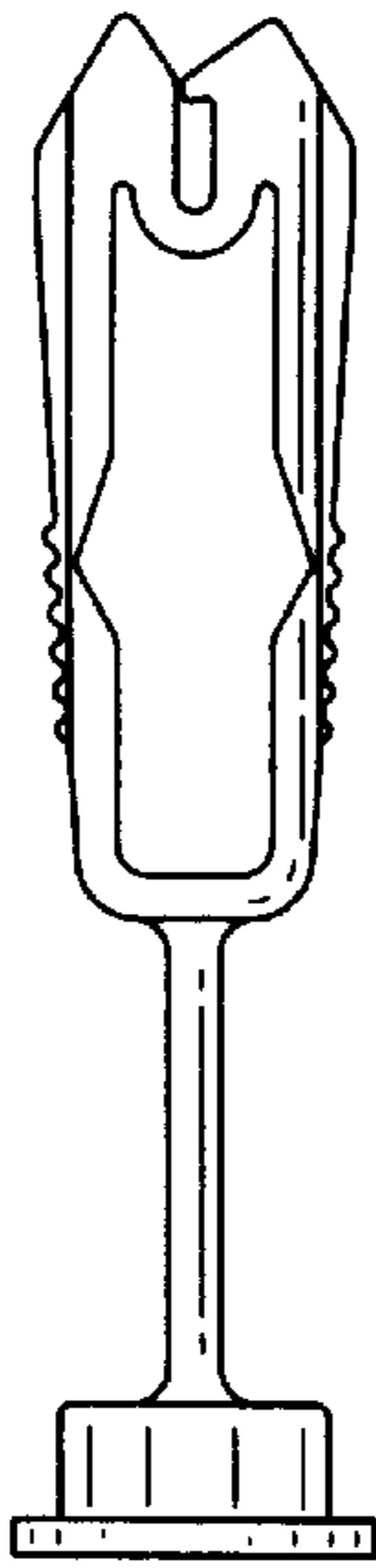


FIG. 2B

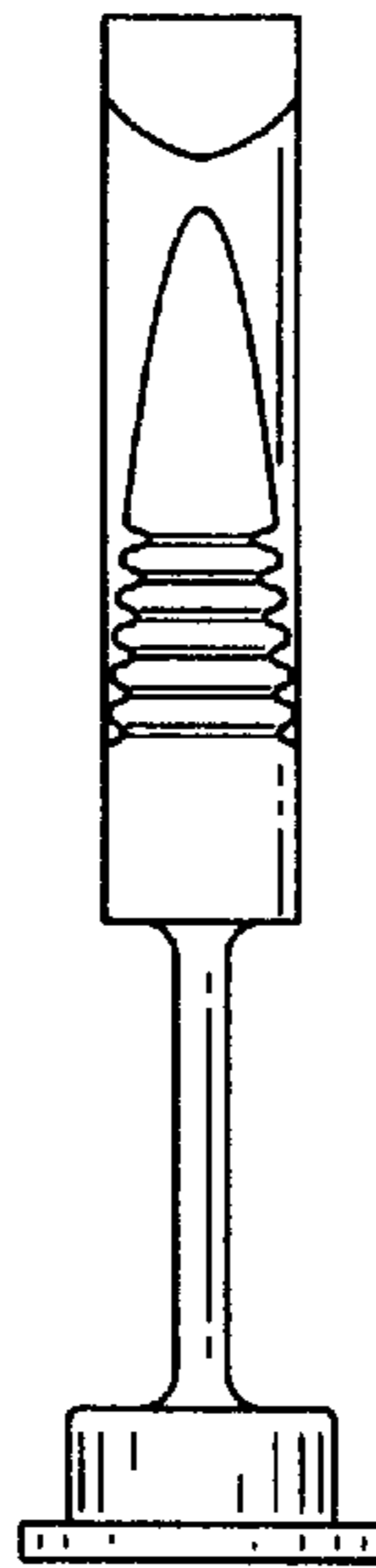


FIG. 3

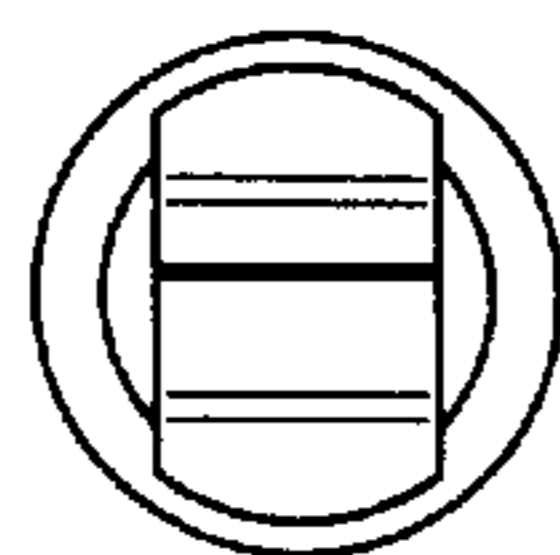


FIG. 4

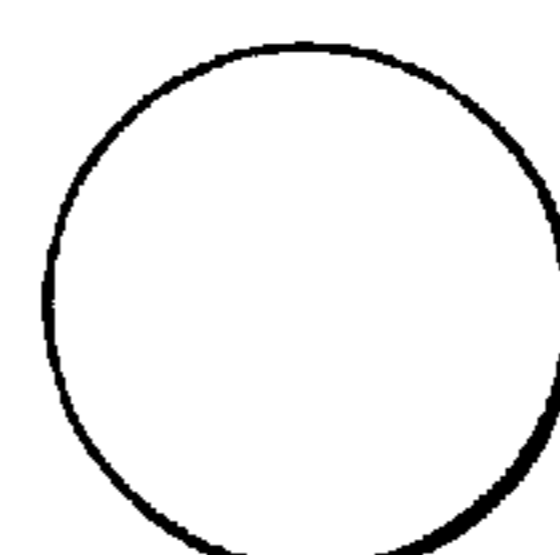


FIG. 5