



US00D514187S

(12) **United States Design Patent**
Pedemonte

(10) **Patent No.:** **US D514,187 S**
(45) **Date of Patent:** **** Jan. 31, 2006**

(54) **SHEATHED KNIFE**

(75) **Inventor:** **Stefano Pedemonte, Ceranesi (IT)**

(73) **Assignee:** **Cressi-Sub S.p.A., Genoa (IT)**

(**) **Term:** **14 Years**

(21) **Appl. No.:** **29/198,501**

(22) **Filed:** **Jan. 30, 2004**

(30) **Foreign Application Priority Data**

Aug. 1, 2003 (EM) 58920

(51) **LOC (8) Cl.** **22-02**

(52) **U.S. Cl.** **D22/118**

(58) **Field of Classification Search** D22/118,
D22/117; D3/220; 30/151; 224/232, 233
See application file for complete search history.

(56) **References Cited**

U.S. PATENT DOCUMENTS

D317,037 S	*	5/1991	Koshiishi	D22/118
D334,791 S	*	4/1993	Collins	D22/118
5,647,130 A	*	7/1997	Collins	30/151
D448,442 S	*	9/2001	Cheng	D22/118
D465,542 S	*	11/2002	Bloch	D22/118
D491,622 S	*	6/2004	Hadley et al.	D22/118

* cited by examiner

Primary Examiner—Catherine R. Oliver
(74) *Attorney, Agent, or Firm*—Pollack, P.C.; Grant E. Pollack

(57) **CLAIM**

The ornamental design for a sheathed knife, substantially as shown and described.

DESCRIPTION

FIG. 1 is a perspective view of a sheathed knife according to one aspect of the present invention;

FIG. 2 is a reverse perspective view of the sheathed knife shown in FIG. 1;

FIG. 3 is a plan view of the sheathed knife shown in FIG. 1; FIG. 4 is a reverse plan view of the sheathed knife shown in FIG. 1;

FIG. 5 is a side view of the sheathed knife shown in FIG. 1; FIG. 6 is a first end view (handle side) of the sheathed knife shown in FIG. 1;

FIG. 7 is a second end view of the sheathed knife shown in FIG. 1;

FIG. 8 is a perspective view of a knife portion of a sheathed knife according to another aspect of the present invention;

FIG. 9 is a reverse perspective view of the knife portion shown in FIG. 8;

FIG. 10 is a plan view of the knife portion shown in FIG. 8; FIG. 11 is a reverse plan view of the knife portion shown in FIG. 8;

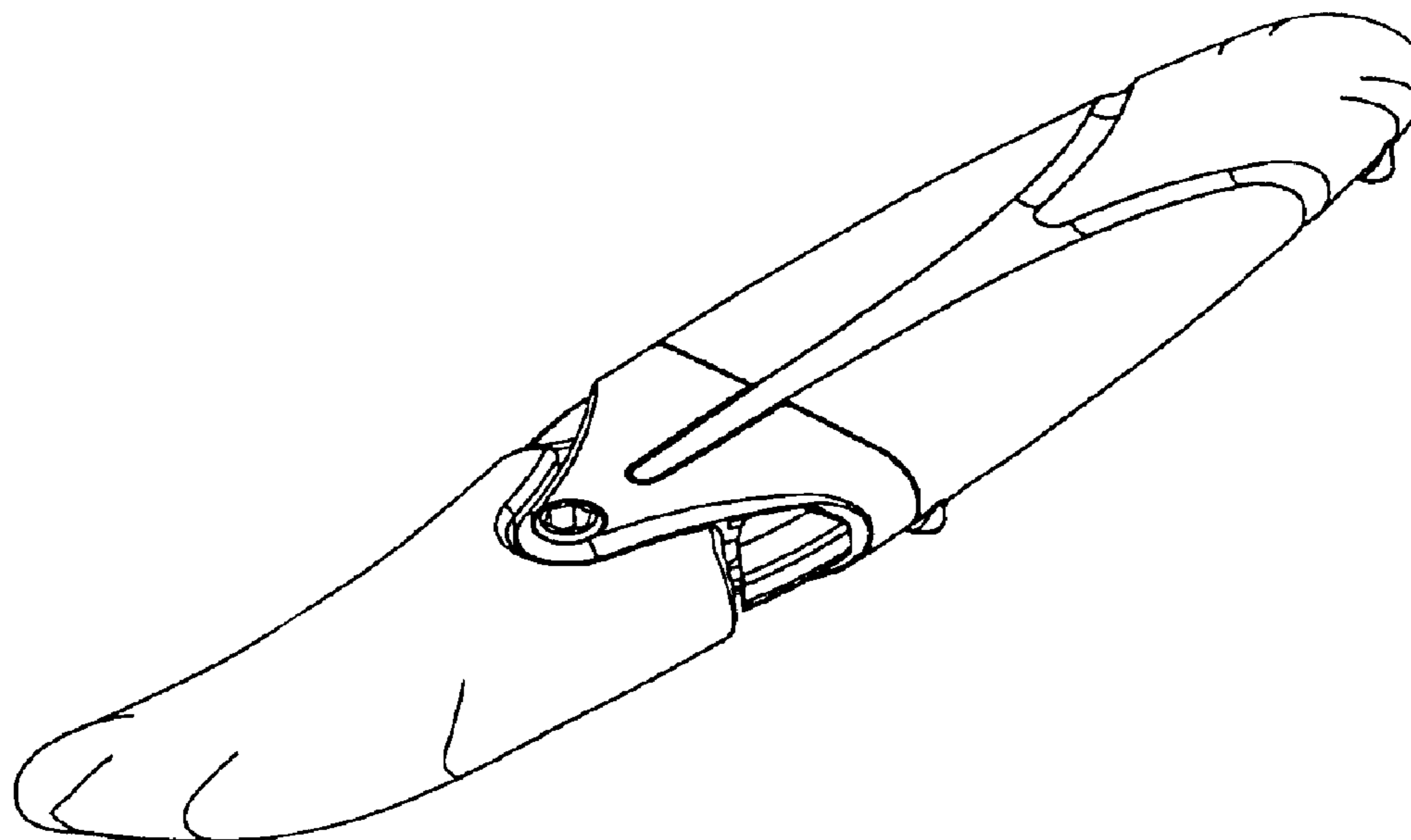
FIG. 12 is a side view of the knife portion shown in FIG. 8, the opposite side being a mirror image thereof;

FIG. 13 is a first end view of the knife portion shown in FIG. 8; and,

FIG. 14 is a second end view of the knife portion shown in FIG. 8.

The broken line showing of environment is for illustrative purposes only and forms no part of the claimed design.

1 Claim, 4 Drawing Sheets



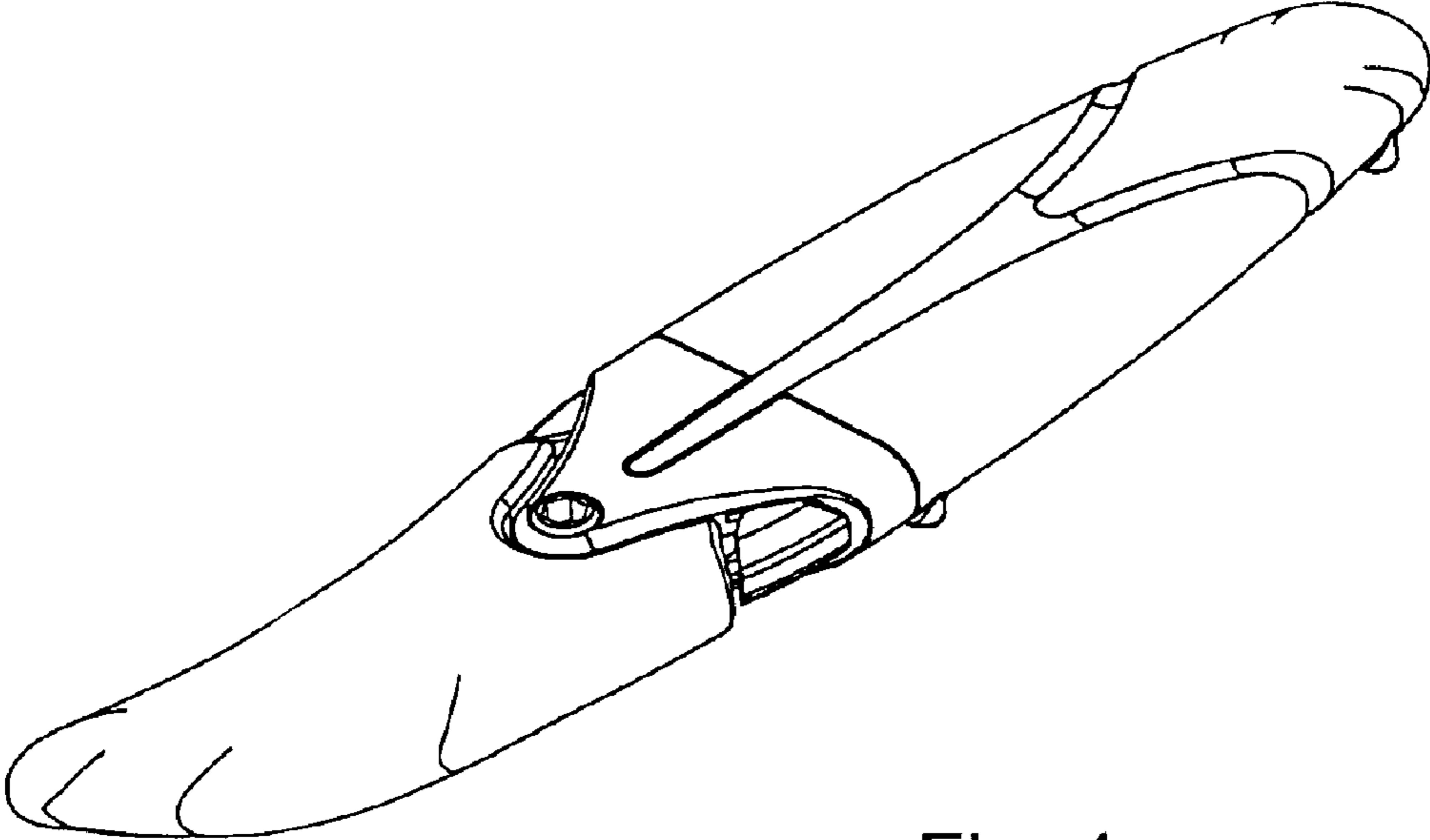


Fig. 1

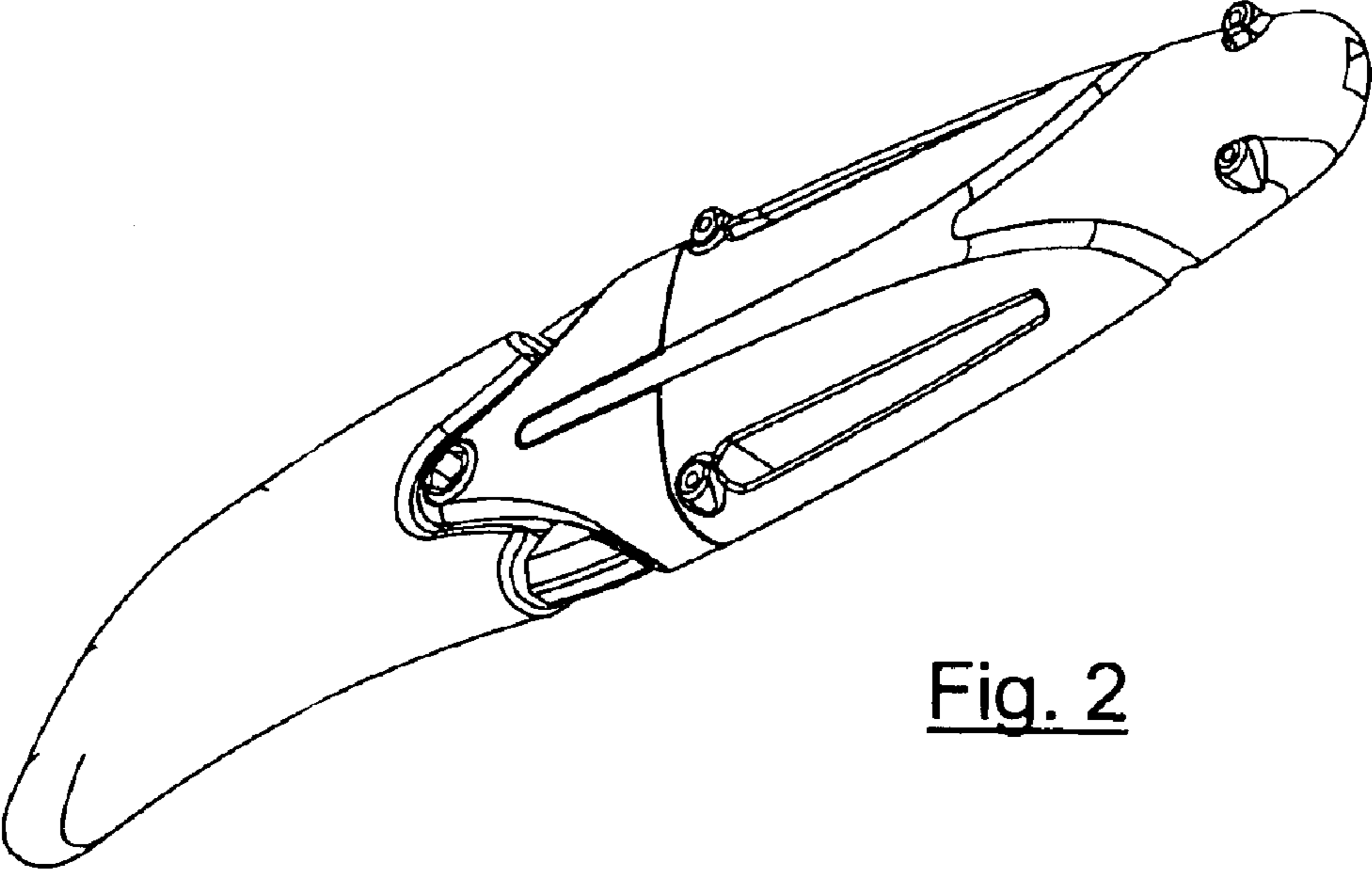


Fig. 2

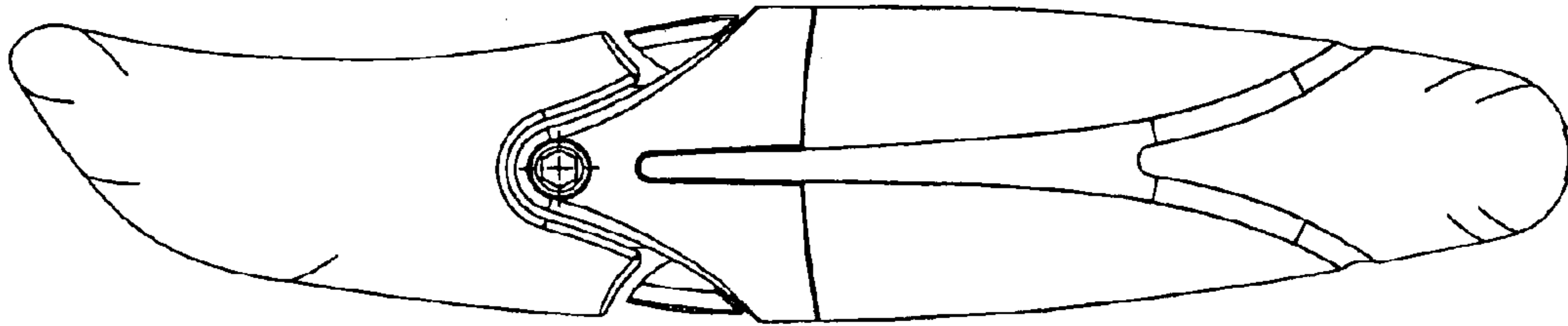


Fig. 3

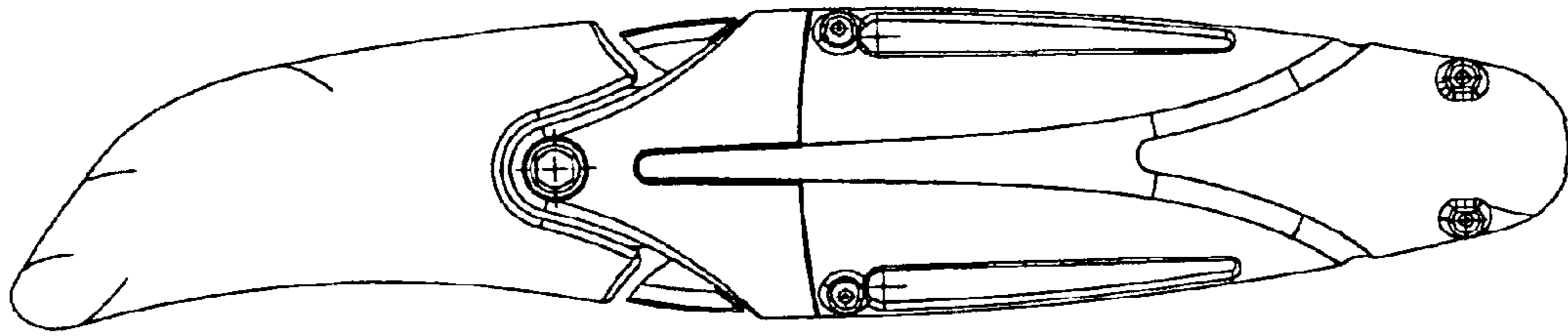


Fig. 4



Fig. 5

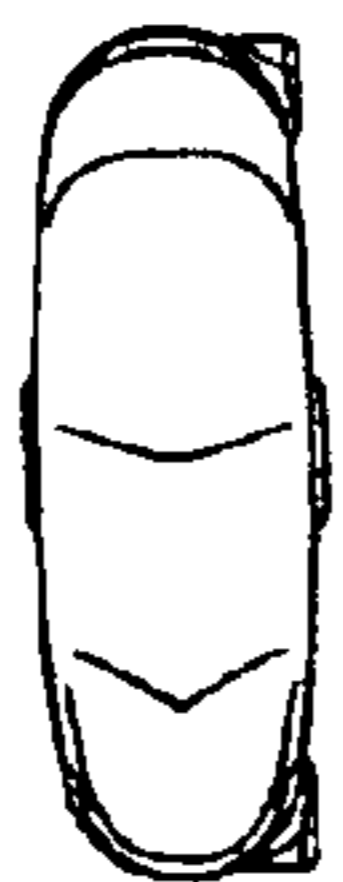


Fig. 6



Fig. 7

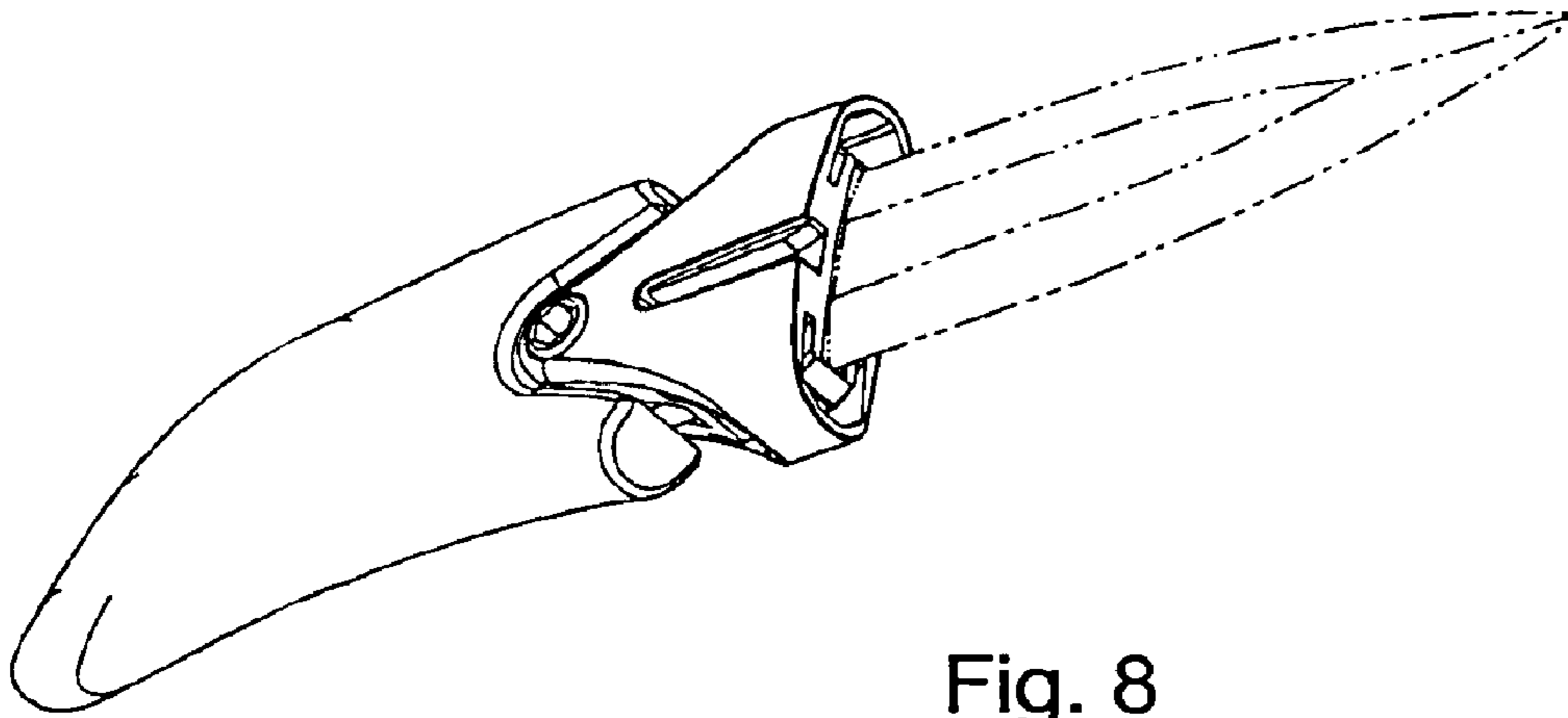


Fig. 8

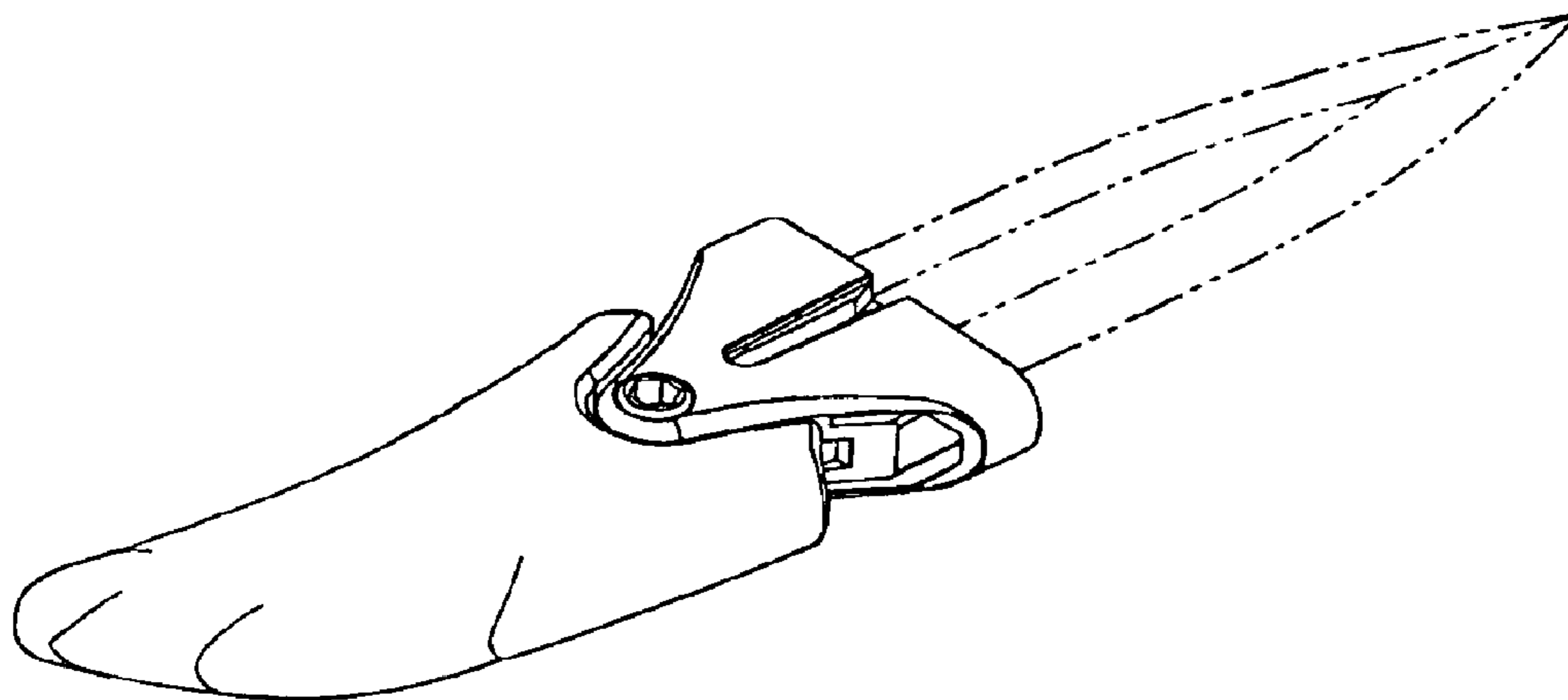


Fig. 9

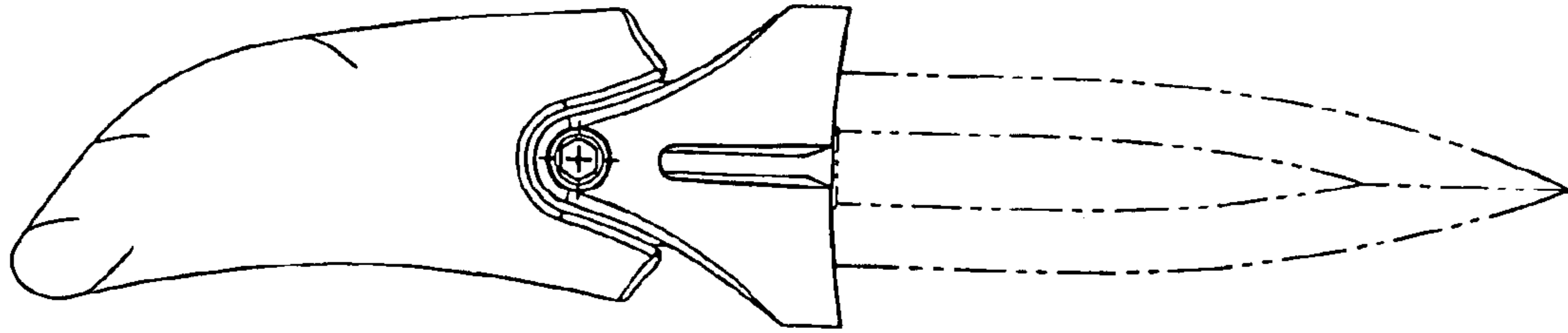


Fig. 10

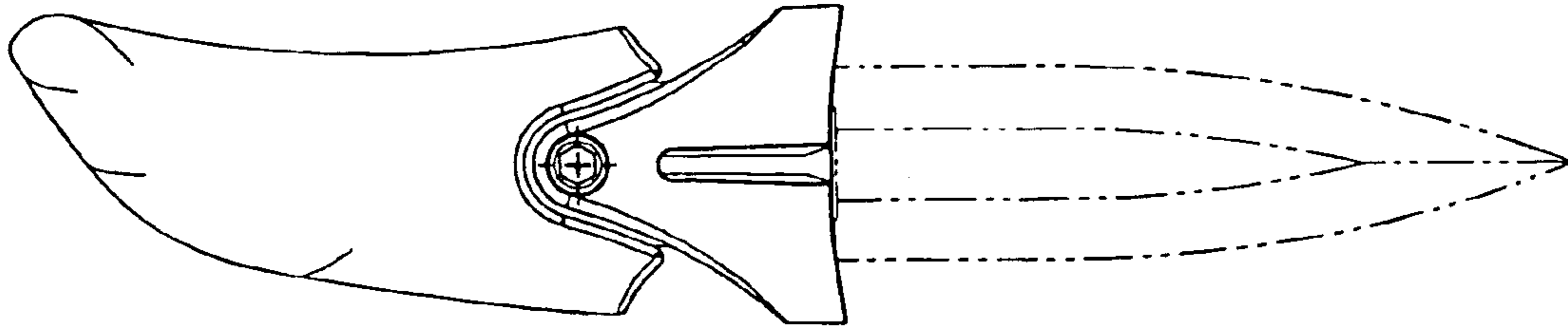


Fig. 11

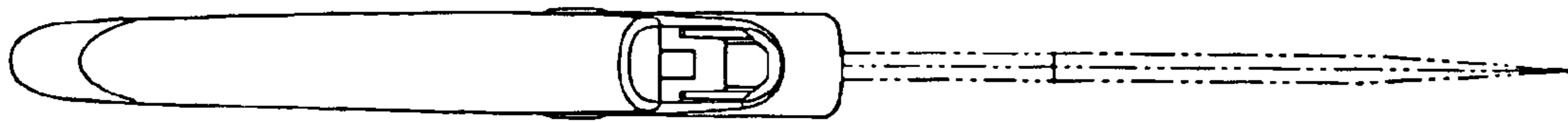


Fig. 12

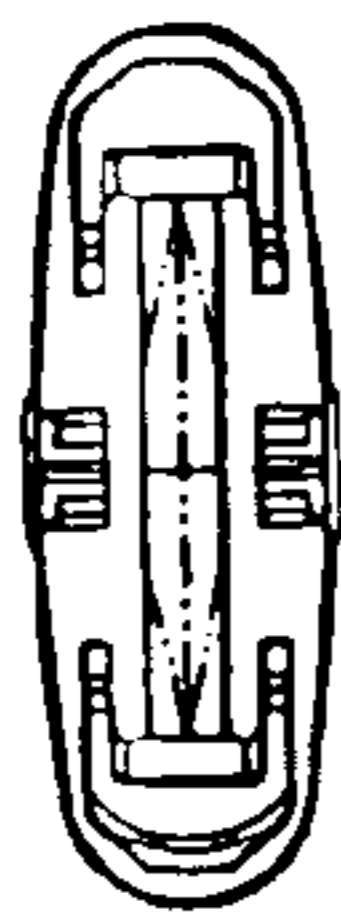


Fig. 13

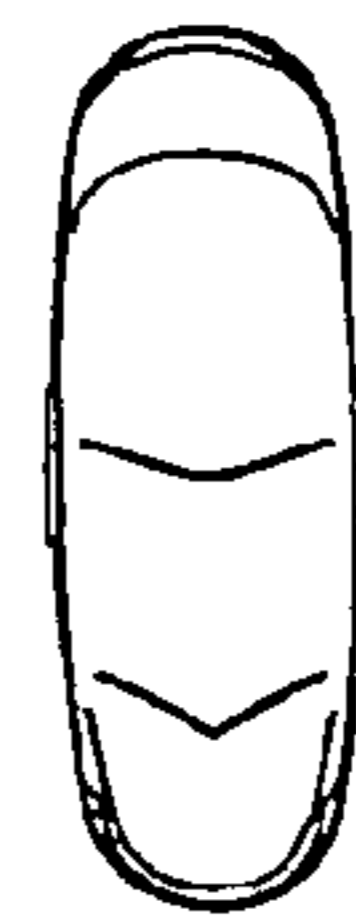


Fig. 14