



US00D514186S

(12) **United States Design Patent**
Hazlett

(10) **Patent No.:** **US D514,186 S**
(45) **Date of Patent:** **** Jan. 31, 2006**

- (54) **SKATEBOARD WITH SCOOTER HANDLEBARS**
 - (76) Inventor: **Josh Hazlett**, 3068 County Rd., #338,
New Bloomfield, MO (US) 65063
 - (**) Term: **14 Years**
 - (21) Appl. No.: **29/215,109**
 - (22) Filed: **Oct. 14, 2004**
 - (51) **LOC (8) Cl.** **21-02**
 - (52) **U.S. Cl.** **D21/765**
 - (58) **Field of Classification Search** D21/423,
D21/760, 765; 280/87.041, 87.042, 87.043,
280/809, 843; 16/440
- See application file for complete search history.

- D421,282 S * 2/2000 Orr D21/765
- 6,299,186 B1 * 10/2001 Kao et al. 280/87.041
- D453,803 S * 2/2002 Yann et al. D21/423
- D456,047 S * 4/2002 Mandic D21/423
- 6,520,516 B2 2/2003 Favorito et al.
- 6,520,517 B1 * 2/2003 Chung et al. 280/87.042
- 6,805,368 B1 * 10/2004 Chen 280/87.041

* cited by examiner

Primary Examiner—Antoine Duval Davis
Assistant Examiner—Cynthia M. Chin
(74) *Attorney, Agent, or Firm*—Theresa M. Seal

(57) **CLAIM**

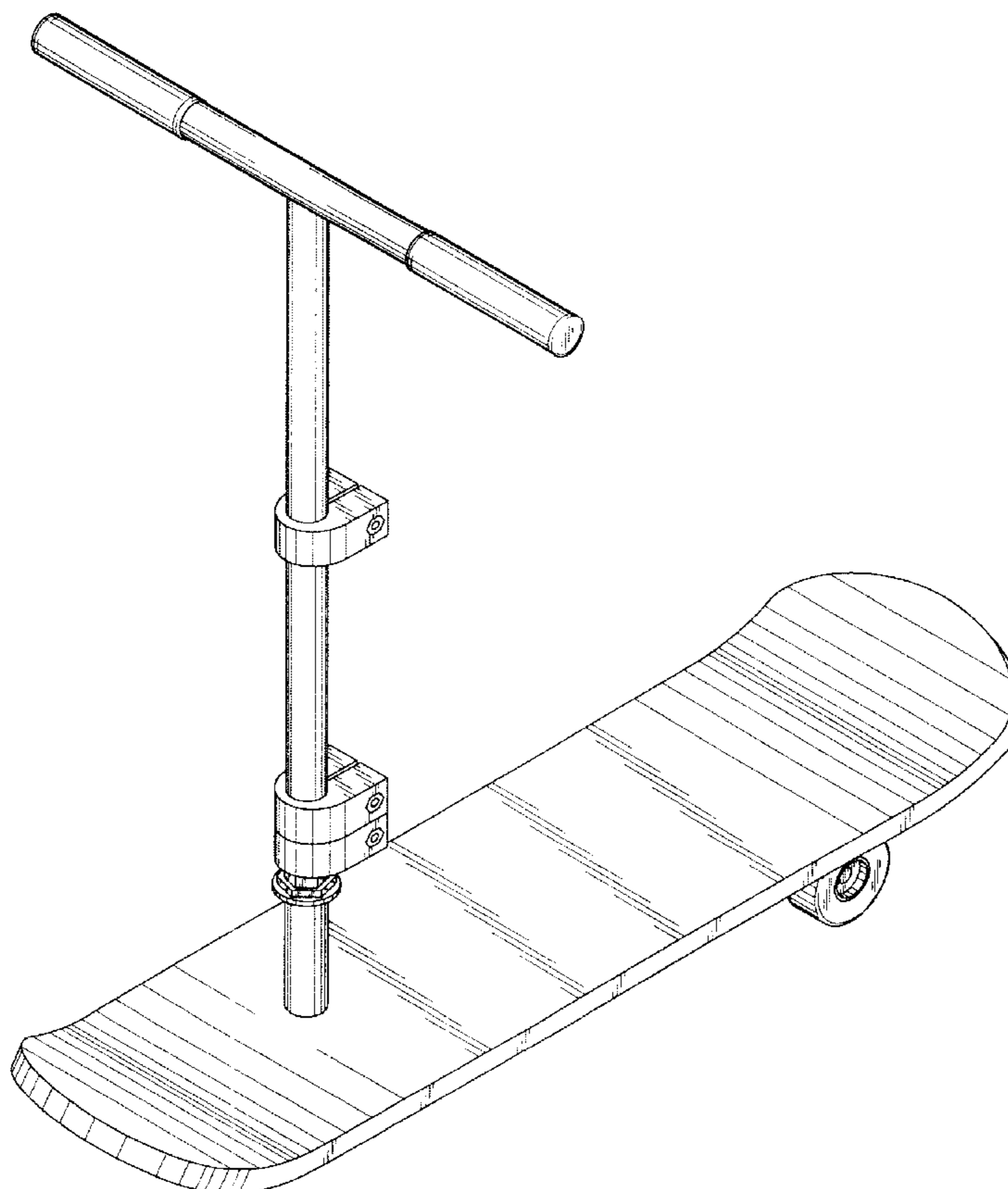
The ornamental design for a skateboard with scooter handlebars, as shown and described.

DESCRIPTION

FIG. 1 is a perspective view of a skateboard with scooter handlebars showing my invention.
FIG. 2 is an elevational side view, the other side being a mirror image thereof;
FIG. 3 is an elevational front view thereof;
FIG. 4 is an elevational rear view thereof;
FIG. 5 is a top plan view thereof; and,
FIG. 6 is a bottom plan view thereof.

1 Claim, 4 Drawing Sheets

- (56) **References Cited**
- U.S. PATENT DOCUMENTS
- 4,061,351 A 12/1977 Bangle
- D250,610 S 12/1978 Wynn
- 4,179,134 A 12/1979 Atkinson
- 4,707,884 A 11/1987 Chang
- 4,775,162 A * 10/1988 Chao 280/87.041
- 4,886,297 A 12/1989 Levine
- 5,165,711 A * 11/1992 Tsai 280/87.041
- D410,058 S * 5/1999 Friend D21/771



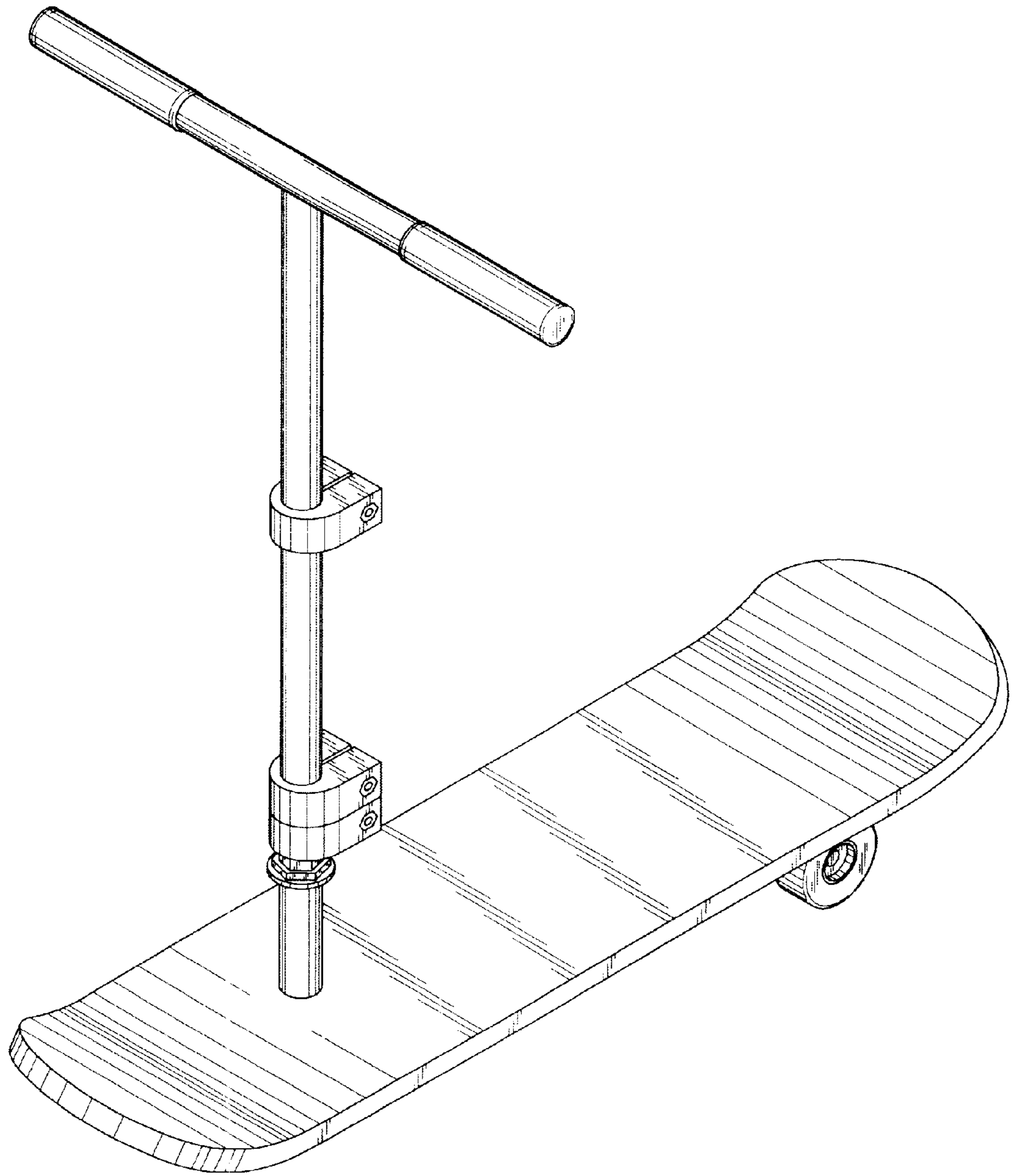


Fig. 1

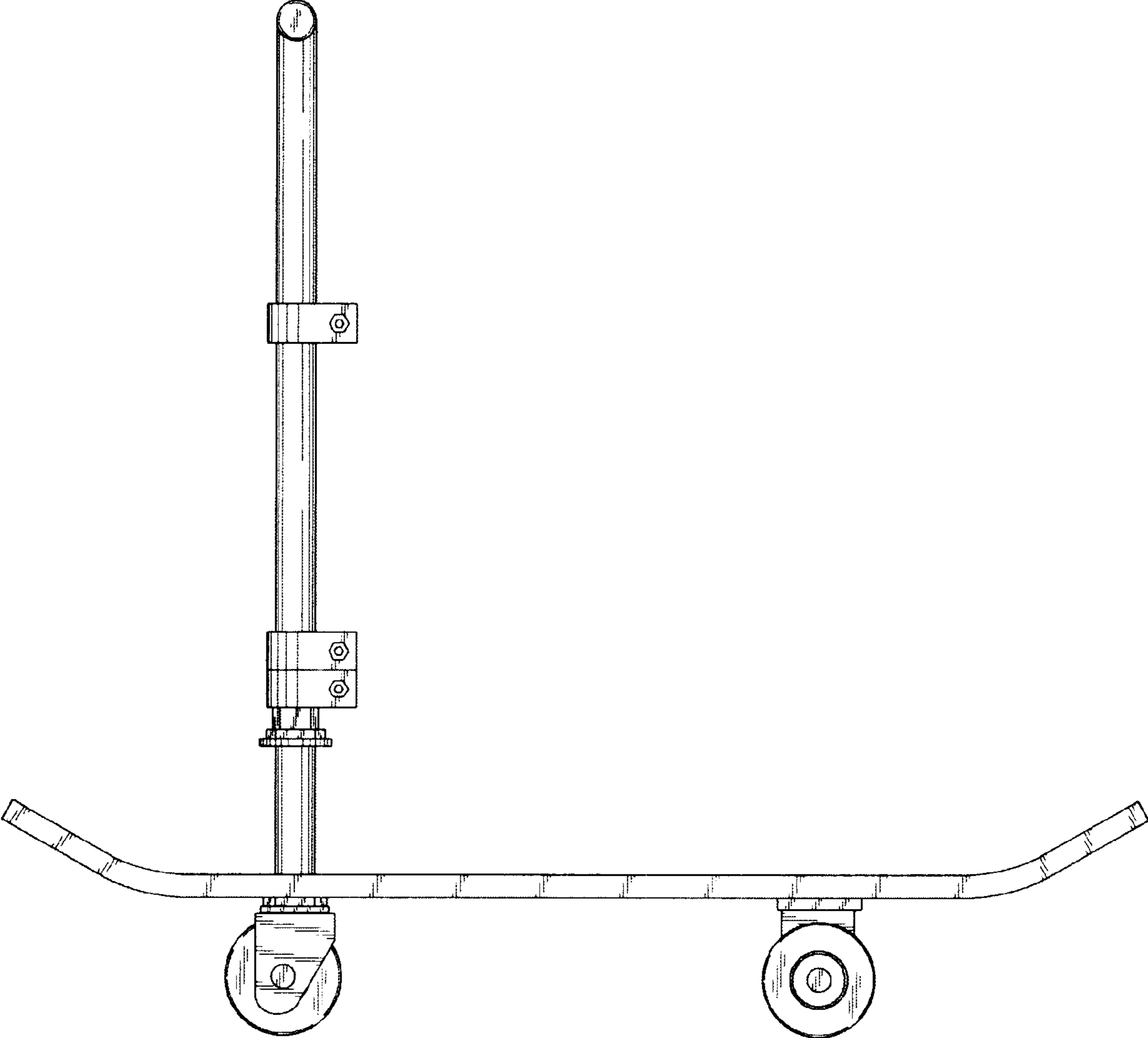


Fig. 2

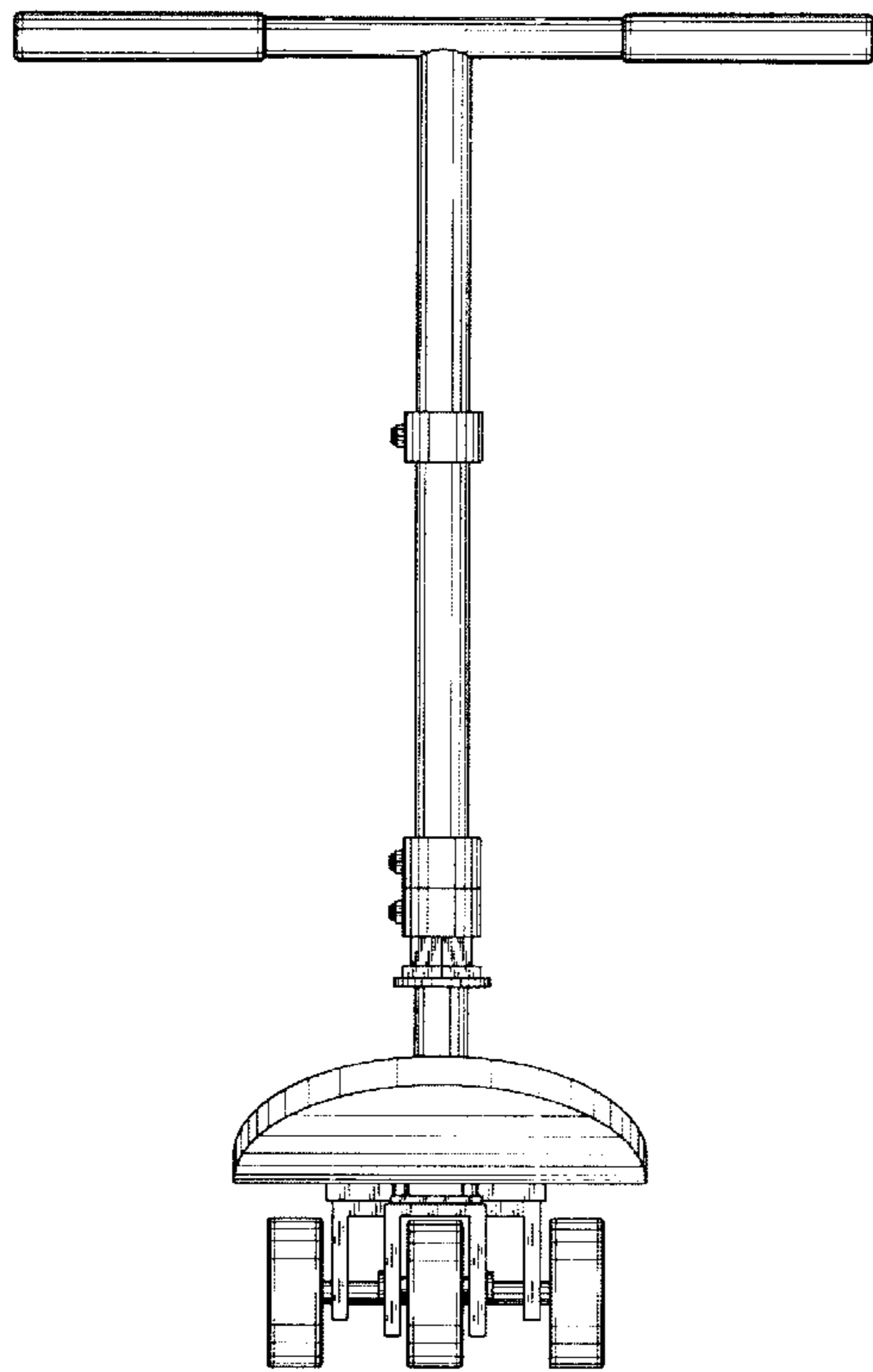


Fig. 3

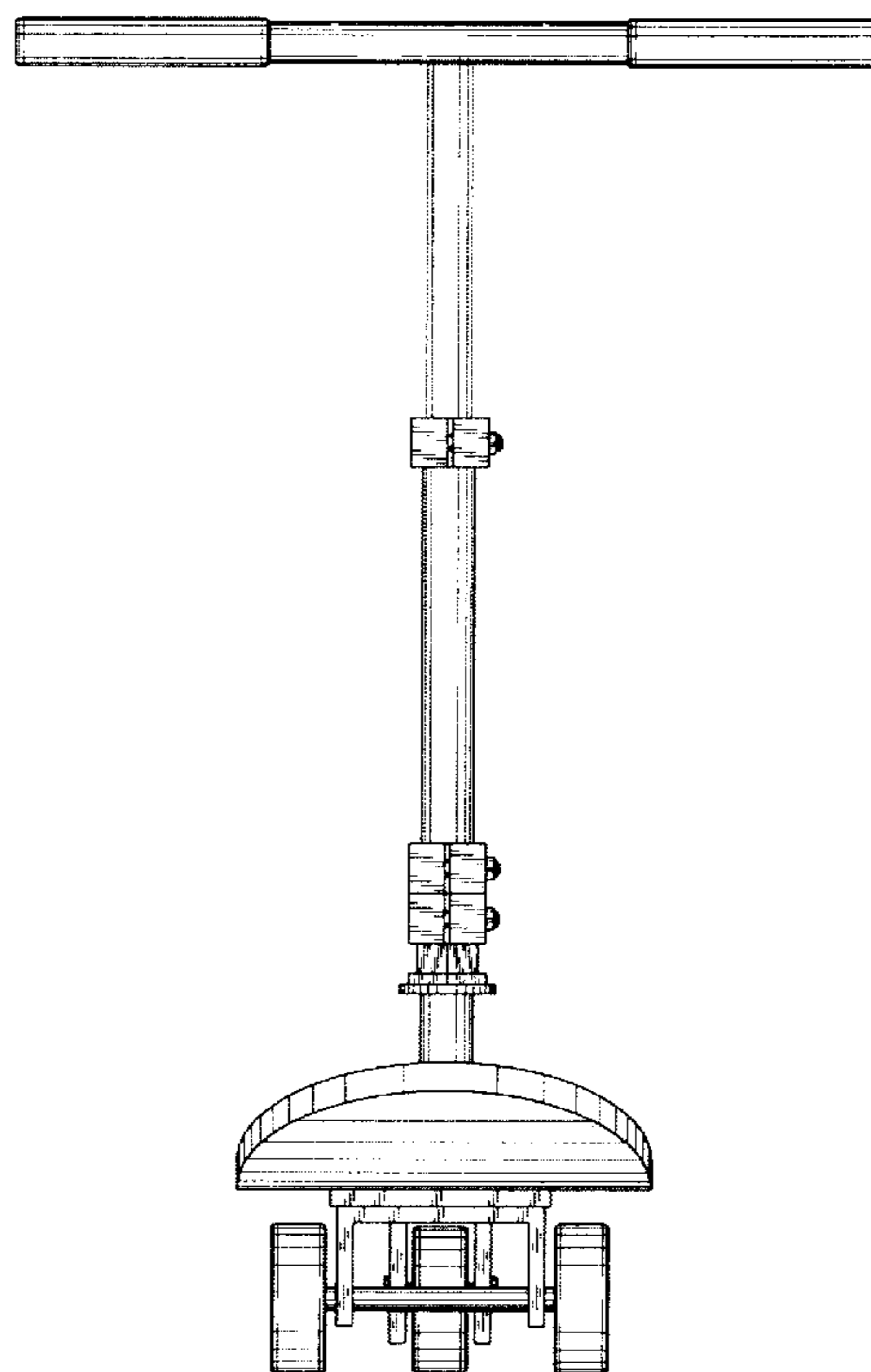


Fig. 4

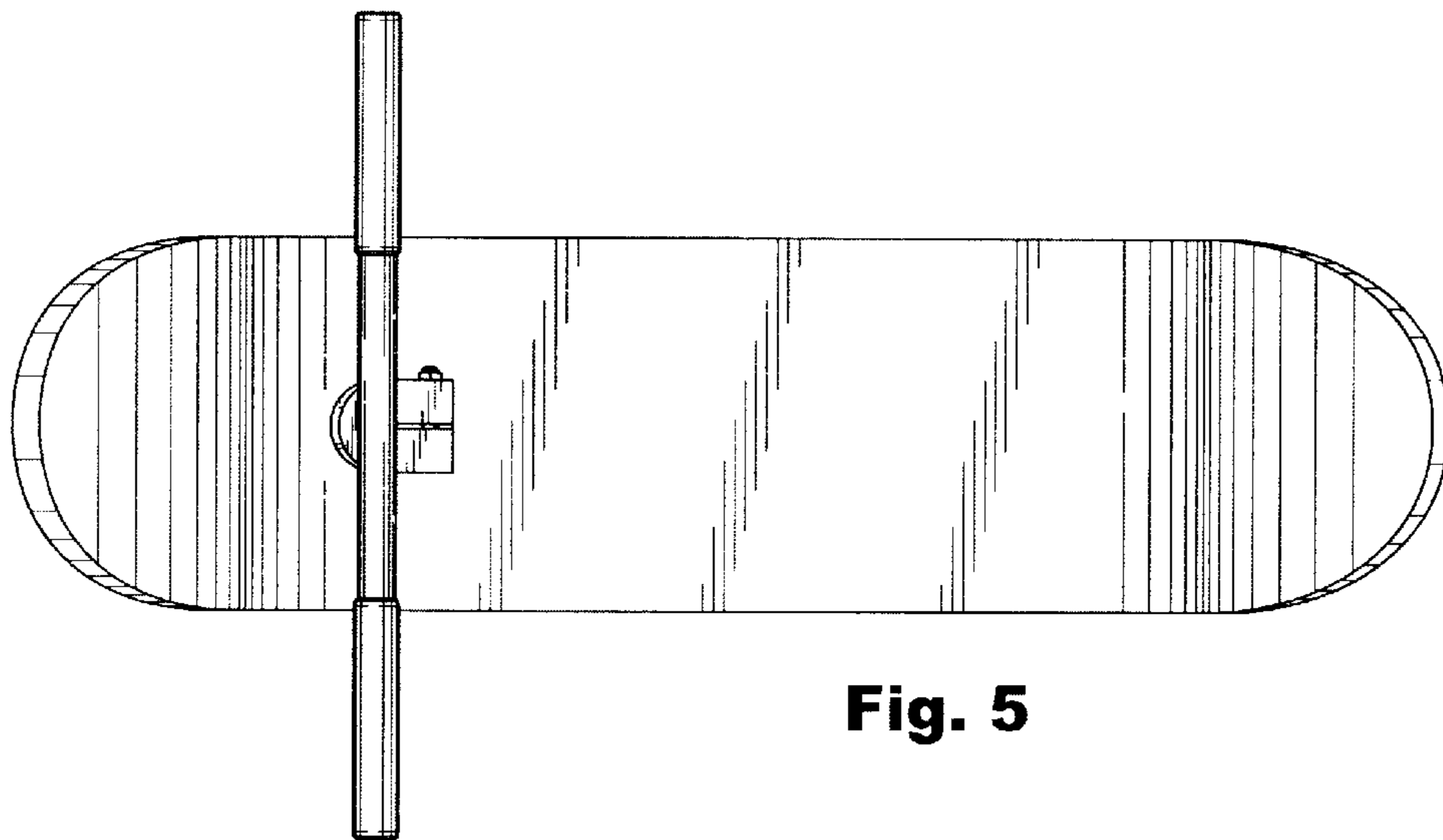


Fig. 5

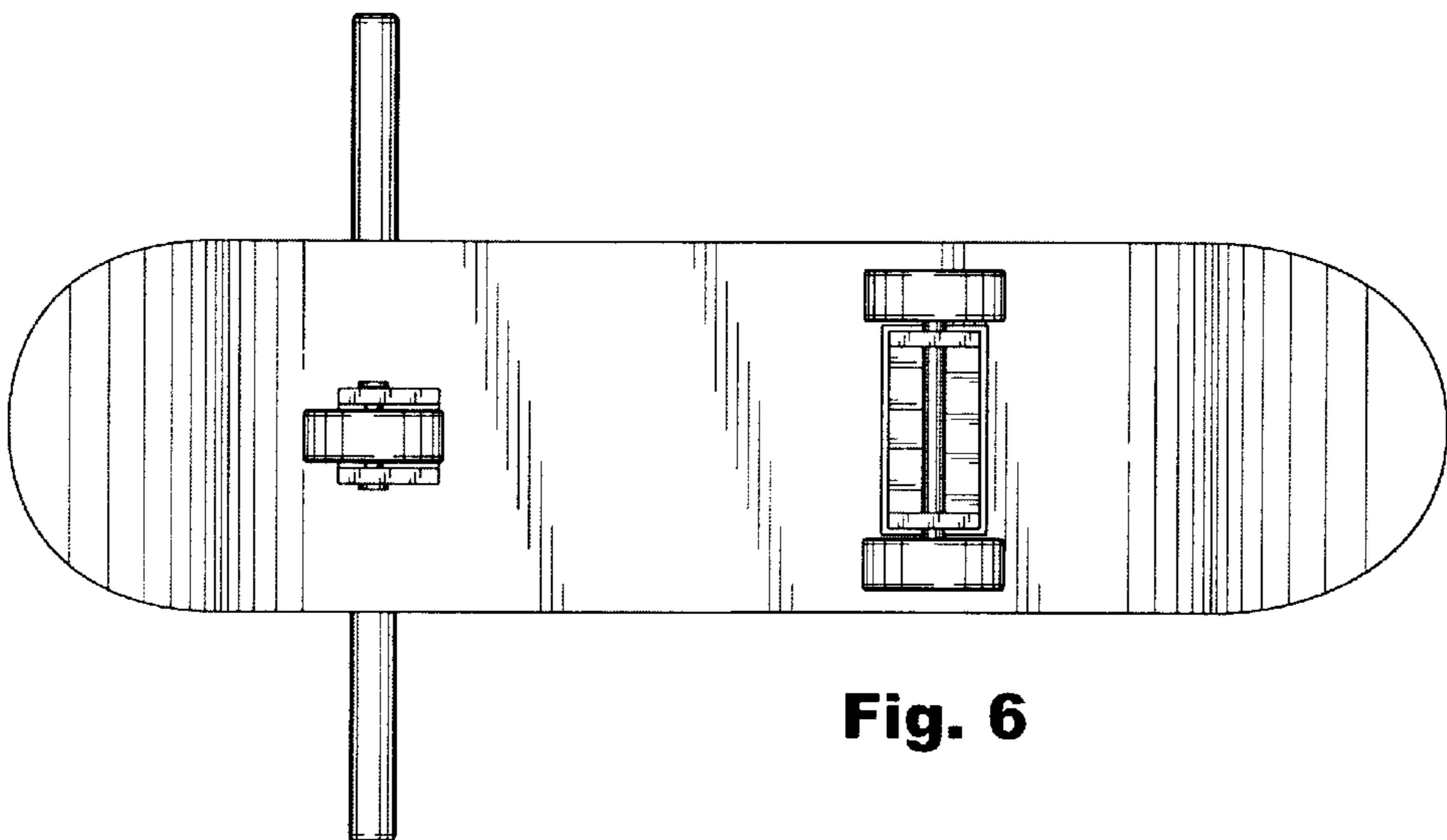


Fig. 6