



US00D514183S

(12) **United States Design Patent**
Schweigert et al.

(10) **Patent No.: US D514,183 S**
(45) **Date of Patent: ** Jan. 31, 2006**

(54) **GOLF IRON HEAD**

(75) Inventors: **Bradley D. Schweigert**, Anthem, AZ (US); **Michael R. Nicolette**, Scottsdale, AZ (US); **John A. Solheim**, Phoenix, AZ (US)

(73) Assignee: **Karsten Manufacturing Corporation**, Phoenix, AZ (US)

(**) Term: **14 Years**

(21) Appl. No.: **29/219,172**

(22) Filed: **Dec. 13, 2004**

Related U.S. Application Data

(62) Division of application No. 29/187,803, filed on Aug. 6, 2003, now Pat. No. Des. 502,975.

(51) **LOC (8) Cl.** **21-02**

(52) **U.S. Cl.** **D21/748**

(58) **Field of Classification Search** D21/747-751;
473/324-331, 350

See application file for complete search history.

(56) **References Cited**

U.S. PATENT DOCUMENTS

| | | |
|------------|--------|---------|
| D240,841 S | 8/1976 | Solheim |
| D256,264 S | 8/1980 | Solheim |
| D332,812 S | 1/1993 | Solheim |
| D357,293 S | 4/1995 | Solheim |
| D379,393 S | 5/1997 | Kubica |
| D422,043 S | 3/2000 | Kubica |

| | | |
|------------|--------|--------------------|
| D429,299 S | 8/2000 | Kubica |
| D436,149 S | 1/2001 | Helmstetter et al. |
| D442,659 S | 5/2001 | Kubica |
| D443,008 S | 5/2001 | Kubica et al. |
| D468,787 S | 1/2003 | Oosthuizen |
| D469,136 S | 1/2003 | Roberts |
| D470,554 S | 2/2003 | Truesdale |
| D473,605 S | 4/2003 | Peterson |
| D494,648 S | 8/2004 | Schweigert et al. |

Primary Examiner—Mitchell Siegel

(74) *Attorney, Agent, or Firm*—Darrell F. Marquette

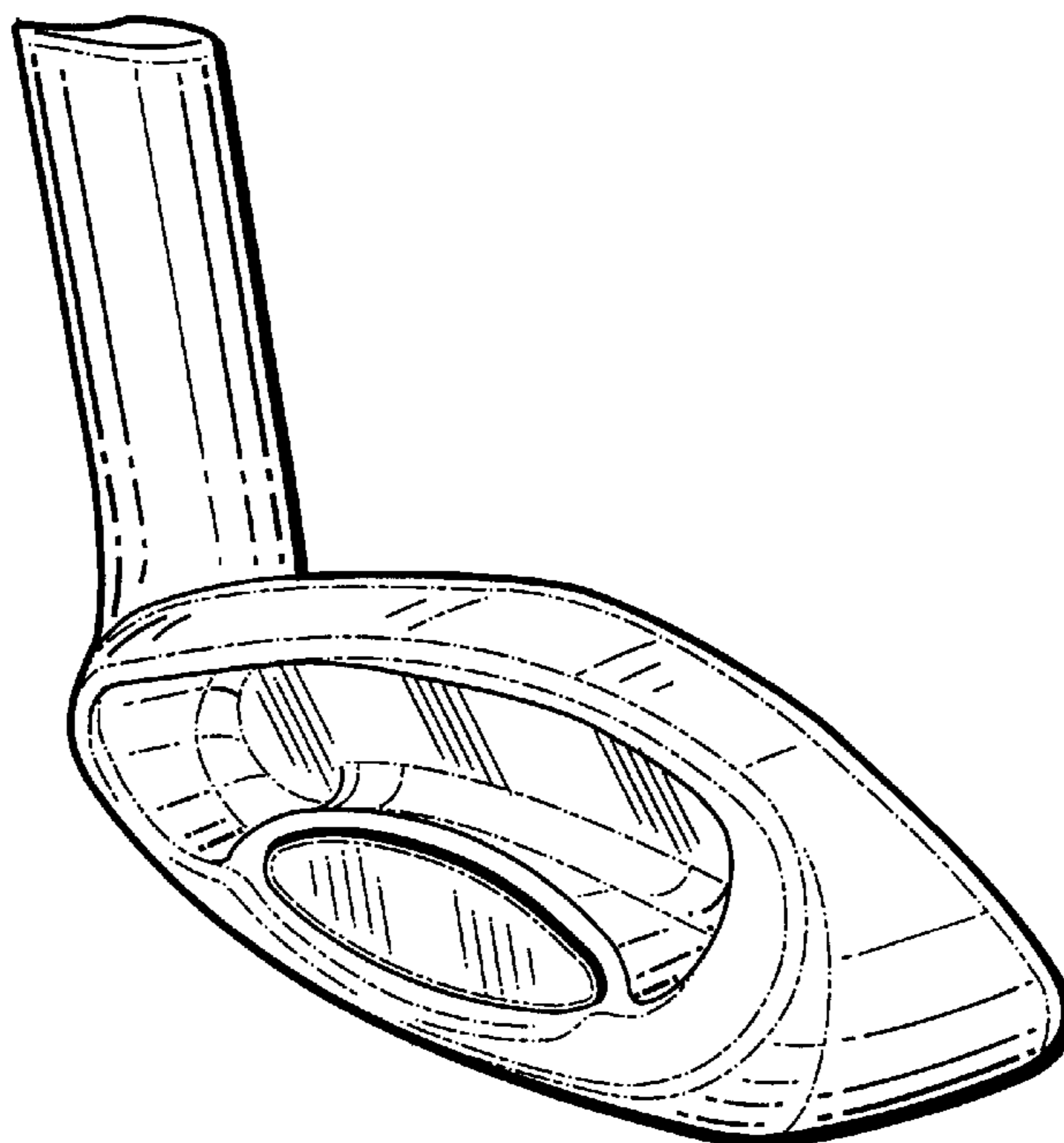
(57) **CLAIM**

The ornamental design for a golf iron head, as shown and described.

DESCRIPTION

FIG. 1 is a perspective view of a golf iron head with a high loft angle such as a wedge showing our new design;
 FIG. 2 is a toe end view of the golf iron head of FIG. 1;
 FIG. 3 is a heel end view of the golf iron head of FIG. 1;
 FIG. 4 is a top view of the golf iron head of FIG. 1;
 FIG. 5 is a bottom view of the golf iron head of FIG. 1;
 FIG. 6 is a front elevational view of the golf iron head of FIG. 1;
 FIG. 7 is a rear elevational view of the golf iron head of FIG. 1;
 FIG. 8 is an enlarged sectional view taken on line 8—8 in FIG. 7; and,
 FIG. 9 is an enlarged sectional view taken on line 9—9 in FIG. 7.

1 Claim, 3 Drawing Sheets



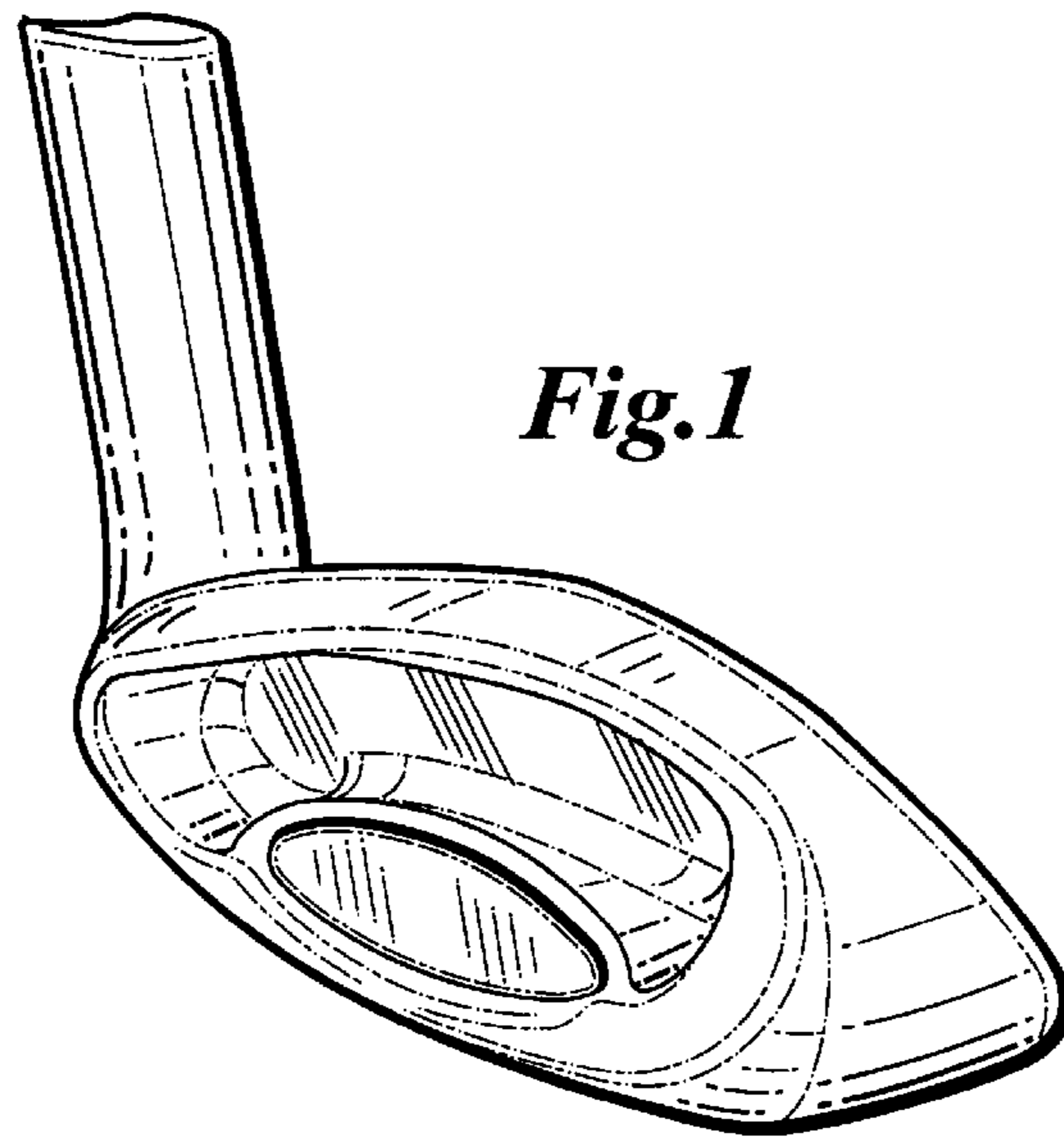


Fig.1

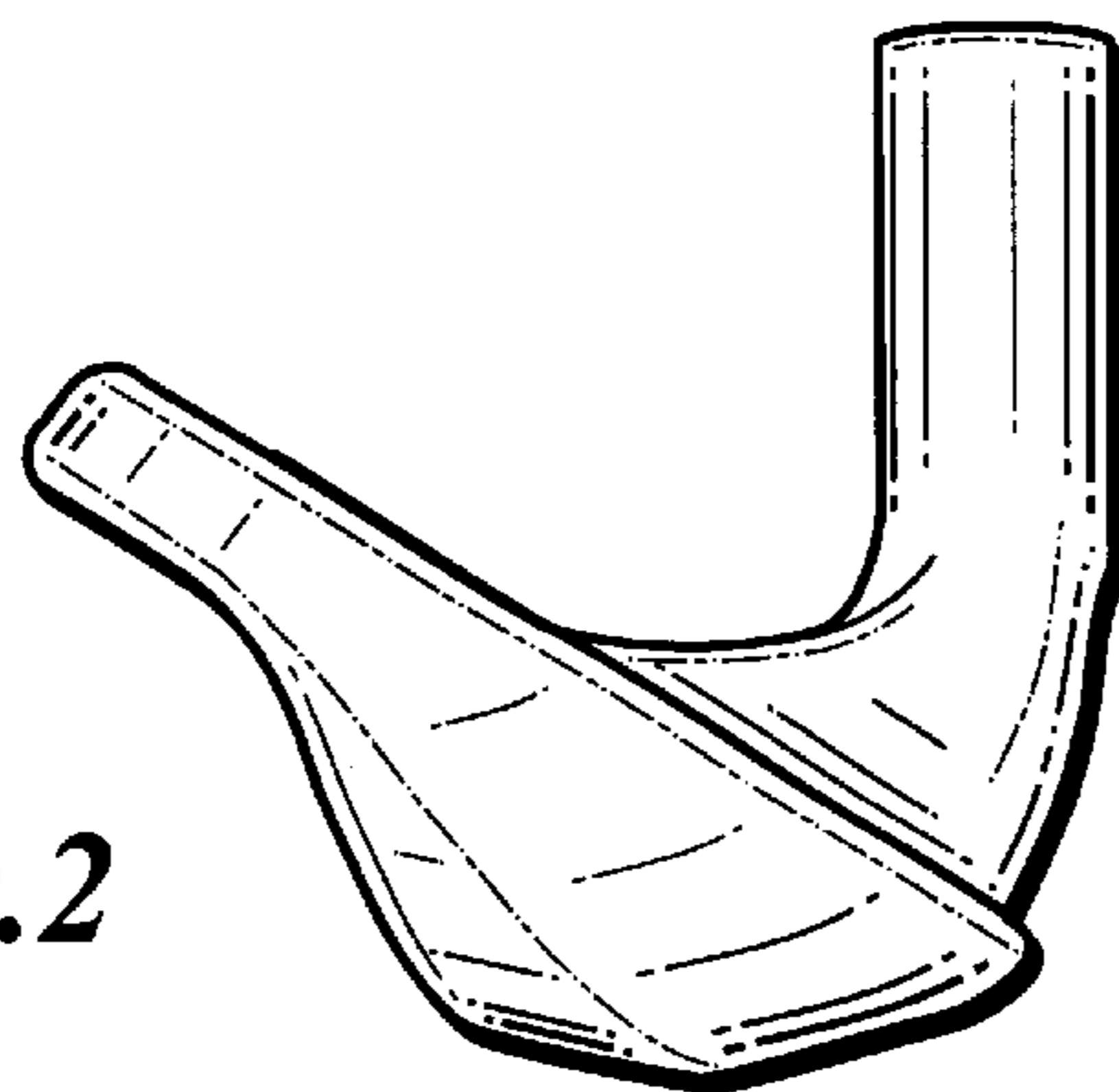


Fig.2

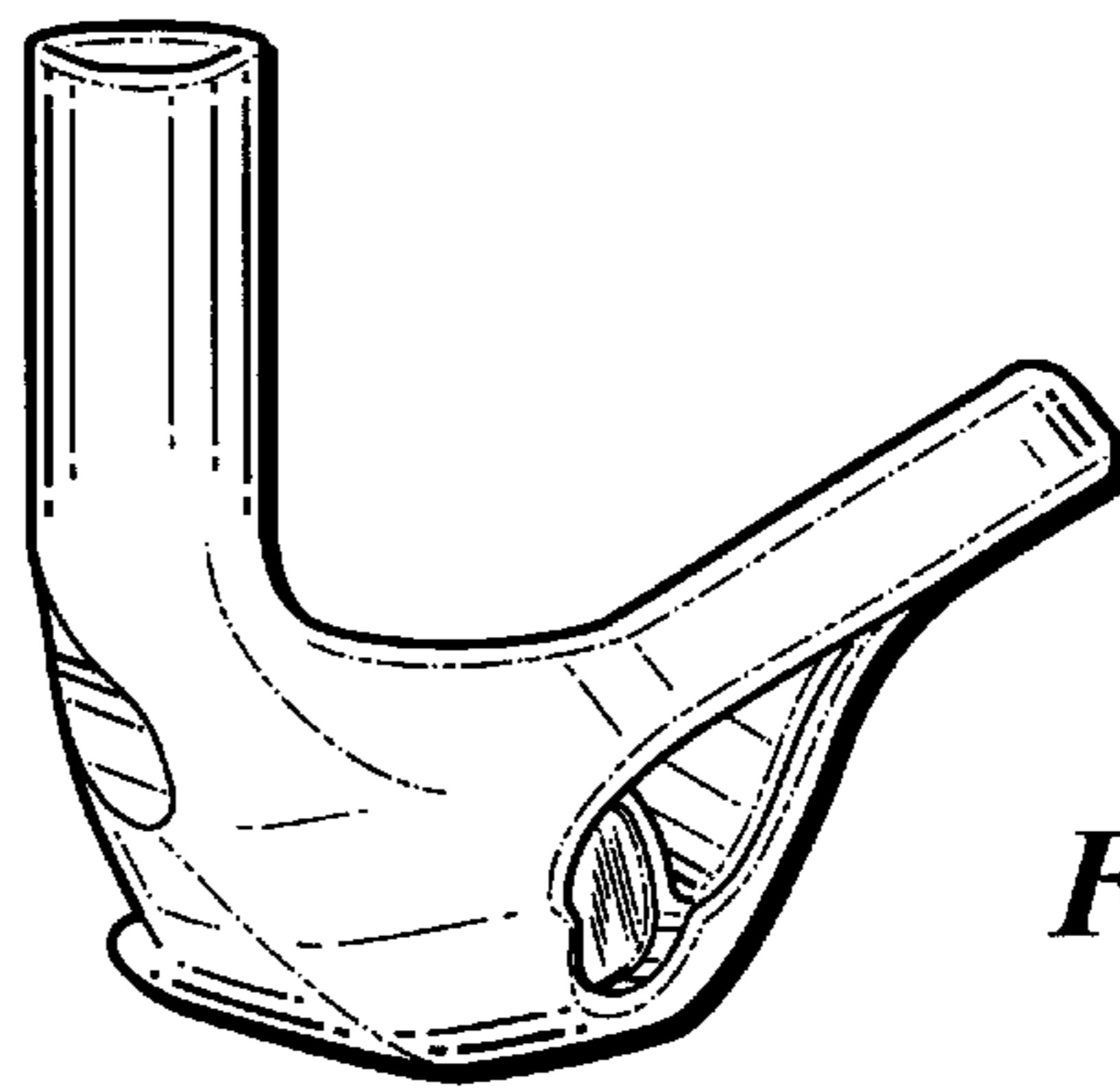


Fig.3

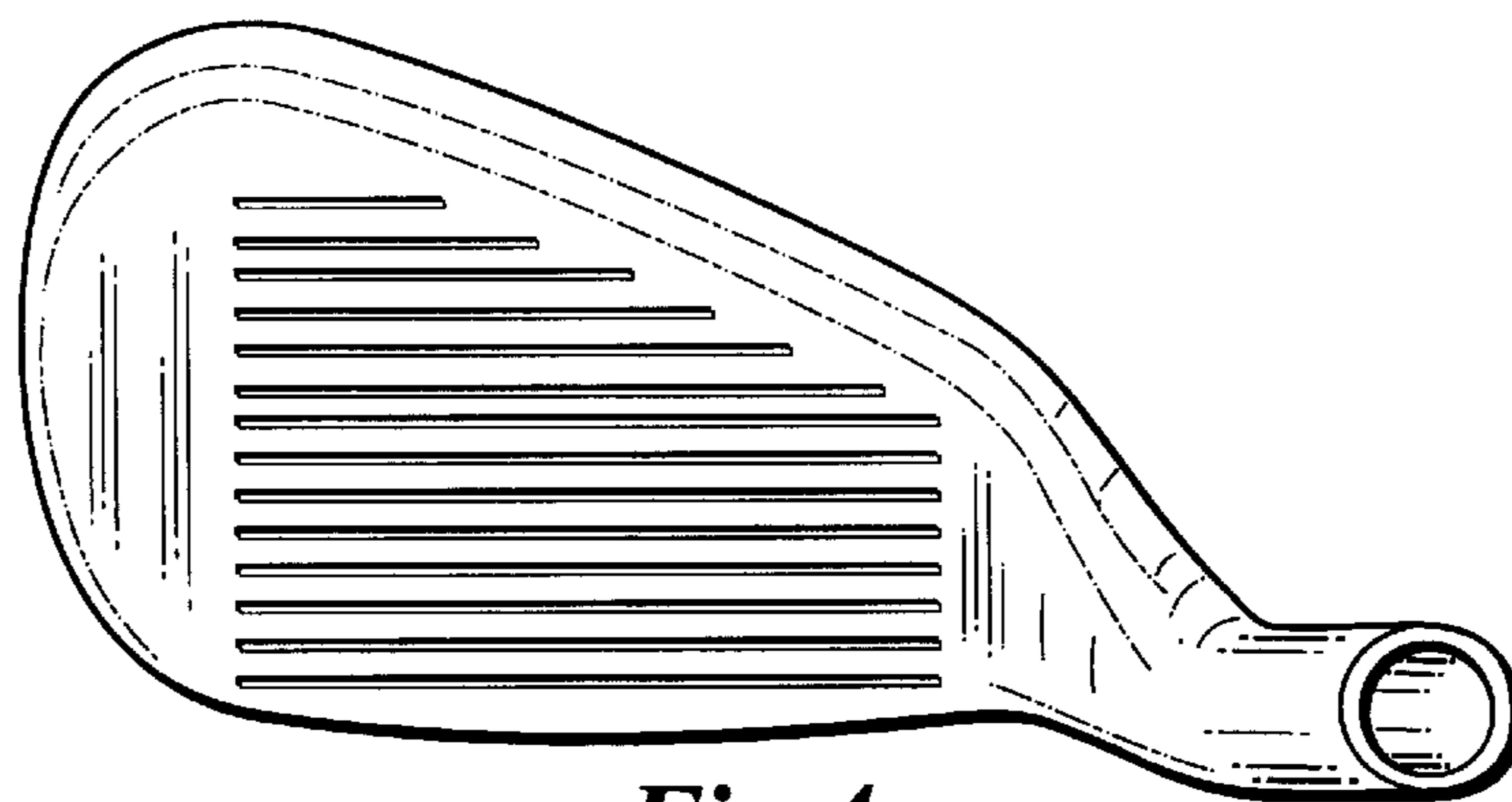


Fig.4

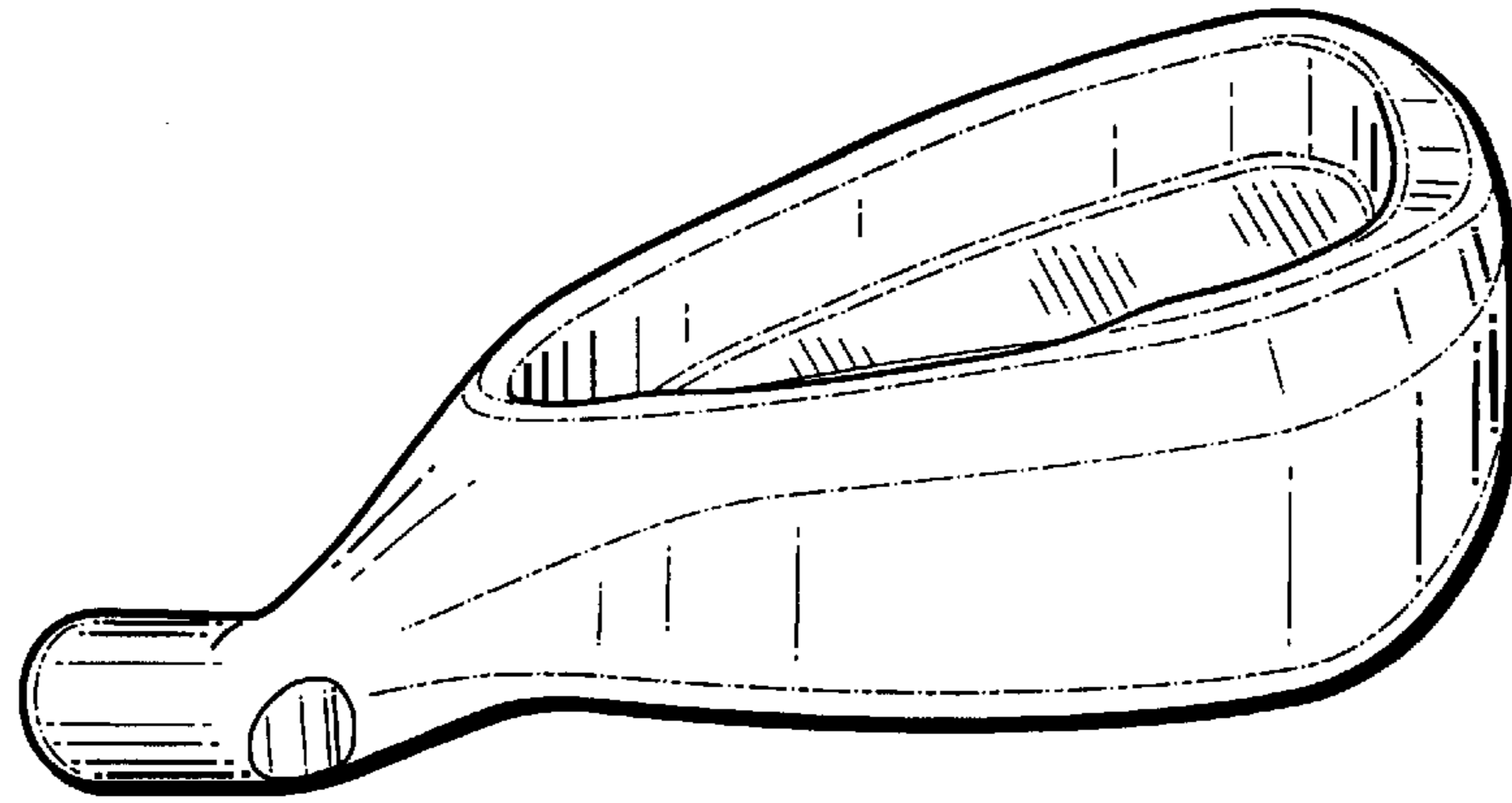


Fig. 5

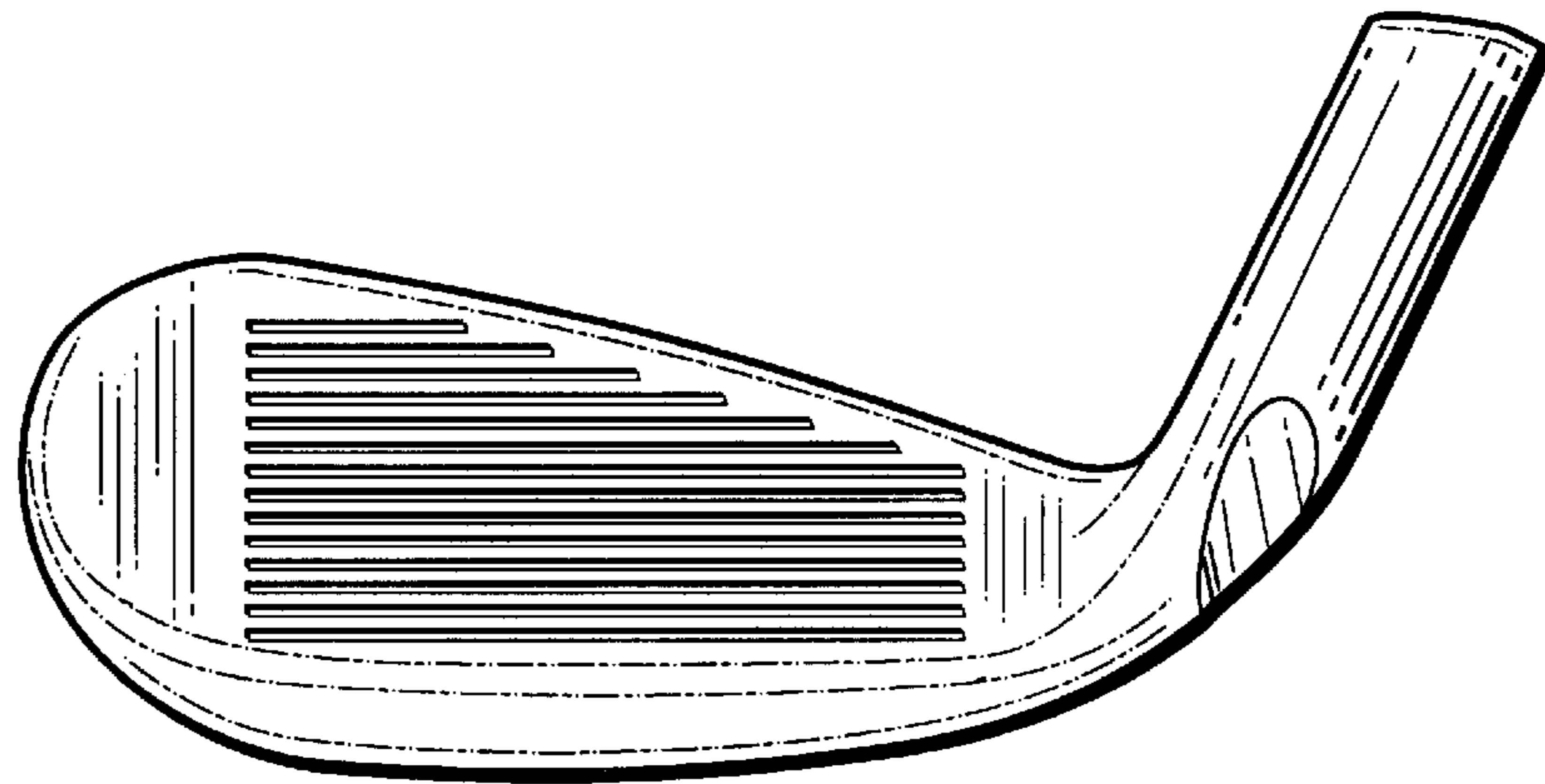


Fig. 6

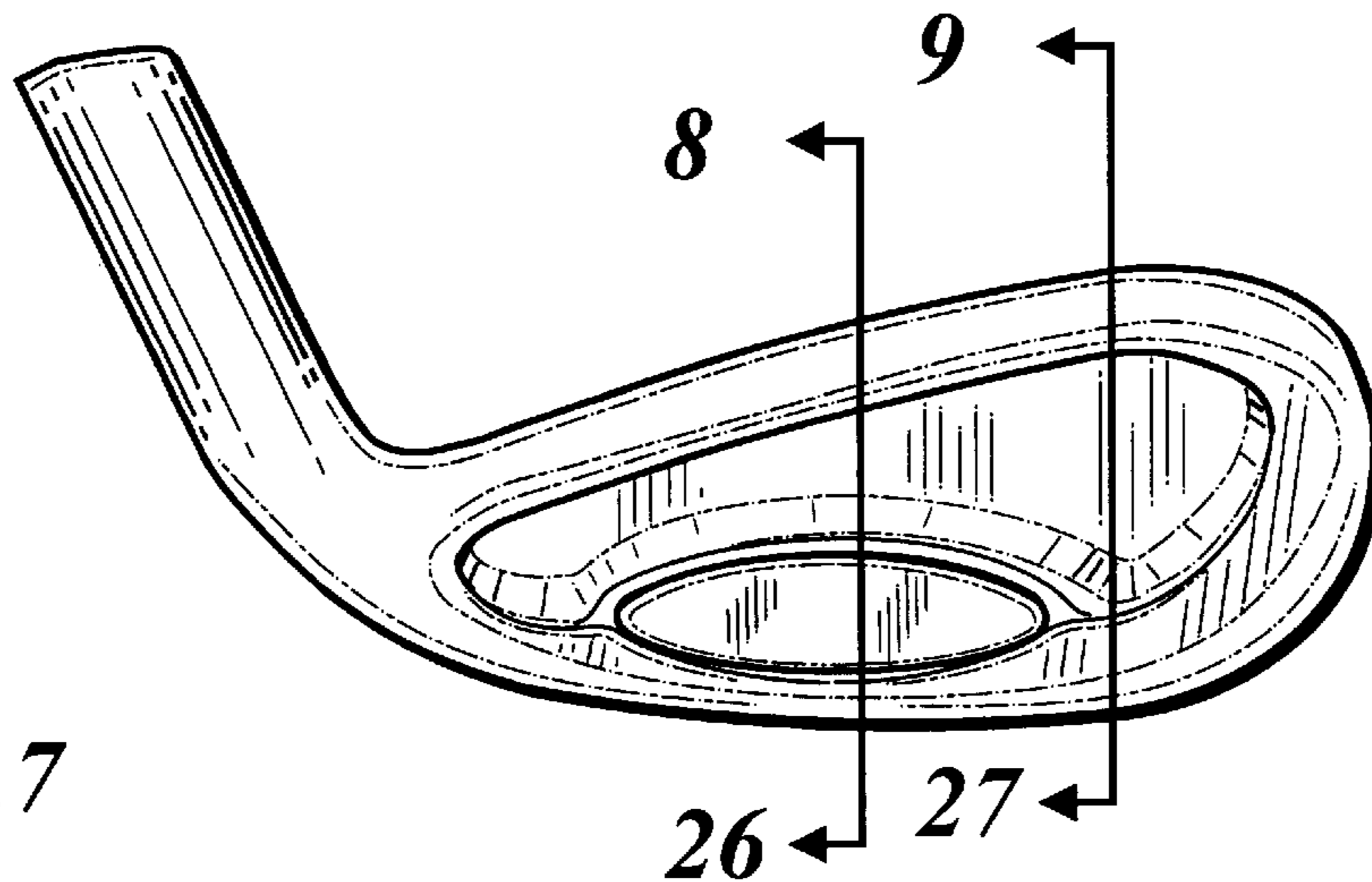


Fig. 7

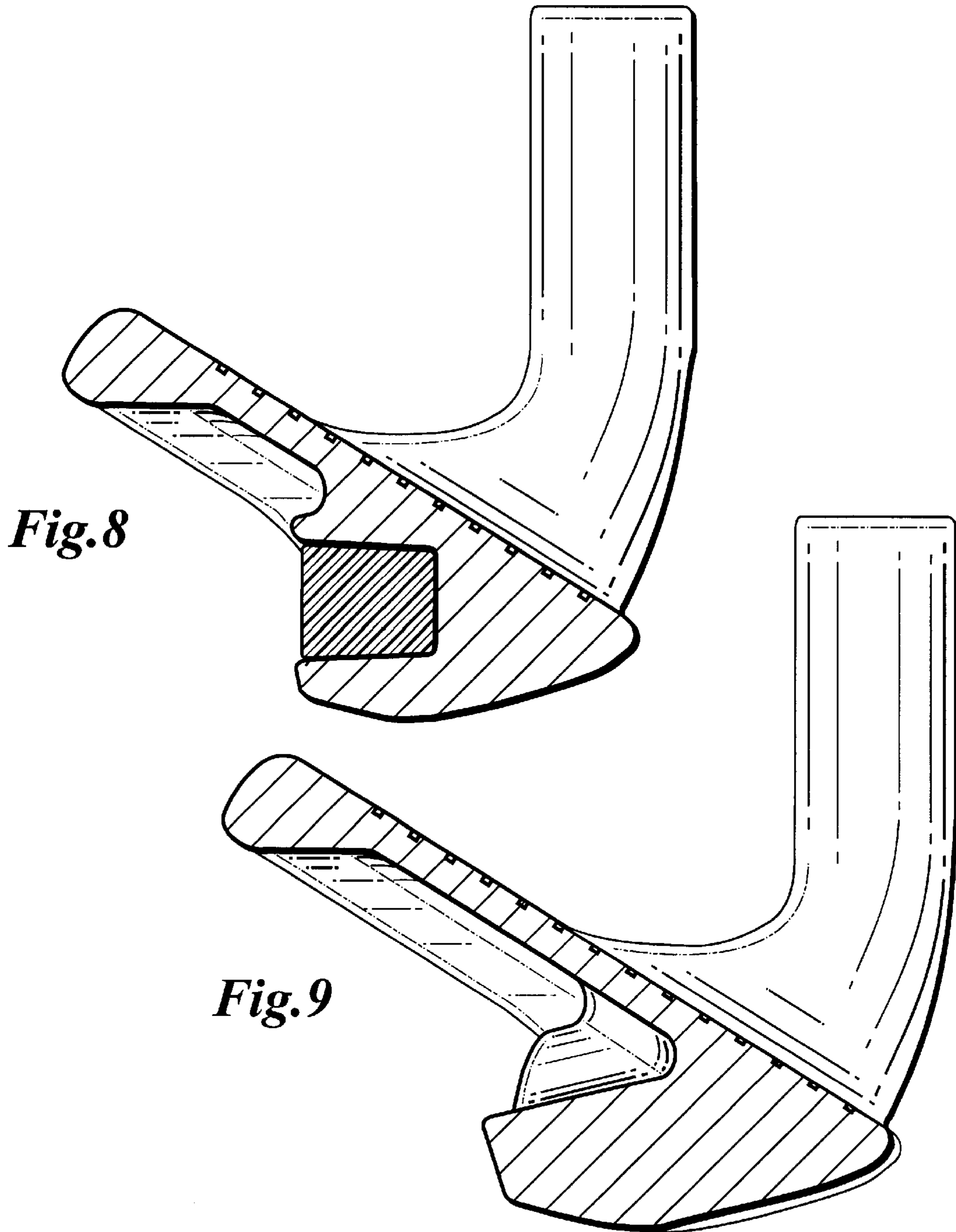


Fig. 8

Fig. 9