



US00D514182S

(12) **United States Design Patent** (10) **Patent No.:** **US D514,182 S**  
**Olsavsky et al.** (45) **Date of Patent:** **\*\* Jan. 31, 2006**

(54) **GOLF CLUB HEAD**

D356,356 S 3/1995 Jacobs  
D364,666 S 11/1995 Nagy

(75) Inventors: **Thomas Olsavsky**, Carlsbad, CA (US);  
**Sherry L. Jones**, Pataskala, OH (US);  
**Sean Toulon**, Vista, CA (US); **Steven**  
**D. Gray**, Poway, CA (US); **Mark A.**  
**Morgulis**, San Diego, CA (US)

(Continued)

**FOREIGN PATENT DOCUMENTS**

JP 09-028844 2/1997

**OTHER PUBLICATIONS**

Putters, two-page print-out from <http://www.marticogolf.com/putter-list.htm>.

Taylor Made Golf Company brochure, Orlando 1991.  
Clubmaking Catalog, Orlando 1991, "Wedges & Putters," p. 108.

Edwin Watts Golf Catalog, Summer 2002, "T-Bar Putter, New Belly Putters" and "Tour Edge T-Balanced Belly Putter," p. 41.

Edwin Watts Golf Catalog, Summer 2002, "Zen Oracle Training Putter," Item No. 6762, p. 49.

*Primary Examiner*—Mitchell Siegel

(74) *Attorney, Agent, or Firm*—Sheppard, Mullin, Richter & Hampton LLP

(73) Assignee: **Taylor Made Golf Company, Inc.**,  
Carlsbad, CA (US)

(\*\*) Term: **14 Years**

(21) Appl. No.: **29/198,007**

(22) Filed: **Jan. 22, 2004**

(Under 37 CFR 1.47)

**Related U.S. Application Data**

(63) Continuation of application No. 29/173,881, filed on Jan. 8, 2003, now Pat. No. Des. 488,200.

(51) **LOC (8) Cl.** ..... **21-02**

(52) **U.S. Cl.** ..... **D21/743**

(58) **Field of Classification Search** ..... D21/736-746;  
473/324-331, 251-256, 340, 341

See application file for complete search history.

(57) **CLAIM**

We claim the ornamental design for a golf club head, as shown and described.

**DESCRIPTION**

FIG. 1 is a top right perspective view of a golf club head embodying our new design.

FIG. 2 is a right side elevational view of the golf club head of FIG. 1.

FIG. 3 is a top plan view of the golf club head of FIG. 1.

FIG. 4 is a front elevational view of the golf club head of FIG. 1.

FIG. 5 is a left side elevational view of the golf club head of FIG. 1.

FIG. 6 is a rear elevational view of the golf club head of FIG. 1; and,

FIG. 7 is a bottom plan view of the golf club head of FIG. 1.

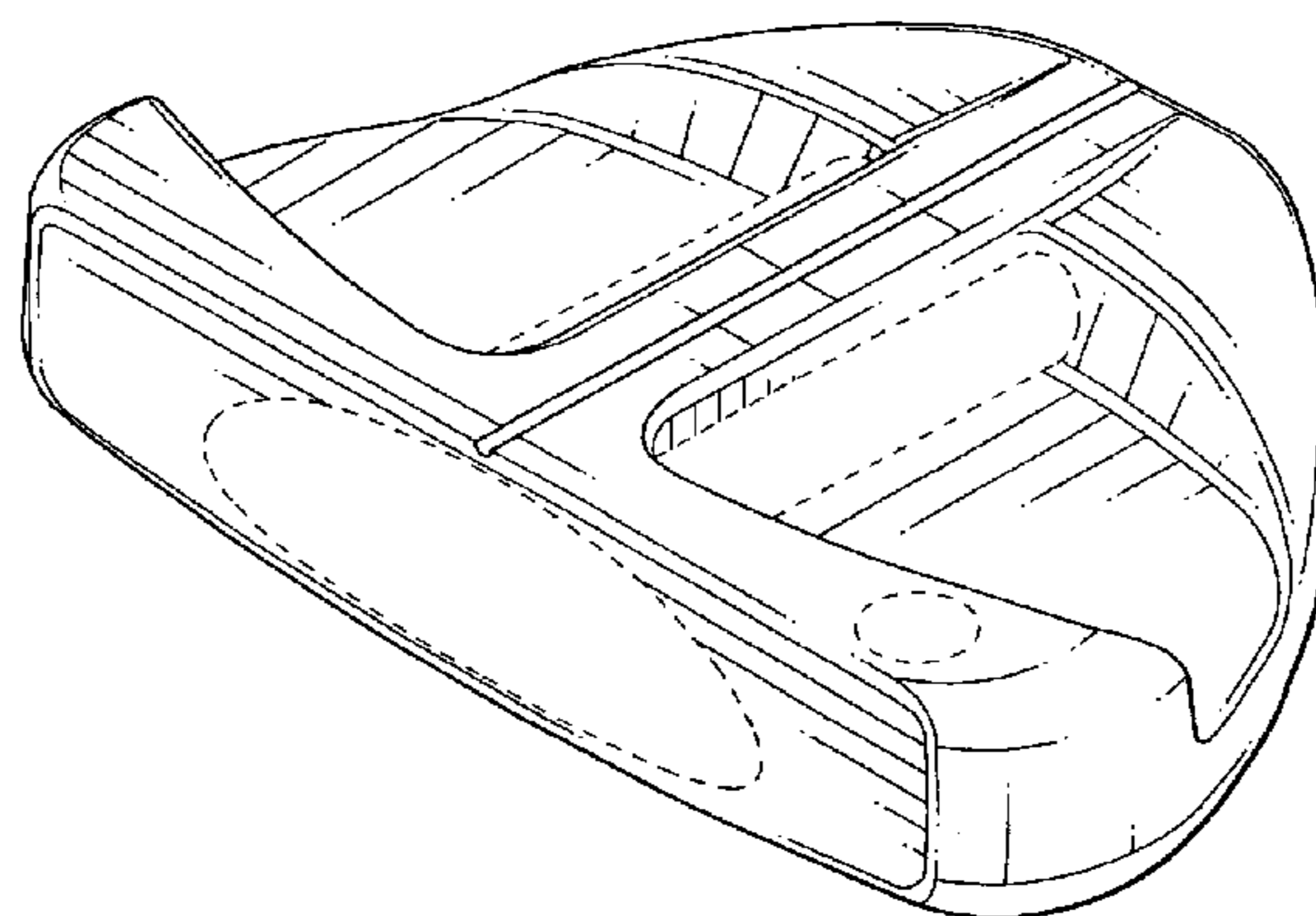
The broken lines are included for illustrative purposes only, and form no part of the claimed design.

(56) **References Cited**

**U.S. PATENT DOCUMENTS**

2,954,231 A	9/1960	MacIntyre
D234,962 S	4/1975	Swash
3,979,123 A	9/1976	Belmont
4,141,556 A	2/1979	Paulin
4,325,553 A	4/1982	Taylor
D282,952 S	3/1986	Mattingly
D318,702 S	7/1991	Igarashi
D320,638 S	10/1991	Mermillod
D322,828 S	12/1991	Mermillod
D333,331 S	2/1993	Evans
D337,803 S	7/1993	Sillers
D342,558 S	12/1993	Diesterheft
5,344,151 A	9/1994	Anderson et al.
D354,535 S	1/1995	Queen

**1 Claim, 4 Drawing Sheets**



# US D514,182 S

Page 2

---

U.S. PATENT DOCUMENTS					
D365,615 S	12/1995	Shimatani	5,830,078 A	11/1998	McMahan ..... 473/252
D366,919 S	2/1996	Jacobs	D415,228 S	10/1999	Besnard
5,489,097 A	2/1996	Simmons	D430,631 S	9/2000	Garcia ..... D21/742
D372,752 S	8/1996	Raudman	D461,514 S	8/2002	Tang et al. .... D21/742
D375,131 S	10/1996	Williams	D461,861 S	8/2002	Tang et al. .... D21/742
5,580,058 A	12/1996	Coughlin	D463,002 S	9/2002	Tang et al. .... D21/759
D377,675 S	1/1997	Abel	D467,985 S	12/2002	Tang et al. .... D21/742
5,630,765 A	5/1997	Moore ..... 473/252	D470,904 S	2/2003	Tang et al. .... D21/742
D380,515 S	7/1997	Fabbri, Jr. et al.	D479,291 S	9/2003	Murray ..... D21/742
D382,613 S	8/1997	Devendorf	D488,200 S *	4/2004	Olsavsky et al. .... D21/743
5,685,784 A	11/1997	Butler ..... 473/340	2002/0034986 A1	3/2002	Helmstetter et al. .... 473/340
D395,692 S	6/1998	Butler	2002/0123393 A1	9/2002	Tang et al. .... 473/340
D399,290 S	10/1998	Sizemore, Jr. .... D21/742			

\* cited by examiner

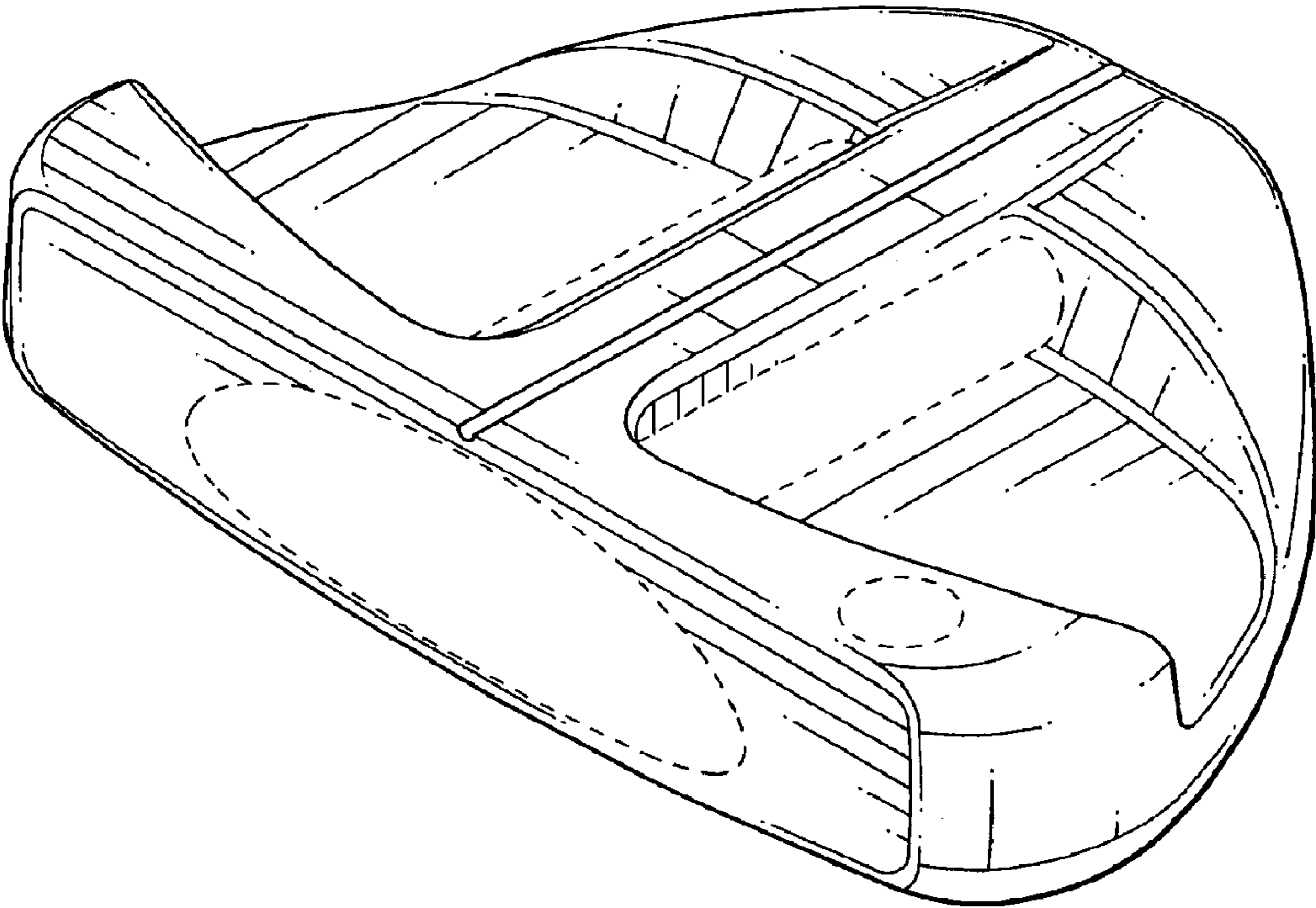


FIG. 1

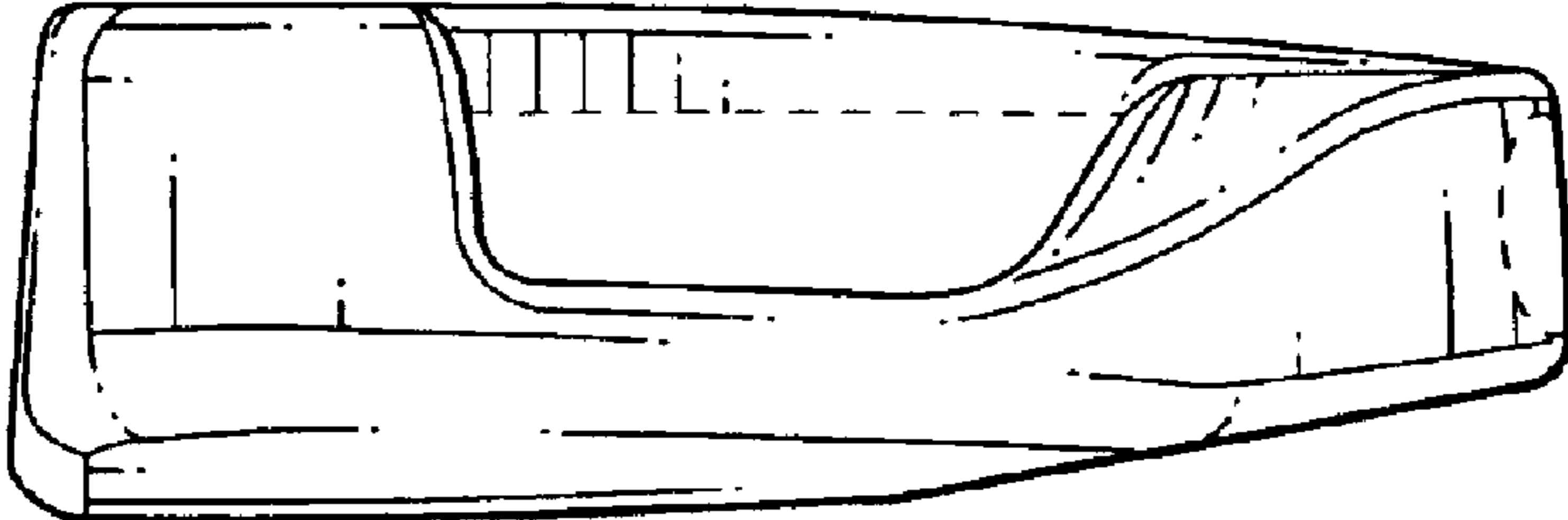


FIG. 2

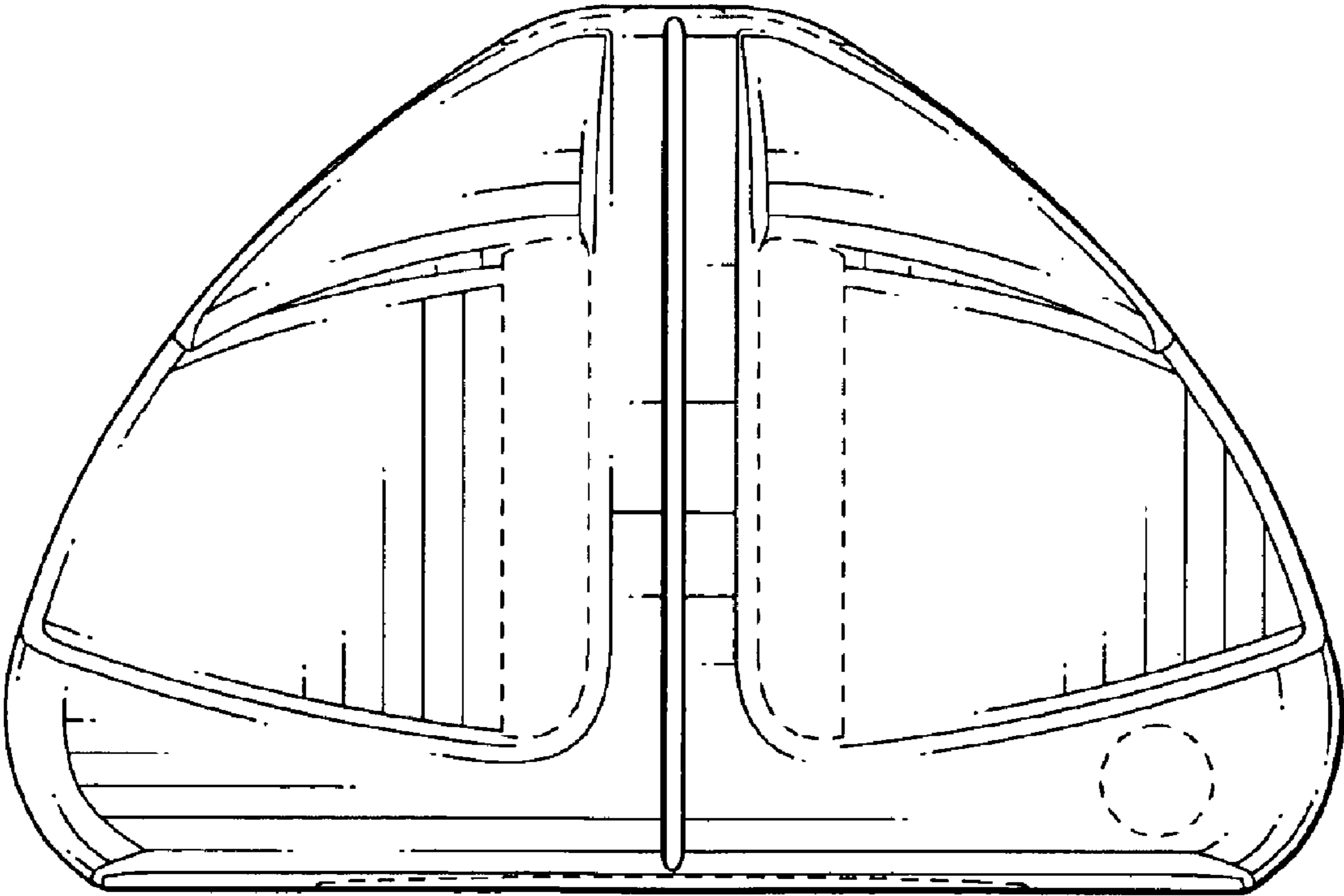


FIG. 3

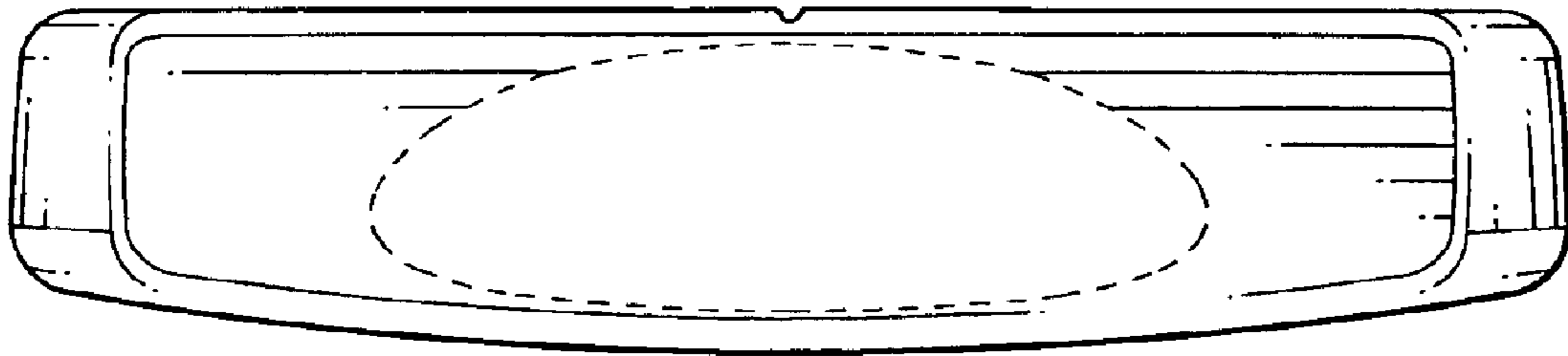


FIG. 4

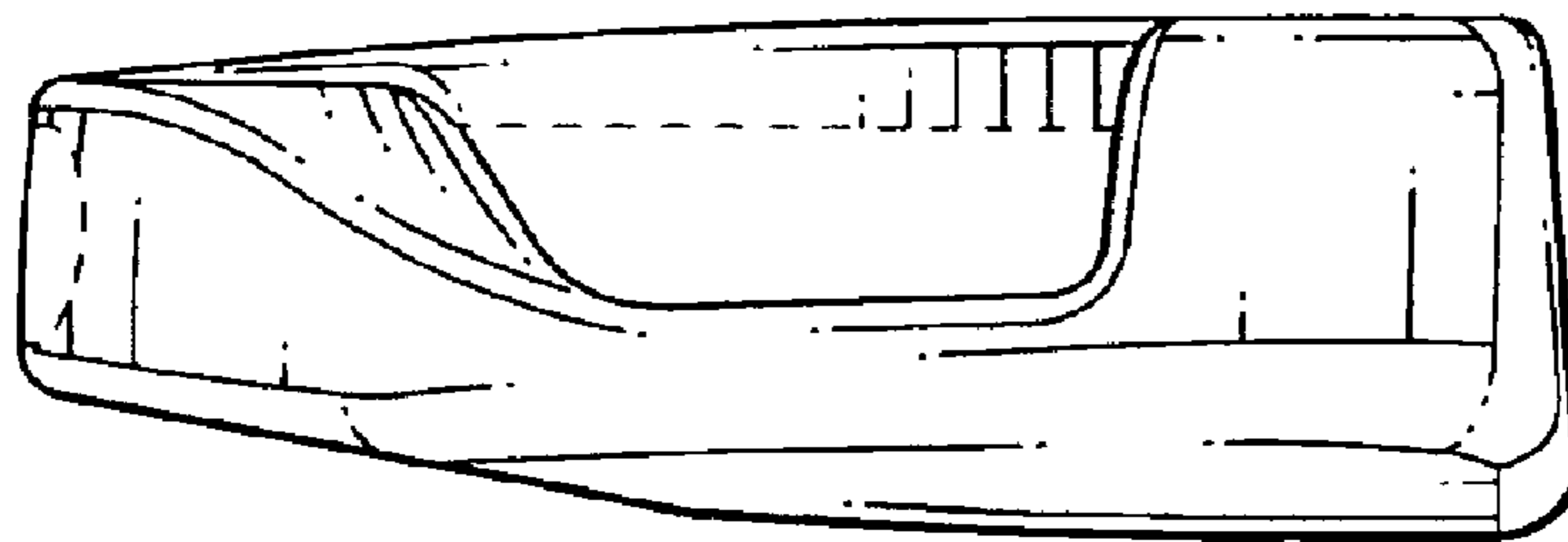


FIG. 5

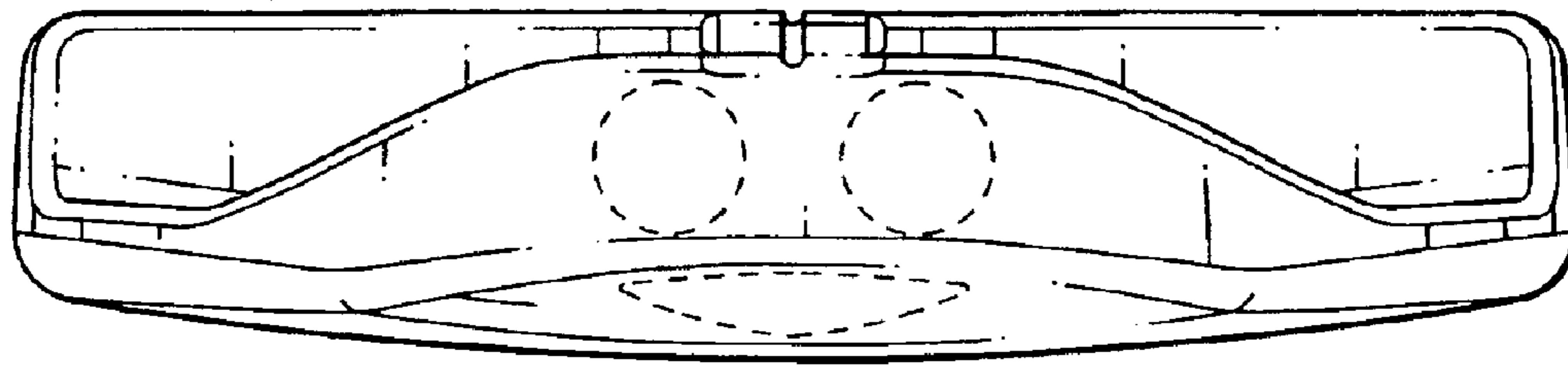


FIG. 6

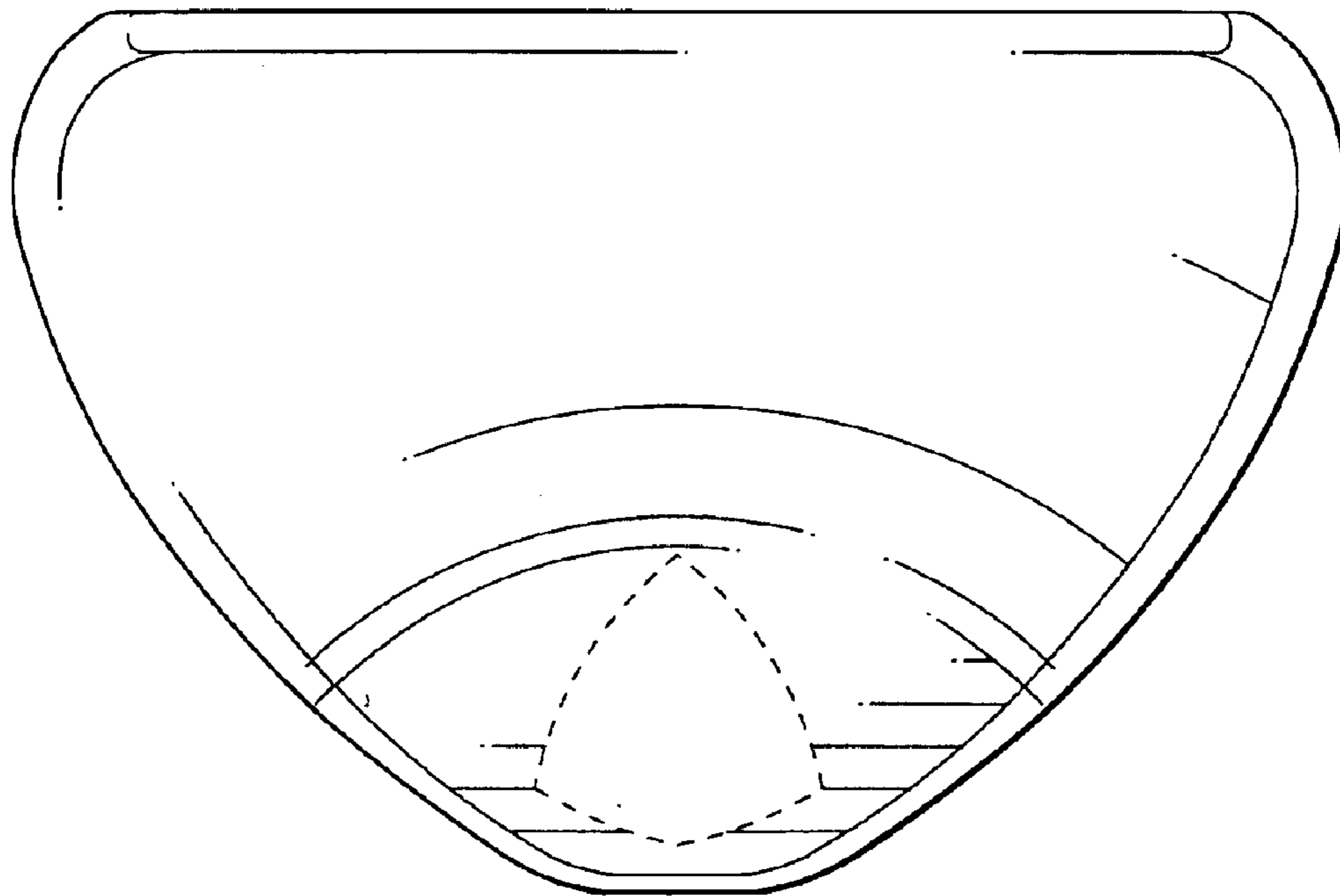


FIG. 7