



US00D514177S

(12) **United States Design Patent**
Connerley

(10) **Patent No.: US D514,177 S**
(45) **Date of Patent: ** Jan. 31, 2006**

- (54) **NET SUPPORT**
- (75) **Inventor: James J. Connerley, Noblesville, IN (US)**
- (73) **Assignee: Gared Holdings, LLC, Noblesville, TN (US)**
- (**) **Term: 14 Years**
- (21) **Appl. No.: 29/214,045**
- (22) **Filed: Sep. 27, 2004**
- (51) **LOC (8) Cl. 21-02**
- (52) **U.S. Cl. D21/699; D21/705; D21/799.1; D21/840; D8/349; D11/183**
- (58) **Field of Classification Search D21/305, D21/698-705, 789-796, 799.1, 834-840; D8/1, 71, 349, 354, 363, 373, 382, 388, 389, D8/396; D6/403, 405, 416, 417, 449, 458, D6/462, 469, 495, 499, 512, 552; D11/164, D11/166, 181-183; D25/133, 134; 473/434, 473/435, 459, 462, 469, 472-474, 476-495; 211/60.1, 70.8; 248/545, 511, 512, 519, 520, 248/523, 524, 530, 532, 534, 538, 156, 158, 248/160, 176.1, 309.1, 310, 314, 316.8, 351, 248/507, 508, 188.8, 188.91; 52/155-165, 52/298**

See application file for complete search history.

(56) **References Cited**

U.S. PATENT DOCUMENTS

1,025,904 A	*	5/1912	Earhart	116/173
1,220,299 A	*	3/1917	Viden	248/538
2,261,527 A	*	11/1941	Shannon	248/545
2,735,394 A		2/1956	Walpole	
2,870,884 A	*	1/1959	Mazur	52/158
3,076,532 A	*	2/1963	Frye	52/157
3,195,898 A		7/1965	Respini	
3,197,928 A	*	8/1965	Frye	52/157

3,328,928 A		7/1967	Frye	
3,698,712 A		10/1972	Pero	
D226,507 S	*	3/1973	Wright	D22/112
3,840,203 A	*	10/1974	Sheehy	248/188.8
3,996,708 A	*	12/1976	Frye	52/157
4,040,214 A		8/1977	Frye	
4,093,224 A		6/1978	Hale	
4,144,971 A		3/1979	Balibrea	
4,357,019 A		11/1982	Wouters	
4,407,507 A	*	10/1983	Caruso et al.	273/400
D287,156 S	*	12/1986	Sloane	D21/840
4,913,428 A		4/1990	Nauman	
5,176,344 A		1/1993	Eberhard	
5,303,932 A		4/1994	Kessler	
D400,426 S	*	11/1998	Gillin	D8/354
D464,499 S	*	10/2002	Gharst	D6/416

* cited by examiner

Primary Examiner—Catherine Tuttle
(74) *Attorney, Agent, or Firm*—Brinks Hofer Gilson Lione

(57) **CLAIM**

I claim the ornamental design for a net support, as shown and described.

DESCRIPTION

FIG. 1 is a side elevation of a net support of the present invention shown installed in the ground together with a separate ground-engaging stake and net pole, the portions shown in phantom being for illustrative purposes only and forming no part of my claimed design.

FIG. 2 is an enlarged scale side elevation view of the opposite side of the net support shown in FIG. 1.

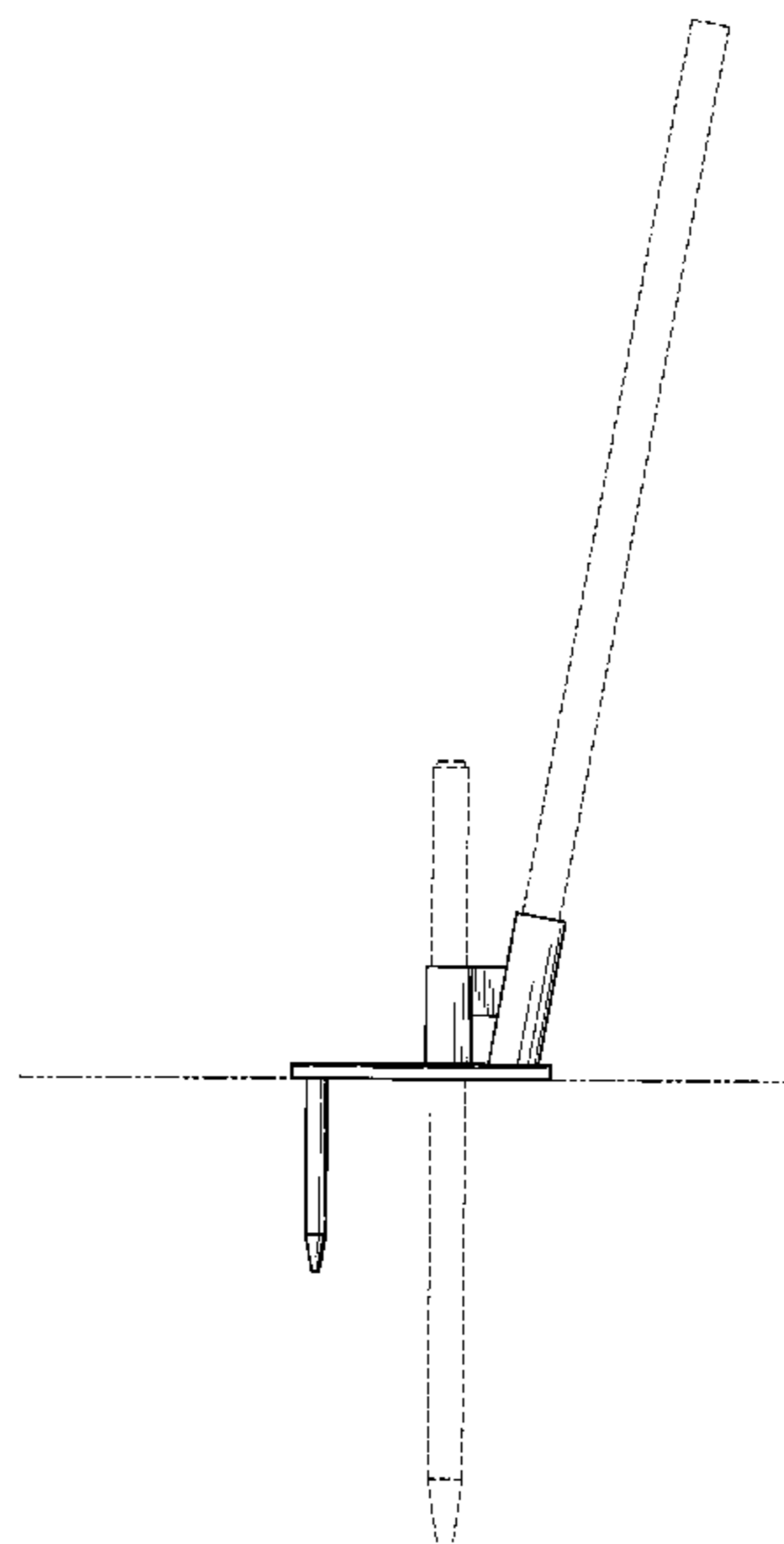
FIG. 3 is a bottom plan view of FIG. 2.

FIG. 4 is a top plan view of FIG. 2.

FIG. 5 is an end elevation view from the left side of FIG. 2; and,

FIG. 6 is an end elevation view from the right side of FIG. 2.

1 Claim, 4 Drawing Sheets



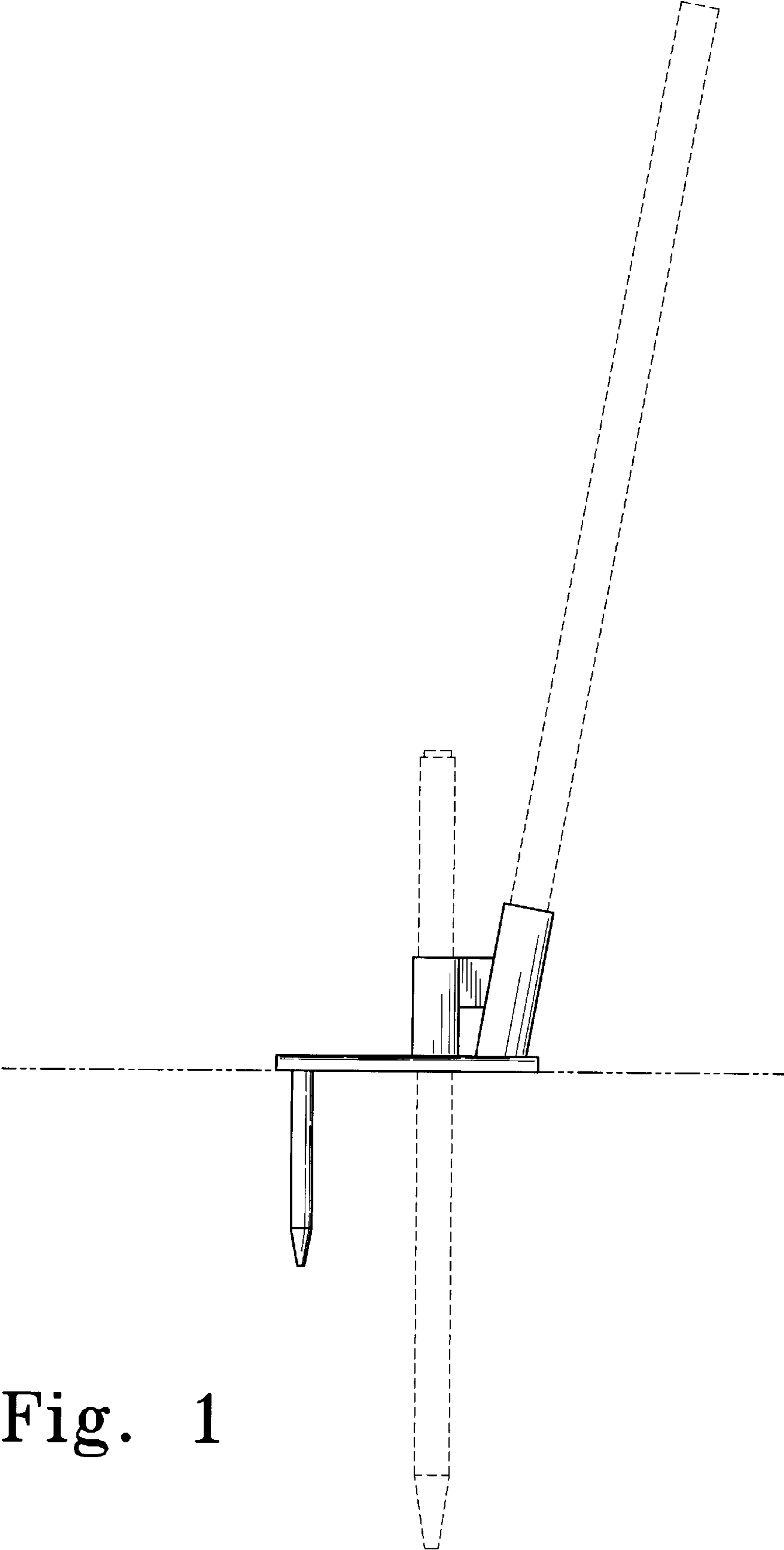


Fig. 1

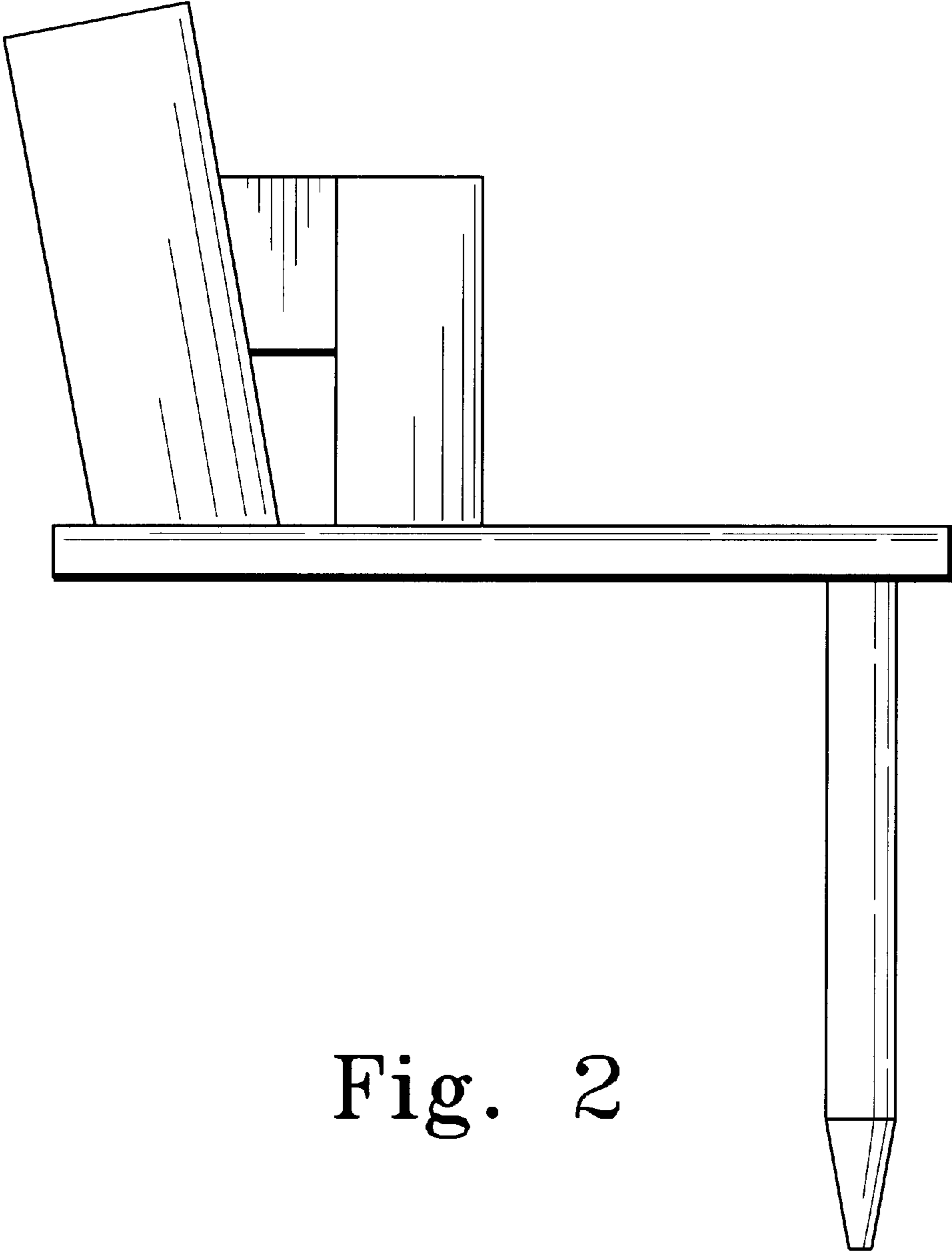


Fig. 2

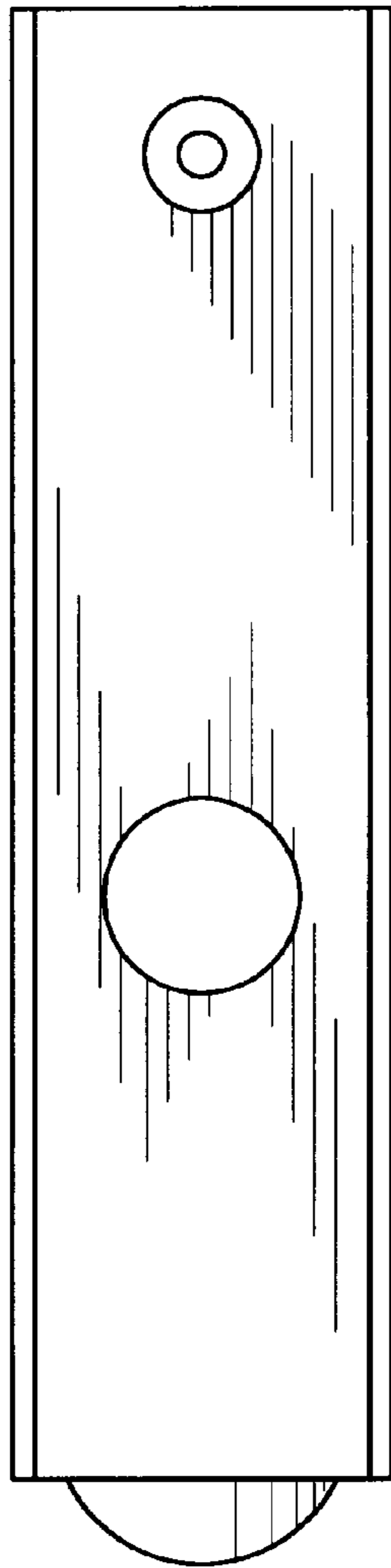


Fig. 3

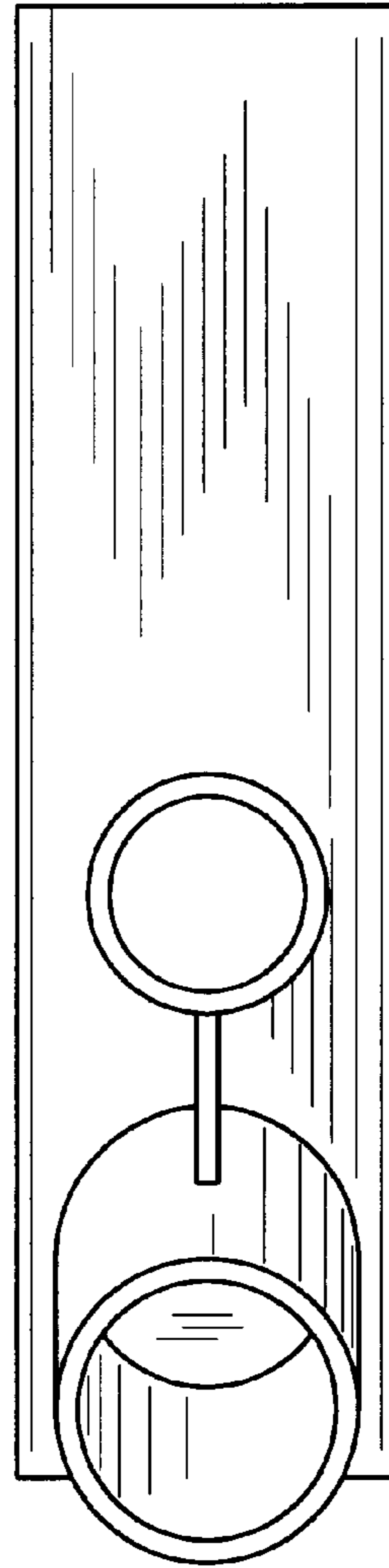


Fig. 4

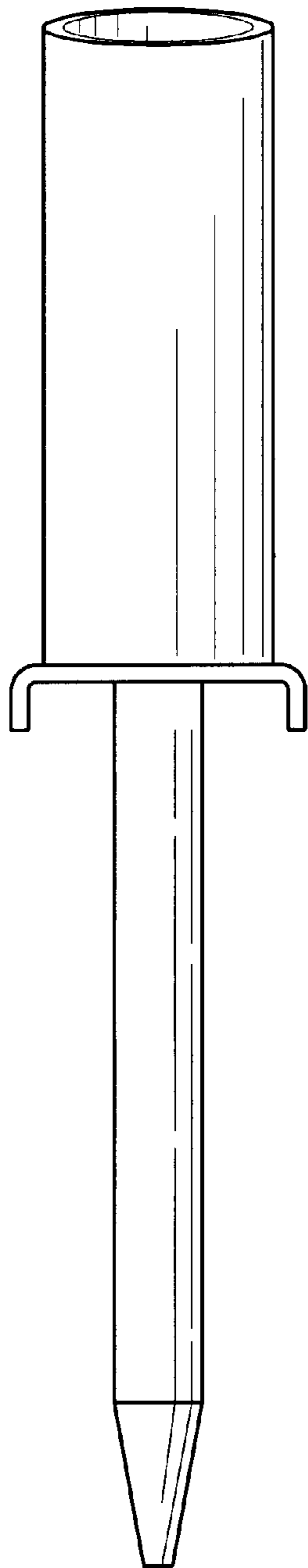


Fig. 5

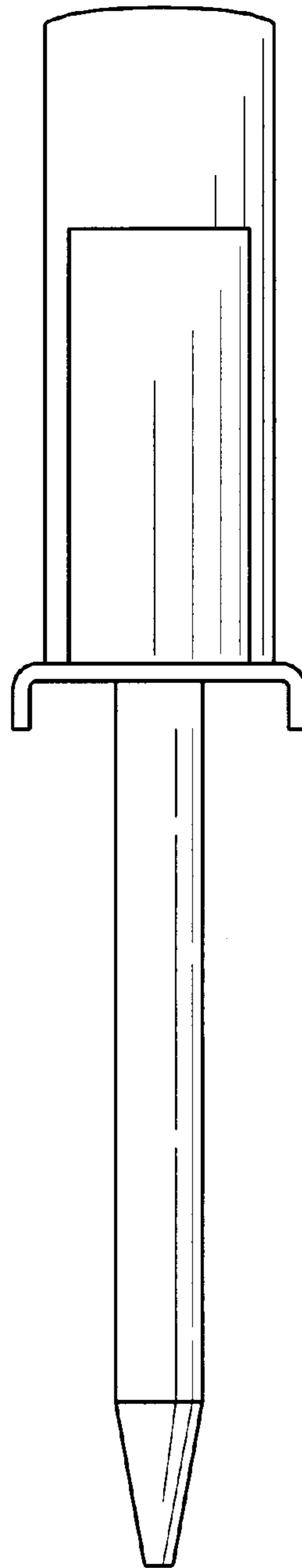


Fig. 6