



US00D514176S

(12) **United States Design Patent**  
**Giannelli et al.**

(10) **Patent No.:** **US D514,176 S**  
(45) **Date of Patent:** **\*\* Jan. 31, 2006**

(54) **EXERCISE DEVICE FOR CROSS TRAINING**

(75) Inventors: **Raymond Giannelli**, Franklin, MA (US); **Scott Lee**, Pomfret, CT (US)

(73) Assignee: **Cybox International, Inc.**, Medway, MA (US)

(\*\*) Term: **14 Years**

(21) Appl. No.: **29/202,526**

(22) Filed: **Mar. 31, 2004**

**Related U.S. Application Data**

(63) Continuation-in-part of application No. 10/294,017, filed on Nov. 13, 2002, and a continuation-in-part of application No. 29/164,348, filed on Jul. 23, 2002, now Pat. No. Des. 489,101, and a continuation-in-part of application No. 29/201,656, filed on Mar. 18, 2004, and a continuation-in-part of application No. 29/201,658, filed on Mar. 18, 2004.

(51) **LOC (8) Cl.** ..... **21-02**

(52) **U.S. Cl.** ..... **D21/694; D21/668**

(58) **Field of Classification Search** ..... D21/662, D21/663, 668, 669, 670, 694, 685; 482/51, 482/52, 54, 70, 72, 139, 146, 79; D6/499  
See application file for complete search history.

(56) **References Cited**

**U.S. PATENT DOCUMENTS**

D392,005 S \* 3/1998 Piaget ..... D21/668  
D392,006 S \* 3/1998 Dalebout et al. .... D21/668

D393,027 S \* 3/1998 Chen ..... D21/670  
D393,296 S \* 4/1998 Lee ..... D21/668  
D403,033 S \* 12/1998 Husted et al. .... D21/668  
D412,953 S \* 8/1999 Armstrong ..... D21/694  
5,971,892 A \* 10/1999 Lee ..... 482/52  
6,004,244 A \* 12/1999 Simonson ..... 482/52  
D476,046 S \* 6/2003 Wang et al. .... D21/694  
D478,365 S \* 8/2003 Giannelli et al. .... D21/668  
D489,101 S \* 4/2004 Giannelli et al. .... D21/668  
D493,201 S \* 7/2004 Giannelli et al. .... D21/668  
6,835,166 B1 \* 12/2004 Stearns et al. .... 482/52

\* cited by examiner

*Primary Examiner*—Philip S. Hyder

(74) *Attorney, Agent, or Firm*—M. Lawrence Oliverio; Kudirka & Jobse, LLP

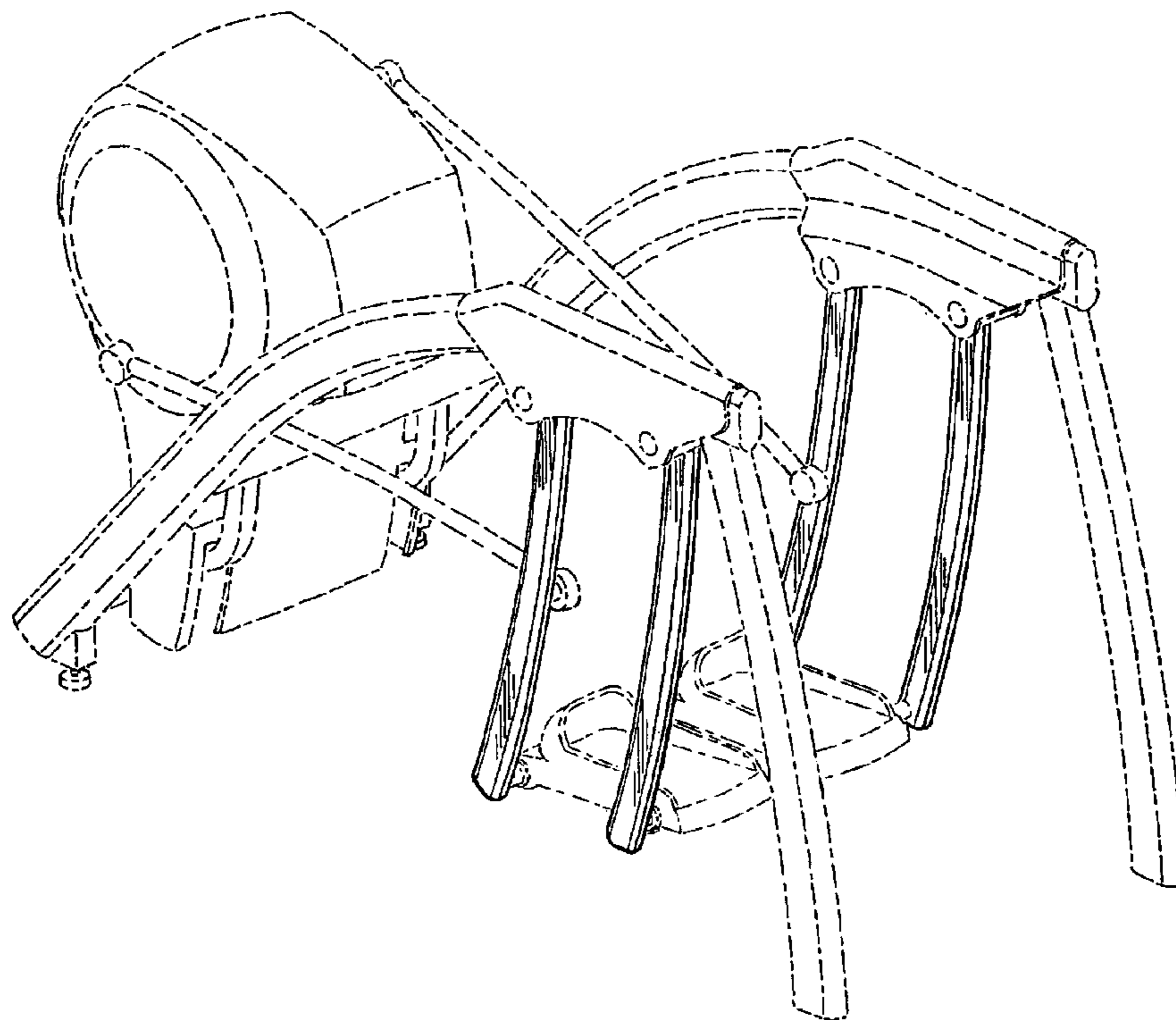
(57) **CLAIM**

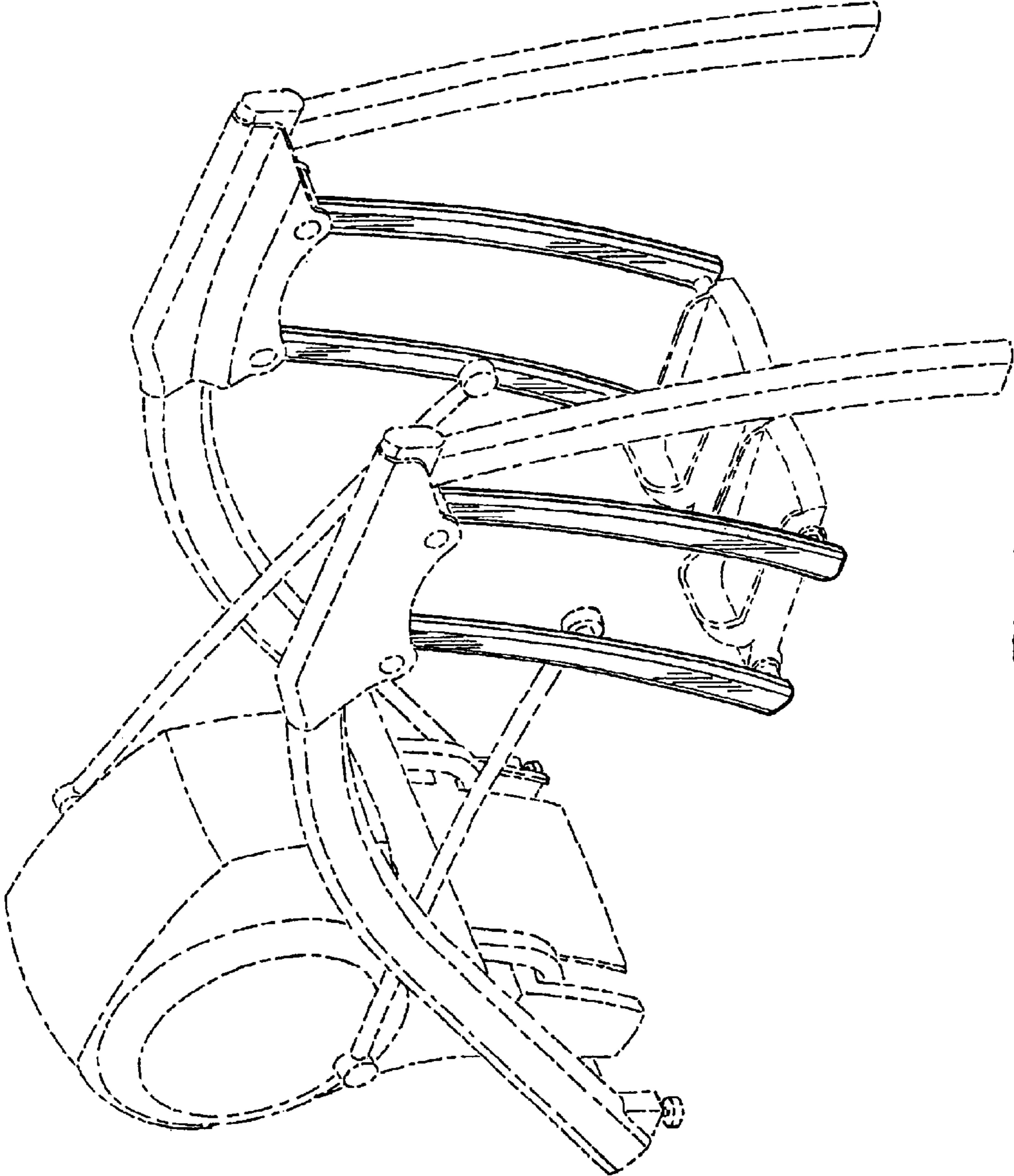
We claim the ornamental design for the exercise device for cross training, as shown.

**DESCRIPTION**

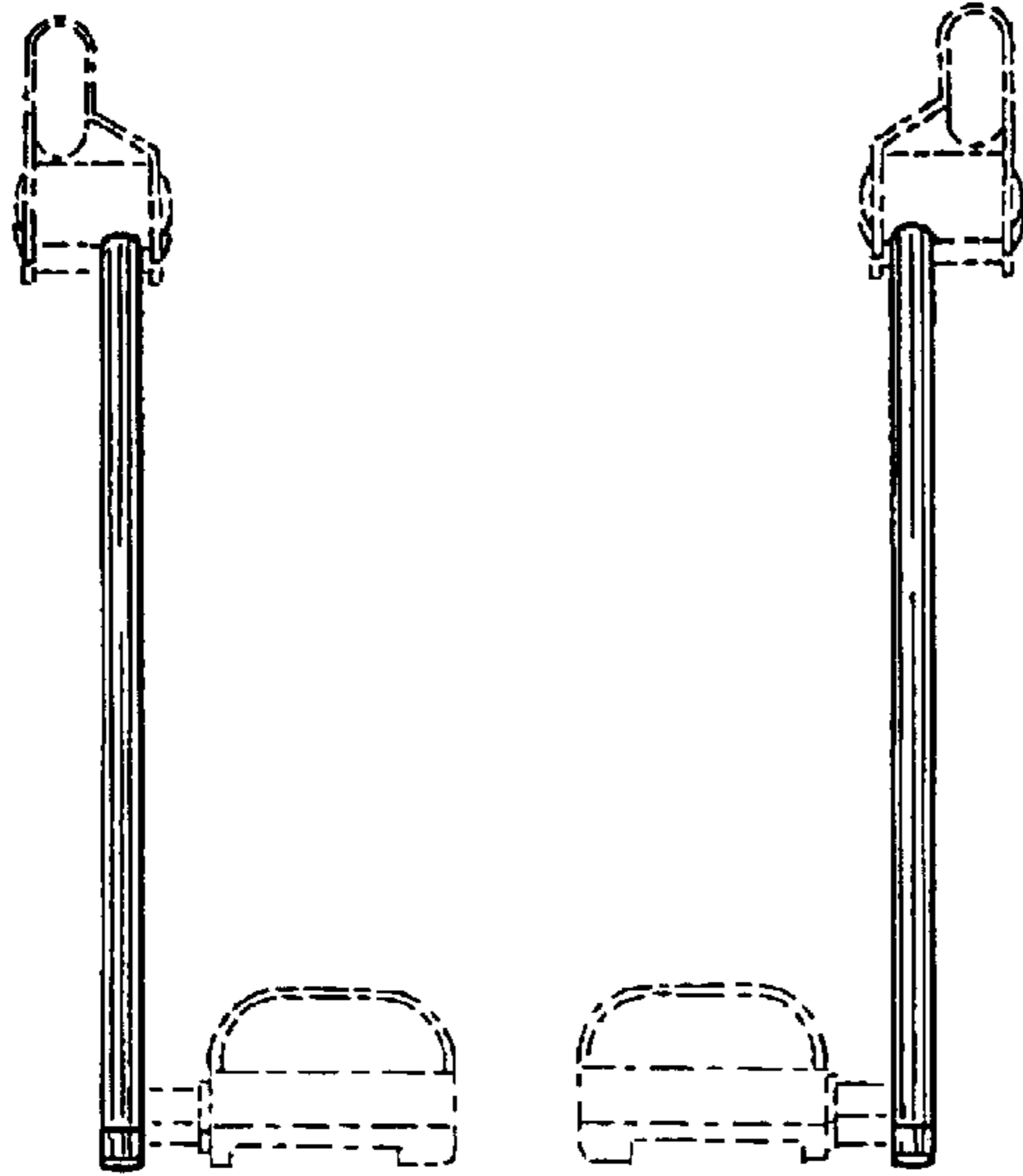
FIG. 1 is a top, front left side perspective view.  
FIG. 2 is a front elevational view.  
FIG. 3 is a right side elevational view, the left side elevational view being a mirror image thereof.  
FIG. 4 is a rear elevational view; and,  
FIG. 5 is a top plan view.  
The broken line portions of the disclosure are for illustrative purposes only and form no part of the claimed design.

**1 Claim, 2 Drawing Sheets**

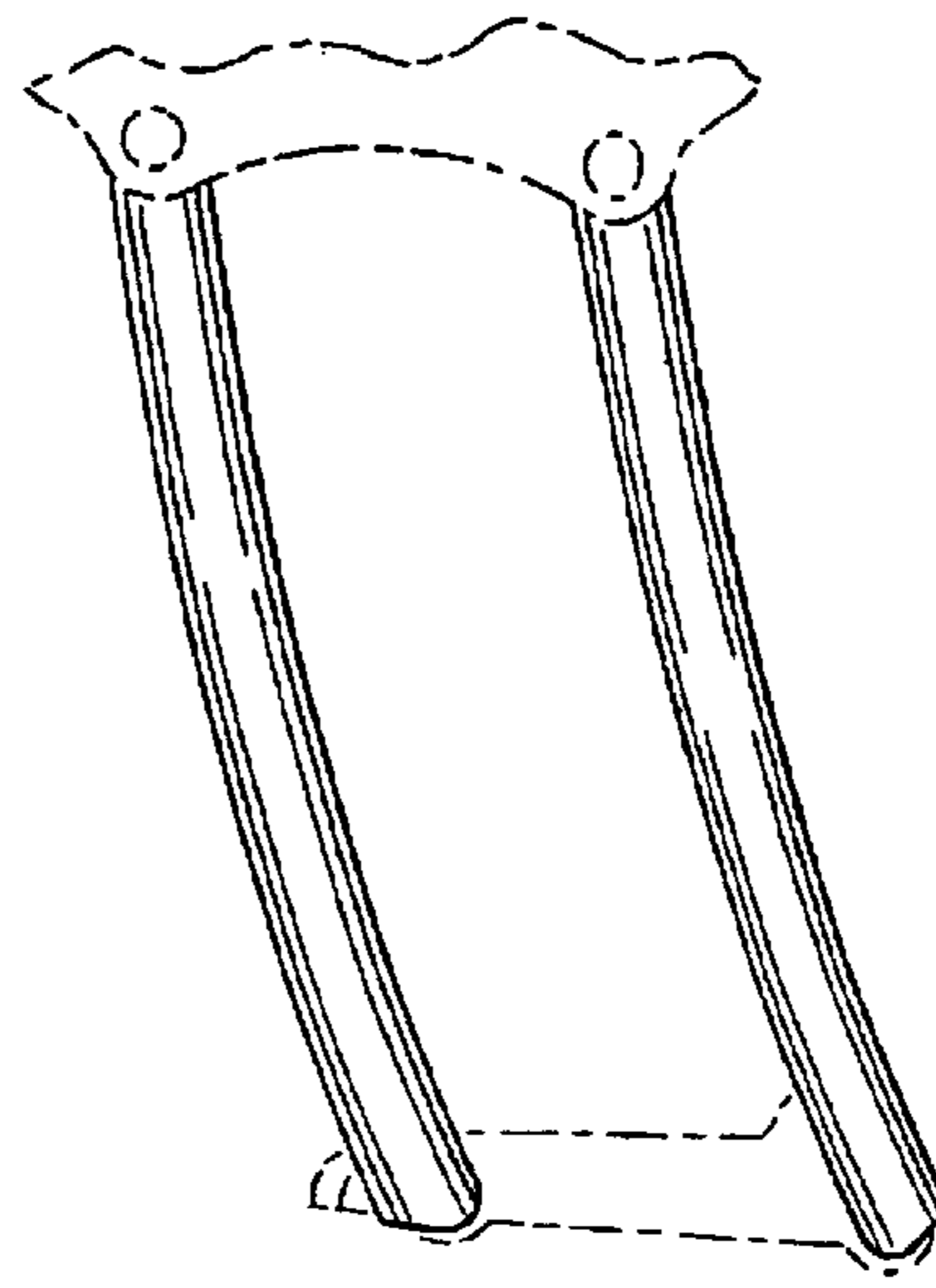




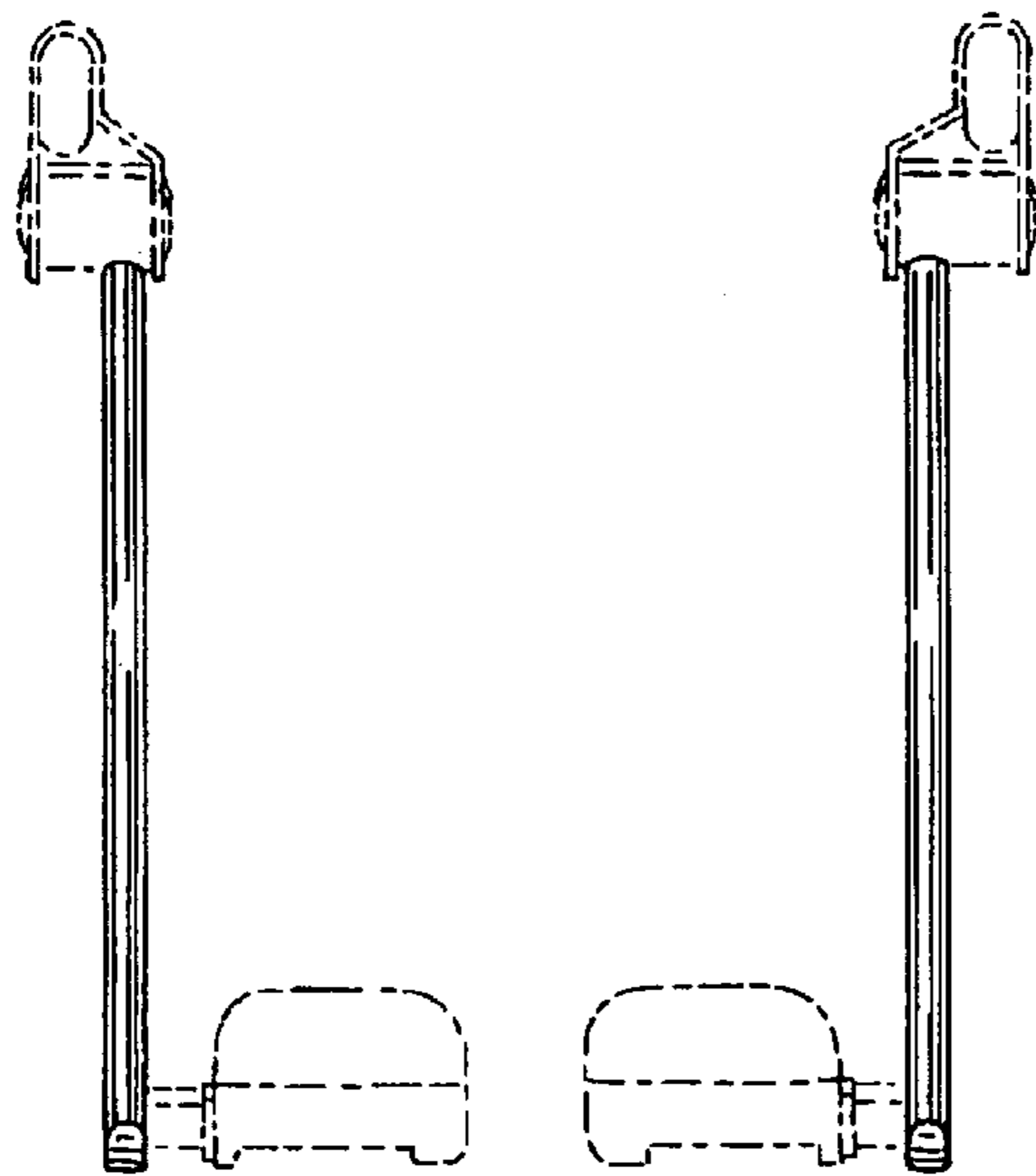
*Fig. 1*



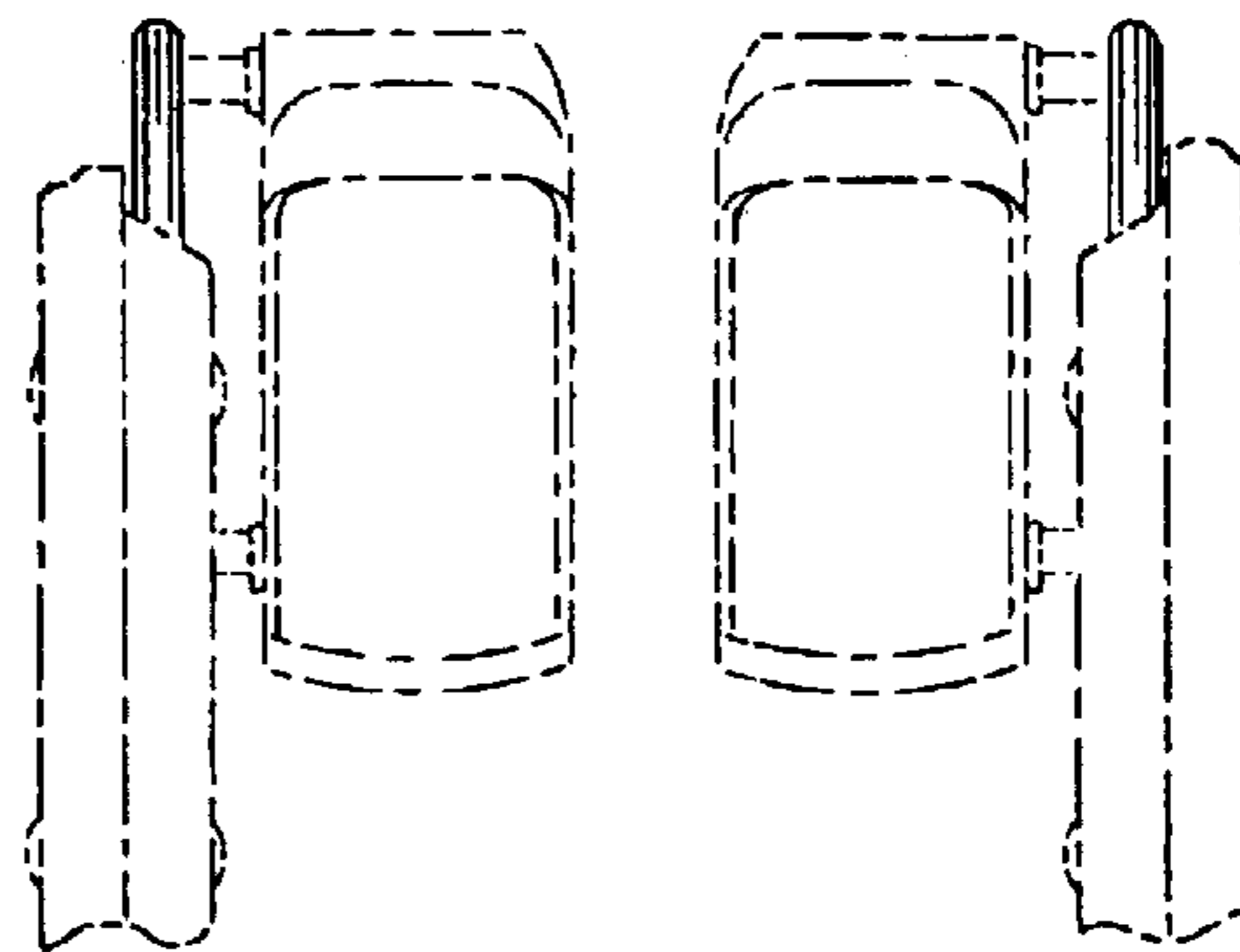
*Fig. 2*



*Fig. 3*



*Fig. 4*



*Fig. 5*