



US00D514175S

(12) **United States Design Patent**  
**Sugiyama et al.**

(10) **Patent No.: US D514,175 S**  
(45) **Date of Patent: \*\* Jan. 31, 2006**

(54) **STRETCHING EXERCISE DEVICE**

(75) Inventors: **Toshihide Sugiyama**, Shizuoka (JP);  
**Shuzo Ishihara**, Shizuoka (JP)

(73) Assignee: **Skylite Corporation Kabushiki Kaisha**, Shizuoka (JP)

(\*\*) Term: **14 Years**

(21) Appl. No.: **29/198,508**

(22) Filed: **Feb. 2, 2004**

(51) **LOC (8) Cl.** ..... **21-02**

(52) **U.S. Cl.** ..... **D21/685; D21/688**

(58) **Field of Classification Search** ..... D21/662,  
D21/685, 687, 688, 689; 482/51, 52, 78,  
482/79, 907; D6/349

See application file for complete search history.

(56) **References Cited**

**U.S. PATENT DOCUMENTS**

D251,313 S	*	3/1979	Jinotti	.....	D21/685
4,693,470 A	*	9/1987	Ogawa	.....	482/79
5,304,106 A	*	4/1994	Gresko	.....	482/53
D348,708 S	*	7/1994	Chen	.....	D21/670
D383,813 S	*	9/1997	Zoller	.....	D21/685
5,765,921 A	*	6/1998	Chuang	.....	297/423.46
5,984,841 A	*	11/1999	John	.....	482/79
6,244,992 B1	*	6/2001	James	.....	482/79
D461,211 S	*	8/2002	Kuo	.....	D21/670
D465,001 S	*	10/2002	Chiang-Chow	.....	D21/670
D473,272 S	*	4/2003	Heins	.....	D21/685
D481,085 S	*	10/2003	Ben-Moshe	.....	D21/670

\* cited by examiner

*Primary Examiner*—Philip S. Hyder

(74) *Attorney, Agent, or Firm*—McGinn & Gibb, PLLC

(57) **CLAIM**

The ornamental design for a stretching exercise device, as shown and described.

**DESCRIPTION**

FIG. 1 is a front view of a stretching exercise device showing our new design;

FIG. 2 is a rear elevational view thereof;

FIG. 3 is a top plan view thereof;

FIG. 4 is a bottom view thereof;

FIG. 5 is a right side elevational view thereof;

FIG. 6 is a left side elevational view thereof;

FIG. 7 is a right side elevational view thereof in which the device has been inclined;

FIG. 8 is a cross section view taken along line 8—8 of FIG. 1;

FIG. 9 is a cross section view taken along line 9—9 of FIG. 7;

FIG. 10 is a perspective view thereof;

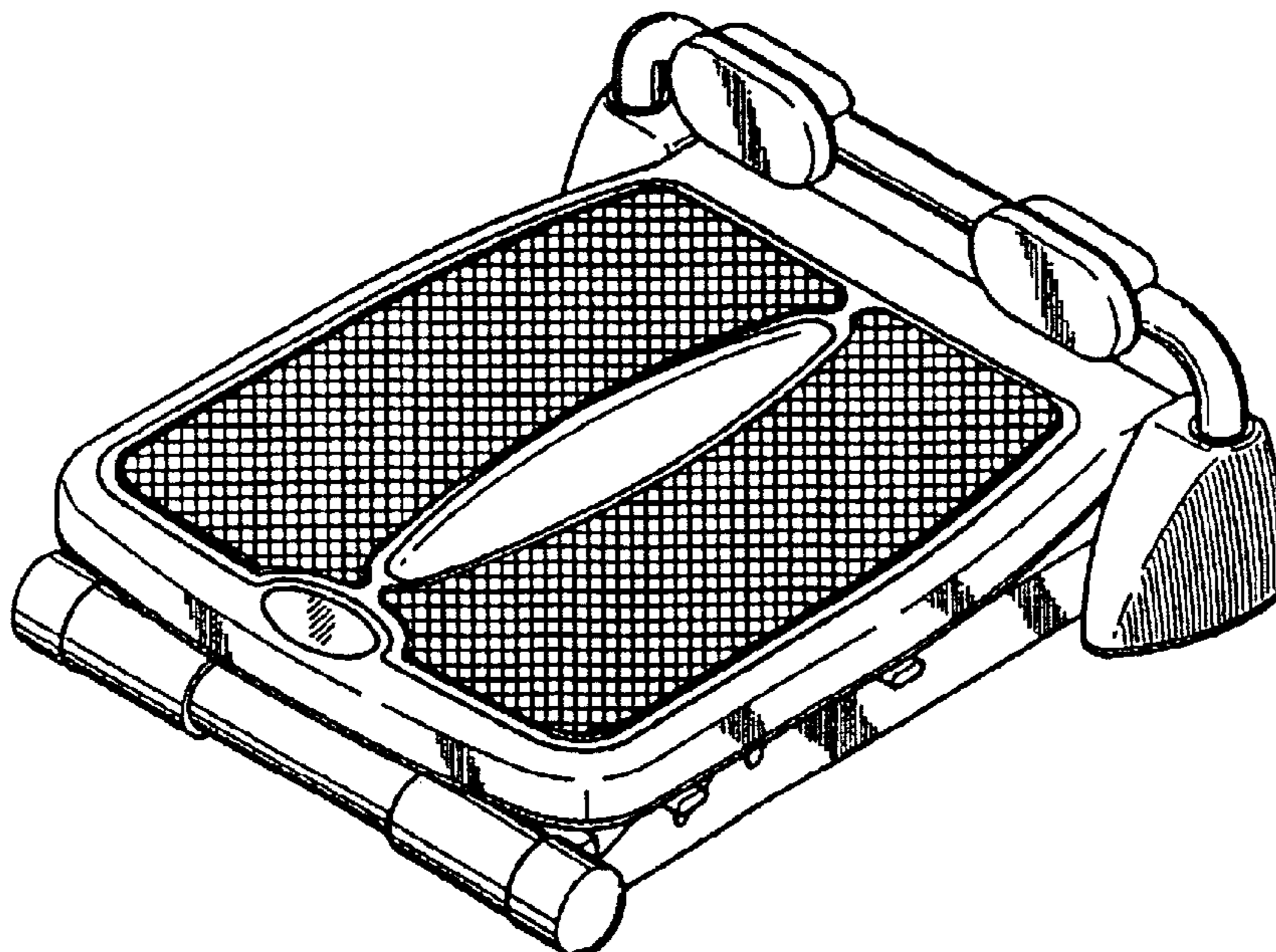
FIG. 11 is a front view showing a first using state thereof;

FIG. 12 is a right side elevational view showing the first using state thereof;

FIG. 13 is a front view showing a second using state thereof; and,

FIG. 14 is a right side elevational view showing the second using state thereof.

**1 Claim, 7 Drawing Sheets**



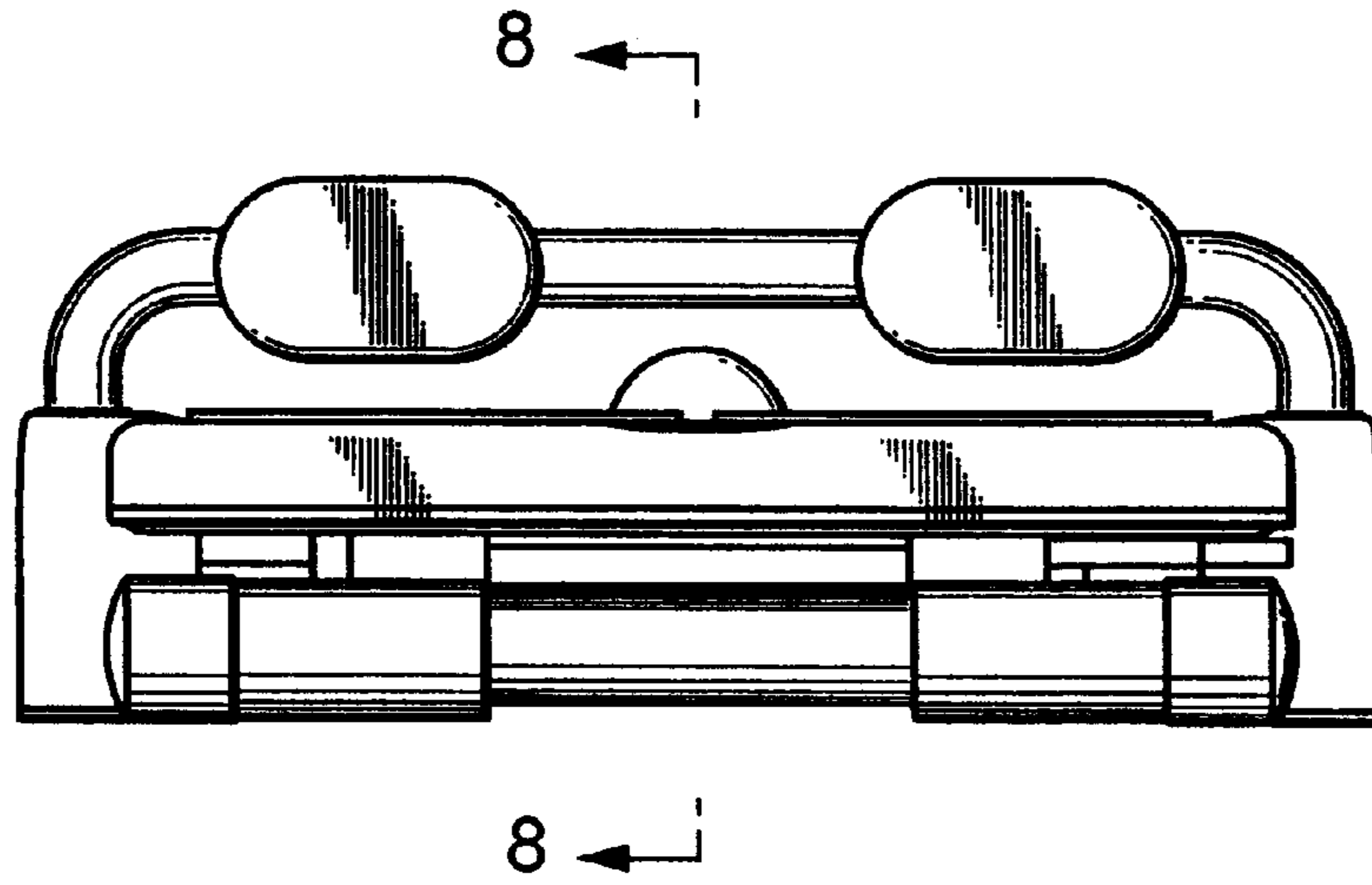


FIG. 1

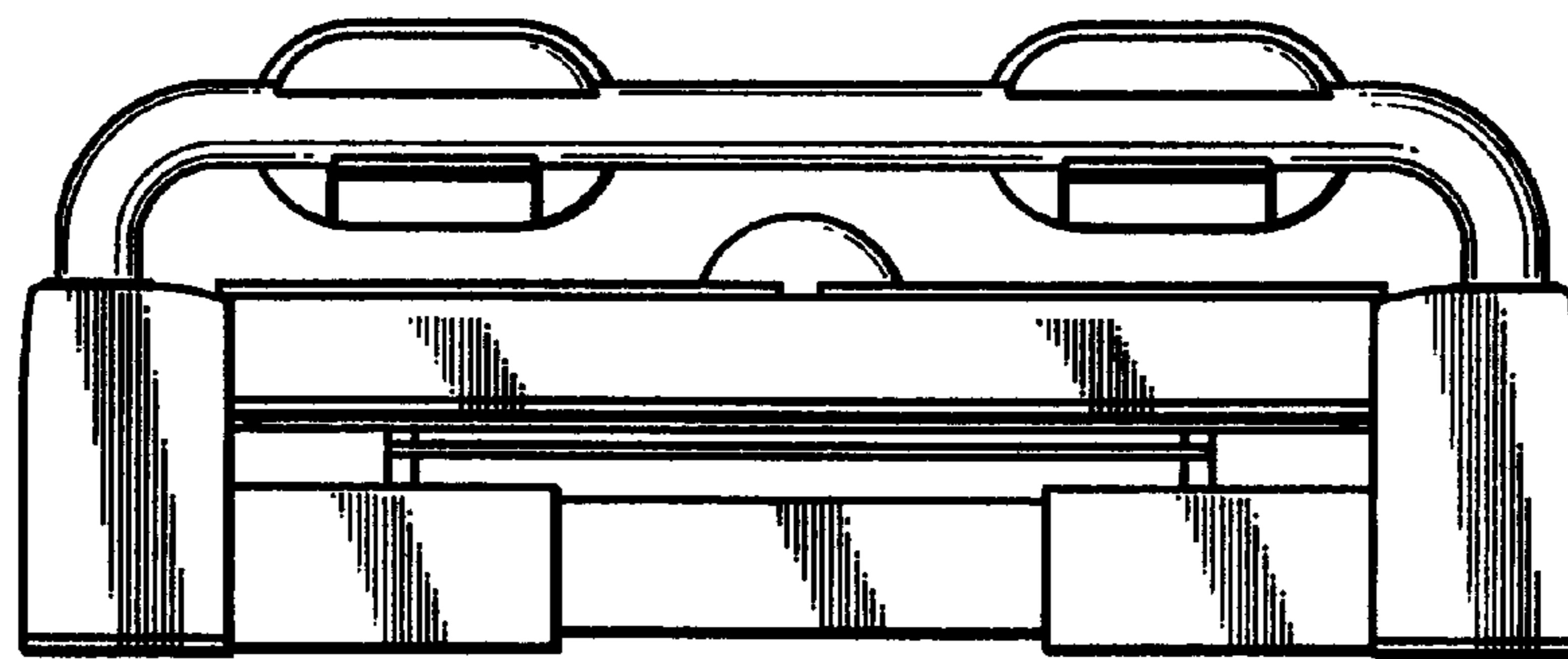


FIG. 2

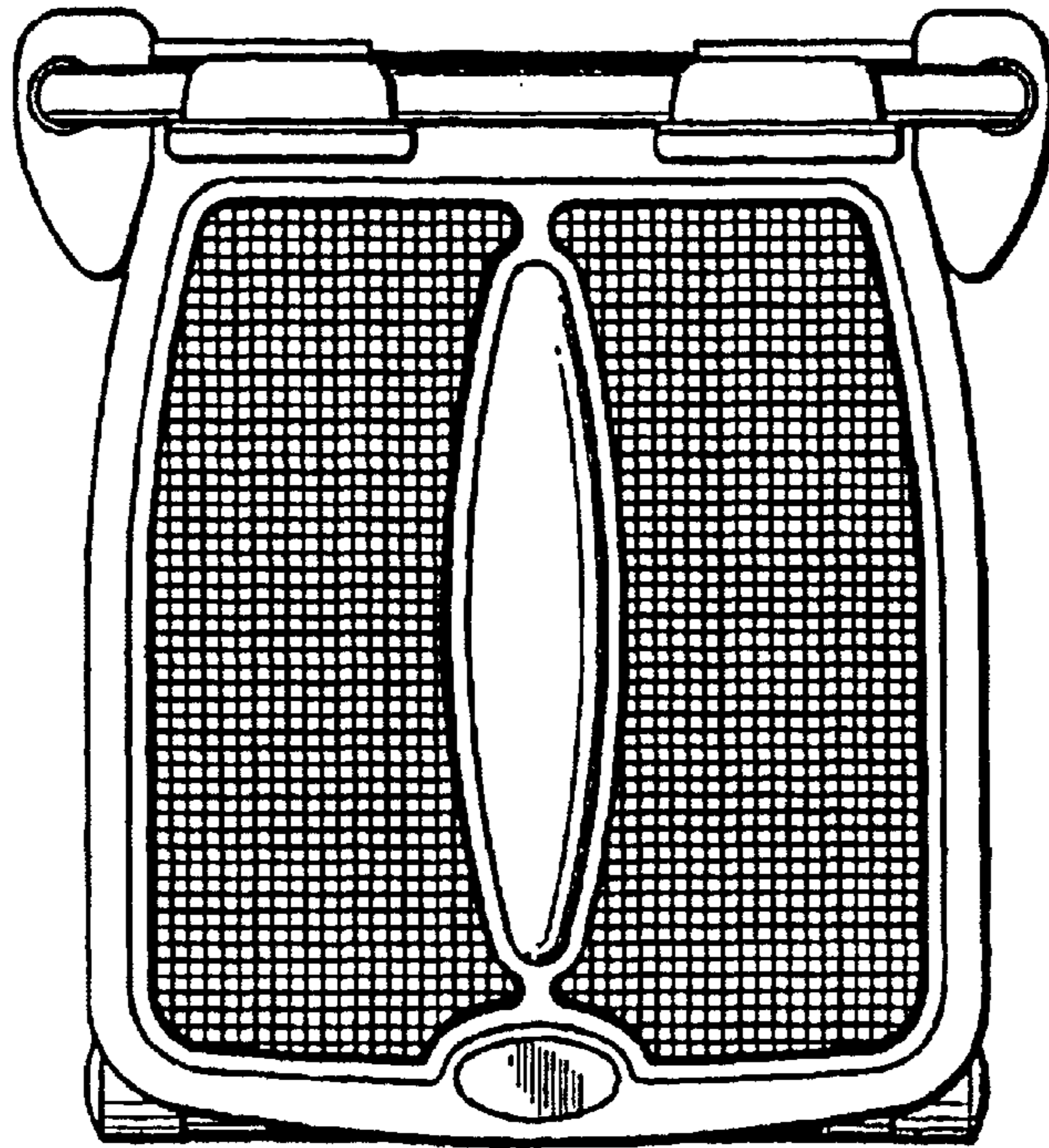


FIG. 3

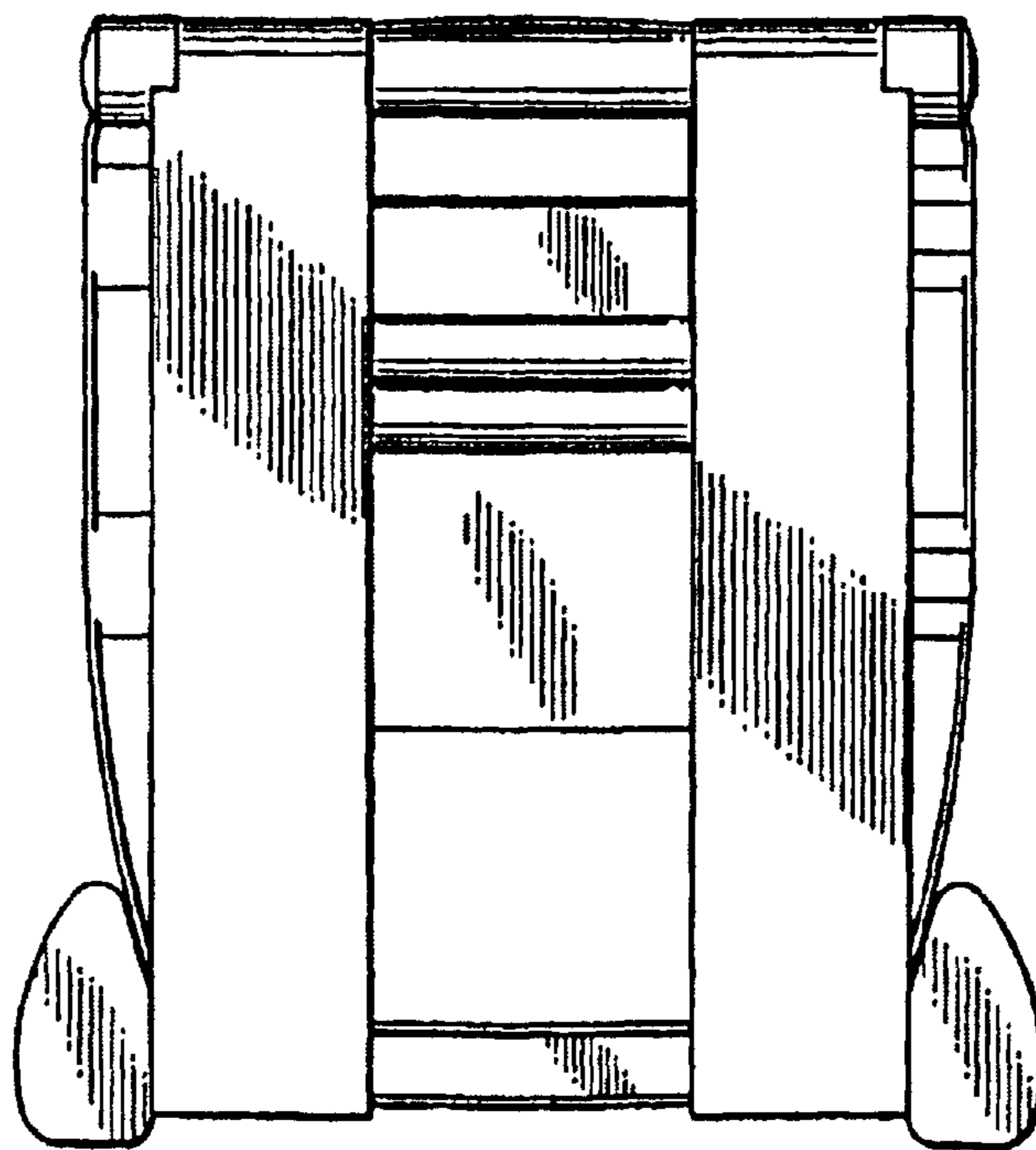


FIG. 4

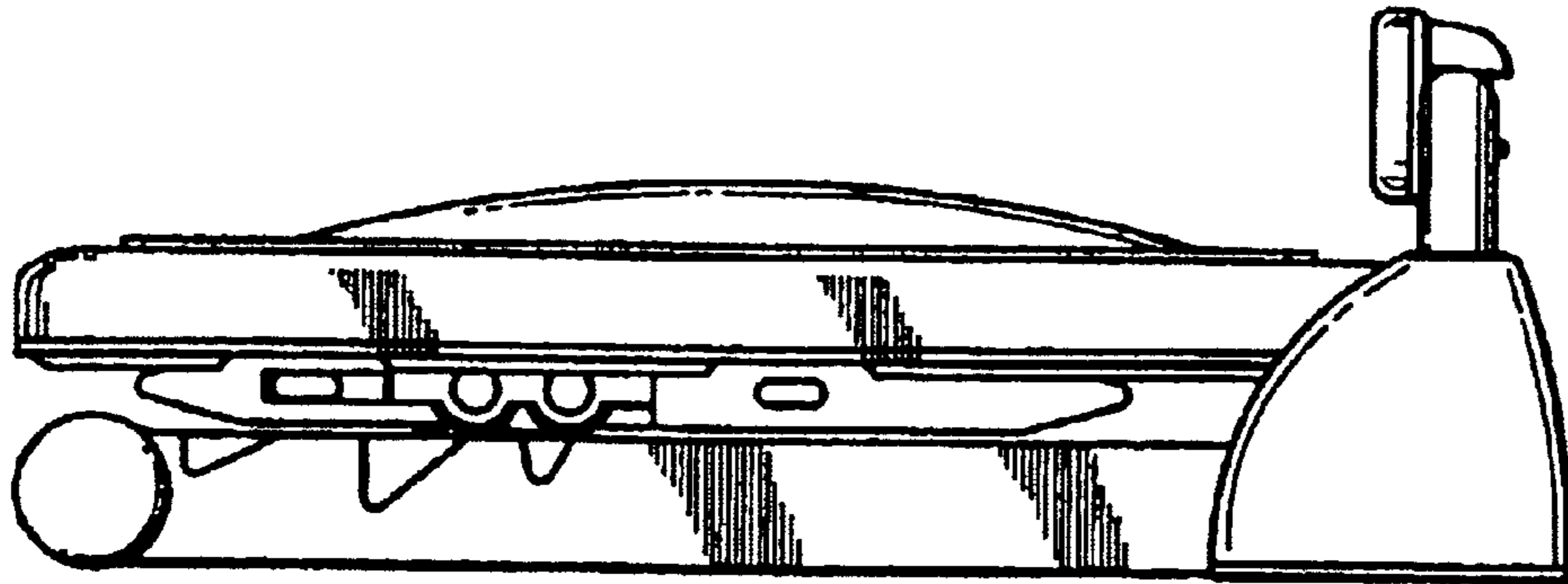


FIG. 5

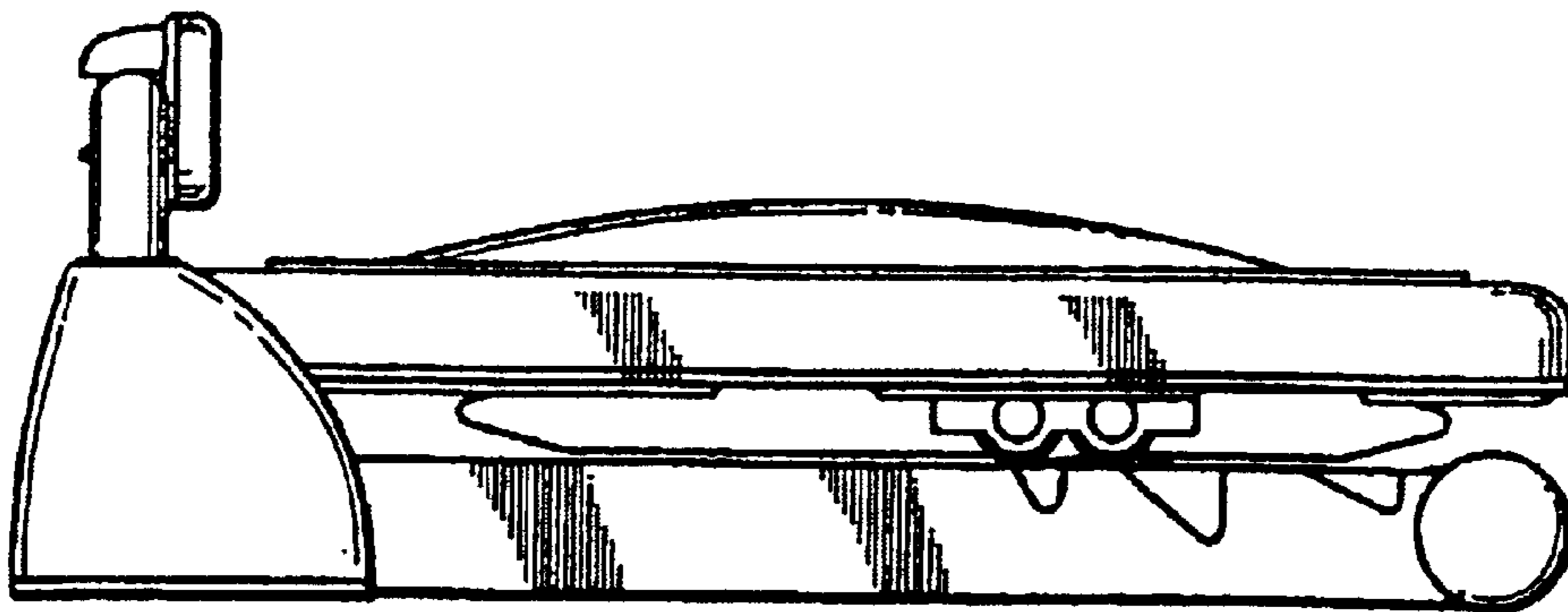


FIG. 6



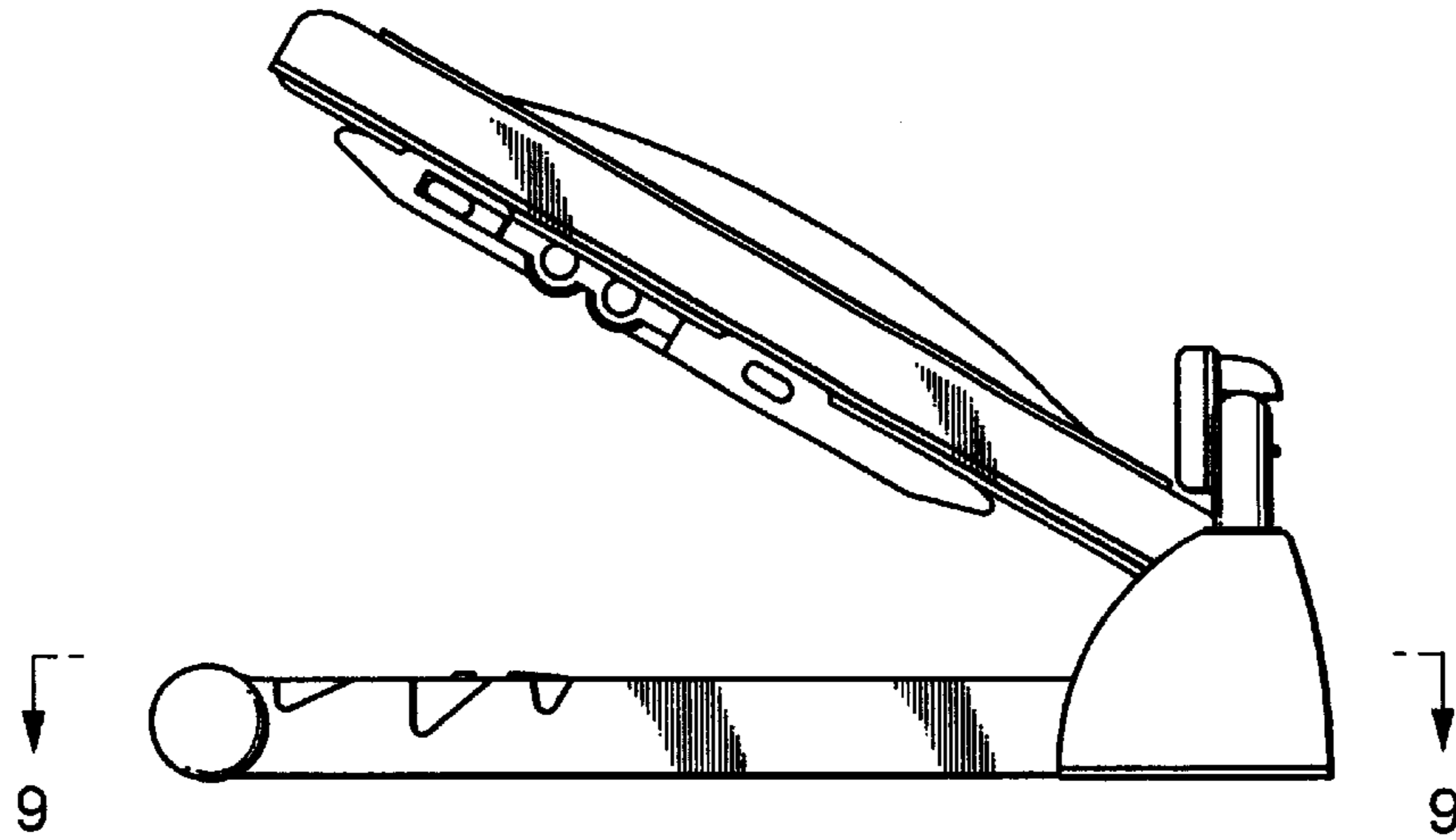


FIG. 7

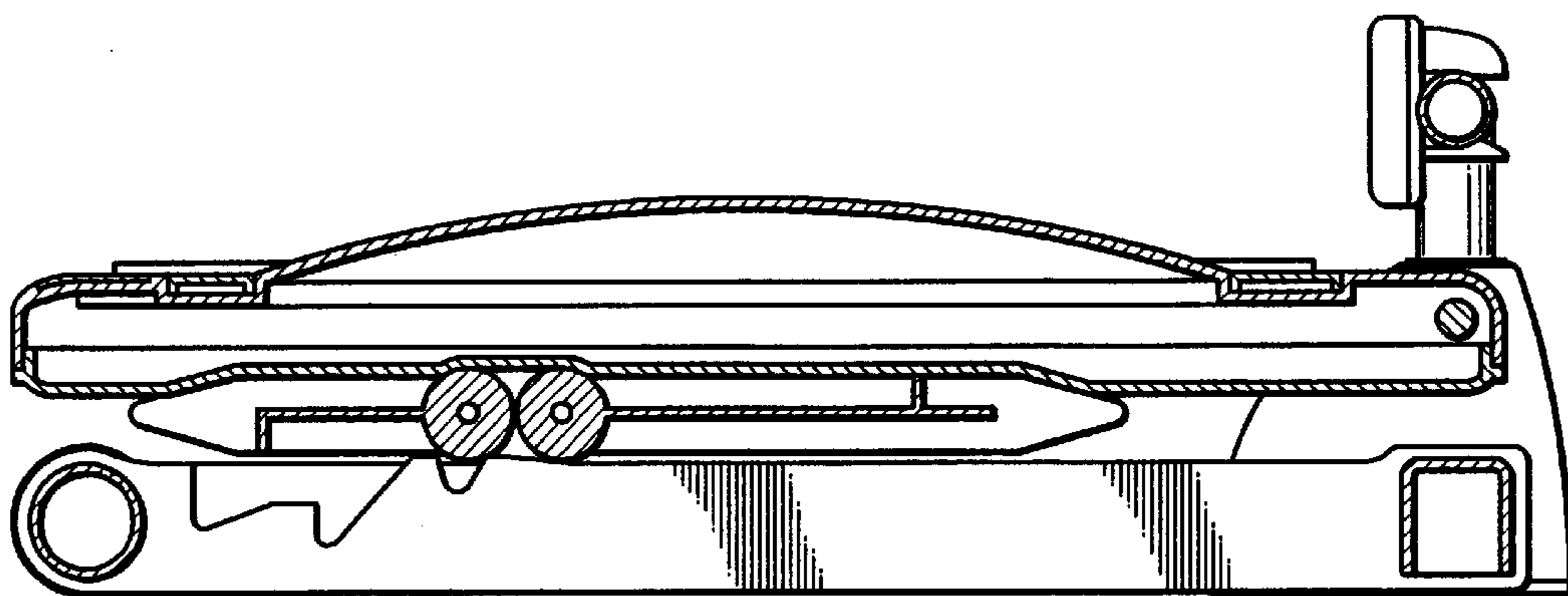


FIG. 8

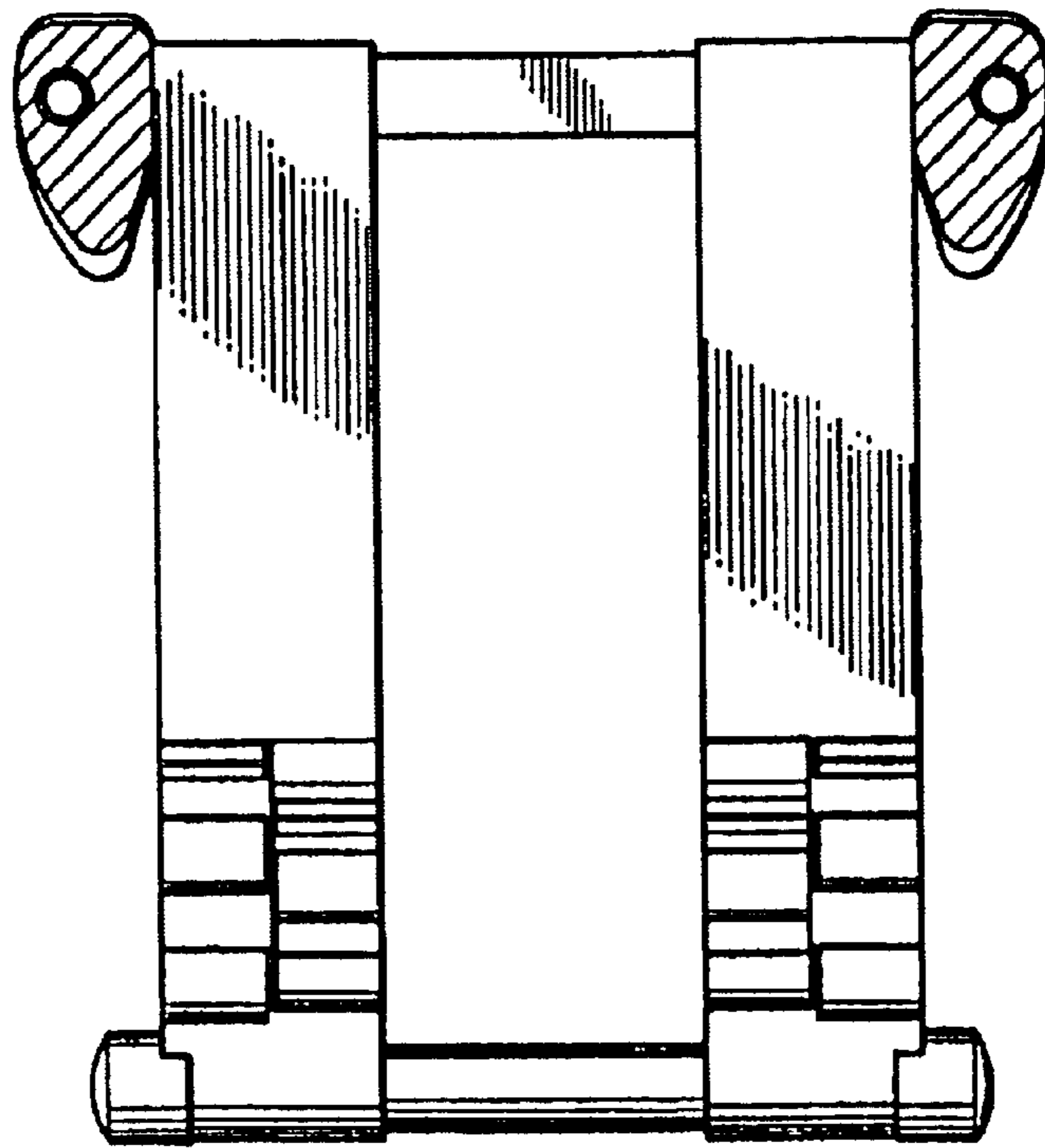


FIG. 9

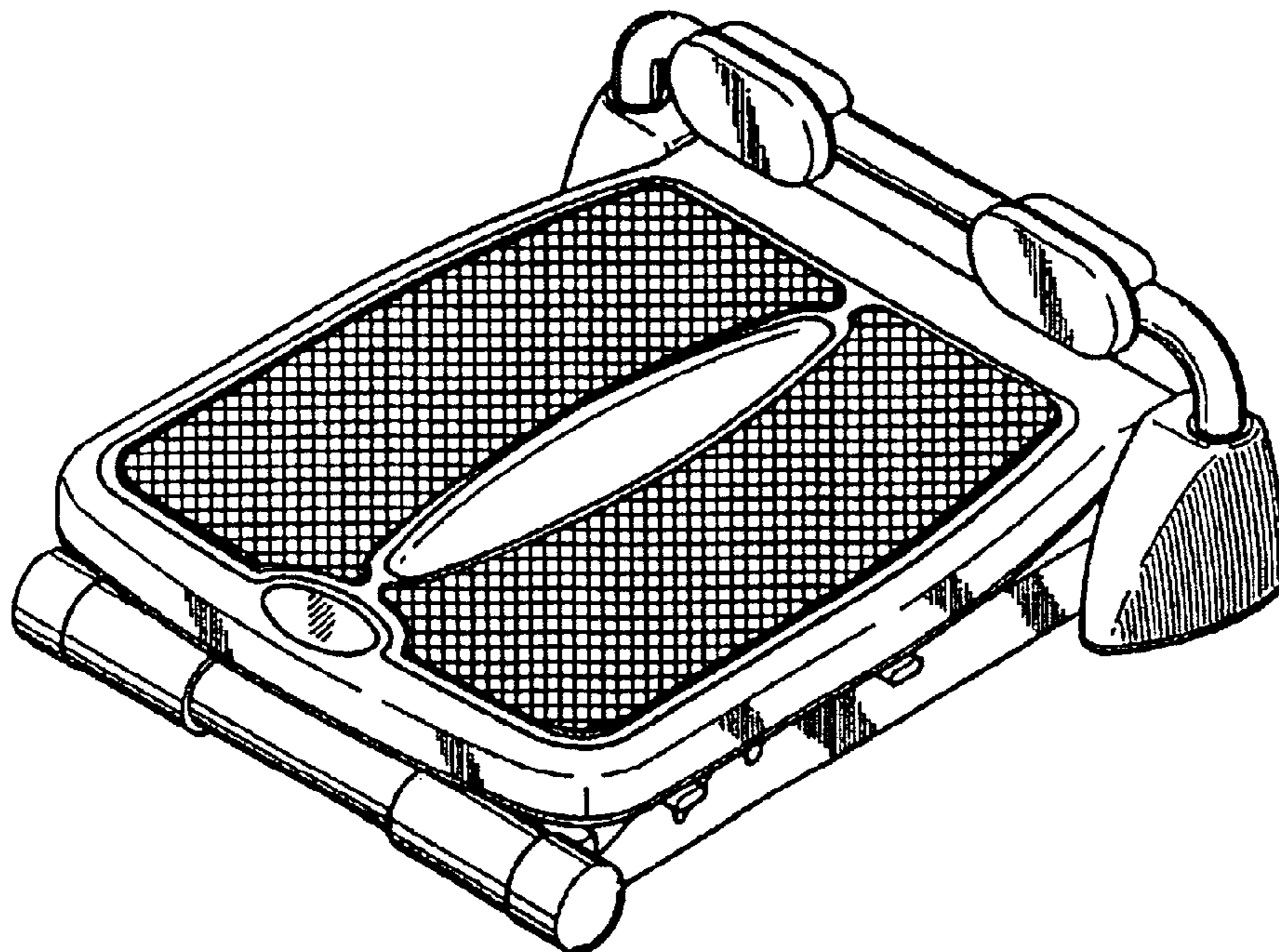


FIG. 10

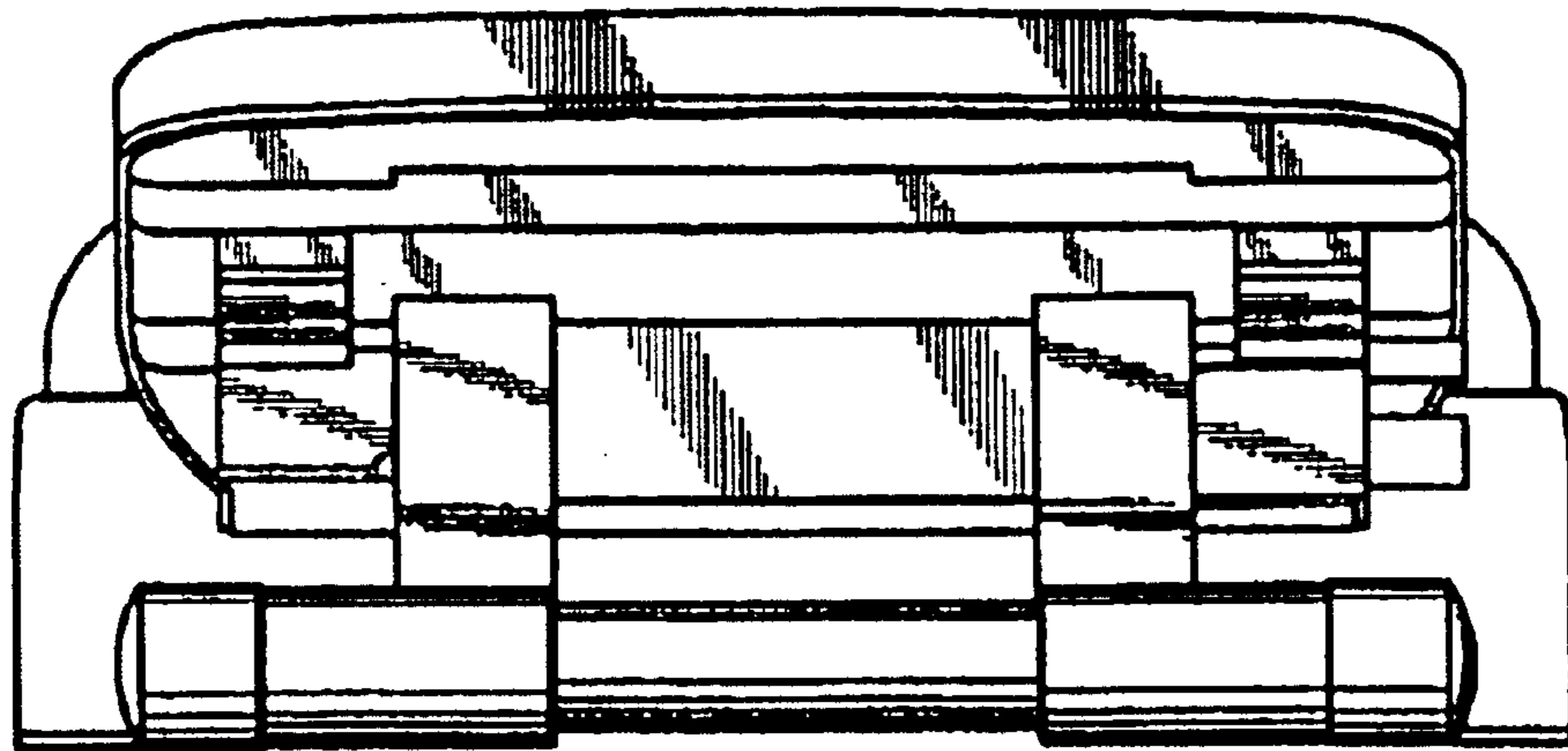


FIG. 11

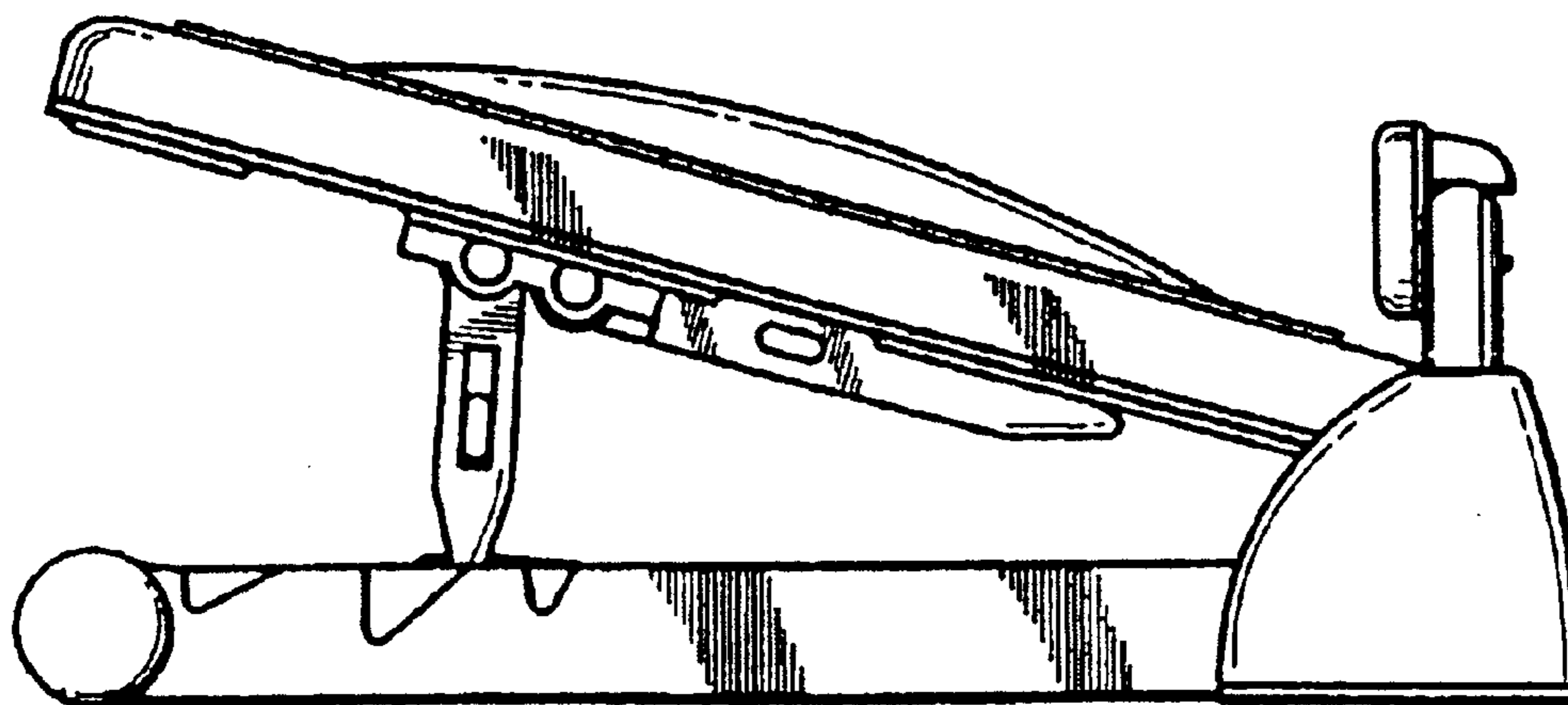


FIG. 12

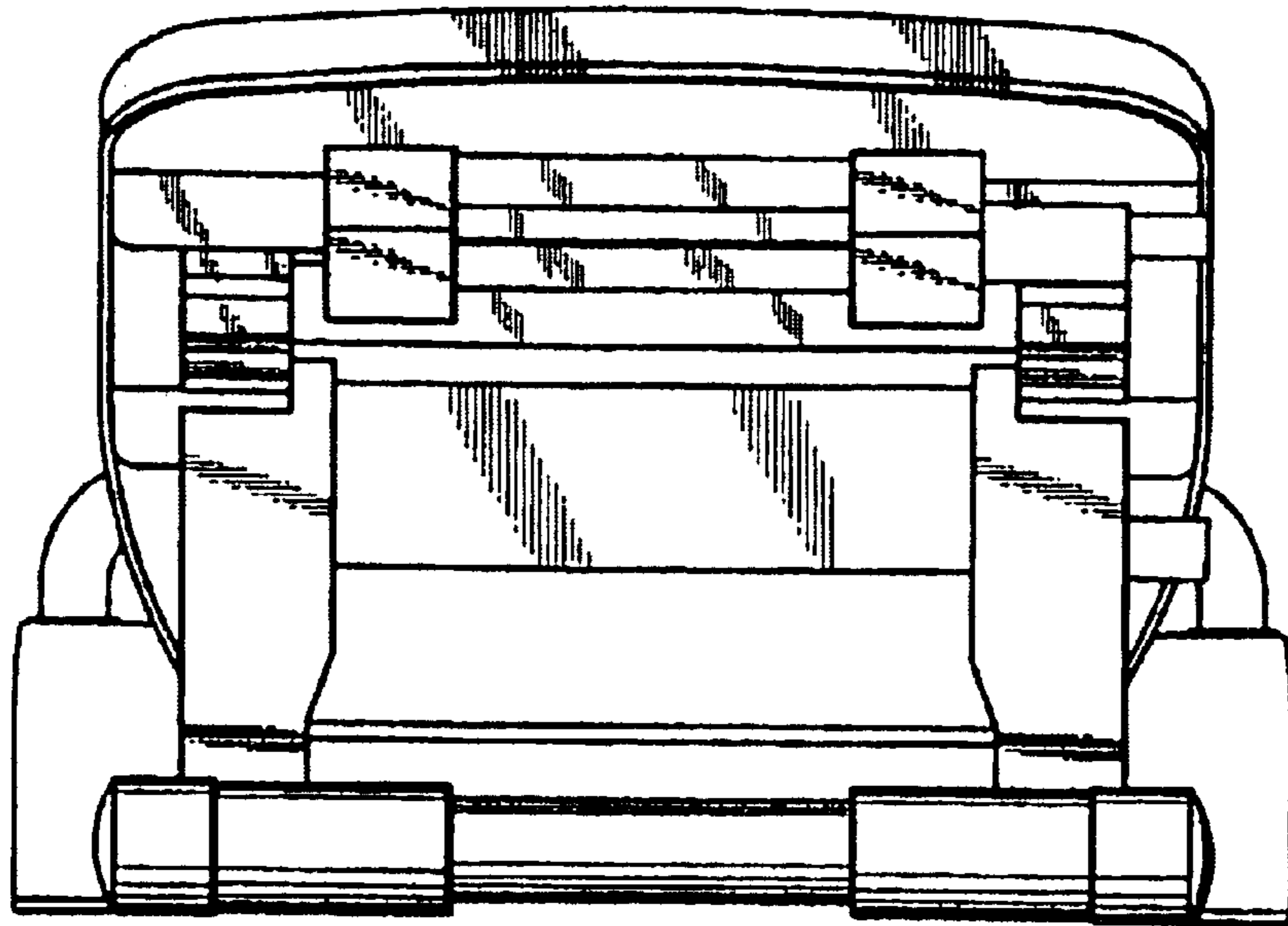


FIG. 13

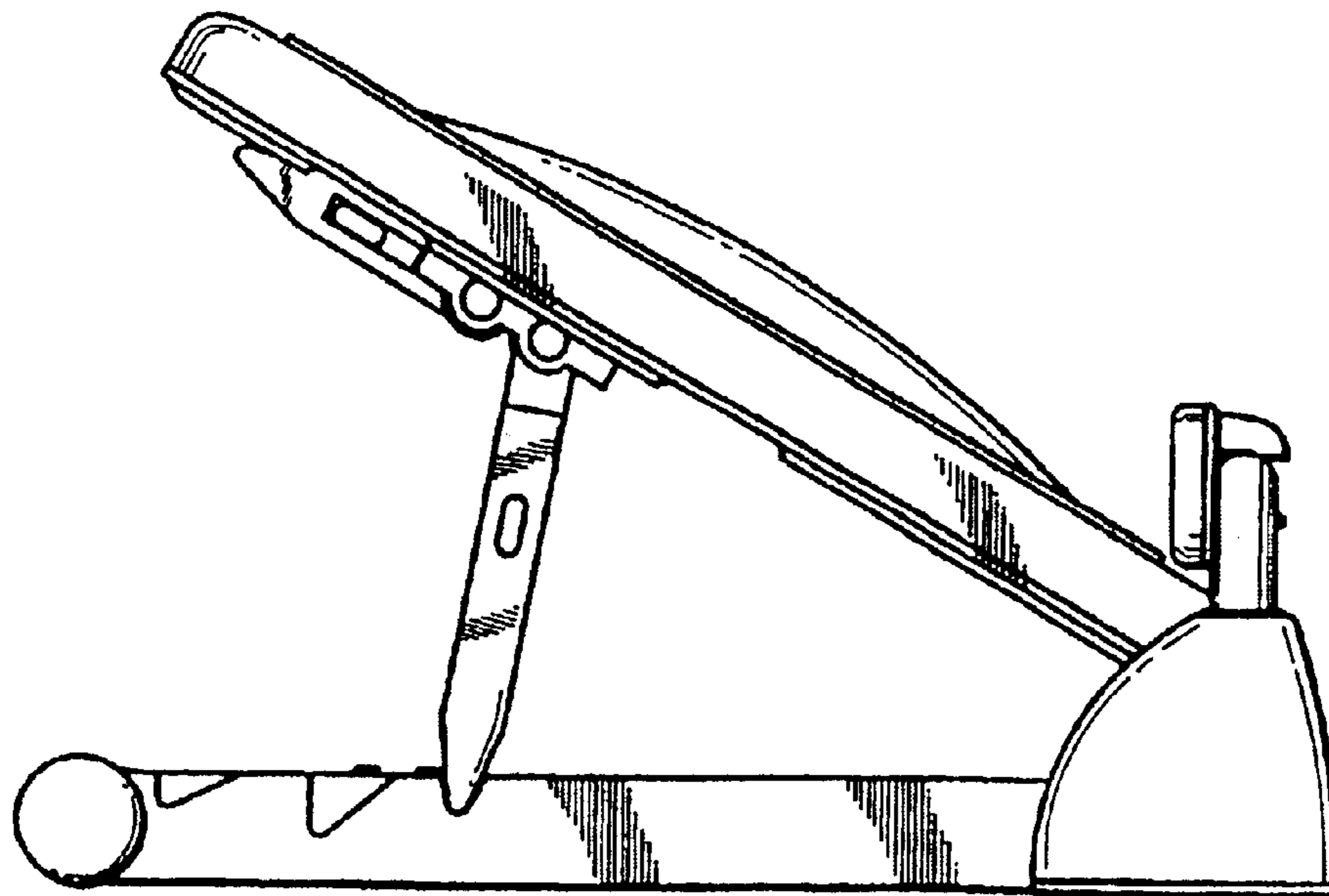


FIG. 14