



US00D514174S

(12) **United States Design Patent**
Germantown

(10) **Patent No.: US D514,174 S**
(45) **Date of Patent: ** Jan. 31, 2006**

(54) **EXERCISE MACHINE**

(76) **Inventor: Kyle Germantown**, 7 Fieldstone Dr.,
Kinneton, NJ (US) 07405

(**) **Term: 14 Years**

(21) **Appl. No.: 29/207,945**

(22) **Filed: Jun. 21, 2004**

(51) **LOC (8) Cl. 21-02**

(52) **U.S. Cl. D21/676; D21/675**

(58) **Field of Classification Search** D21/662,
D21/673, 674, 675, 676, 686; 482/93, 94,
482/97, 98, 100, 133, 134, 135, 138, 101
See application file for complete search history.

(56) **References Cited**

U.S. PATENT DOCUMENTS

D353,423 S	*	12/1994	Chen	D21/676
D357,957 S	*	5/1995	Hung	D21/676
D367,900 S	*	3/1996	Hu	D21/676
D439,941 S	*	4/2001	Batca et al.	D21/676

D440,611 S	*	4/2001	Batca et al.	D21/676
D444,190 S	*	6/2001	Webber	D21/675
D457,580 S	*	5/2002	Webber	D21/675
D487,294 S	*	3/2004	Gvoich	D21/676

* cited by examiner

Primary Examiner—Philip S. Hyder

(74) *Attorney, Agent, or Firm*—Gottlieb Rackman &
Reisman

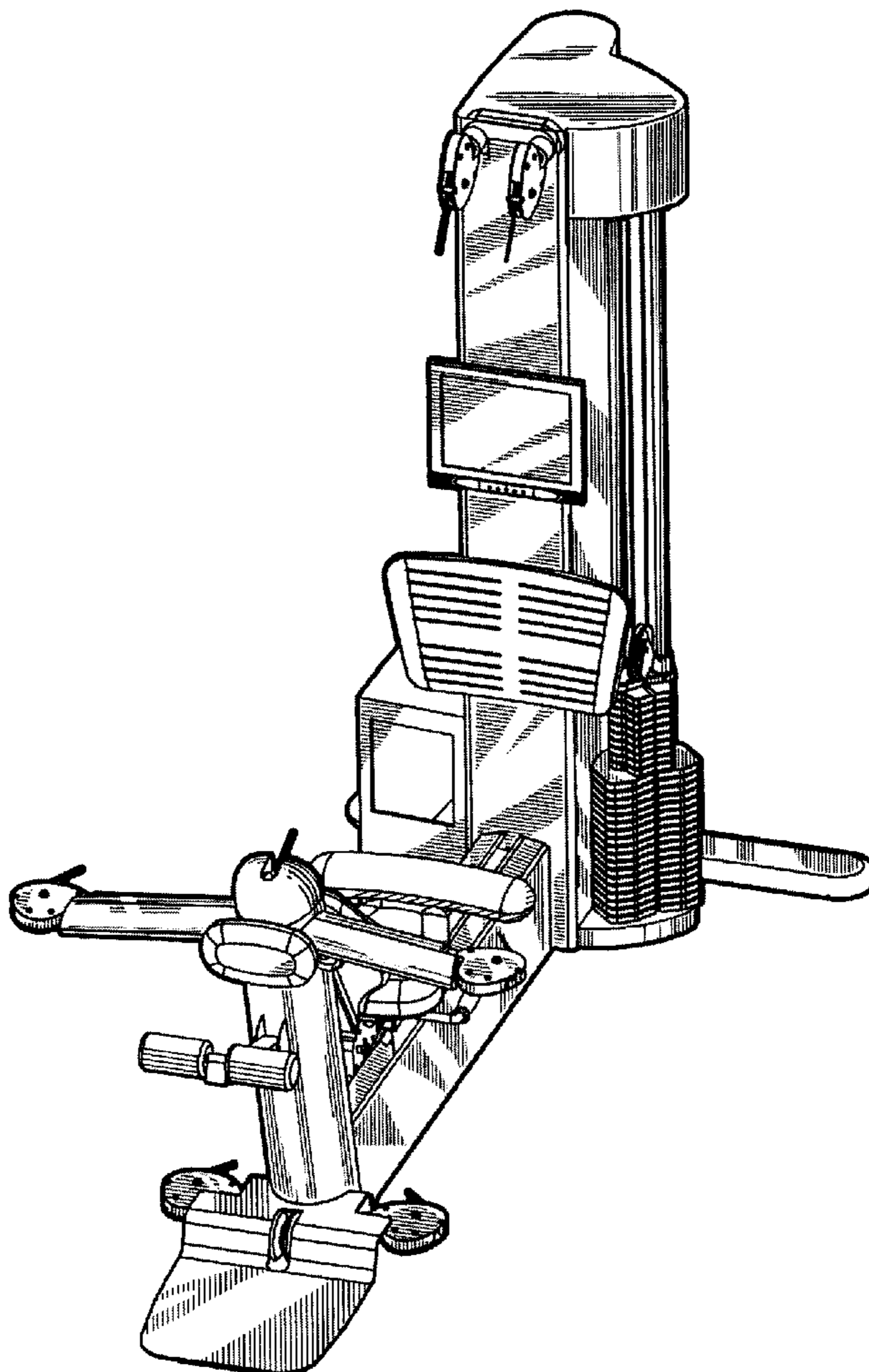
(57) **CLAIM**

The ornamental design for an exercise machine, as shown
and described.

DESCRIPTION

FIG. 1 is a front perspective view of my new design;
FIG. 2 is a front elevation view thereof;
FIG. 3 is a right side elevation view thereof;
FIG. 4 is a rear elevation view thereof;
FIG. 5 is a left side elevation view thereof; and,
FIG. 6 is a top plan view thereof.

1 Claim, 4 Drawing Sheets



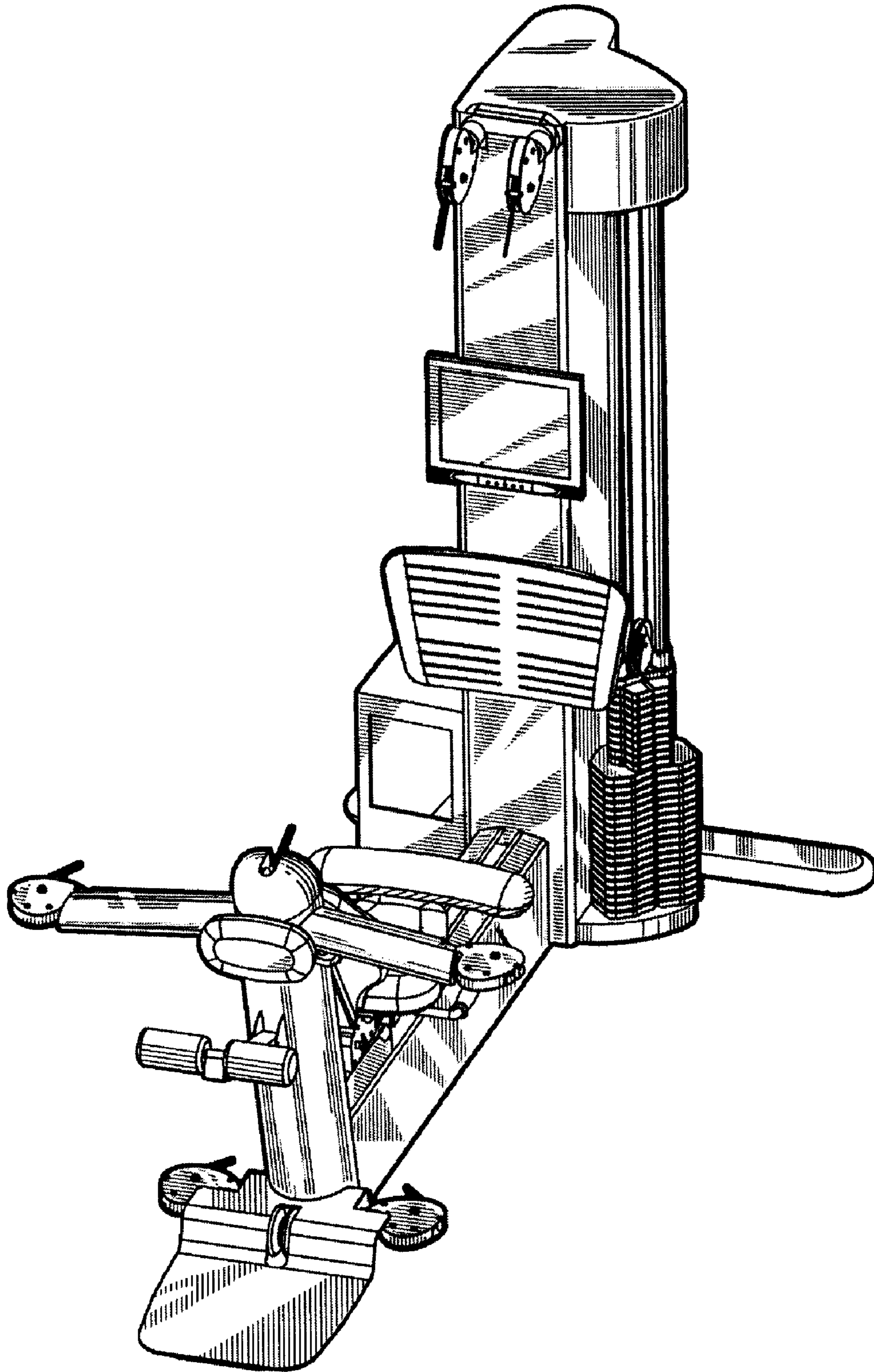


FIG.1

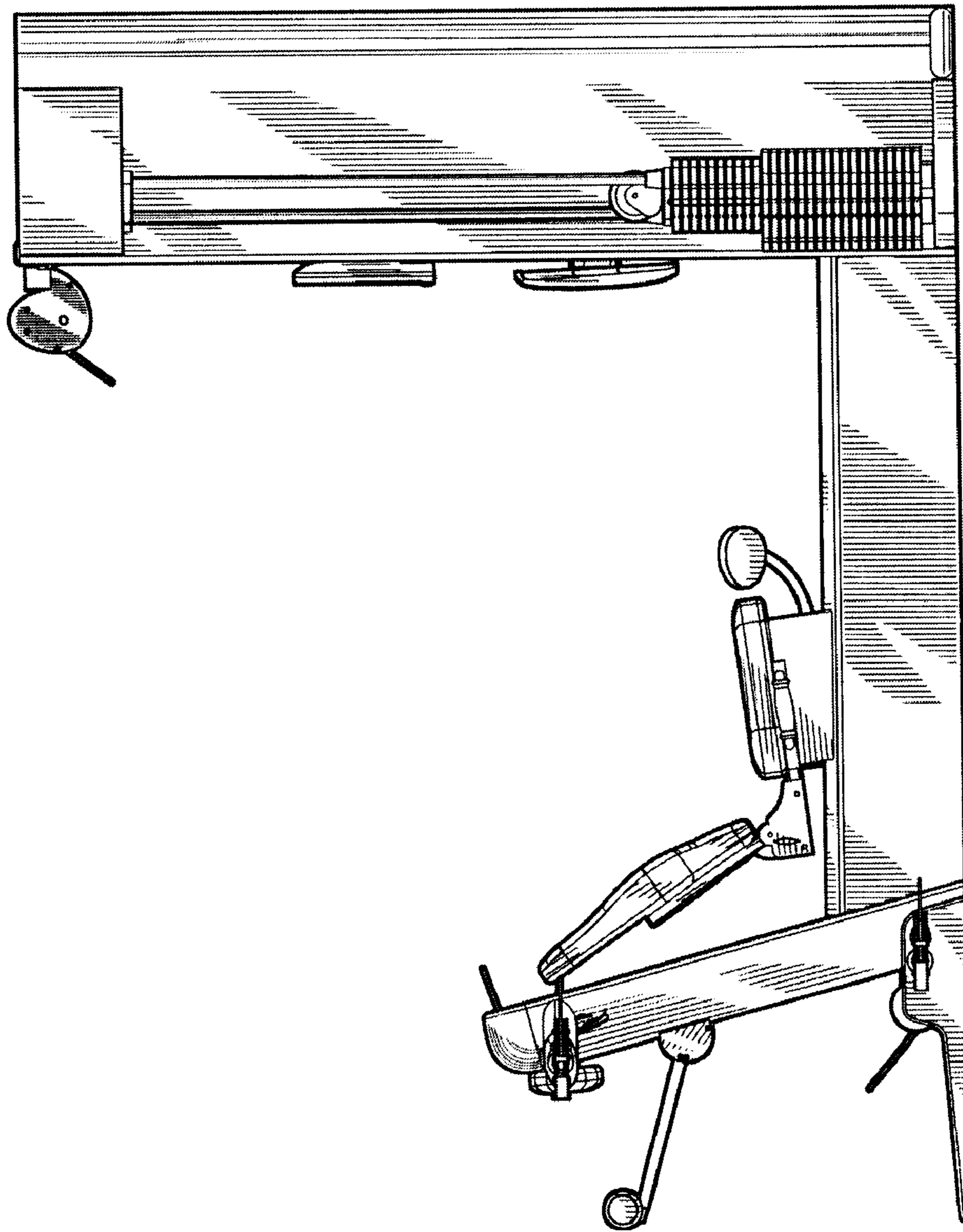


FIG.3

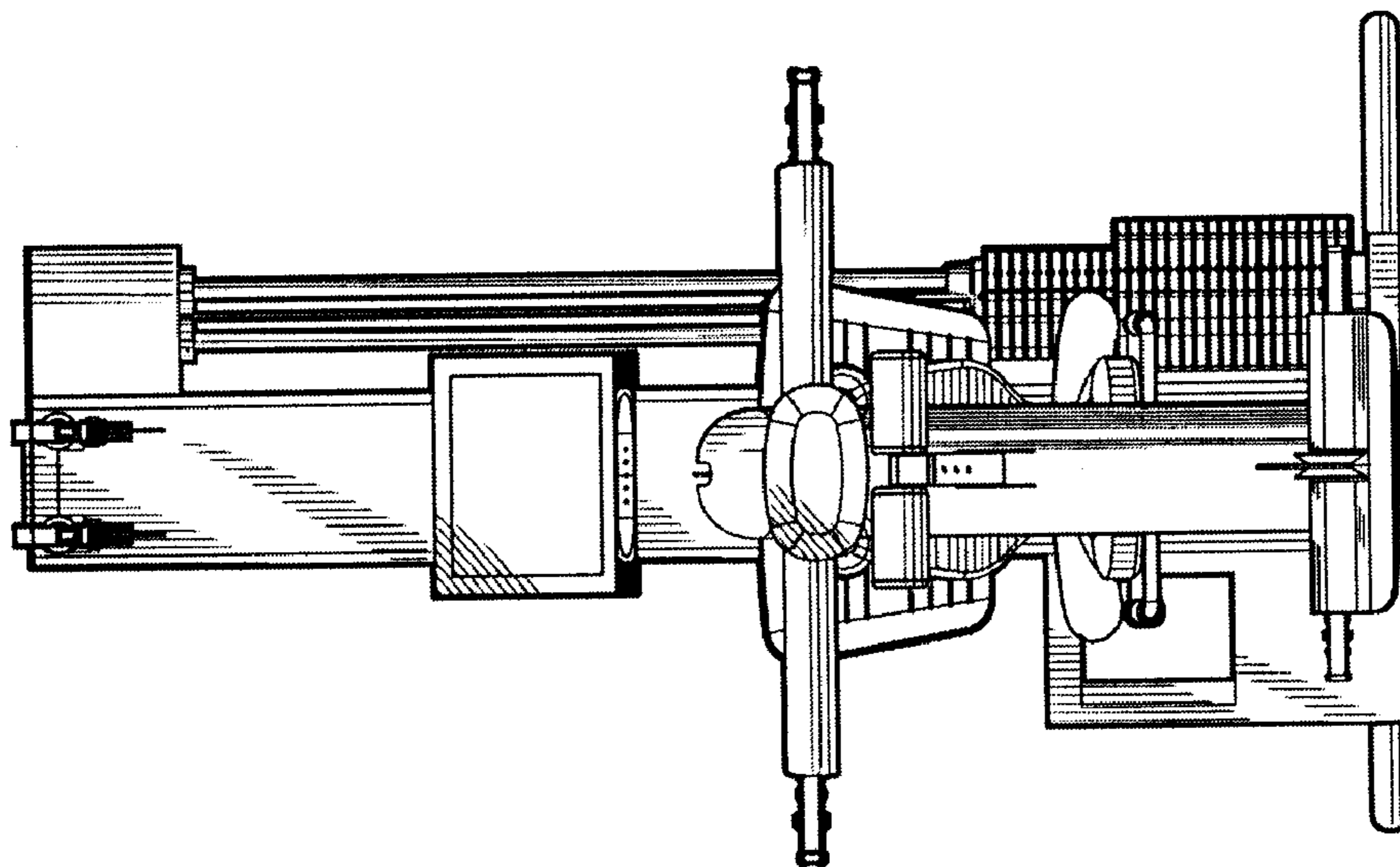


FIG.2

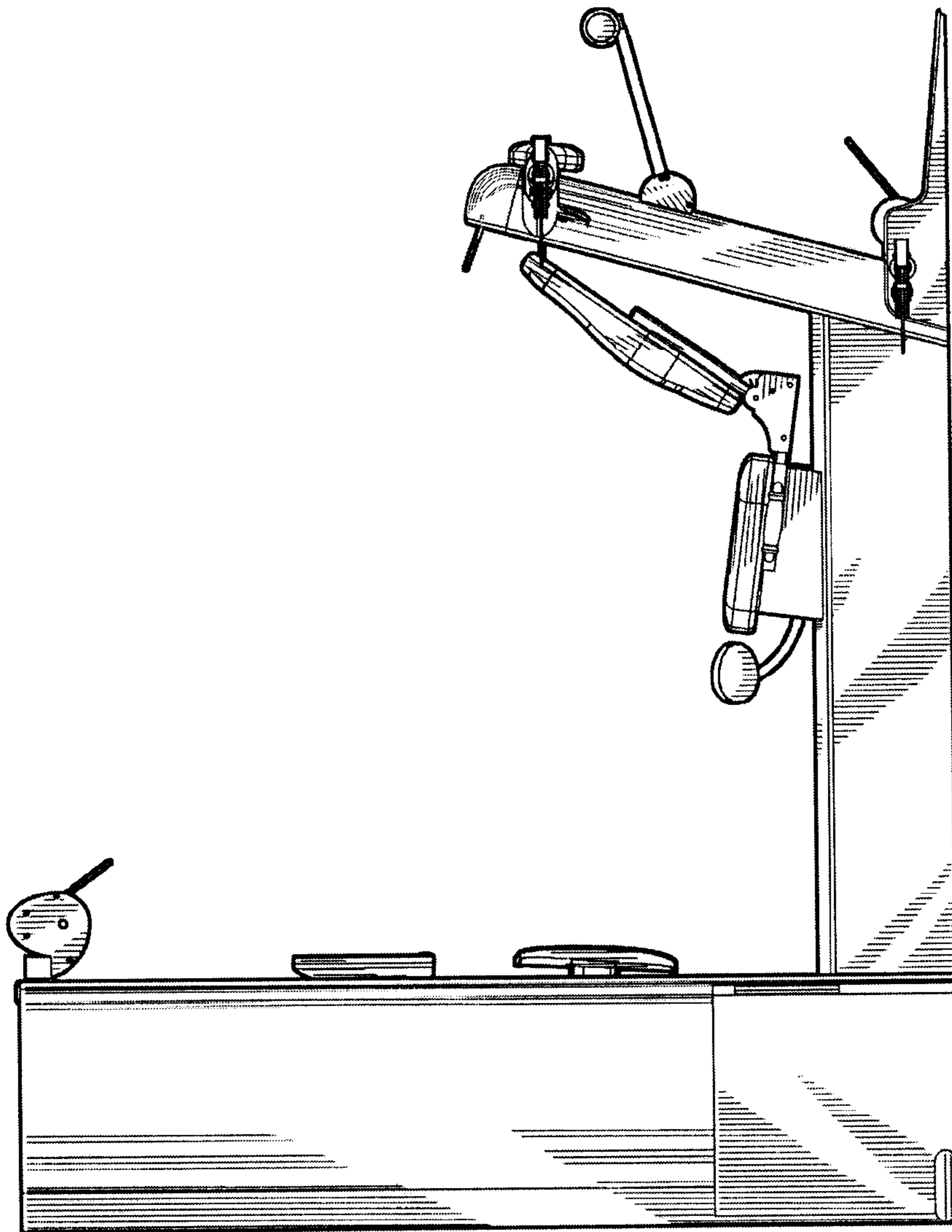


FIG.5

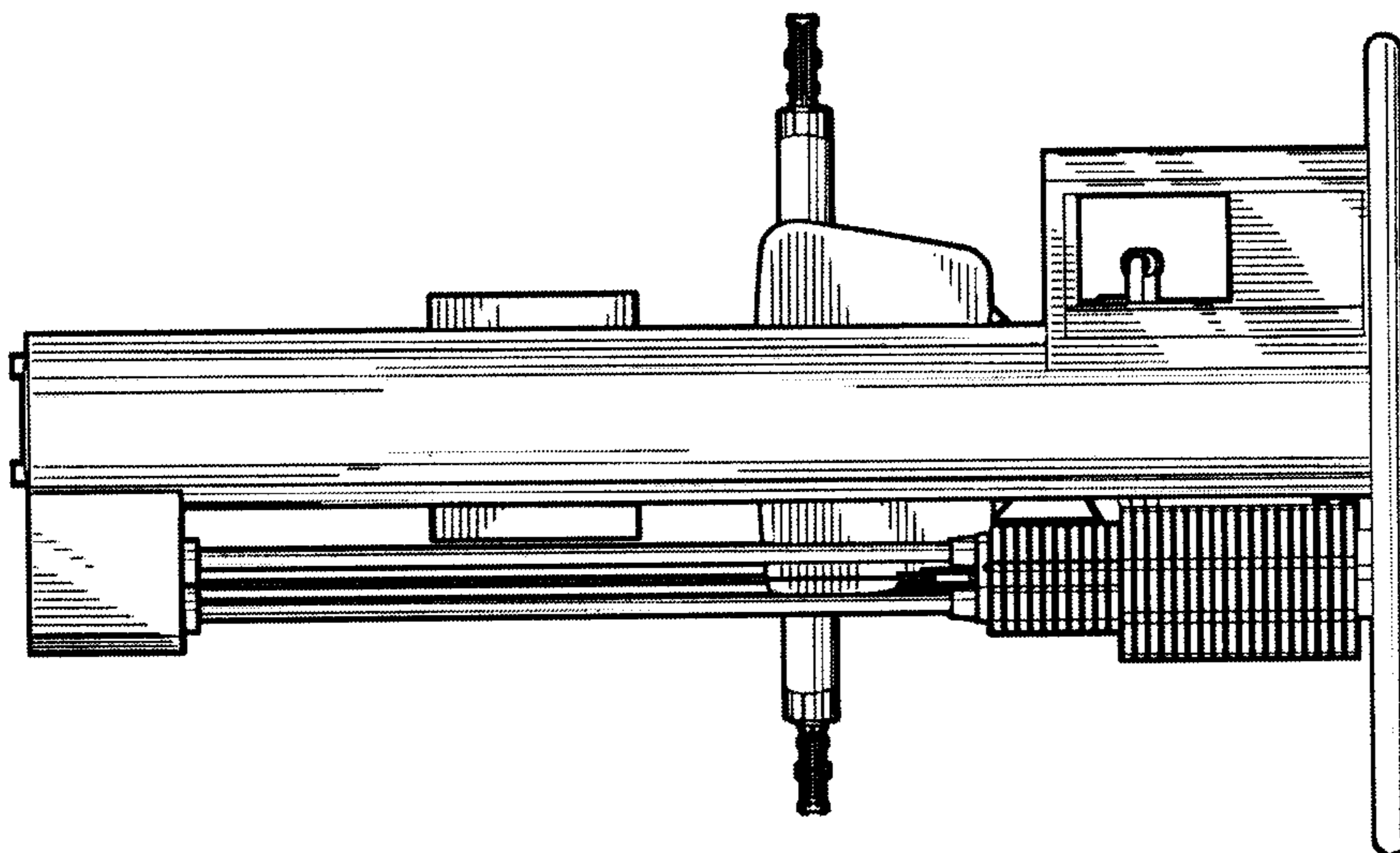


FIG.4

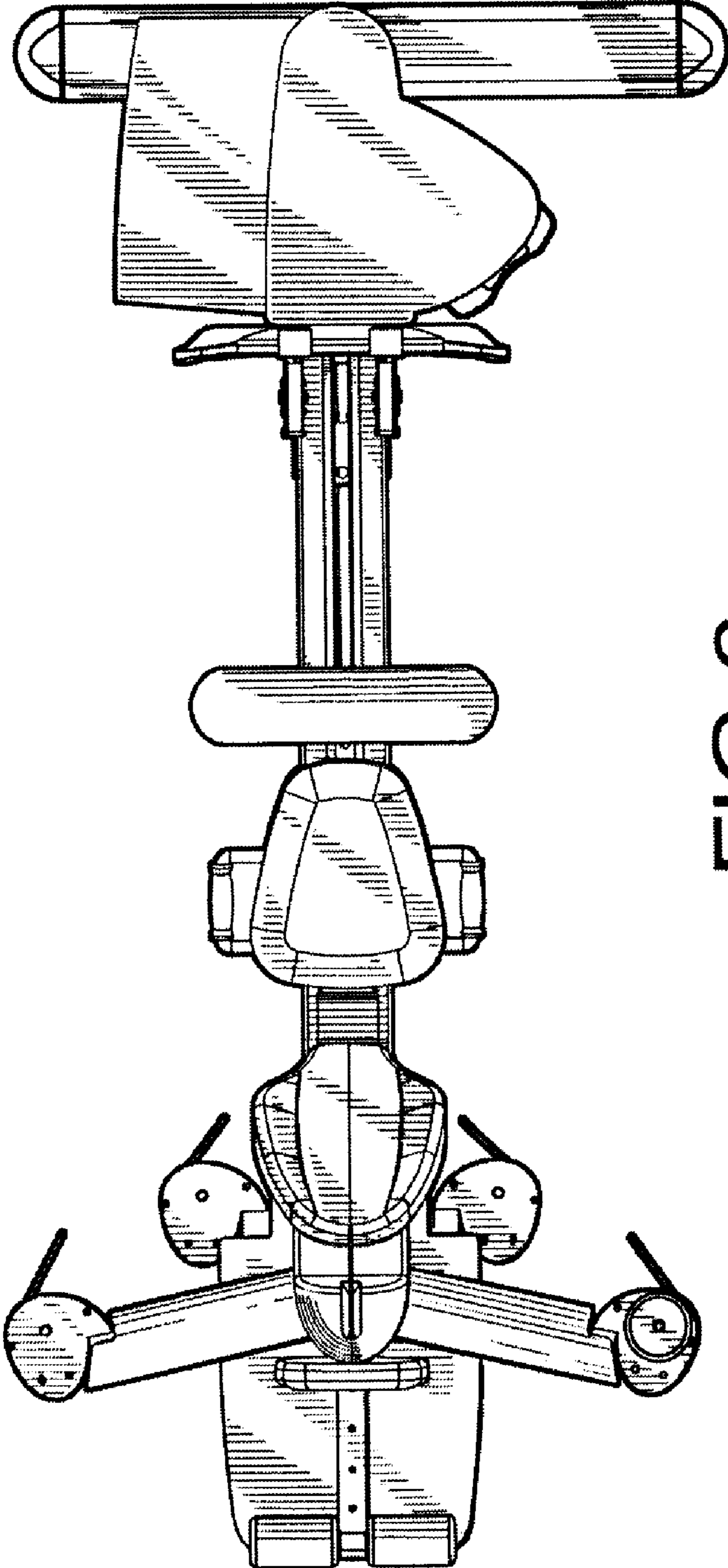


FIG. 6