

US00D514173S

(12) **United States Design Patent** (10) **Patent No.:** **US D514,173 S**
McBride et al. (45) **Date of Patent:** **** Jan. 31, 2006**

(54) **WATER GUNS** 3,365,838 A 1/1968 Butler et al.
 3,578,789 A 5/1971 Ferri
 (75) Inventors: **John McBride**, Morton, PA (US); 3,786,683 A 1/1974 Berman et al.
Truman John Gilbert, Philadelphia, PA 3,930,761 A 1/1976 Barraclough
 (US) 4,070,725 A 1/1978 Austin et al.
 4,214,674 A 7/1980 Jones et al.

(73) Assignee: **Mattel, Inc.**, El Segundo, CA (US)

(Continued)

(**) Term: **14 Years**

FOREIGN PATENT DOCUMENTS

(21) Appl. No.: **29/214,139**

GB	431955	7/1935
GB	669983	4/1952
JP	4-263795	9/1992
JP	6-94395	5/1994
WO	WO94/00208	1/1994
WO	WO94/00210	1/1994
WO	WO94/00243	1/1994
WO	WO94/00244	1/1994
WO	WO96/36846	11/1996
WO	WO98/05397	2/1998
WO	WO98/29175	7/1998
WO	WO98/30299	7/1998
WO	WO98/54534	12/1998
WO	WO99/15849	4/1999
WO	WO00/76670	12/2000
WO	WO01/23059	4/2001
WO	WO01/37356	5/2001

(22) Filed: **Sep. 27, 2004**

Related U.S. Application Data

(62) Division of application No. 29/180,808, filed on Apr. 30, 2003.

(51) **LOC (8) Cl.** **21-01**
 (52) **U.S. Cl.** **D21/572**
 (58) **Field of Classification Search** D21/567,
 D21/572-575, 447-452; D23/225-226; 446/267,
 446/473, 475; 222/78-79; 239/211, 237,
 239/229, 373; D14/428; D22/103; 124/78,
 124/73-76, 6, 16

See application file for complete search history.

Primary Examiner—Raphael Barkai

(74) *Attorney, Agent, or Firm*—Kolisch Hartwell, P.C.

(56) **References Cited**

U.S. PATENT DOCUMENTS

2,049,194 A	7/1936	Chapin et al.
D159,040 S	6/1950	Bicos
2,536,484 A	1/1951	Avery
2,589,977 A	3/1952	Stelzer
2,629,516 A	2/1953	Badham
2,648,159 A	8/1953	Rotfeld
2,660,000 A	11/1953	Strayer
2,746,643 A	5/1956	Spalding
2,888,172 A	5/1959	O'Brian
2,915,221 A	12/1959	Dillon
3,005,495 A	10/1961	Herberg
3,022,779 A	2/1962	Benkoe
3,104,448 A	9/1963	Morrow et al.
3,197,070 A	7/1965	Pearl et al.
3,240,924 A	3/1966	Darby
3,318,482 A	5/1967	Voce

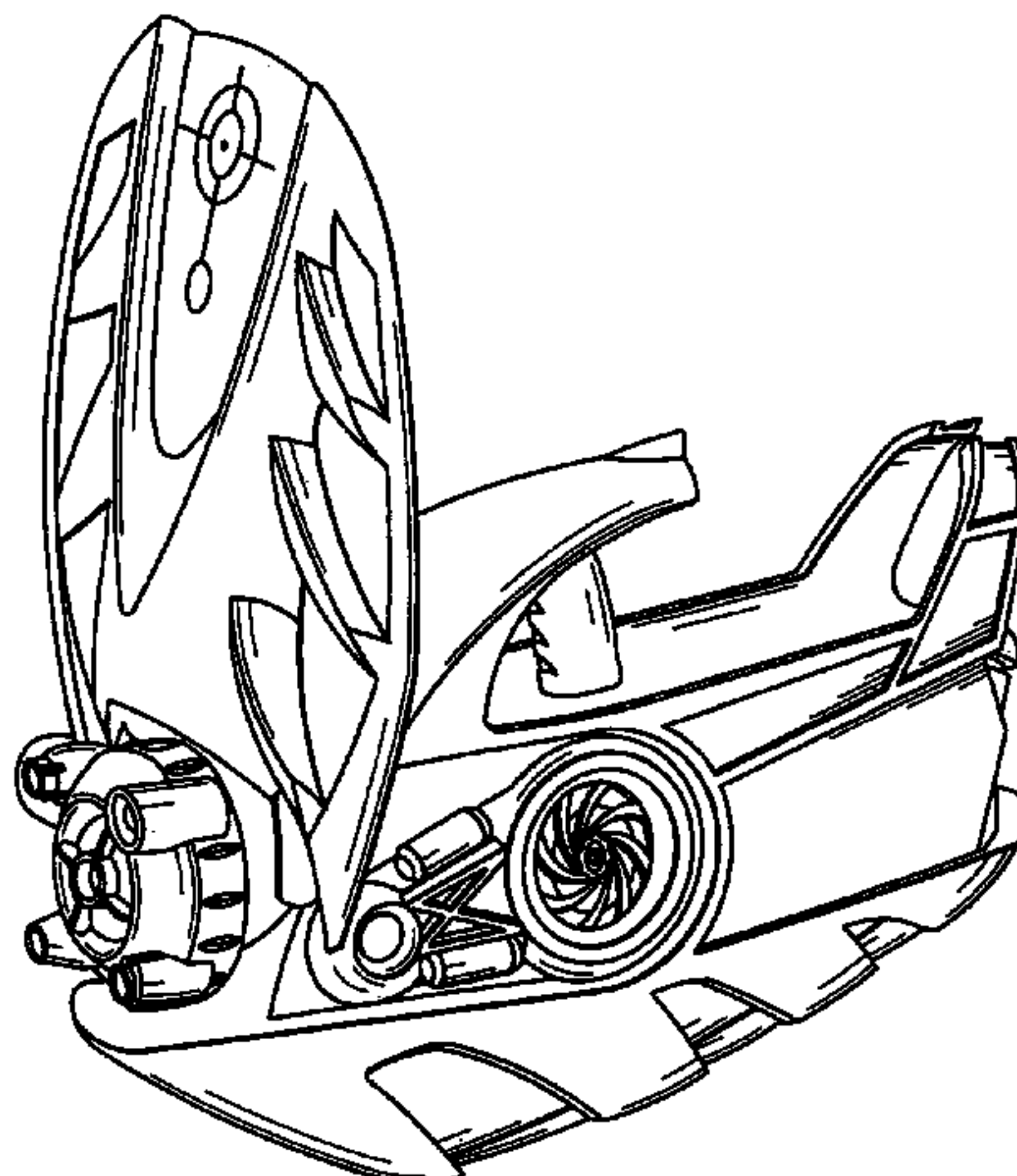
(57) **CLAIM**

We claim the ornamental design for a water gun, as shown and described.

DESCRIPTION

FIG. 1 is a front left side perspective view of a water gun showing an embodiment of my new design;
 FIG. 2 is a front elevational view thereof;
 FIG. 3 is a right side elevational view thereof;
 FIG. 4 is a top plan view thereof;
 FIG. 5 is a rear elevational view thereof;
 FIG. 6 is a left side elevational view thereof; and,
 FIG. 7 is a bottom plan view thereof.

1 Claim, 7 Drawing Sheets



U.S. PATENT DOCUMENTS

4,214,681 A	7/1980	Levine	5,709,199 A	1/1998	Johnson et al.
4,228,930 A	10/1980	Hogan	5,724,955 A	3/1998	Johnson et al.
4,239,129 A	12/1980	Esposito	5,730,325 A	3/1998	Cheung
4,271,988 A	6/1981	Clausen	5,735,440 A	4/1998	Regalbuto
4,274,558 A	6/1981	Clausen	5,779,100 A	7/1998	Johnson
4,350,268 A	9/1982	Potter	5,779,240 A	7/1998	Santella
4,441,629 A	4/1984	Mackal	5,787,869 A	8/1998	Johnson et al.
4,550,876 A	11/1985	Kulesza et al.	5,823,849 A	10/1998	Gardner et al.
4,591,071 A	5/1986	Johnson	5,826,750 A	10/1998	Johnson
4,597,527 A	7/1986	Sands	5,829,635 A	11/1998	Brovelli
4,615,488 A	10/1986	Sands	5,850,941 A	12/1998	Johnson et al.
4,630,757 A	12/1986	Yano	5,878,734 A	3/1999	Johnson et al.
4,706,848 A	11/1987	D'Andrade	5,878,735 A	3/1999	Johnson
4,733,799 A	3/1988	Wiskur	5,878,914 A	3/1999	Johnson
4,735,239 A	4/1988	Salmon et al.	5,913,304 A	6/1999	Johnson
4,743,030 A	5/1988	Auer et al.	5,915,771 A	6/1999	Amron
4,757,946 A	7/1988	Johnson	5,924,413 A	7/1999	Johnson et al.
4,765,510 A	8/1988	Rende	5,975,358 A	11/1999	Zheng et al.
4,854,480 A	8/1989	Shindo	6,000,386 A	12/1999	Johnson et al.
D304,049 S	10/1989	Lee	6,003,503 A	12/1999	Johnson et al.
4,890,767 A	1/1990	Burlison	6,012,609 A	1/2000	D'Andrade
4,932,912 A	6/1990	Combs	D423,063 S	4/2000	D'Andrade et al.
5,012,974 A	5/1991	Johnson	D423,609 S	4/2000	D'Andrade et al.
5,029,732 A	7/1991	Wong	D426,592 S	6/2000	Zimmerman
5,065,904 A	11/1991	McCaffrey et al.	D426,593 S	6/2000	Zimmerman
5,074,437 A	12/1991	D'Andrade et al.	D427,251 S	6/2000	D'Andrade et al.
5,150,819 A	9/1992	Johnson et al.	D428,077 S	7/2000	Zimmerman
5,184,755 A	2/1993	Brovelli	D429,504 S	8/2000	Hornsby et al.
5,184,756 A	2/1993	Amron	D429,505 S	8/2000	Hornsby et al.
D336,668 S	6/1993	D'Andrade	D429,506 S	8/2000	Hornsby et al.
D336,938 S	6/1993	D'Andrade	D430,908 S	9/2000	Hornsby et al.
D336,939 S	6/1993	Salmon et al.	D433,079 S	10/2000	Zimmerman
D338,697 S	8/1993	Salmon et al.	6,138,871 A	10/2000	D'Andrade
5,238,149 A	8/1993	Johnson et al.	D434,458 S	11/2000	Hornsby et al.
5,292,032 A	3/1994	Johnson et al.	6,151,824 A	11/2000	Clayton
5,305,918 A	4/1994	D'Andrade	6,193,107 B1	2/2001	D'Andrade
5,305,919 A	4/1994	Johnson et al.	D439,286 S	3/2001	Hornsby et al.
5,318,202 A	6/1994	D'Andrade	D441,039 S *	4/2001	Greenberg et al. D21/572
5,322,191 A	6/1994	Johnson et al.	6,220,237 B1	4/2001	Johnson et al.
5,332,120 A	7/1994	D'Andrade et al.	6,234,347 B1	5/2001	Amron
5,348,508 A	9/1994	Garfinkel	6,257,448 B1	7/2001	D'Andrade et al.
5,366,108 A	11/1994	Darling	6,279,562 B1	8/2001	Clayton
5,373,832 A	12/1994	D'Andrade	6,280,277 B1	8/2001	Greenberg et al.
5,398,873 A	3/1995	Johnson et al.	6,345,732 B1	2/2002	Zimmerman et al.
5,433,646 A	7/1995	Tarng	6,364,162 B1	4/2002	Johnson et al.
5,435,569 A	7/1995	Zilliox	6,364,219 B1	4/2002	Zimmerman et al.
5,509,318 A	4/1996	Gomes	6,408,837 B1	6/2002	Johnson et al.
RE35,412 E	12/1996	Johnson et al.	6,415,451 B1	7/2002	Waller
5,586,688 A	12/1996	Johnson et al.	6,419,545 B1	7/2002	Motosko
5,590,836 A	1/1997	Thielbar	6,439,216 B1	8/2002	Johnson et al.
5,592,931 A	1/1997	Johnson et al.	6,474,507 B1	11/2002	Hornsby et al.
5,596,978 A	1/1997	Johnson et al.	D466,958 S	12/2002	Hornsby et al.
5,603,361 A	2/1997	Cuisinier	D470,569 S	2/2003	Chen
5,611,460 A	3/1997	Rudell	6,540,108 B1	4/2003	Johnson
5,613,890 A	3/1997	DeMars	D478,639 S	8/2003	Menow et al.
5,626,123 A	5/1997	Johnson et al.	2002/0020712 A1	2/2002	Hornsby et al.
5,660,159 A	8/1997	Clayton	2002/0042943 A1	4/2002	Waller
5,662,244 A	9/1997	Liu et al.	2002/0074343 A1	6/2002	Johnson et al.
5,699,781 A	12/1997	Johnson et al.	2002/0127946 A1	9/2002	Hornsby et al.
5,701,879 A	12/1997	Johnson et al.	2002/0132557 A1	9/2002	Yu

* cited by examiner

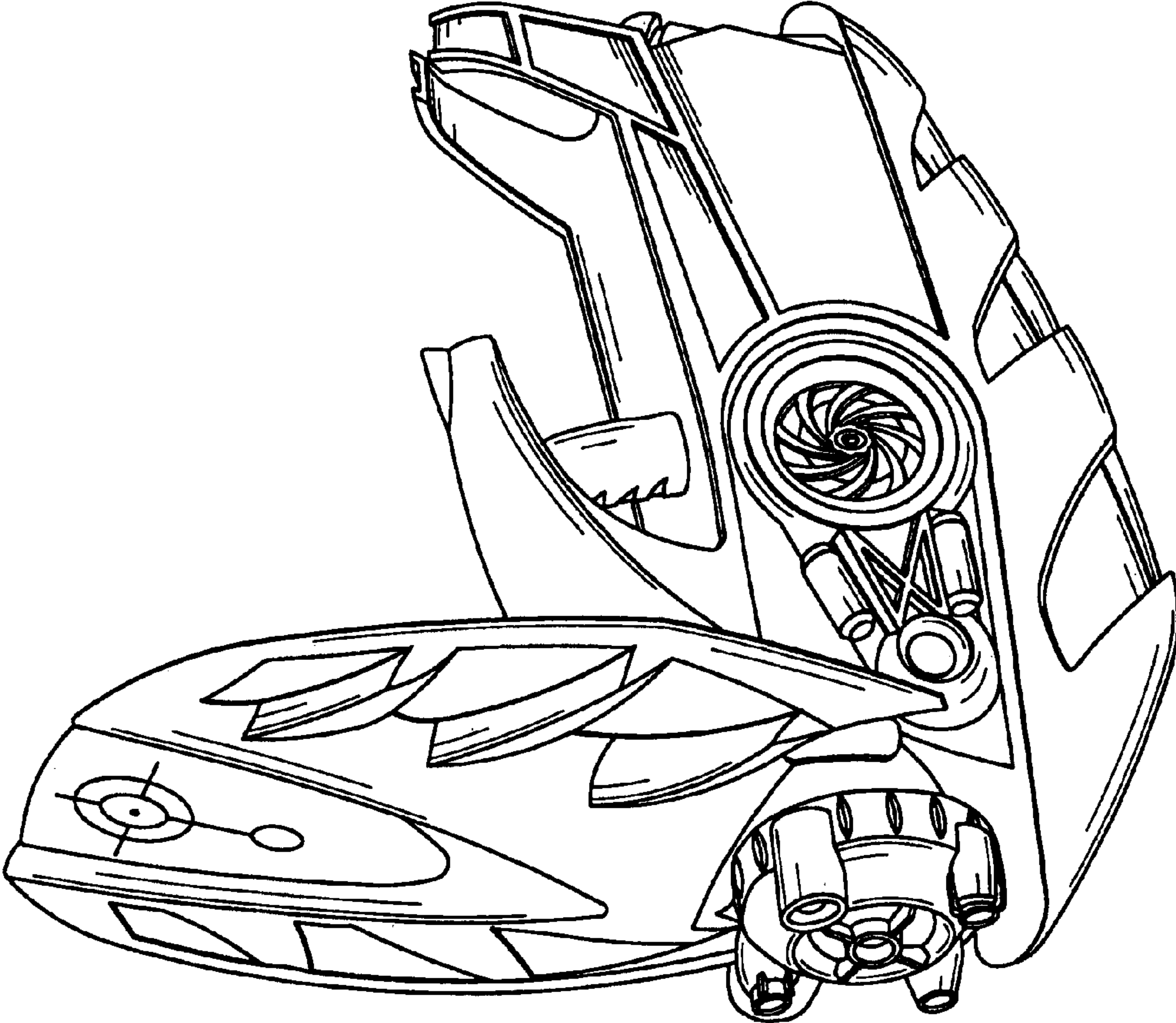


FIG. 1

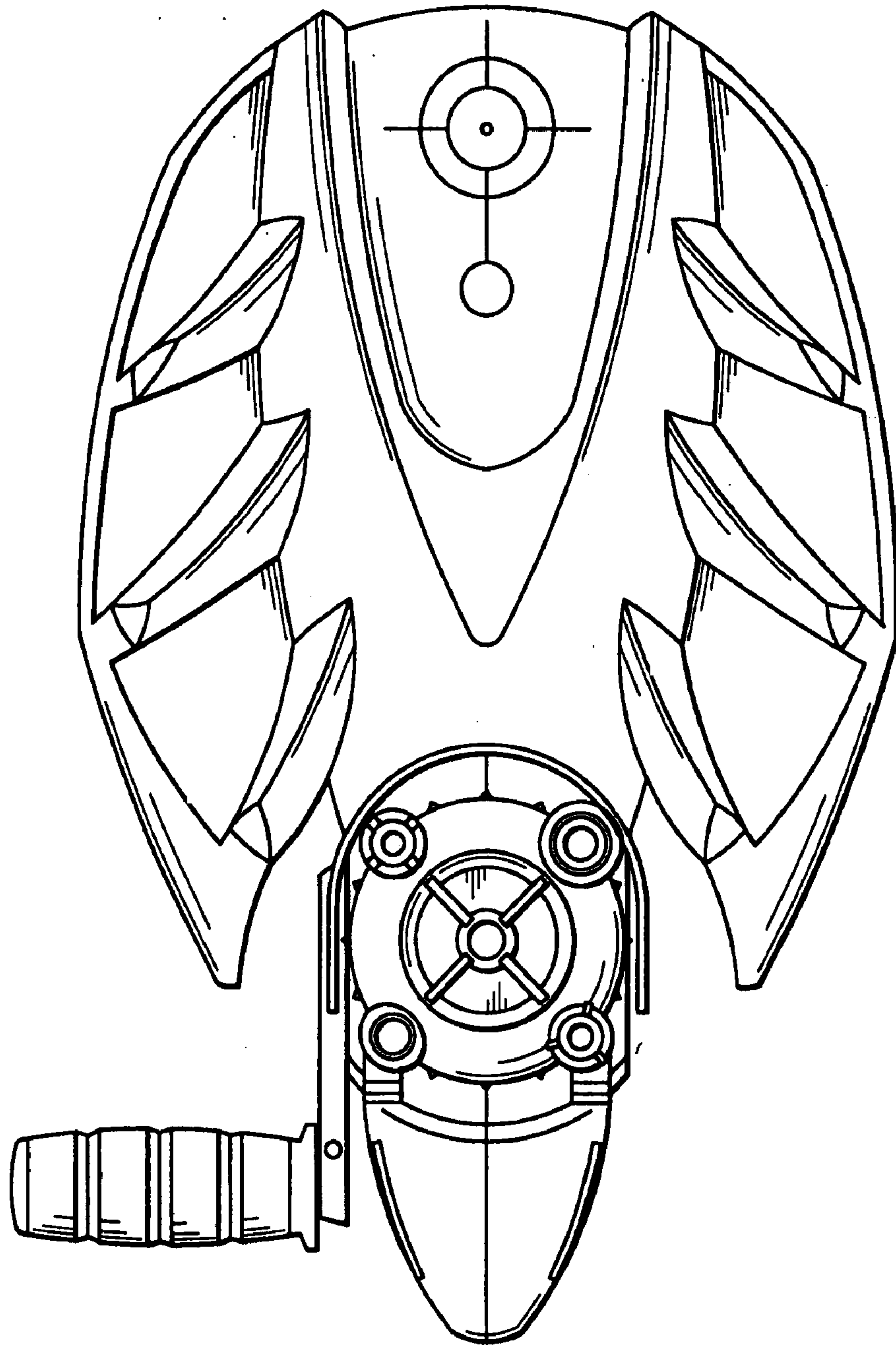


FIG. 2

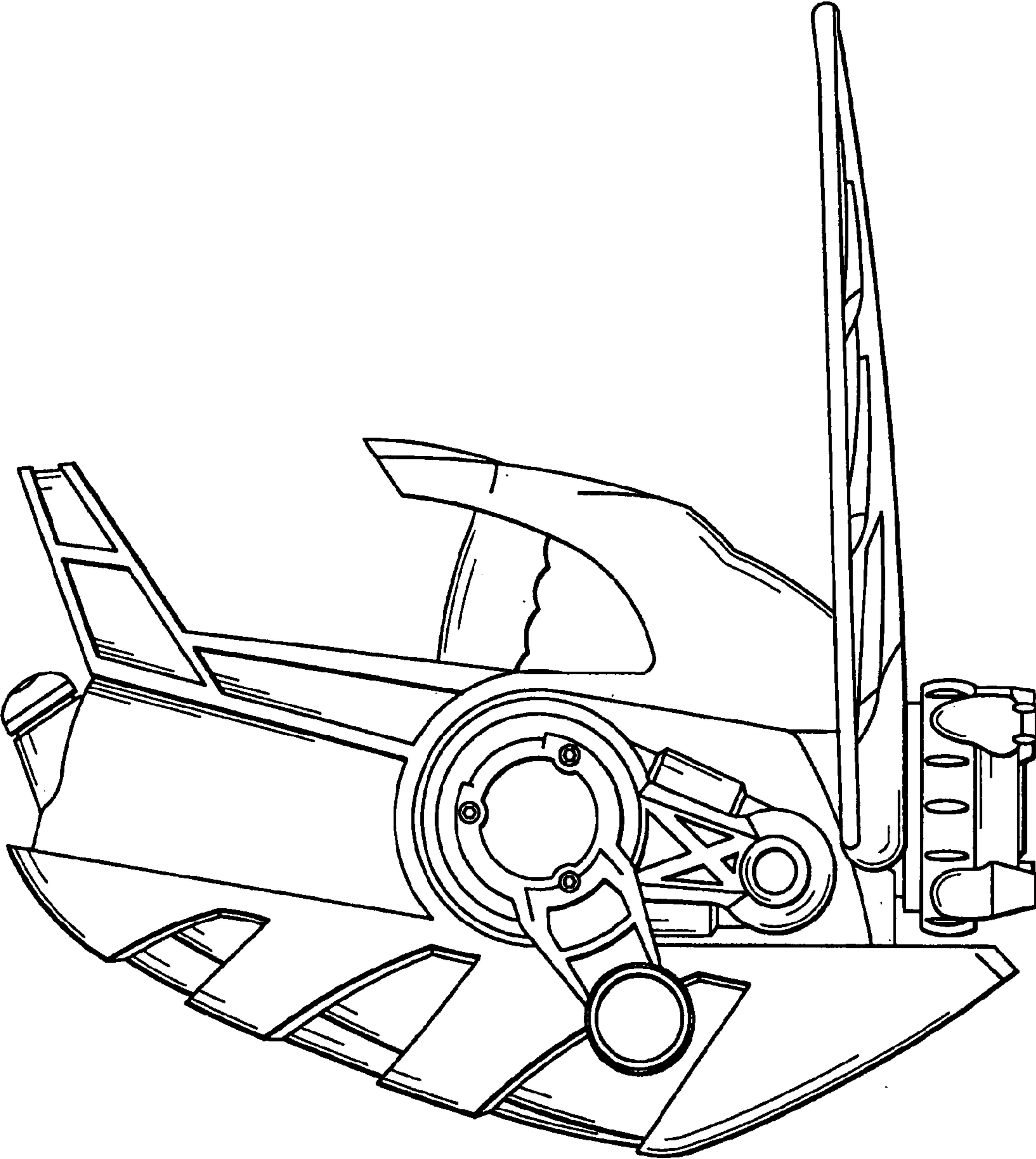


FIG. 3

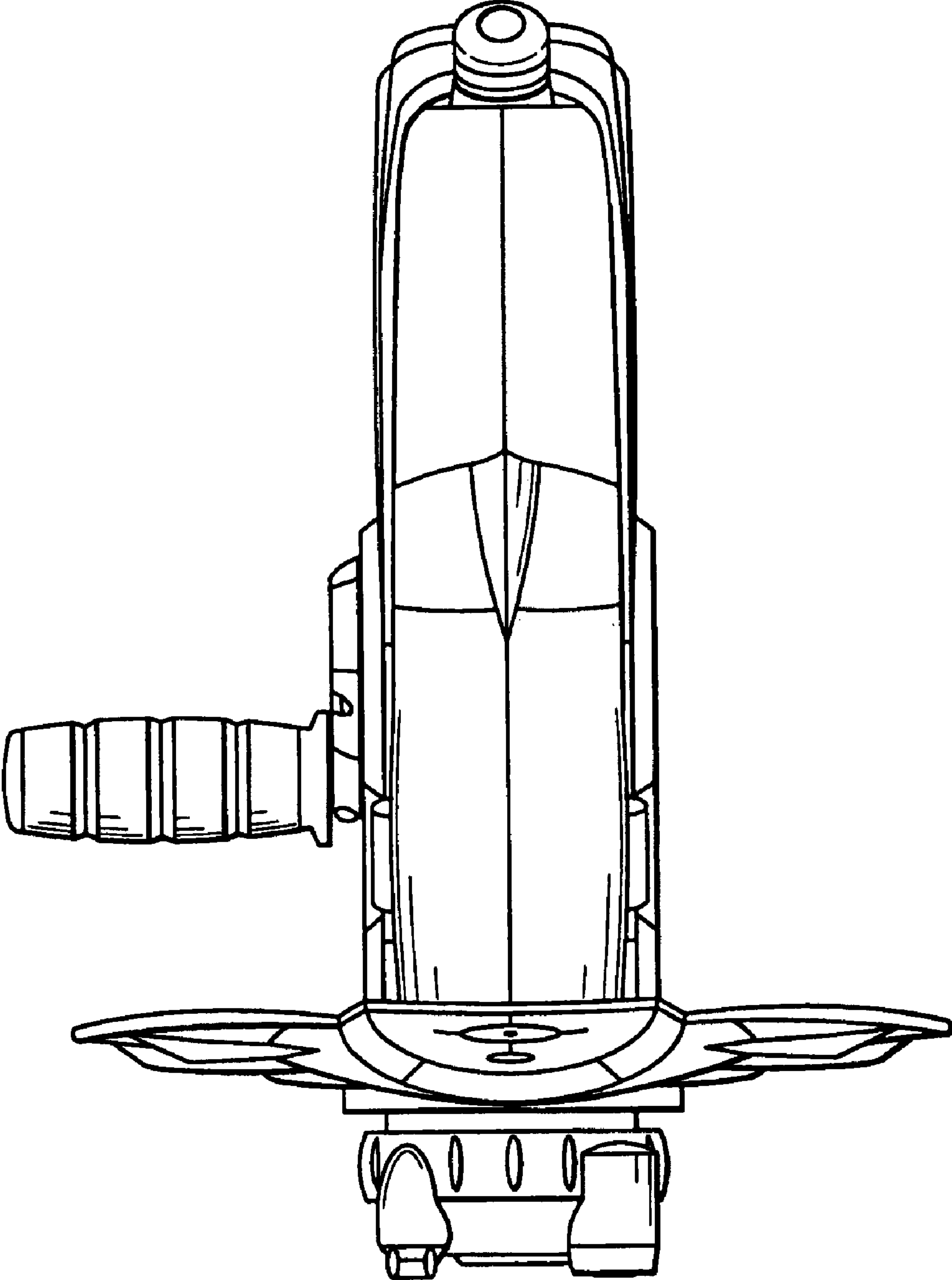


FIG. 4

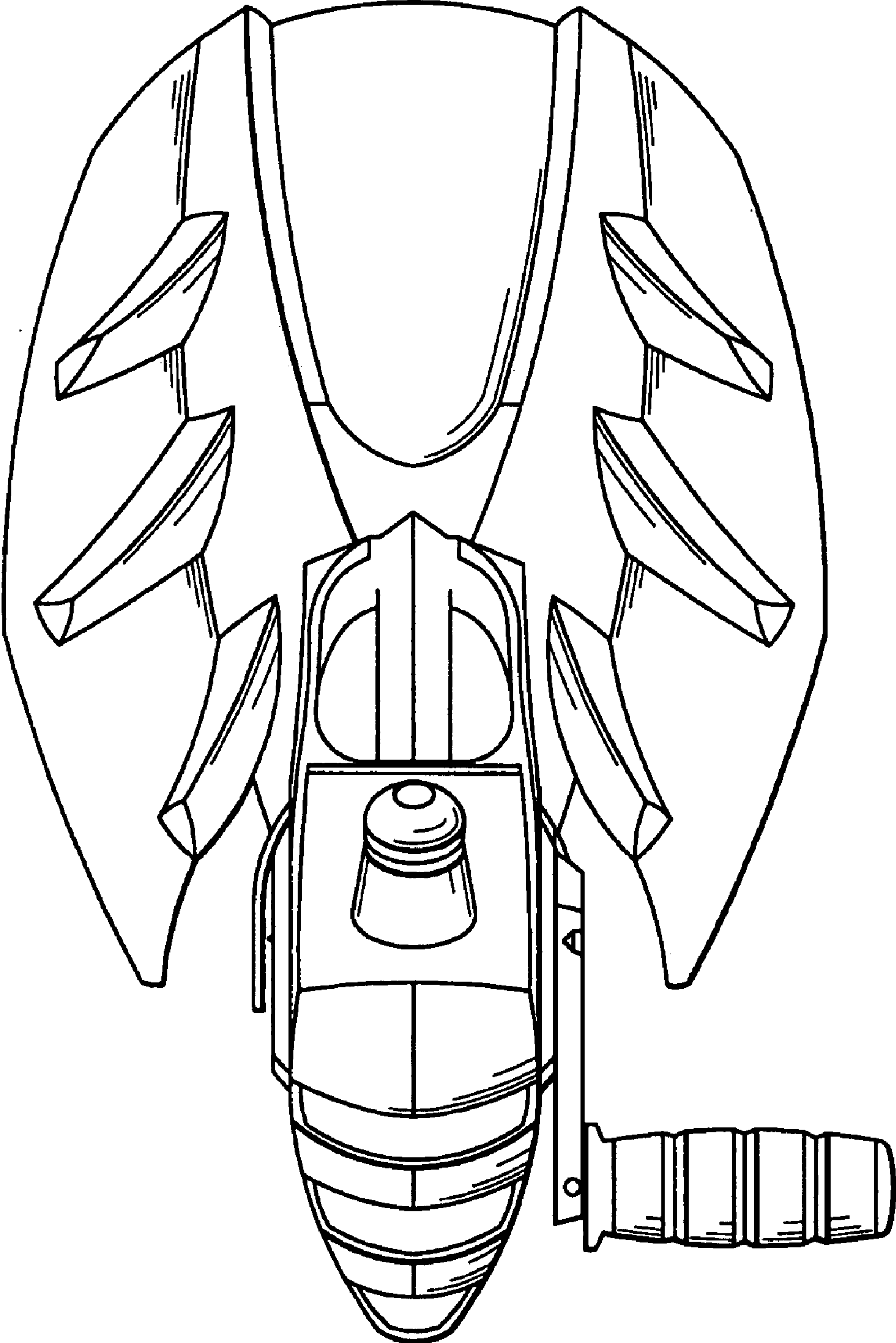


FIG. 5

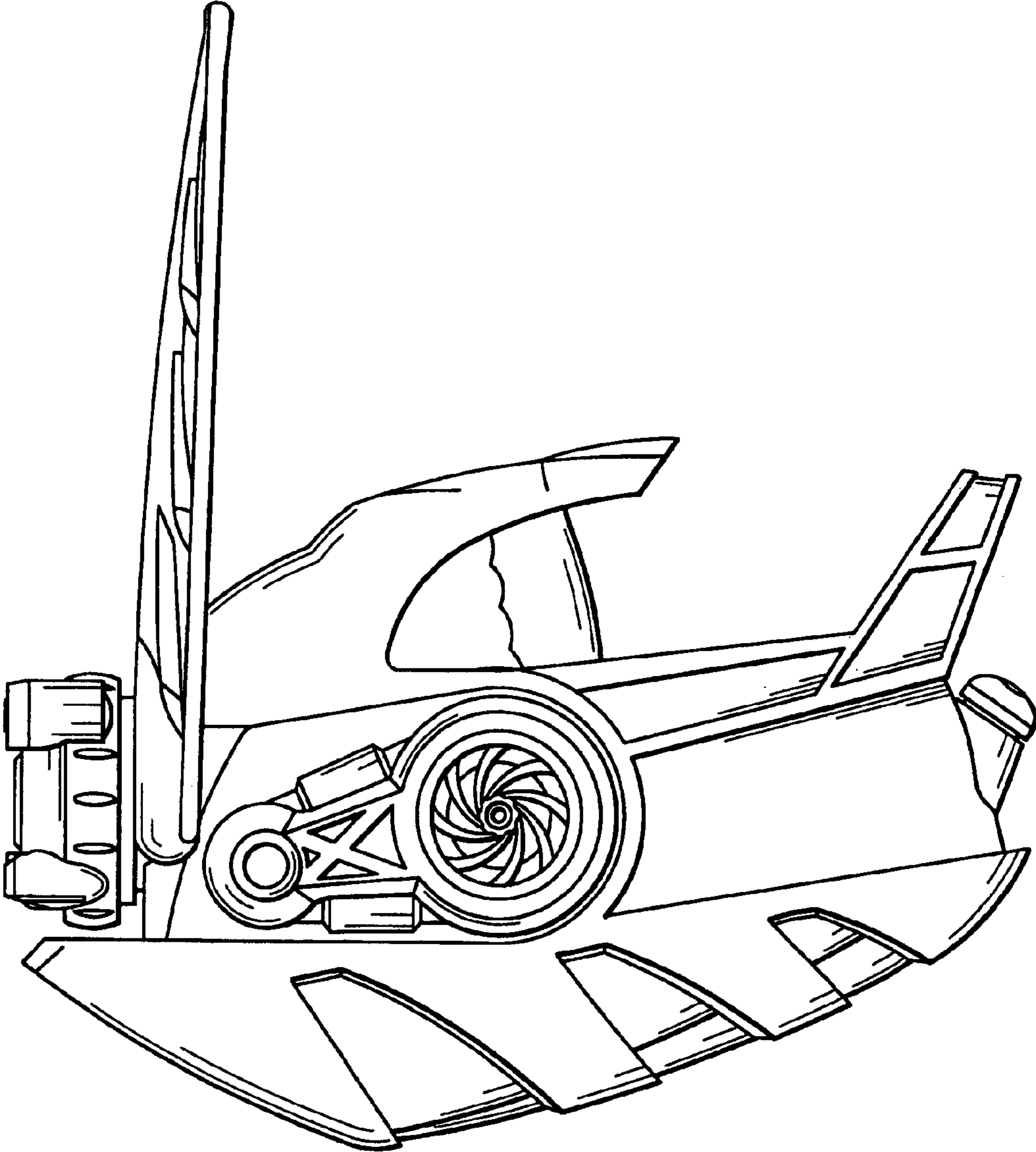


FIG. 6

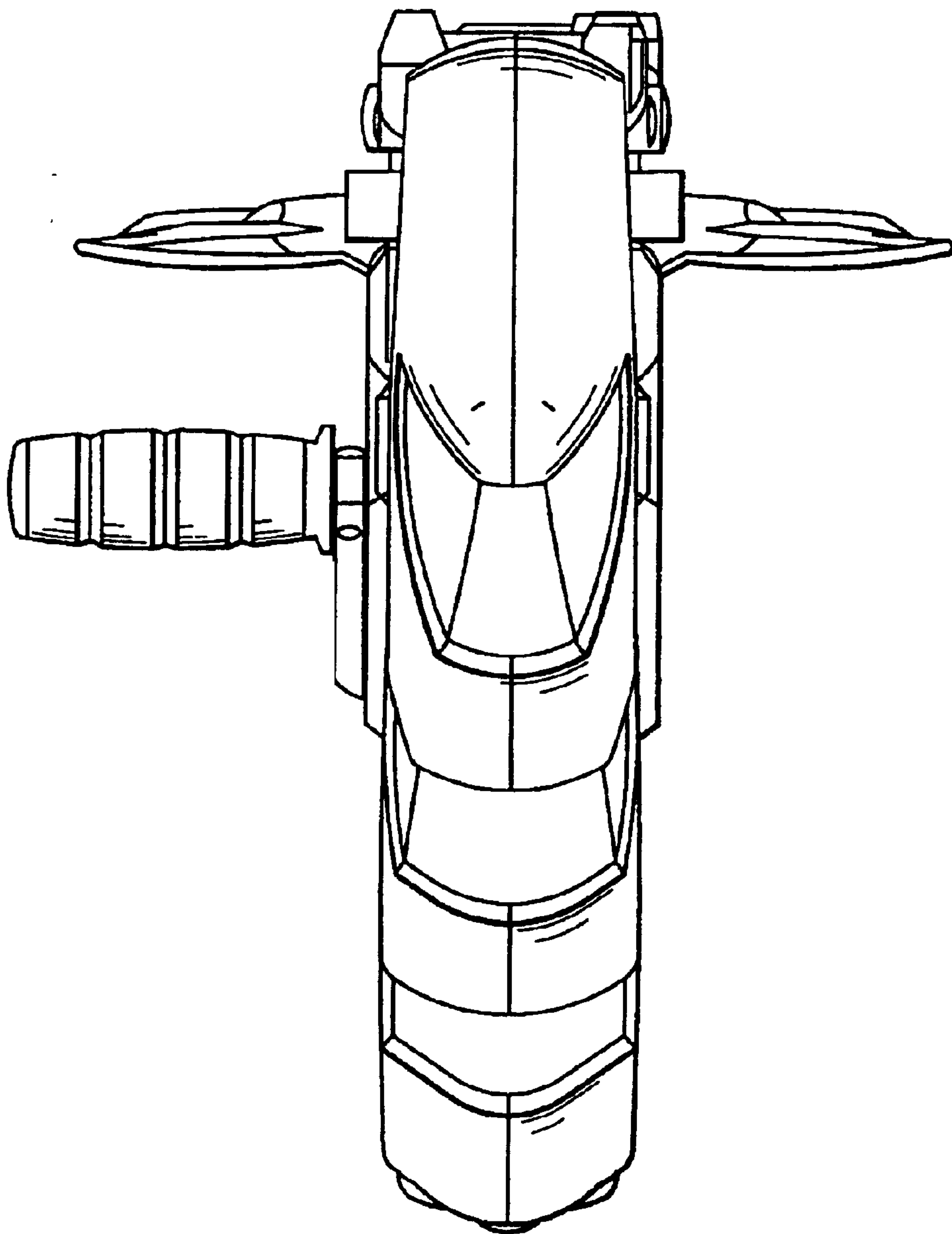


FIG. 7