



US00D514169S

(12) **United States Design Patent**
Seelig et al.

(10) **Patent No.:** **US D514,169 S**
(45) **Date of Patent:** **** Jan. 31, 2006**

- (54) **GAMING DEVICE DISPLAY**
- (75) Inventors: **Jerald C. Seelig**, Pleasantville, NJ
(US); **Lawrence M. Henshaw**,
Pleasantville, NJ (US)
- (73) Assignee: **Atlantic City Coin & Slot Service
Company, Inc.**, Pleasantville, NJ (US)
- (**) Term: **14 Years**
- (21) Appl. No.: **29/182,197**
- (22) Filed: **May 20, 2003**
- (51) **LOC (8) Cl.** **21-03**
- (52) **U.S. Cl.** **D21/370**
- (58) **Field of Classification Search** D21/325,
D21/329, 369-371, 374, 385; D20/1, 7; 273/138.1;
463/16-17, 20, 47
See application file for complete search history.

- D448,050 S * 9/2001 Humphrey D20/7
- D462,399 S * 9/2002 Seelig et al. D21/370
- D463,506 S * 9/2002 Seelig et al. D21/370
- 6,582,307 B2 * 6/2003 Webb 463/20

* cited by examiner

Primary Examiner—Sandra L. Morris
(74) *Attorney, Agent, or Firm*—Ian F. Burns

(57) **CLAIM**

The ornamental design for a gaming device display, as shown and described.

DESCRIPTION

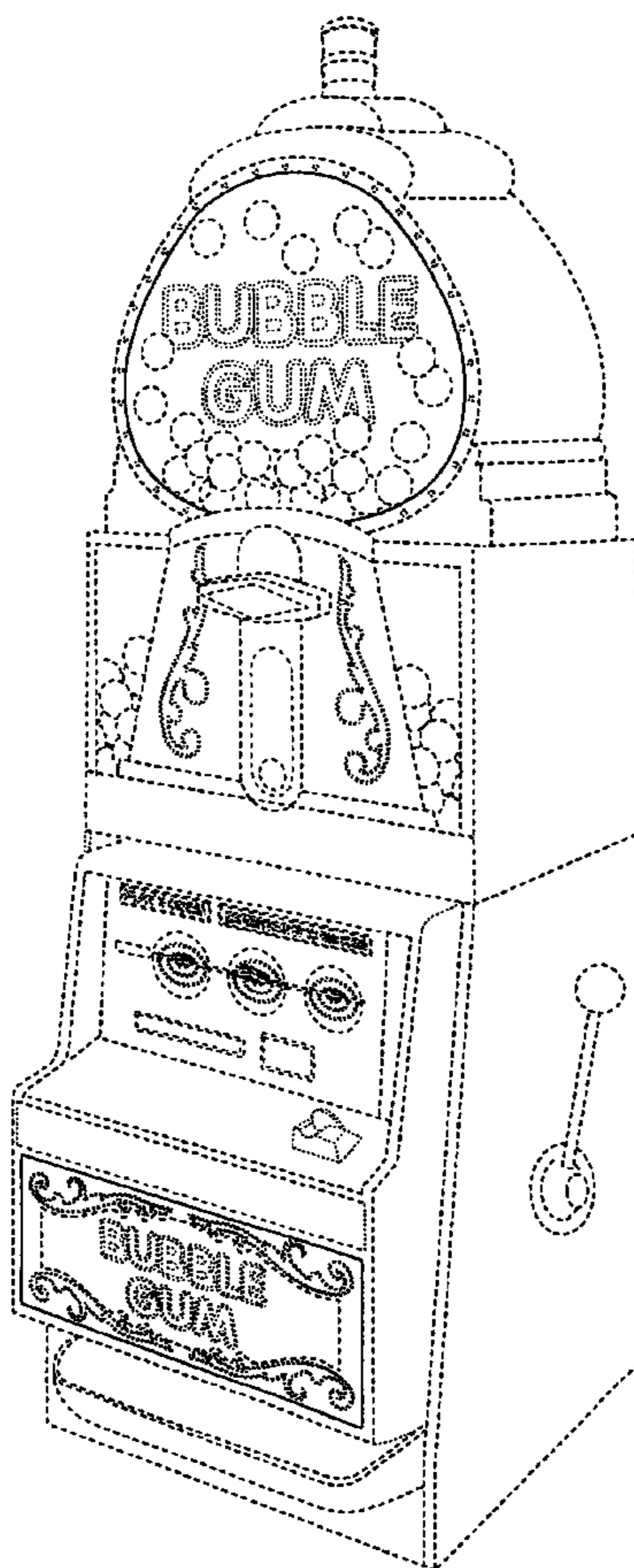
FIG. 1 is substantially a perspective view of the gaming device display.
 FIG. 2 is substantially a front elevational view of the gaming device display shown in FIG. 1.
 FIG. 3 is substantially a right side view of the gaming device display shown in FIG. 1.
 FIG. 4 is substantially a left side view of the gaming device display shown in FIG. 1; and,
 FIG. 5 is substantially a top plan view of the gaming device display shown in FIG. 1.
 Broken lines illustrate features or environmental components that are not part of the design sought to be patented.

(56) **References Cited**

U.S. PATENT DOCUMENTS

- 3,077,254 A * 2/1963 Goldfarb D20/7
- D370,236 S * 5/1996 Stockman D20/7
- D407,442 S * 3/1999 Thai D20/7
- D446,817 S * 8/2001 Grill D20/7

1 Claim, 5 Drawing Sheets



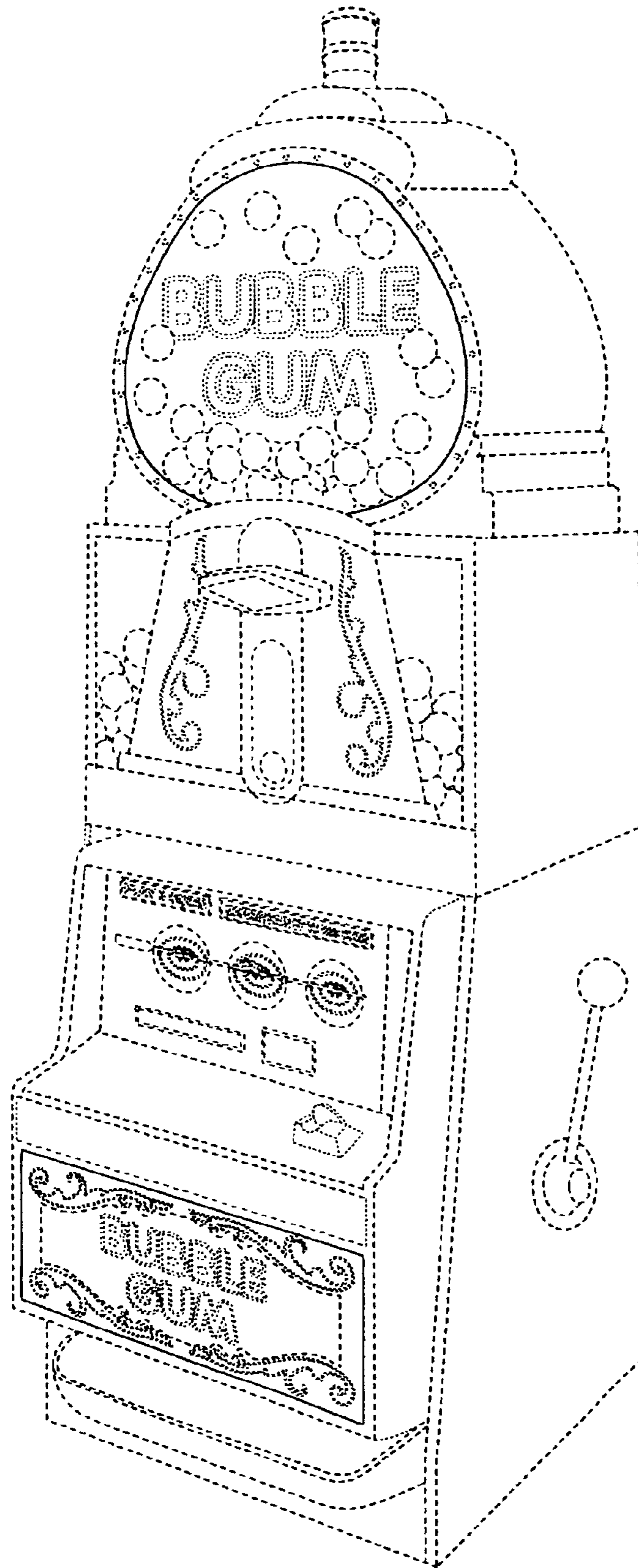


FIG. 1.

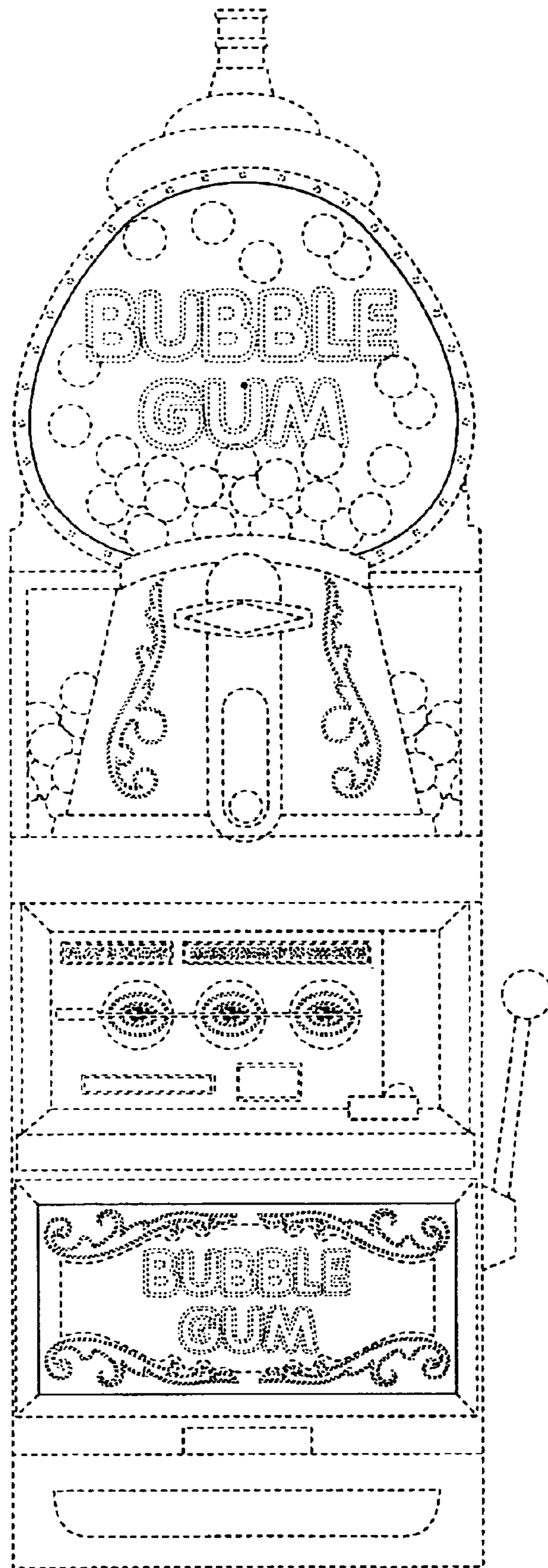


FIG. 2.

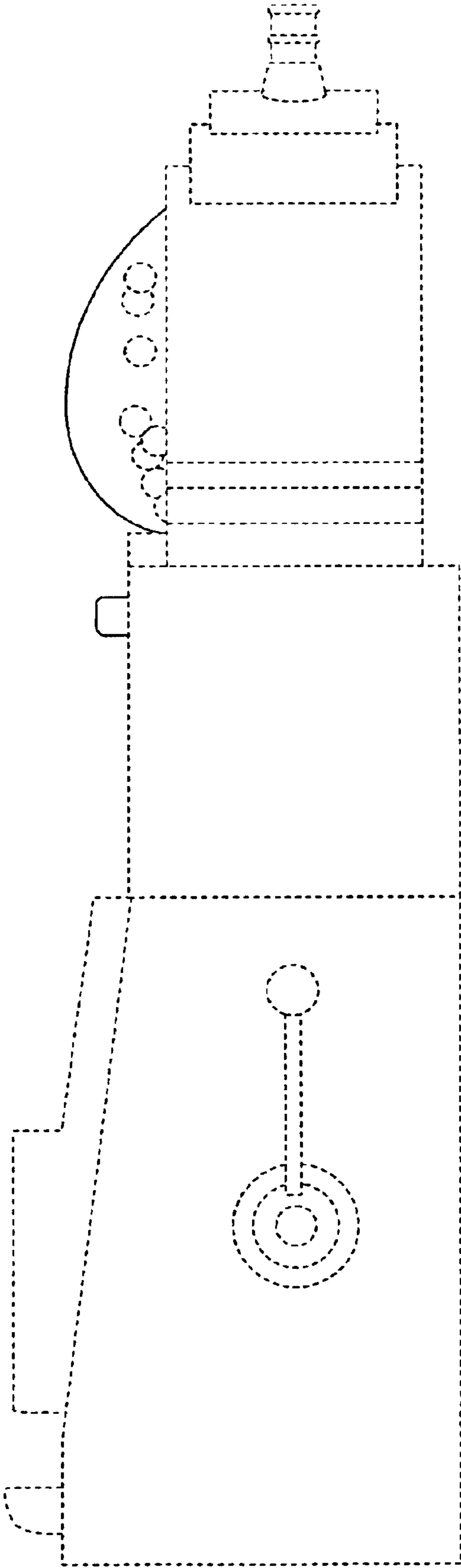


FIG. 3.

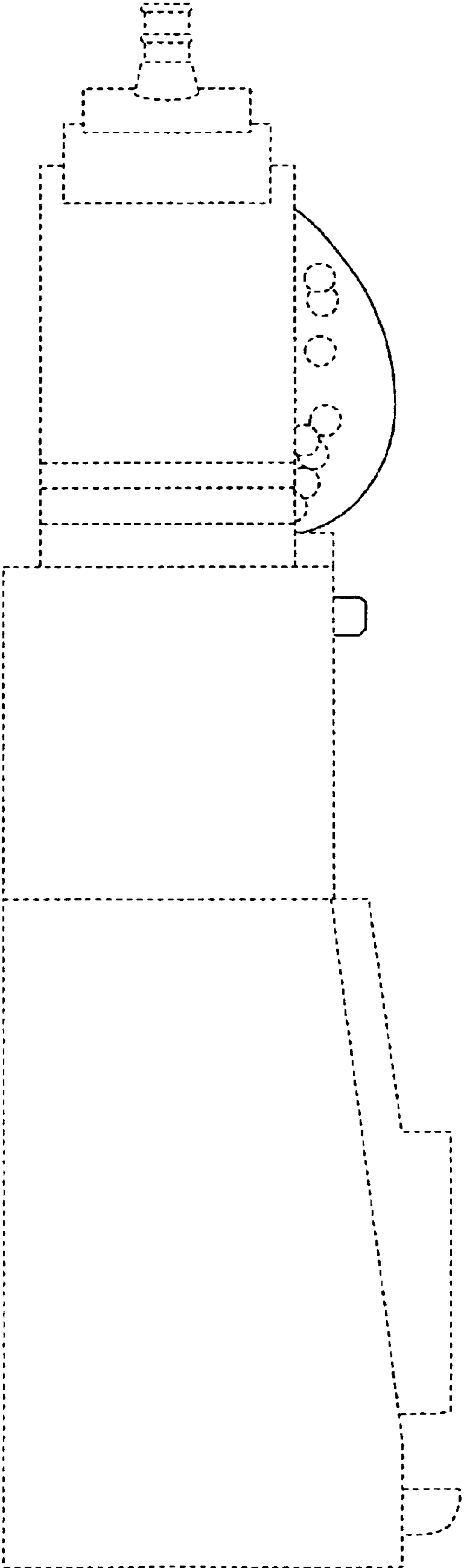


FIG. 4.

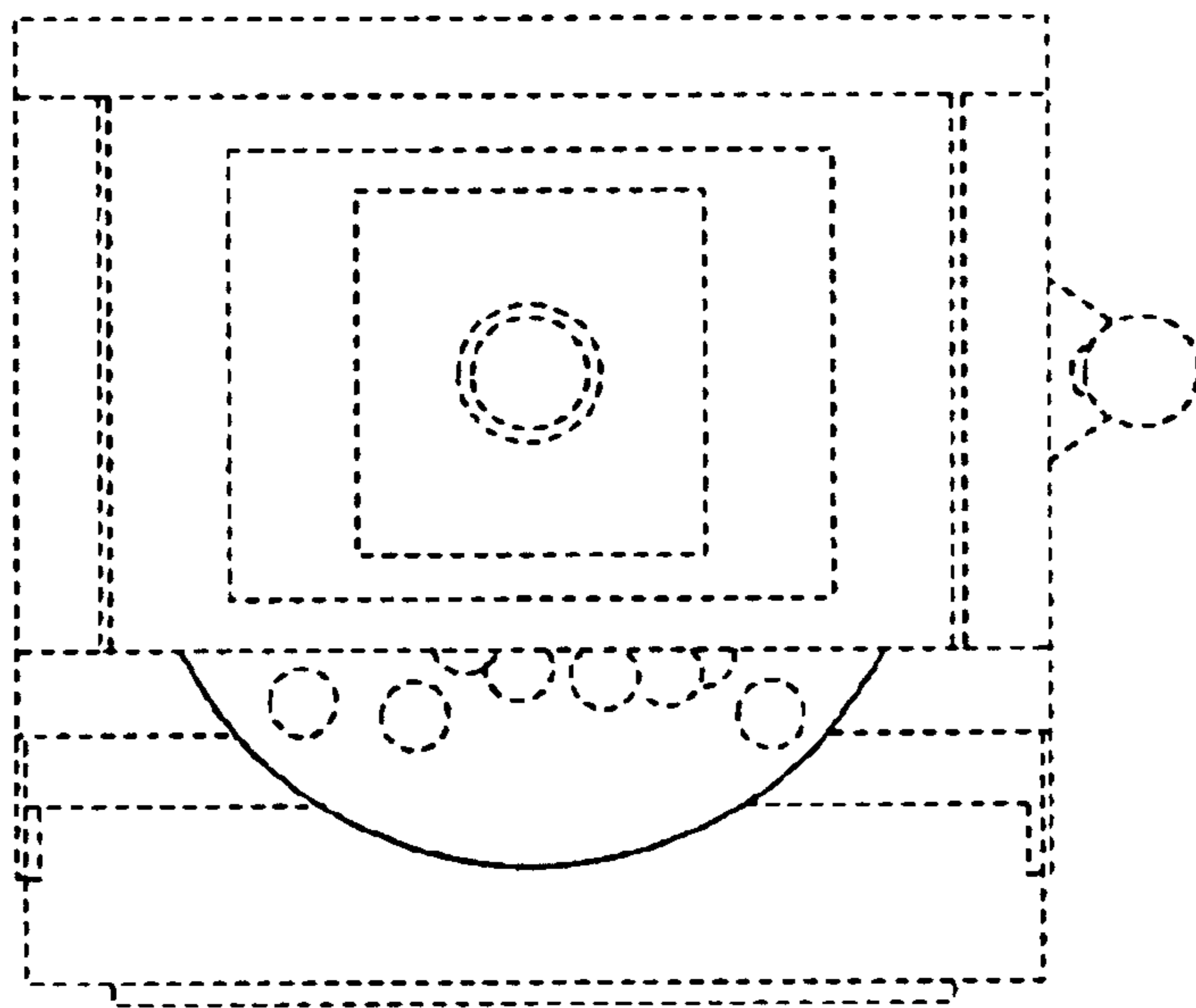


FIG. 5.