

US00D514166S

(12) **United States Design Patent**
Brinkman

(10) **Patent No.:** **US D514,166 S**

(45) **Date of Patent:** **** Jan. 31, 2006**

(54) **HINGED LABEL HOLDER**

(75) **Inventor:** **Michael E. Brinkman**, Belvedere, IL (US)

(73) **Assignee:** **Southern Imperial, Inc.**, IL (US)

(**) **Term:** **14 Years**

(21) **Appl. No.:** **29/214,968**

(22) **Filed:** **Oct. 12, 2004**

(51) **LOC (8) Cl.** **20-03**

(52) **U.S. Cl.** **D20/44**

(58) **Field of Classification Search** D6/410;
D8/300, 315, 316, 373; D20/10, 43, 44, 99;
40/316, 533, 603, 617, 642.01, 642.02, 649,
40/650, 653, 654.01, 661, 661.03, 661.05
See application file for complete search history.

(56) **References Cited**

U.S. PATENT DOCUMENTS

D221,854 S * 9/1971 Dowdell D23/373

D425,939 S * 5/2000 Kump et al. D20/43
D454,163 S * 3/2002 Nagel D20/43
D470,893 S * 2/2003 Valiulis et al. D20/44

* cited by examiner

Primary Examiner—Robert M. Spear

(74) *Attorney, Agent, or Firm*—David I. Roche; Baker & McKenzie LLP

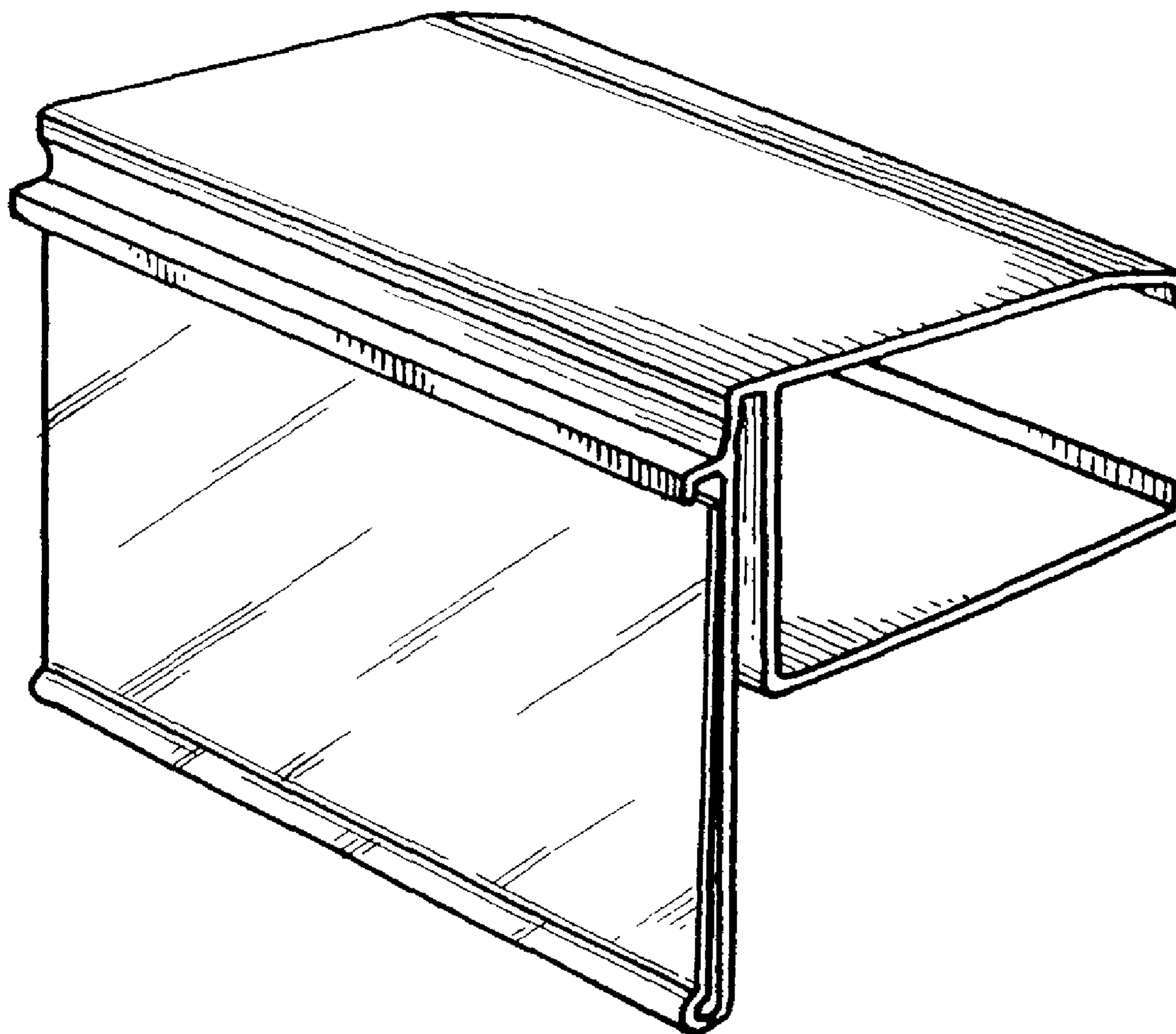
(57) **CLAIM**

The ornamental design for a hinged label holder, as shown and described.

DESCRIPTION

FIG. 1 is a perspective view of a hinged label holder embodying my invention;
FIG. 2 is a right side view thereof, the left side being a mirror image;
FIG. 3 is a front view thereof;
FIG. 4 is a rear view thereof;
FIG. 5 is a top view thereof; and,
FIG. 6 is a bottom view thereof.

1 Claim, 1 Drawing Sheet



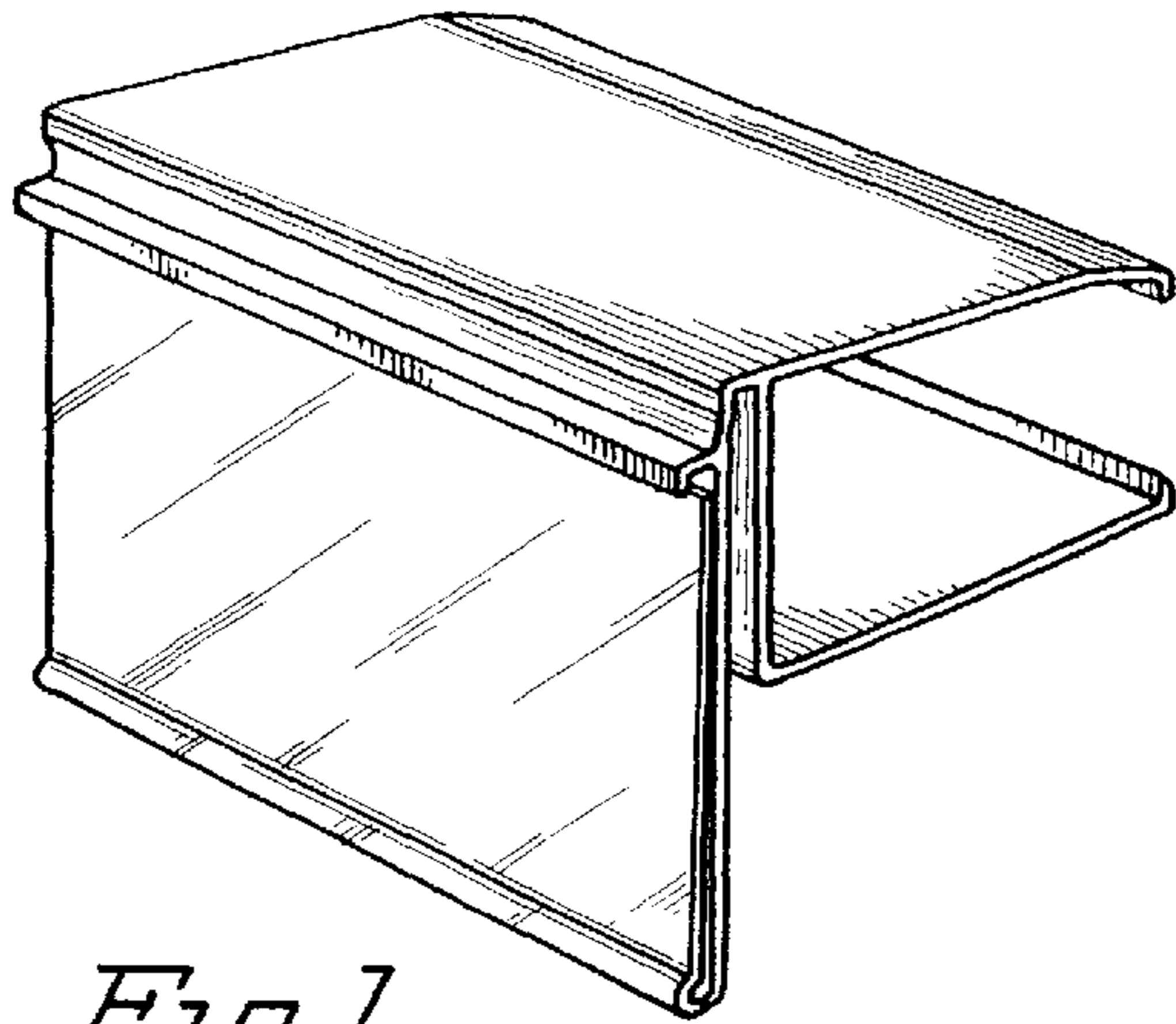


Fig 1

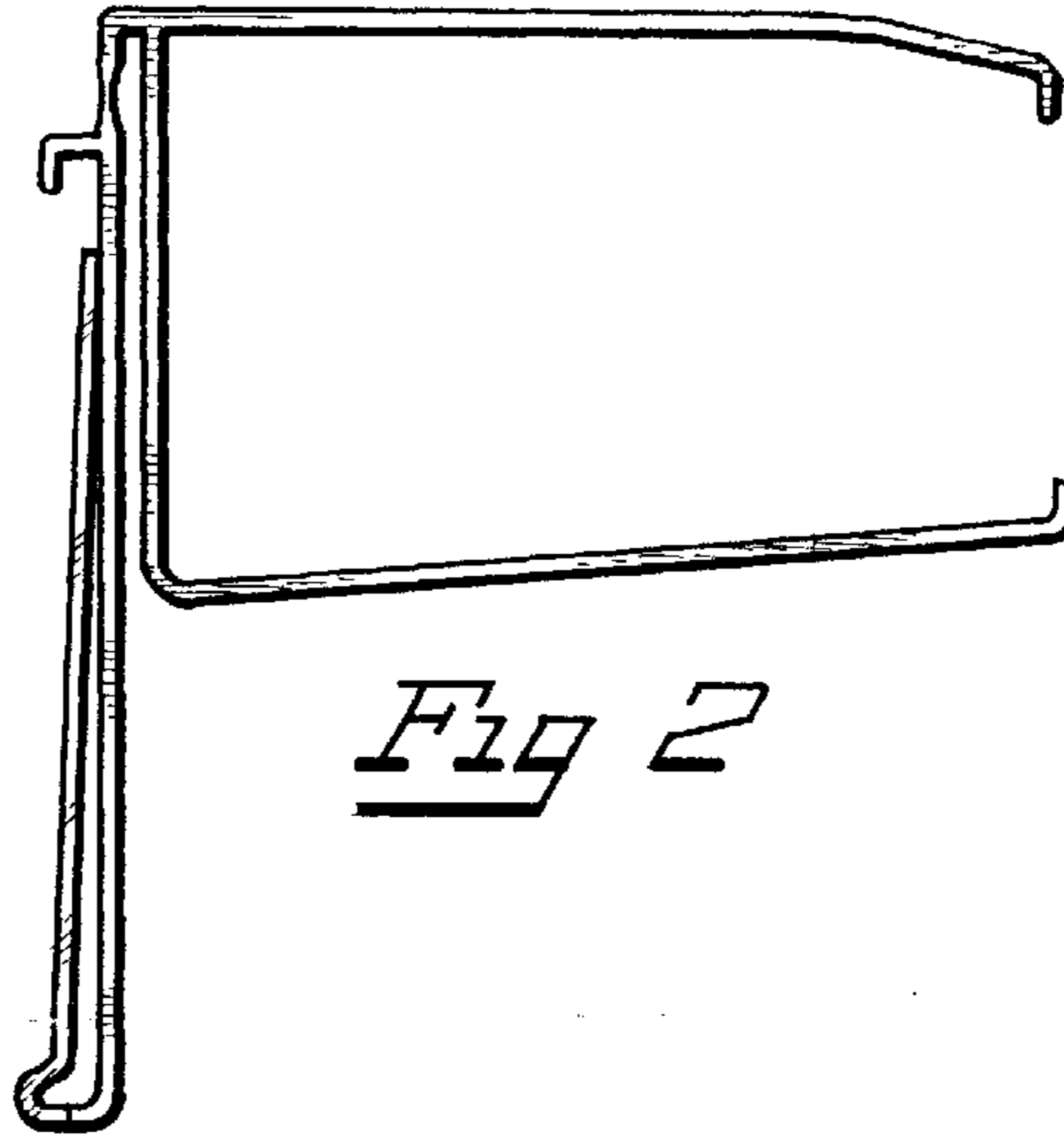


Fig 2

Fig 3

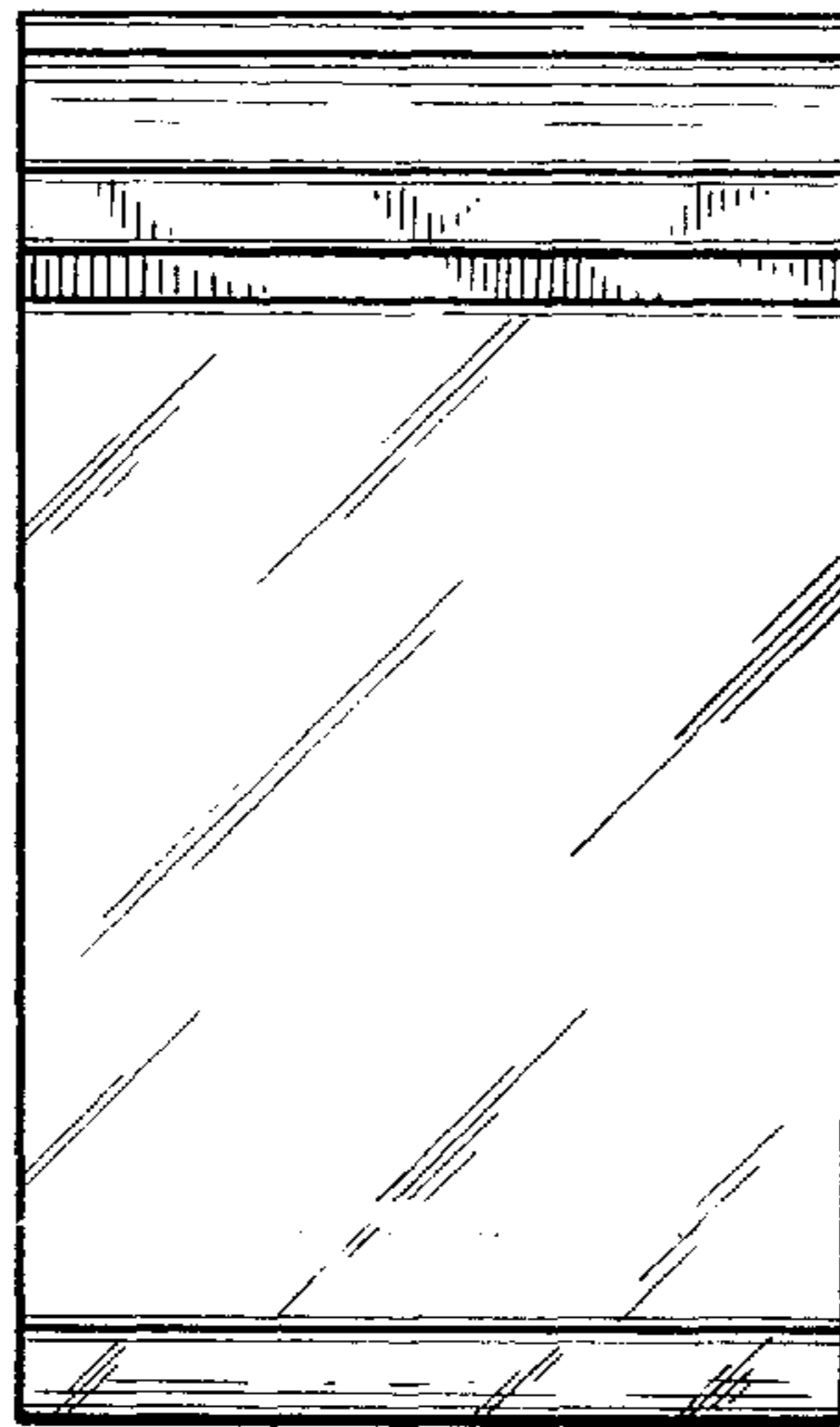


Fig 4

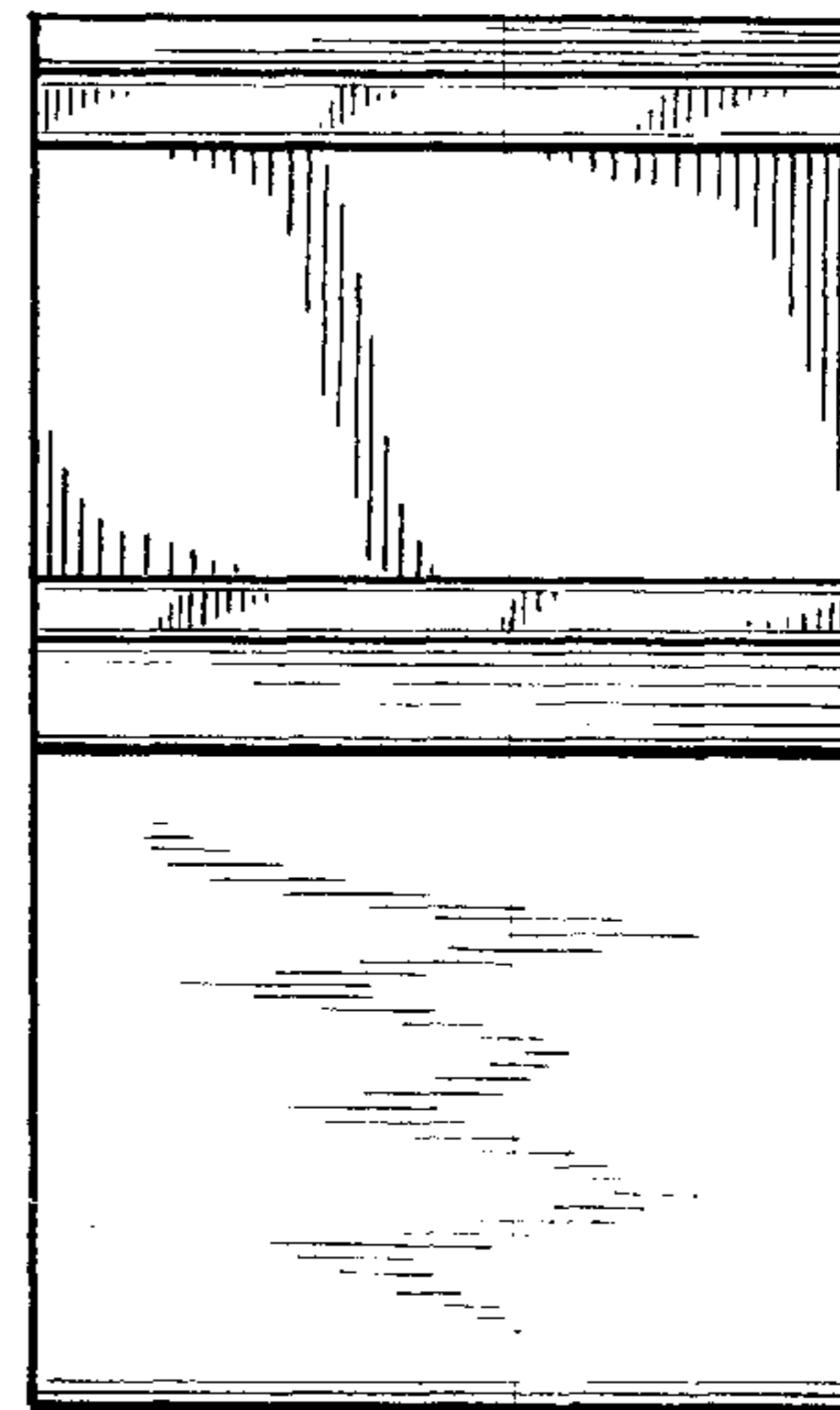


Fig 5

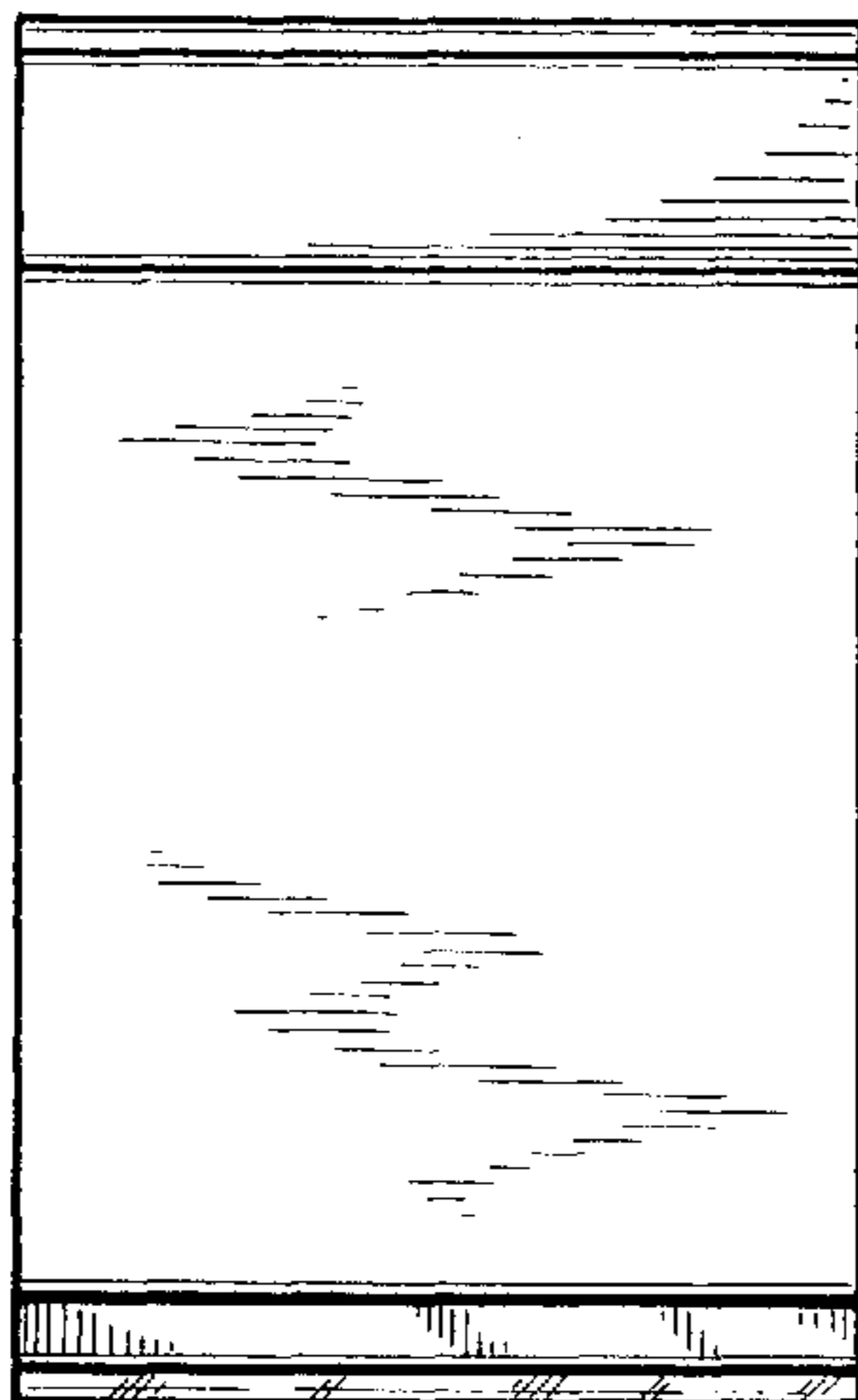


Fig 6

