



US00D514154S

(12) **United States Design Patent** (10) **Patent No.:** **US D514,154 S**
Arena et al. (45) **Date of Patent:** **** Jan. 31, 2006**

(54) **MANUAL LABELING MACHINE**

(75) Inventors: **Giorgio Arena**, Frosinone (IT); **Mario Cazzaro**, Mestre (IT)

(73) Assignee: **Open Data S.r.l.**, Anangi (IT)

(**) Term: **14 Years**

(21) Appl. No.: **29/189,299**

(22) Filed: **Aug. 28, 2003**

(30) **Foreign Application Priority Data**

Feb. 28, 2003 (IT) RM2003O000048

(51) **LOC (8) Cl.** **18-99**

(52) **U.S. Cl.** **D18/19**

(58) **Field of Classification Search** D18/15-19,
D18/50, 53, 99; 101/31.1, 28, 499, DIG. 49;
400/134.4, 13, 134.6; 156/220, 219, 361
See application file for complete search history.

(56) **References Cited**

U.S. PATENT DOCUMENTS

- D268,596 S * 4/1983 Beers D18/19
- D269,525 S * 6/1983 Reinke D18/19
- D269,527 S * 6/1983 Becker D18/19

- D272,365 S * 1/1984 Becker et al. D18/19
- 4,453,999 A * 6/1984 Holland-Letz 156/361
- D278,832 S * 5/1985 Wada D8/14
- D315,920 S * 4/1991 Hermann D18/19
- D316,105 S * 4/1991 Hermann D18/19
- D347,238 S * 5/1994 Patzak D18/19
- D365,597 S * 12/1995 Patzak et al. D18/19

* cited by examiner

Primary Examiner—Charles A. Rademaker

(74) *Attorney, Agent, or Firm*—Young & Thompson

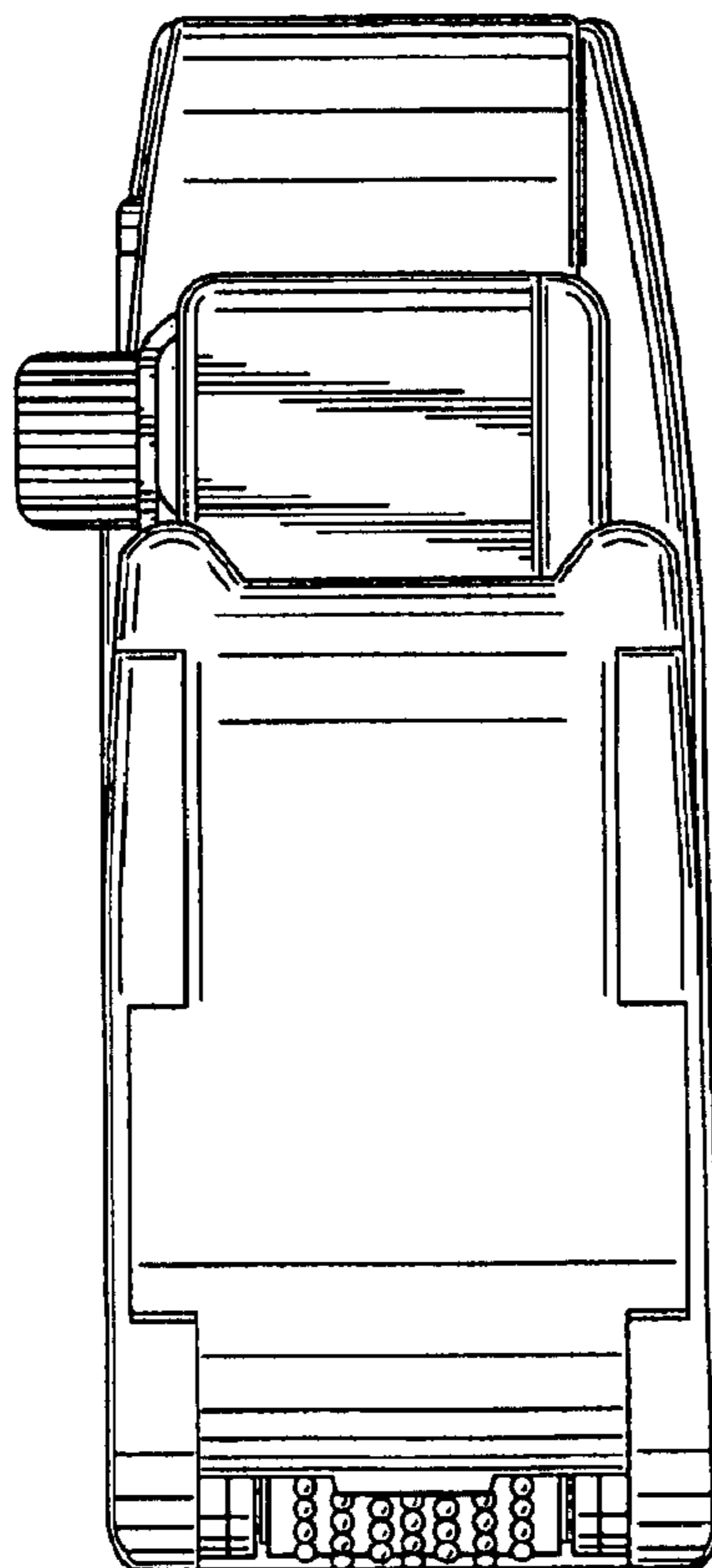
(57) **CLAIM**

The ornamental design for a manual labeling machine, as shown.

DESCRIPTION

FIG. 1 is a front elevational view of a manual labeling machine showing our new design;
 FIG. 2 is a side elevational view thereof from the right of FIG. 1;
 FIG. 3 is a side elevational view thereof from the left of FIG. 1;
 FIG. 4 is a rear elevational view thereof;
 FIG. 5 is a top plan view thereof; and,
 FIG. 6 is a bottom plan view thereof.

1 Claim, 6 Drawing Sheets



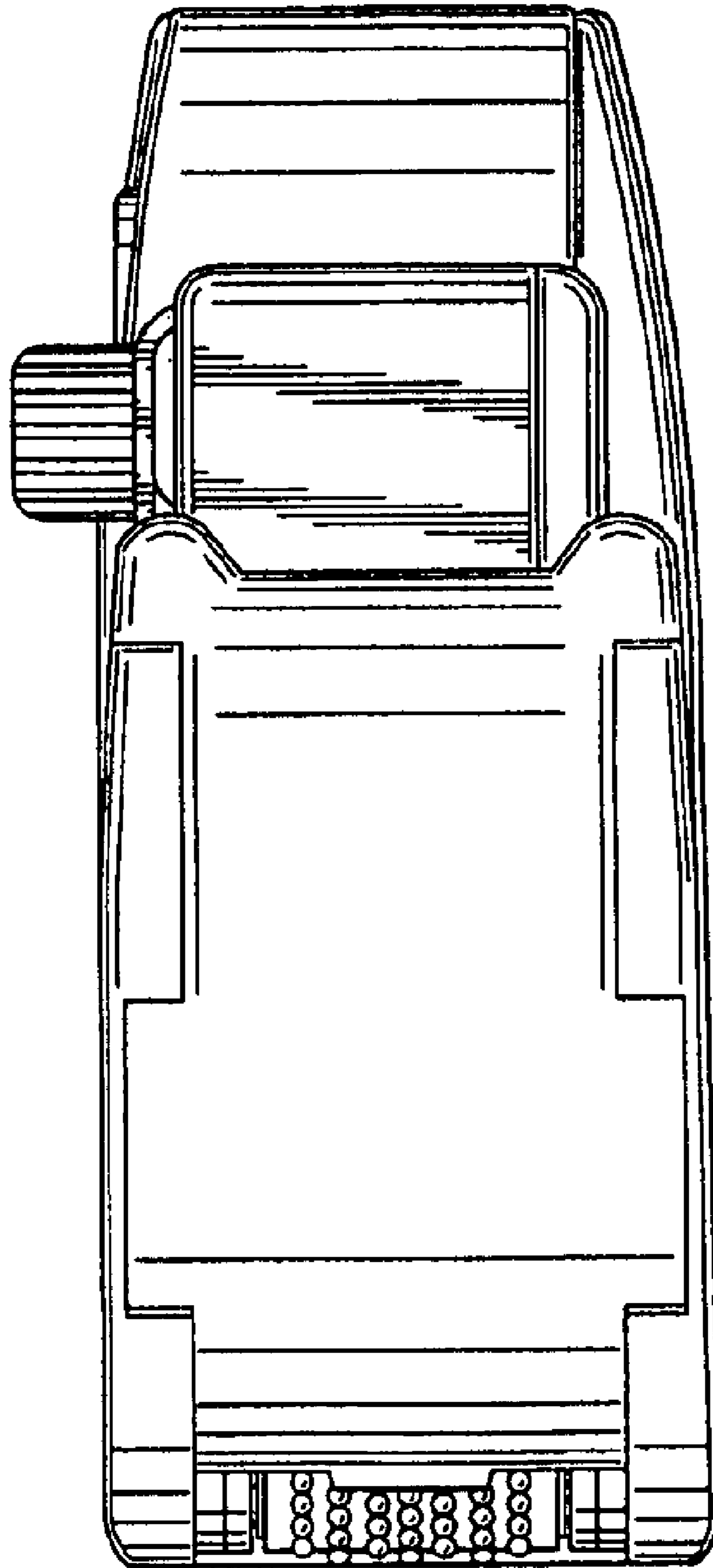


FIG. 1

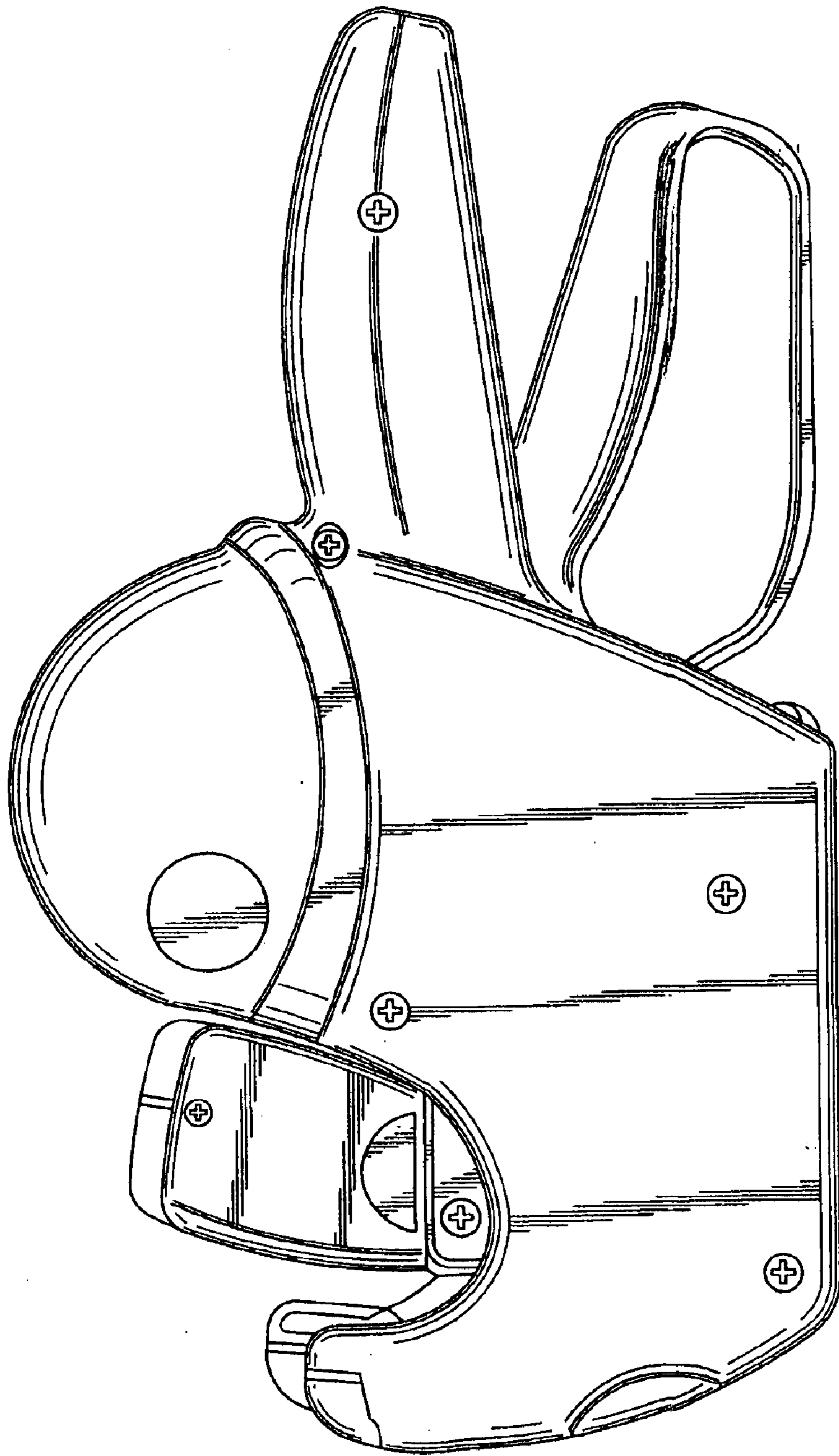


FIG. 2

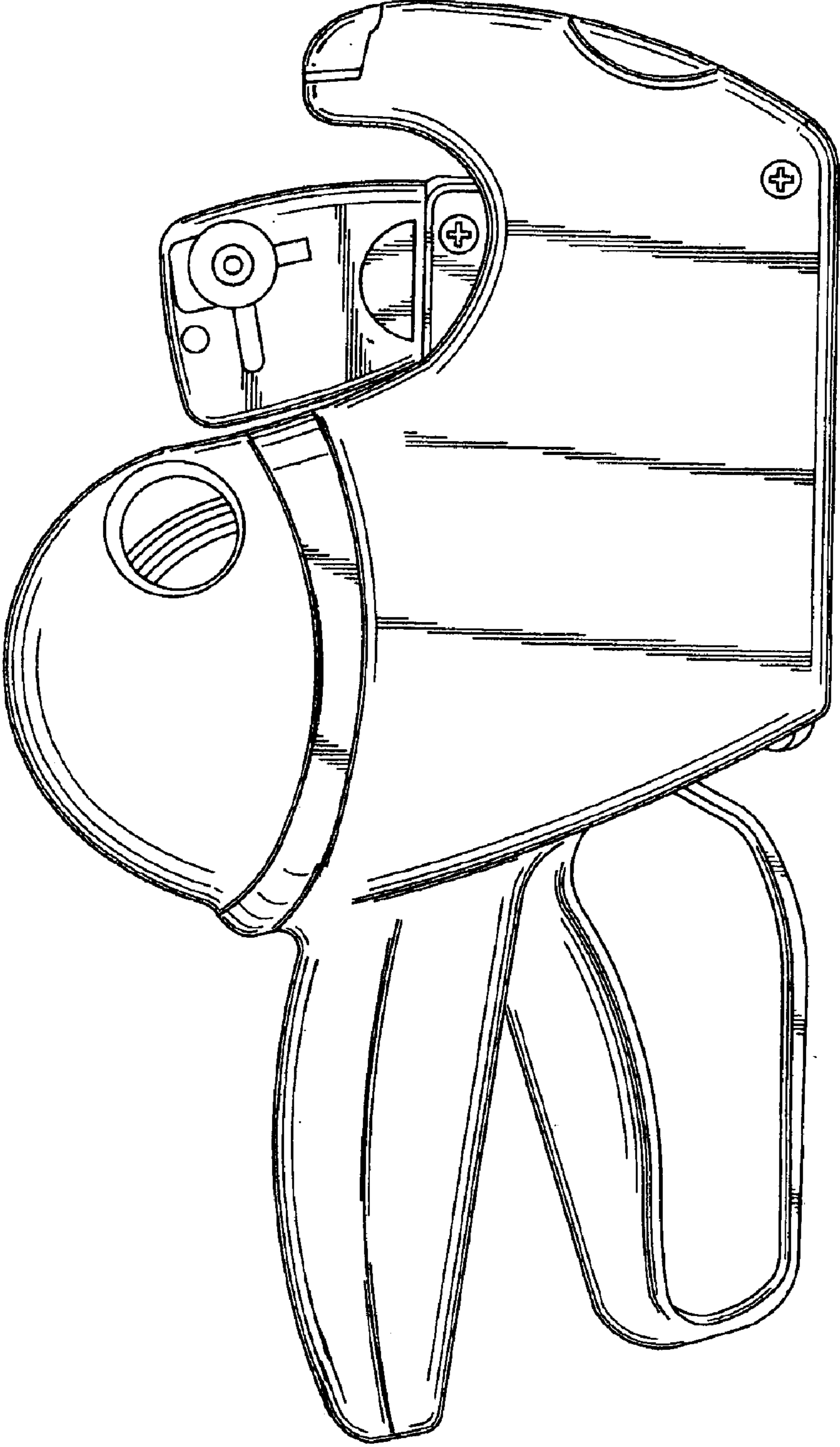


FIG. 3

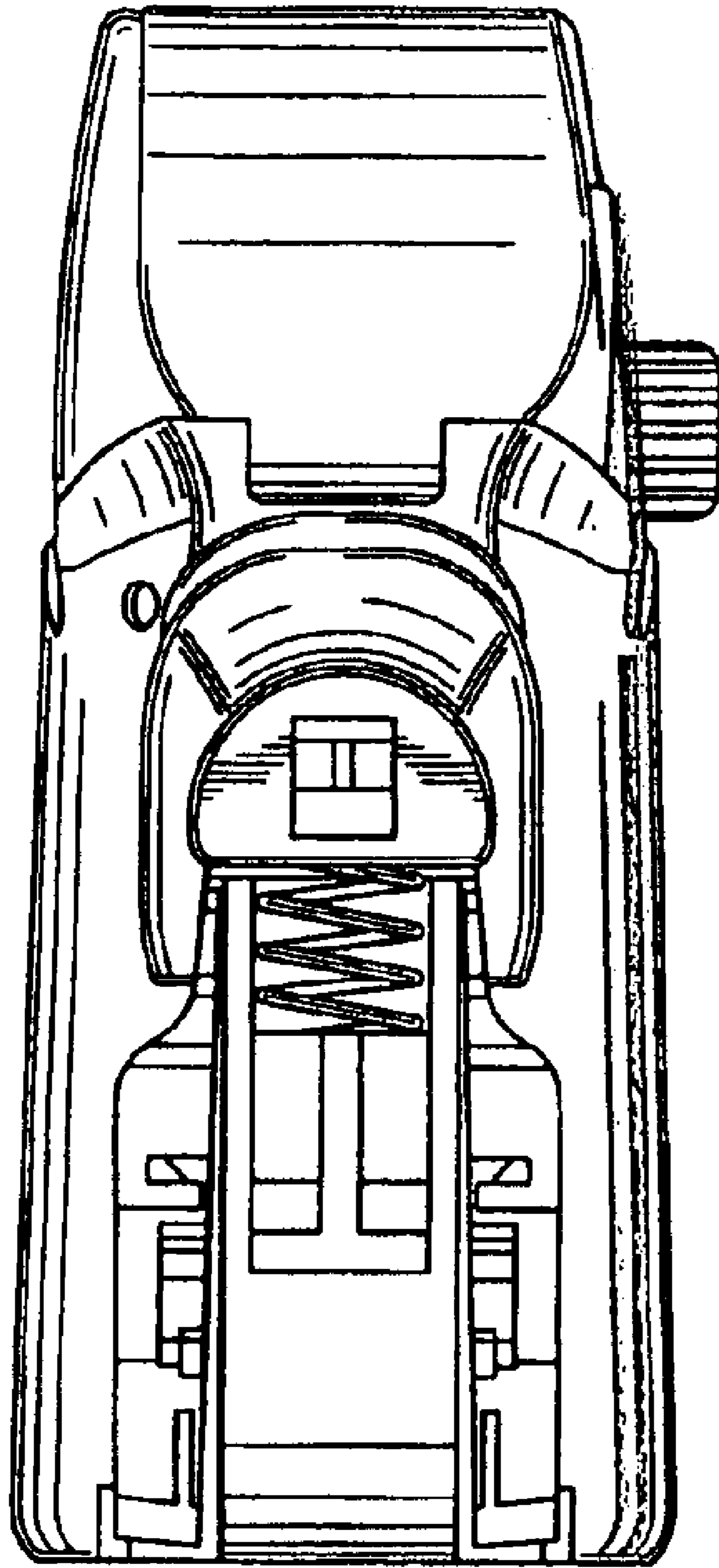


FIG. 4

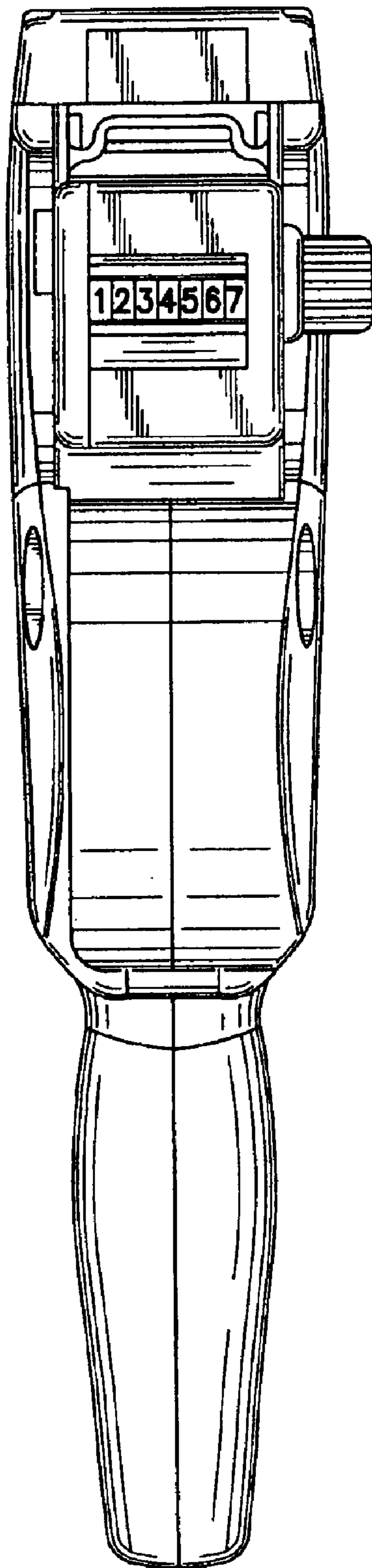


FIG. 5

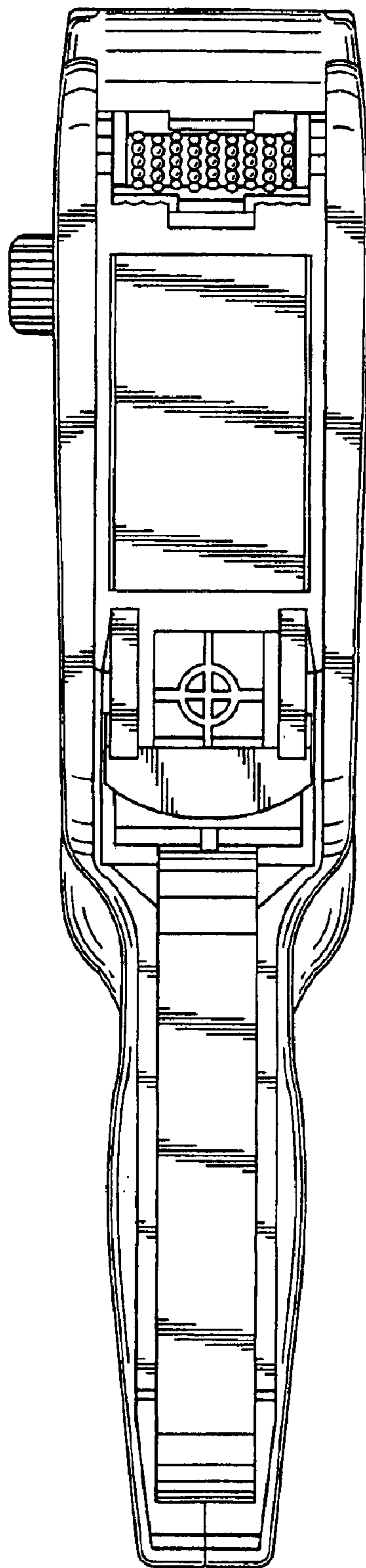


FIG. 6