

US00D514151S

(12) **United States Design Patent**
Fowler, Jr.

(10) **Patent No.:** **US D514,151 S**
(45) **Date of Patent:** **** Jan. 31, 2006**

(54) **REMOVABLE FIFTH STRING CAPO FOR A BANJO**

Primary Examiner—Adir Aronovich

(76) **Inventor:** **Earl J. Fowler, Jr.**, 533 Sunset Dr.,
Asheville, NC (US) 28804

(74) *Attorney, Agent, or Firm—Carter, Schnedler & Monteith, P.A.*

(**) **Term:** **14 Years**

(57) **CLAIM**

(21) **Appl. No.:** **29/194,625**

The ornamental design for a removable fifth string capo for a banjo, as shown and described.

(22) **Filed:** **Nov. 25, 2003**

DESCRIPTION

(51) **LOC (8) Cl.** **17-03**

(52) **U.S. Cl.** **D17/20; D17/21**

(58) **Field of Classification Search** **D17/14,**
D17/20, 21, 99; 84/300, 308, 318

See application file for complete search history.

FIG. 1 is a top perspective view of a removable fifth string capo for a banjo, showing my new design;
FIG. 2 is a top plan view thereof;
FIG. 3 is a bottom plan view thereof;
FIG. 4 is a side elevation view thereof;
FIG. 5 is a front elevation view thereof;
FIG. 6 is a rear elevation view thereof; and,
FIG. 7 is a top plan view of a removable fifth string capo for a banjo showing my new design with the banjo being shown by broken lines, which are for illustrative purposes only and forming no part of the claim.

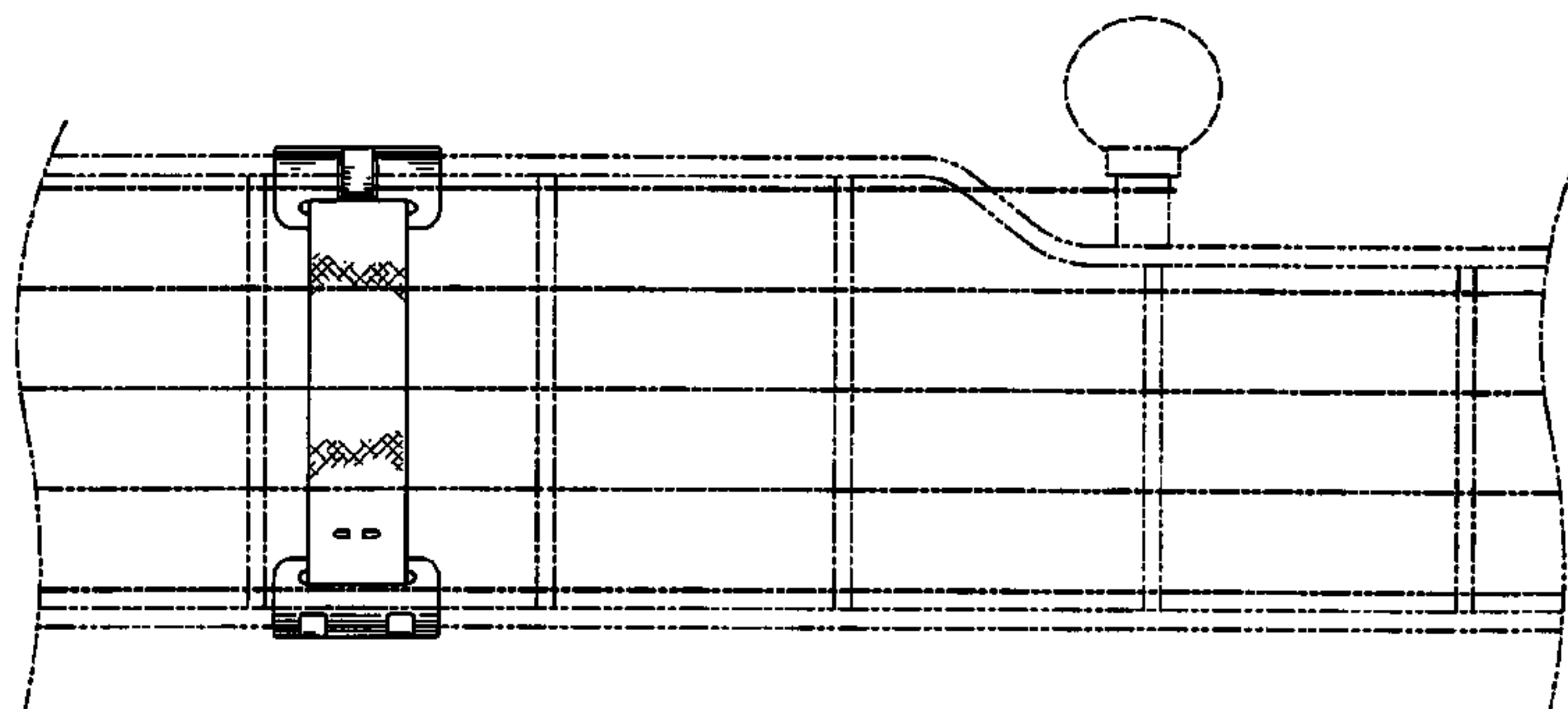
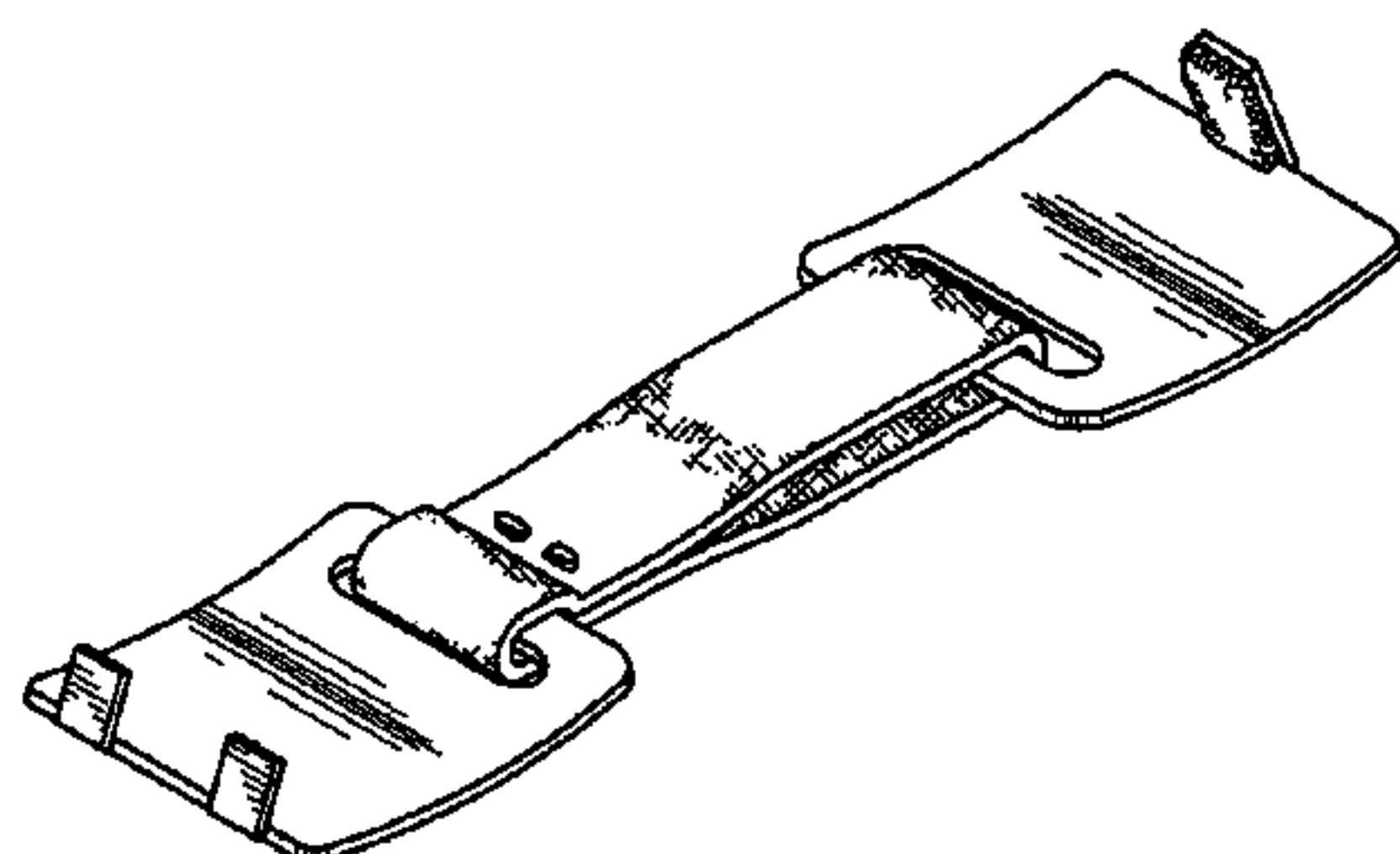
(56) **References Cited**

U.S. PATENT DOCUMENTS

3,329,055	A *	7/1967	Milliken	84/318
D270,918	S *	10/1983	Williamson et al.	D17/20
D355,668	S	2/1995	Reagan	D17/21
6,107,554	A *	8/2000	Riddle	84/300
6,573,440	B1 *	6/2003	Rodriguez	84/318

* cited by examiner

1 Claim, 4 Drawing Sheets



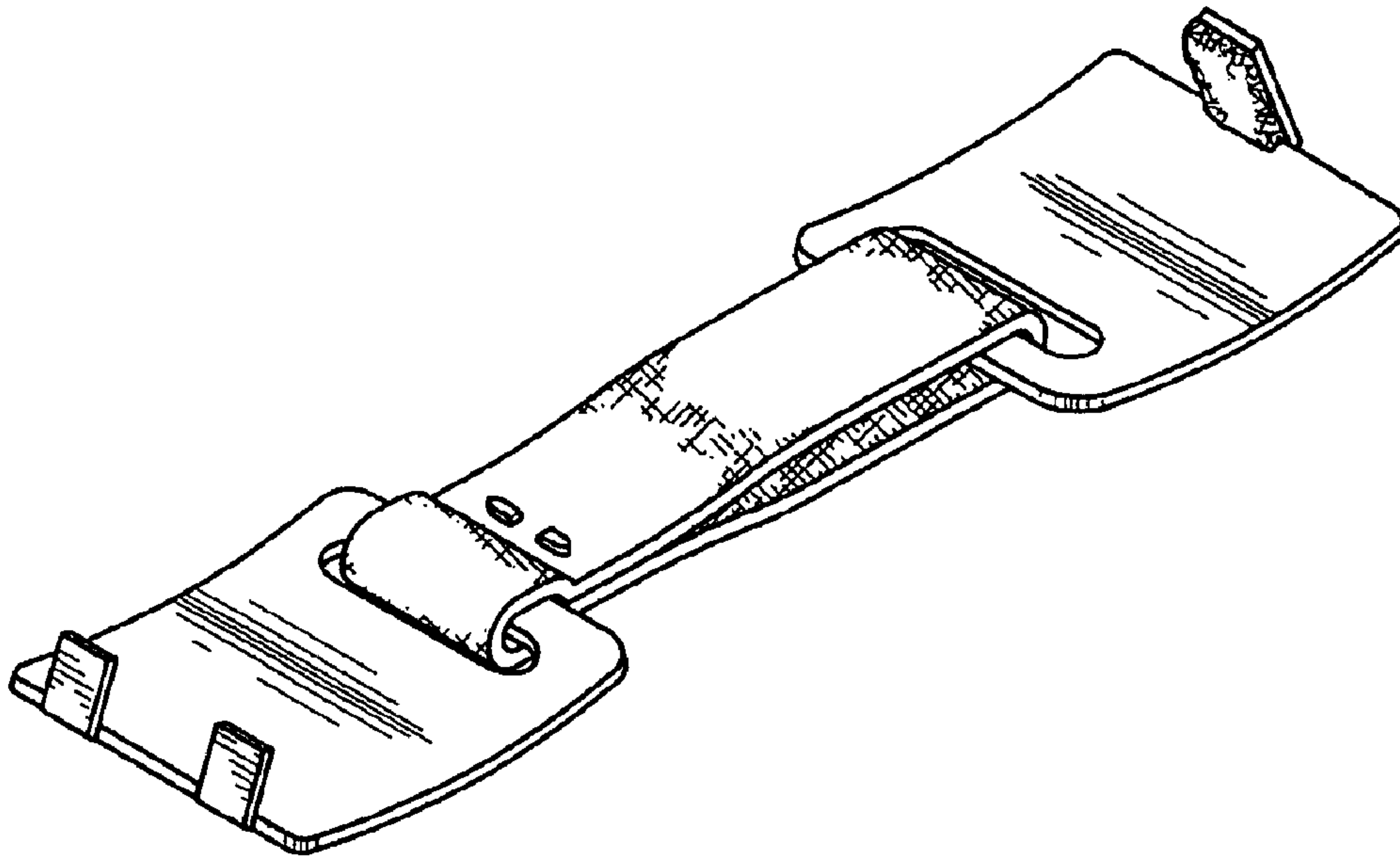


Fig. 1



Fig. 4

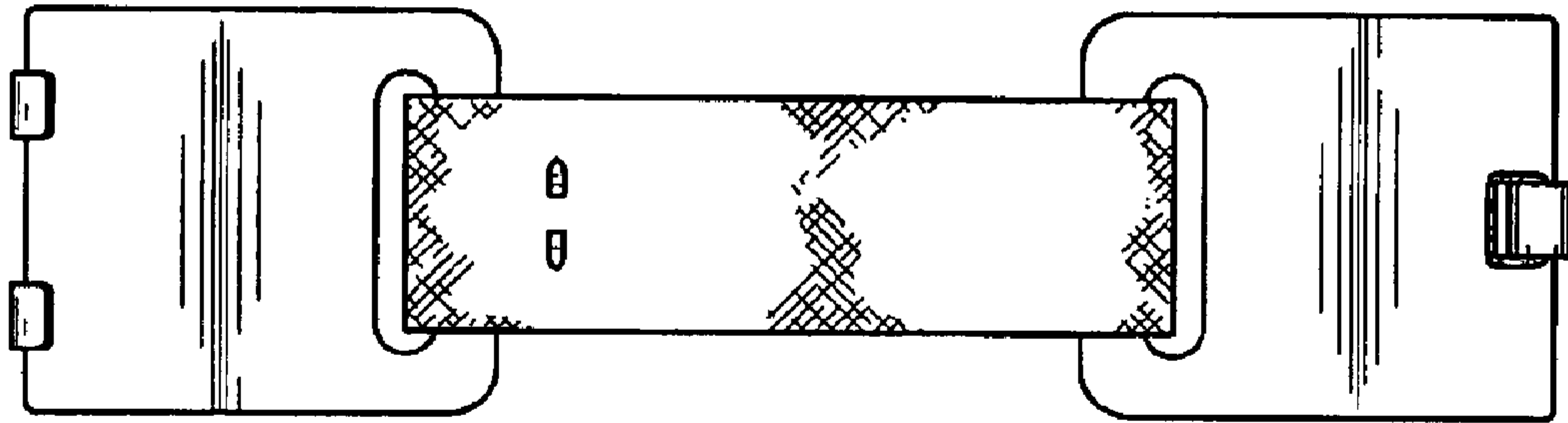


Fig. 2

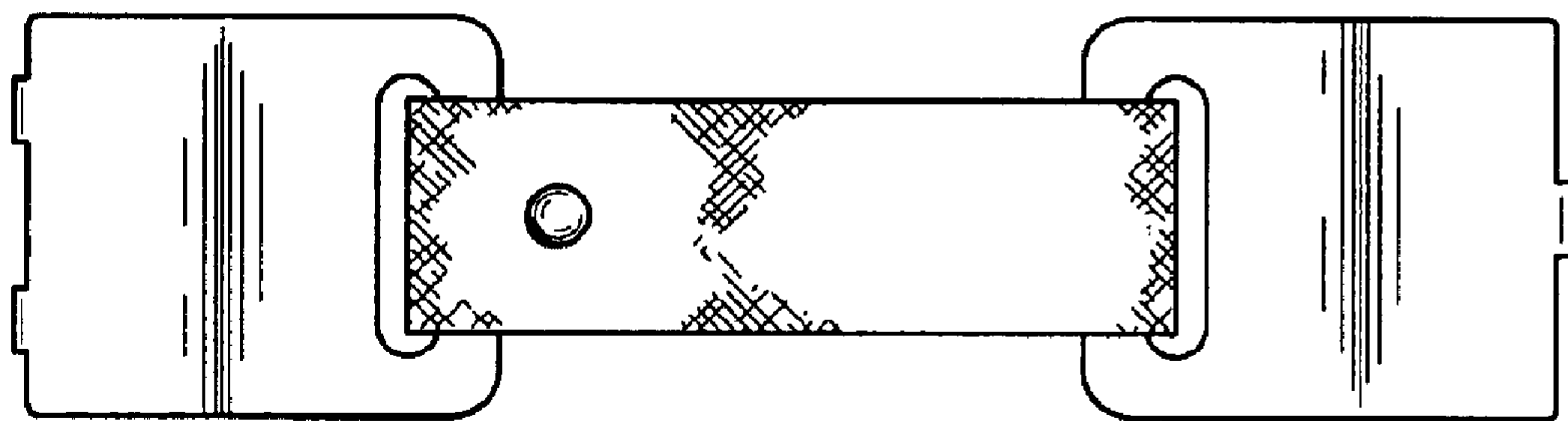


Fig. 3

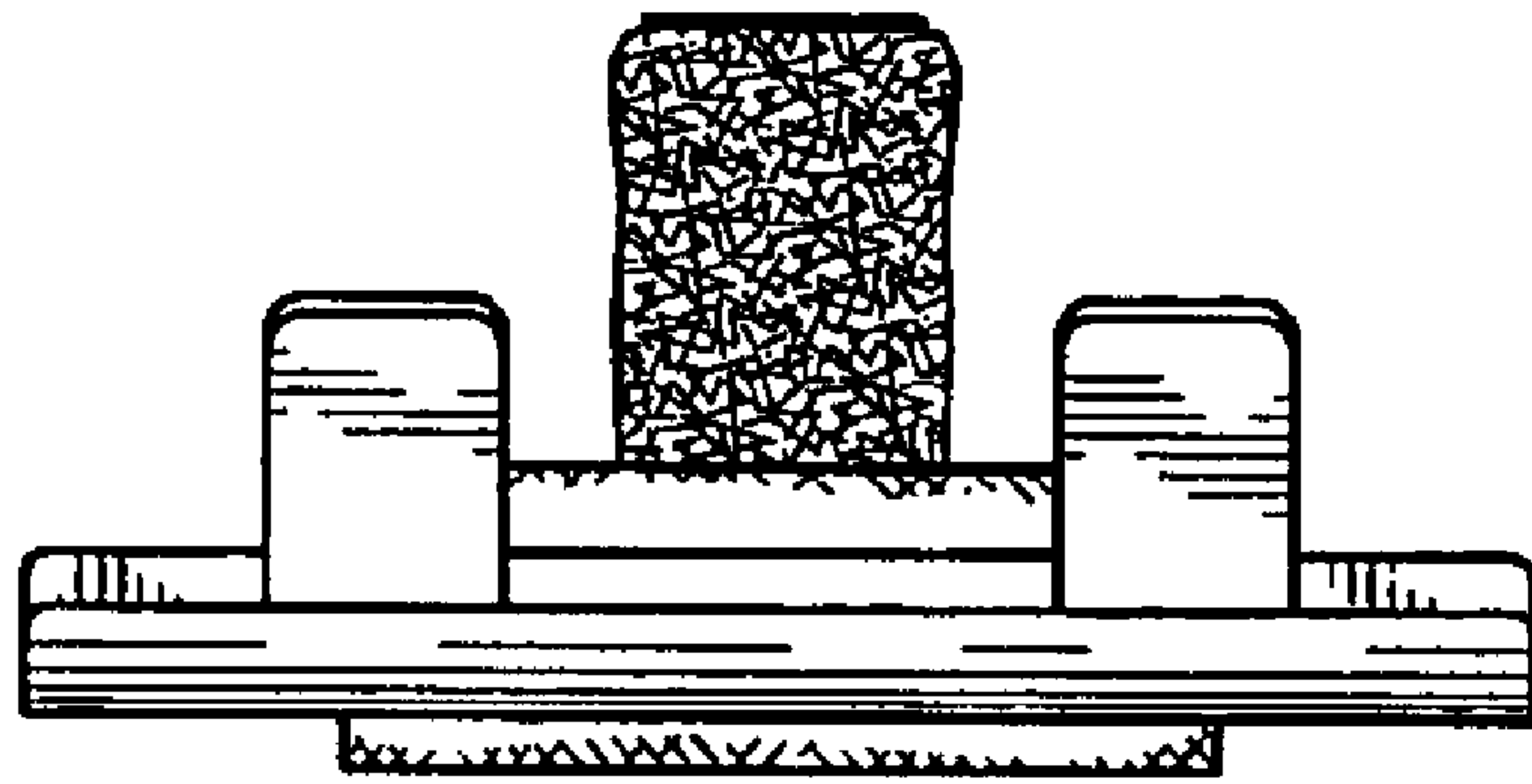


Fig. 5

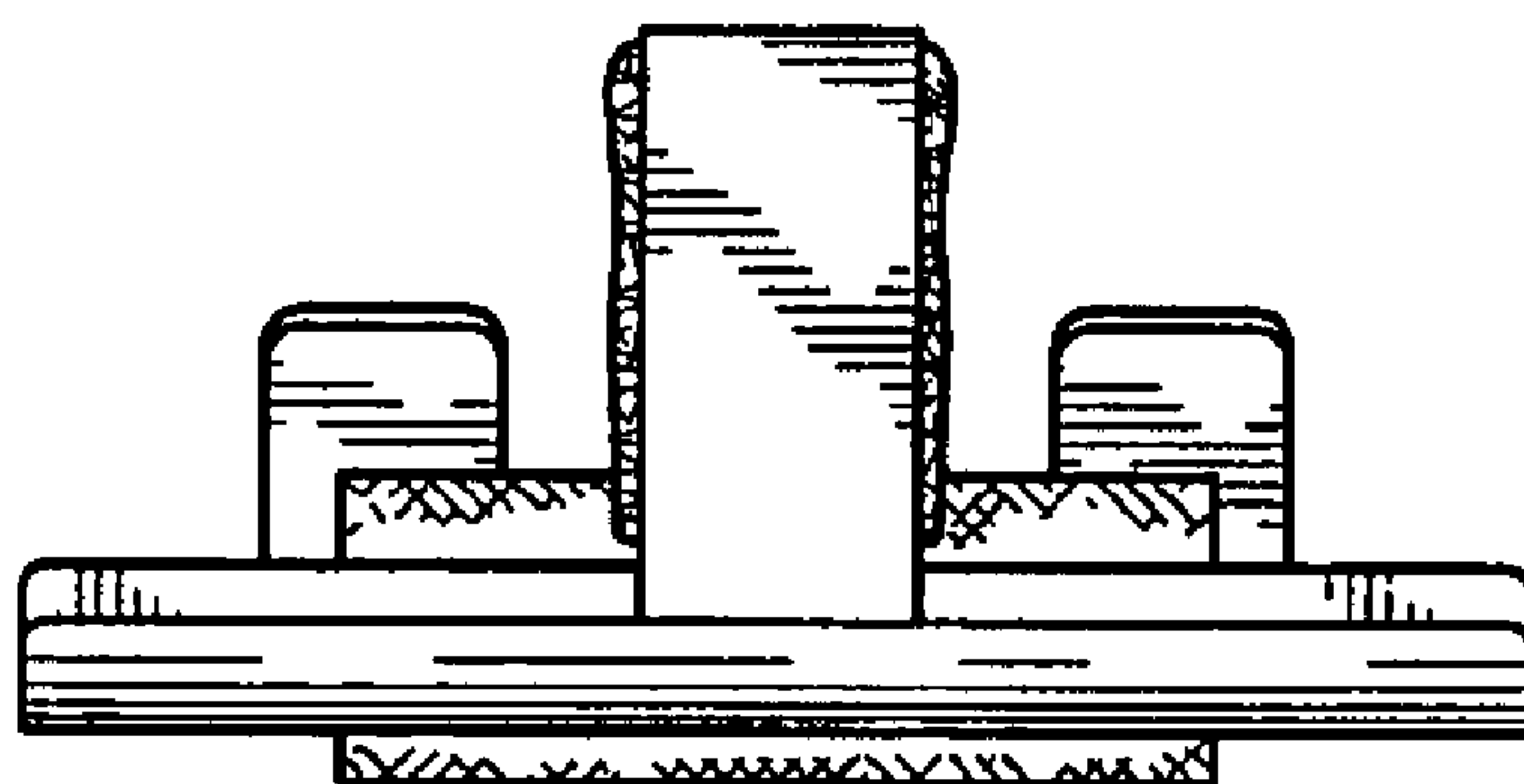


Fig. 6

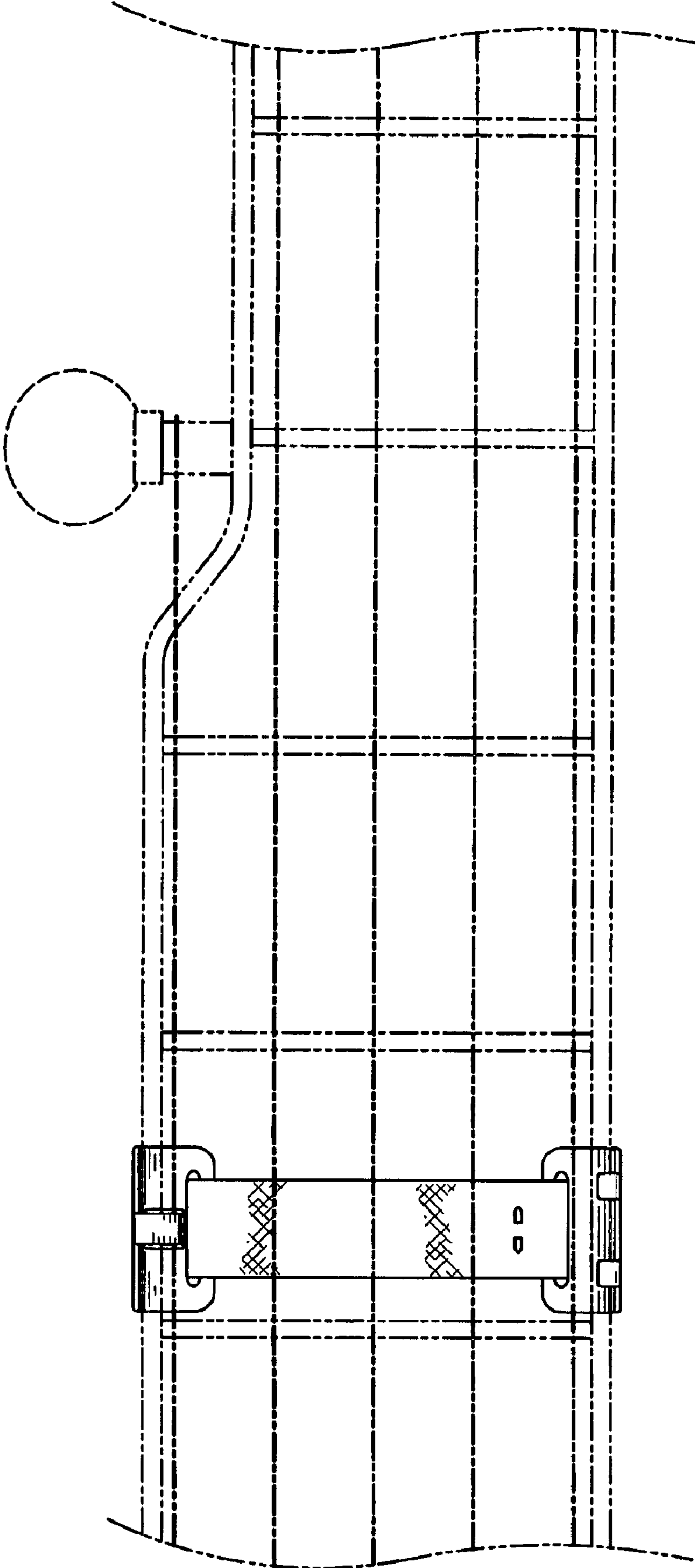


Fig. 7