



US00D514146S

(12) **United States Design Patent**  
**Haneball**

(10) **Patent No.:** **US D514,146 S**  
(45) **Date of Patent:** **\*\* Jan. 31, 2006**

(54) **DRIVE GEAR**

5,950,701 A \* 9/1999 Rogers ..... 160/177 V  
D458,284 S \* 6/2002 Landerholm et al. .... D15/143

(75) Inventor: **Frank Haneball**, Steinheim (DE)

\* cited by examiner

(73) Assignee: **Dewert Antriebs- und Systemtechnik GmbH & Co. KG** (DE)

*Primary Examiner*—Robert M. Spear  
*Assistant Examiner*—Maurice Stevens

(\*\*) Term: **14 Years**

(74) *Attorney, Agent, or Firm*—Gauthier & Connors LLP

(21) Appl. No.: **29/191,360**

(57) **CLAIM**

(22) Filed: **Oct. 2, 2003**

The ornamental design for a drive gear, as shown and described.

(30) **Foreign Application Priority Data**

**DESCRIPTION**

Apr. 2, 2003 (DE) ..... 4 03 02 704

FIG. 1 is a front perspective view of a drive gear, showing my new design;

(51) **LOC (8) Cl.** ..... **15-09**

FIG. 2 is a front elevational view;

(52) **U.S. Cl.** ..... **D15/143**

FIG. 3 is a right side elevational view thereof on a larger scale;

(58) **Field of Classification Search** ..... D15/1-5,

D15/143, 199; D13/118; D6/500-502; 74/90.15, 74/490.09, 411.5; 310/20.8; 297/325, 327

See application file for complete search history.

FIG. 4 is a left side elevational view thereof on a larger scale;

FIG. 5 is a rear elevational view thereof;

FIG. 6 is a top plan view thereof;

FIG. 7 is a bottom plan view; and,

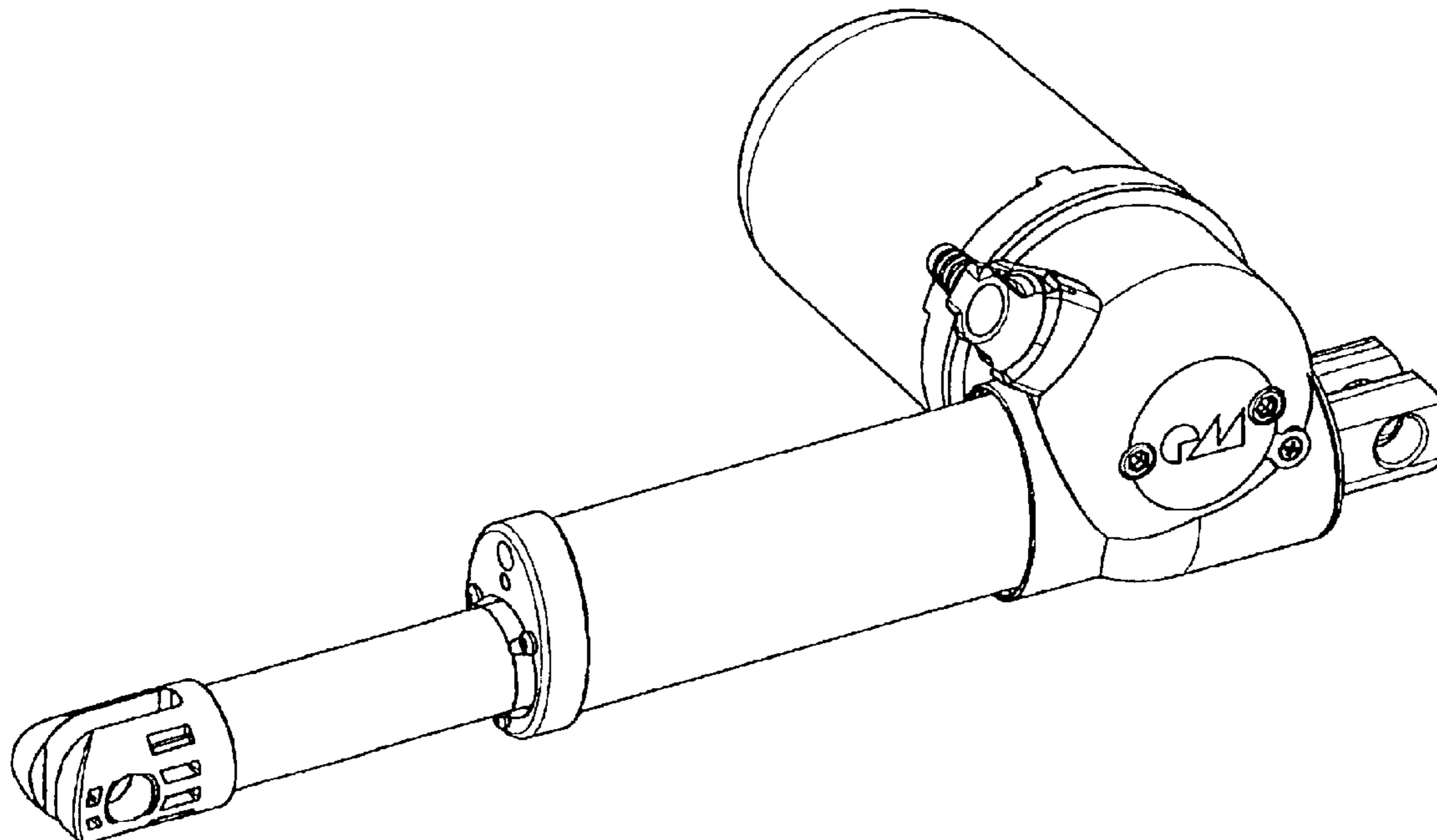
FIG. 8 is a rear perspective view.

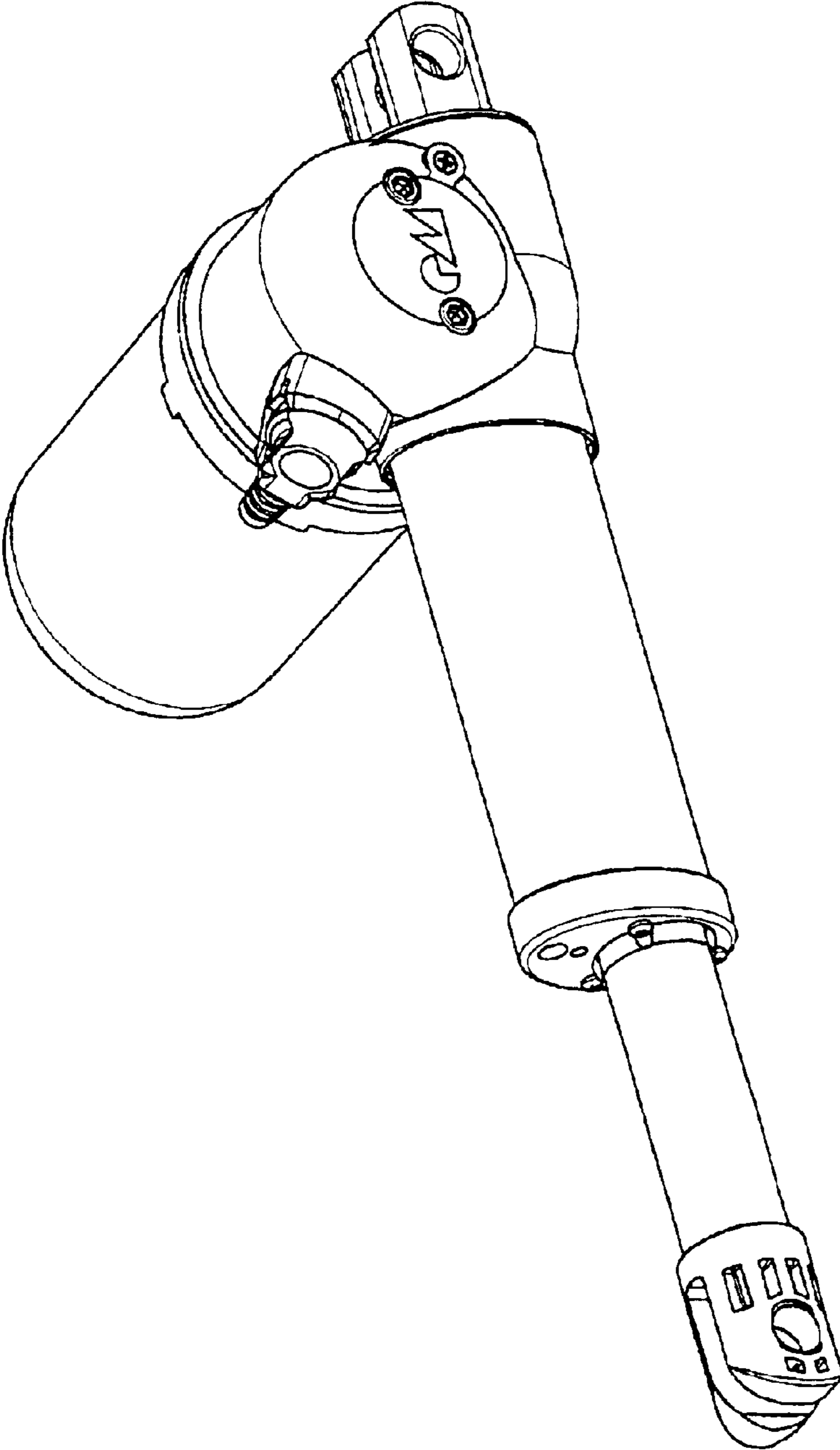
(56) **References Cited**

**U.S. PATENT DOCUMENTS**

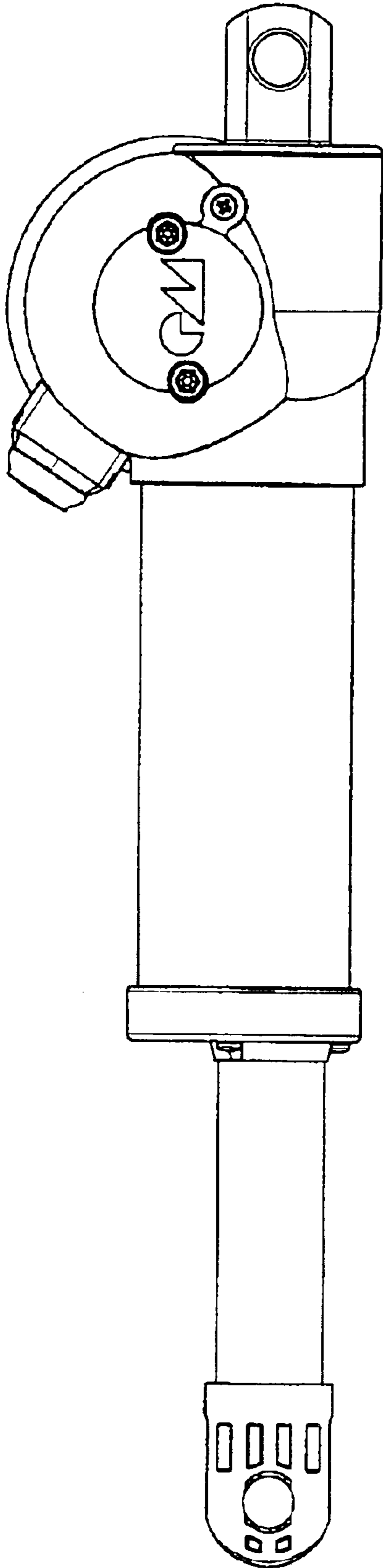
2,826,096 A \* 3/1958 Hoge ..... 74/661  
D307,282 S \* 4/1990 Suica et al. .... D15/199

**1 Claim, 8 Drawing Sheets**

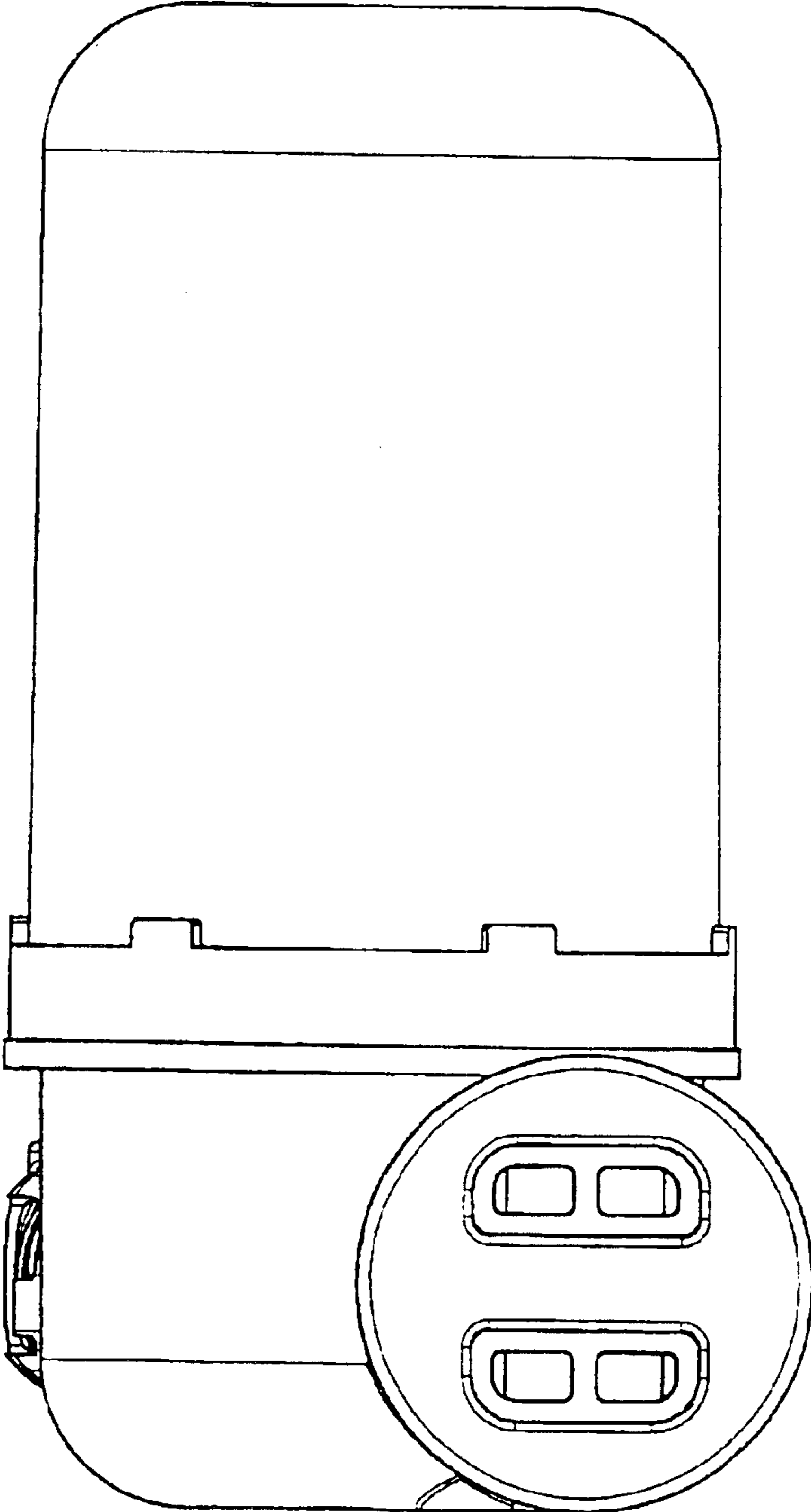




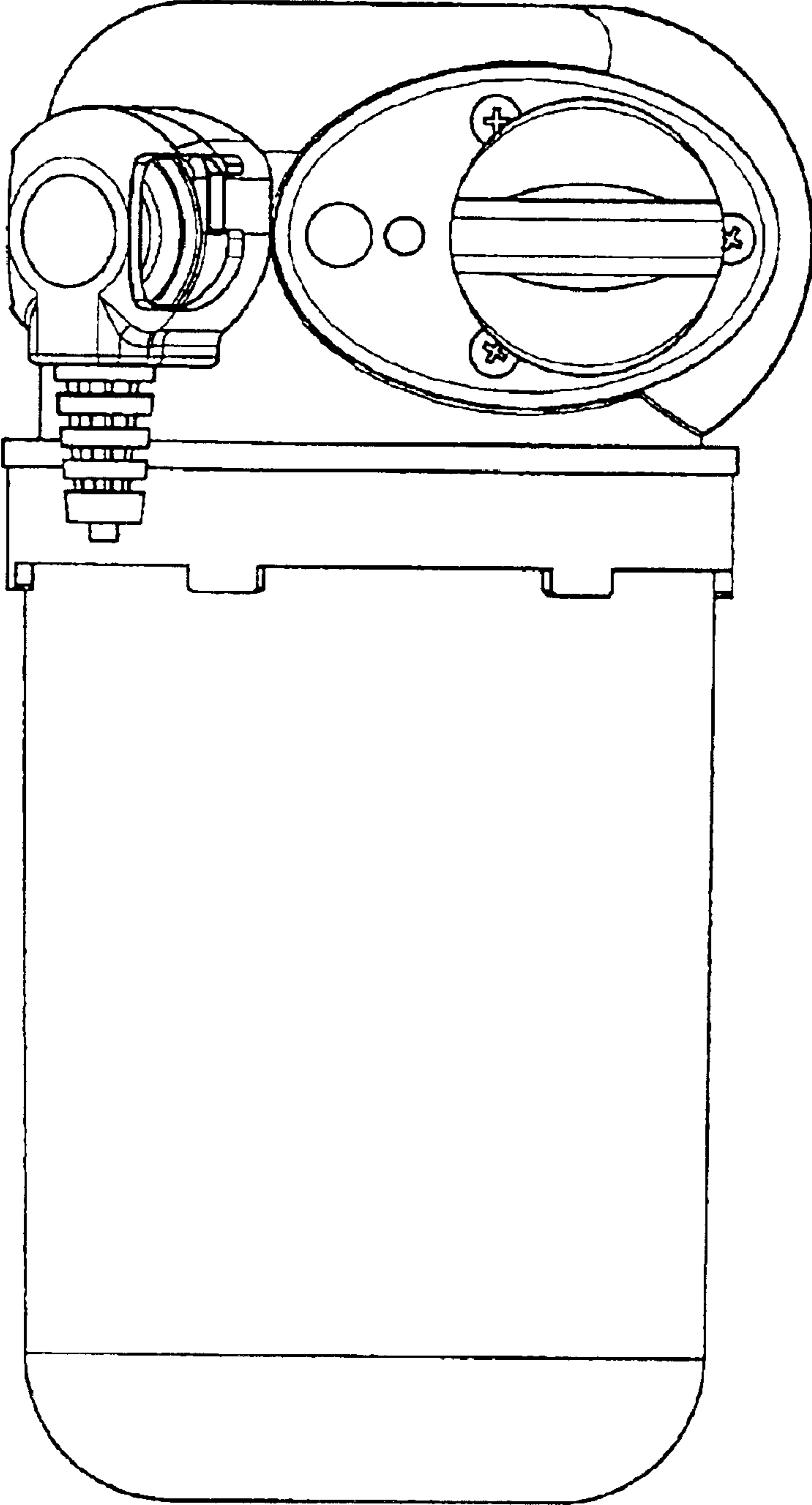
**FIG. 1**



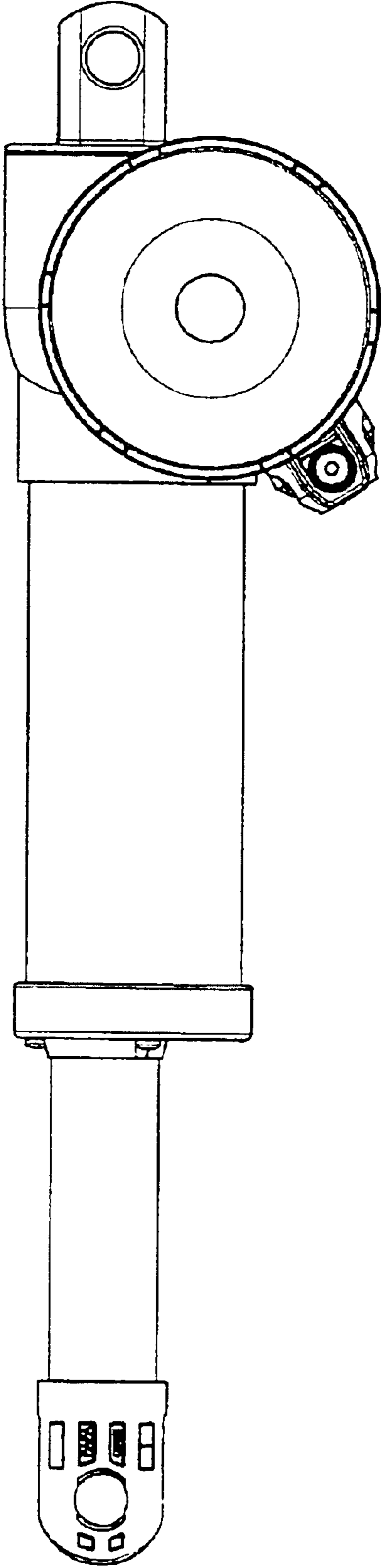
**FIG. 2**



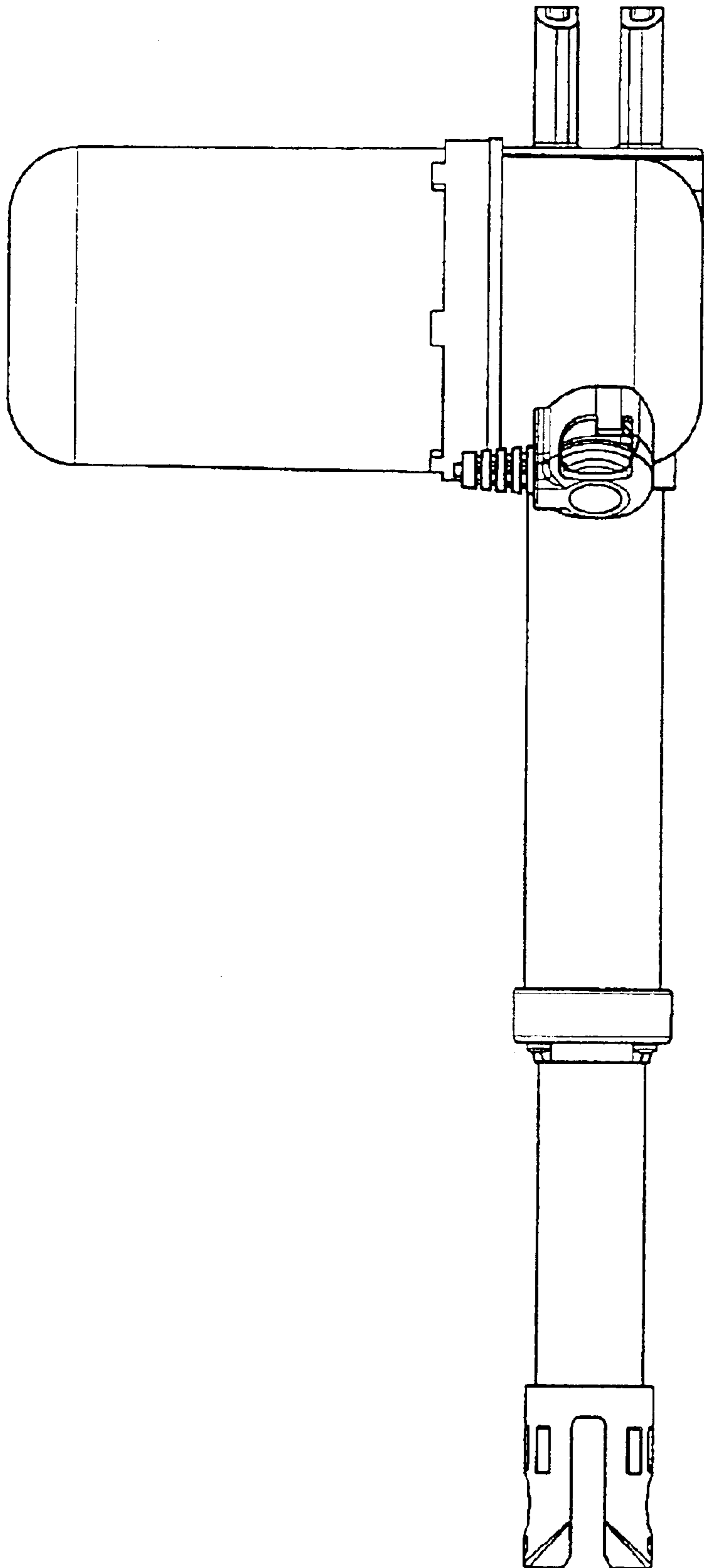
**FIG. 3**



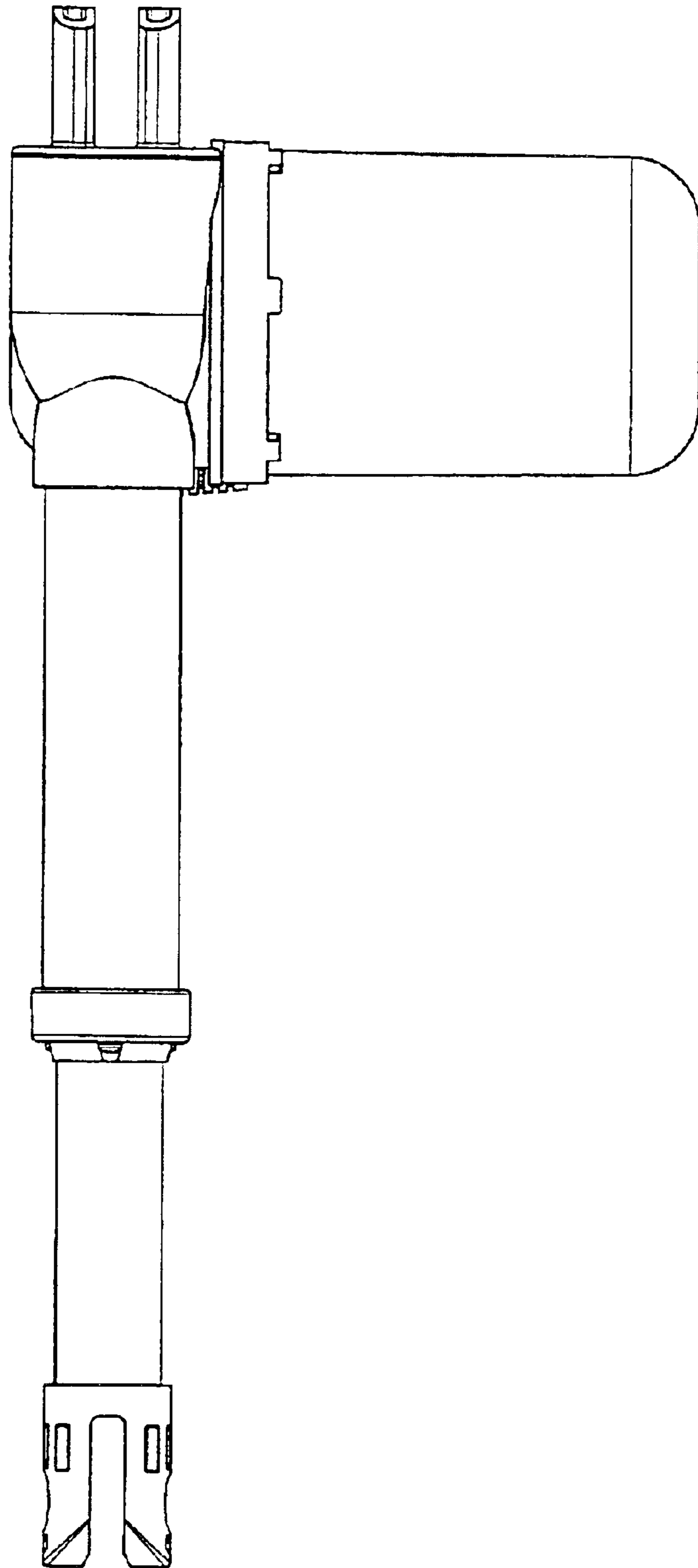
**FIG. 4**



**FIG. 5**

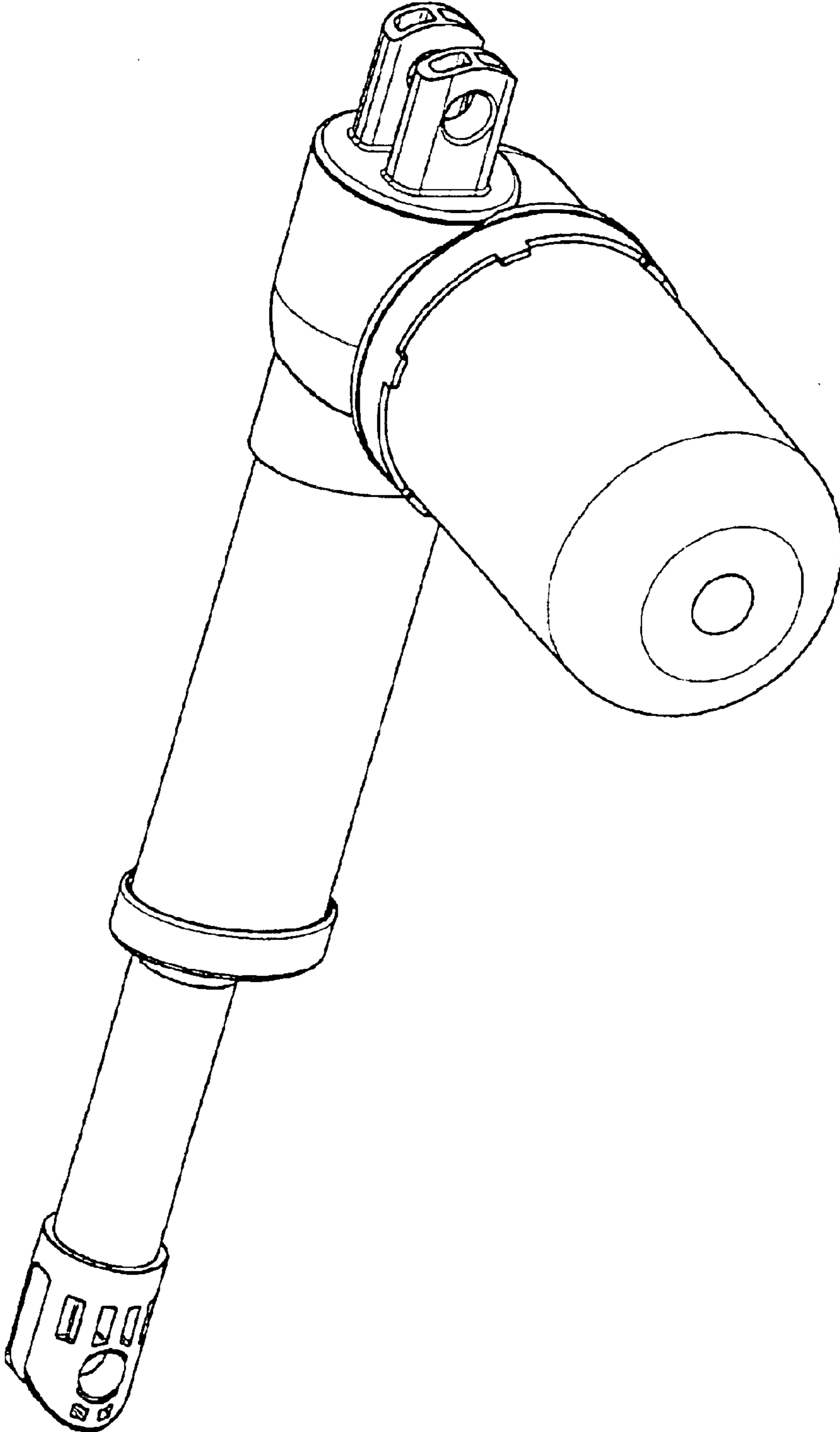


**FIG. 6**



**FIG. 7**





**FIG. 8**