



US00D514141S

(12) **United States Design Patent**  
**Atkins et al.**

(10) **Patent No.: US D514,141 S**  
(45) **Date of Patent: \*\* Jan. 31, 2006**

(54) **PRESSURE SEALING CUP FOR OIL AND GAS WELLS**

(75) Inventors: **Nicholas Atkins**, Banchory Aberdeen (GB); **Philip Egleton**, Aberdeen (GB); **Craig Spalding**, Aberdeen (GB)

(73) Assignee: **Rubberatkins Limited**, Aberdeen (GB)

(\*\*) Term: **14 Years**

(21) Appl. No.: **29/195,843**

(22) Filed: **Dec. 16, 2003**

(51) **LOC (8) Cl.** ..... **15-09**

(52) **U.S. Cl.** ..... **D15/138**

(58) **Field of Classification Search** ..... D15/138;  
92/241, 254, 242; 166/387, 99, 105.2; 277/335-336,  
277/341-343

See application file for complete search history.

(56) **References Cited**

**U.S. PATENT DOCUMENTS**

1,565,797	A	*	12/1925	Crickmer	.....	92/241
3,450,412	A	*	6/1969	Collett	.....	277/335
3,487,753	A	*	1/1970	Blackwell	.....	92/242
4,081,185	A	*	3/1978	Lane	.....	277/335
4,265,459	A	*	5/1981	Greenlee et al.	.....	277/335
4,317,407	A	*	3/1982	Blackwell	.....	92/241
4,319,518	A	*	3/1982	Vicens	.....	92/241
4,638,726	A	*	1/1987	Johnson et al.	.....	92/241

4,771,675	A	*	9/1988	Grauer et al.	.....	92/242
5,119,874	A	*	6/1992	Ferguson et al.	.....	166/105.2
6,607,031	B2	*	8/2003	Lynde et al.	.....	166/99
2002/0139541	A1		10/2002	Sheffield et al.	.....	166/387

**OTHER PUBLICATIONS**

Copy of page from Weatherford-Guiberson Product Catalogue RE GW Cup-Type Packers and Cups.

\* cited by examiner

*Primary Examiner*—Antoine D. Davis

(74) *Attorney, Agent, or Firm*—Derek H. Maughan; Dykas, Shaver & Nipper

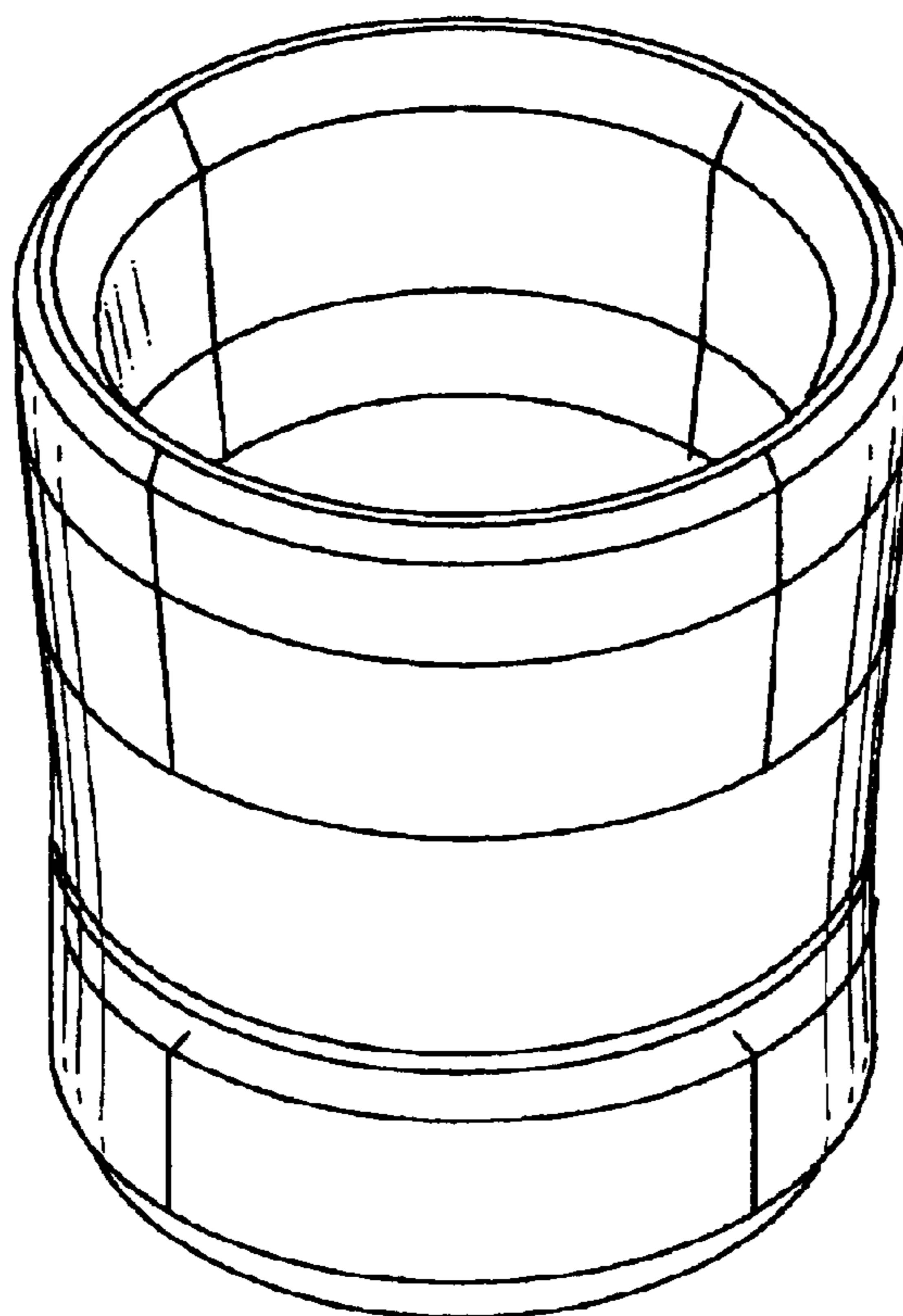
(57) **CLAIM**

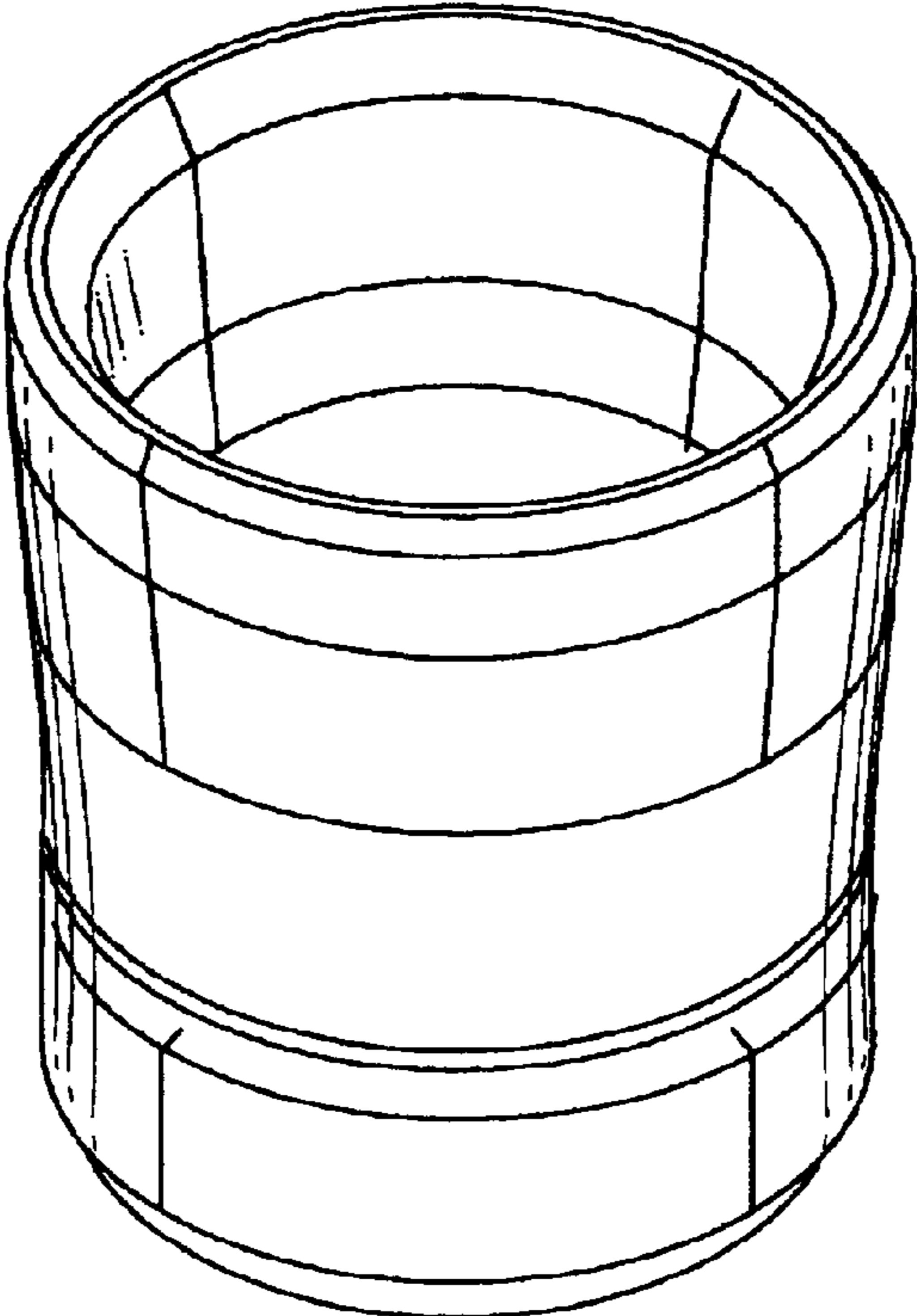
The ornamental design for a pressure sealing cup for oil and gas wells, as shown and described.

**DESCRIPTION**

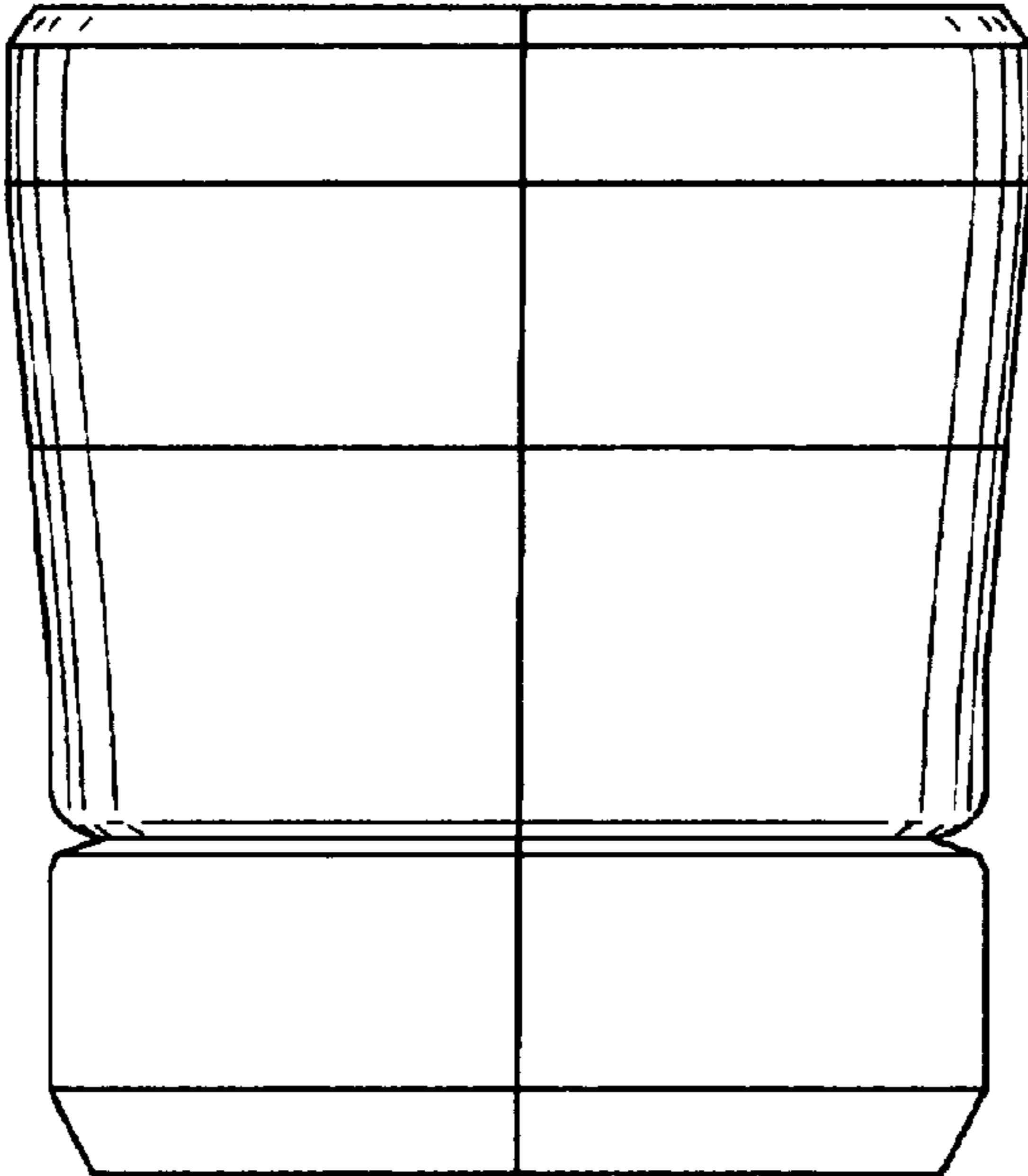
FIG. 1 is a first perspective representational view of the pressure sealing cup for oil and gas wells;  
FIG. 2 is a first side view of the pressure sealing cup for oil and gas wells;  
FIG. 3 is a top plan view of the pressure sealing cup for oil and gas wells;  
FIG. 4 is a bottom plan view of the pressure sealing cup for oil and gas wells; and,  
FIG. 5 is a second perspective view of the pressure sealing cup for oil and gas wells.

**1 Claim, 3 Drawing Sheets**

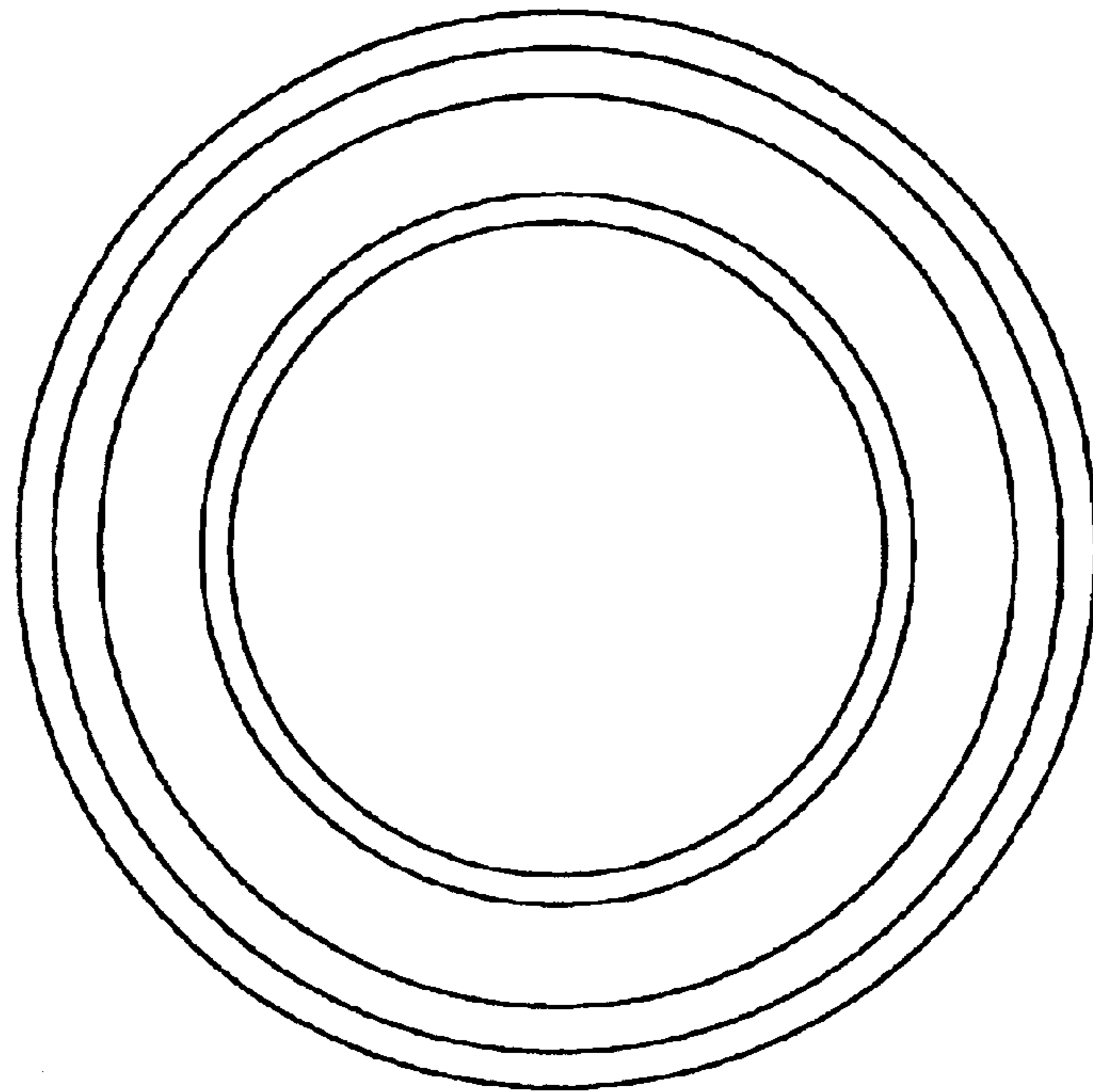




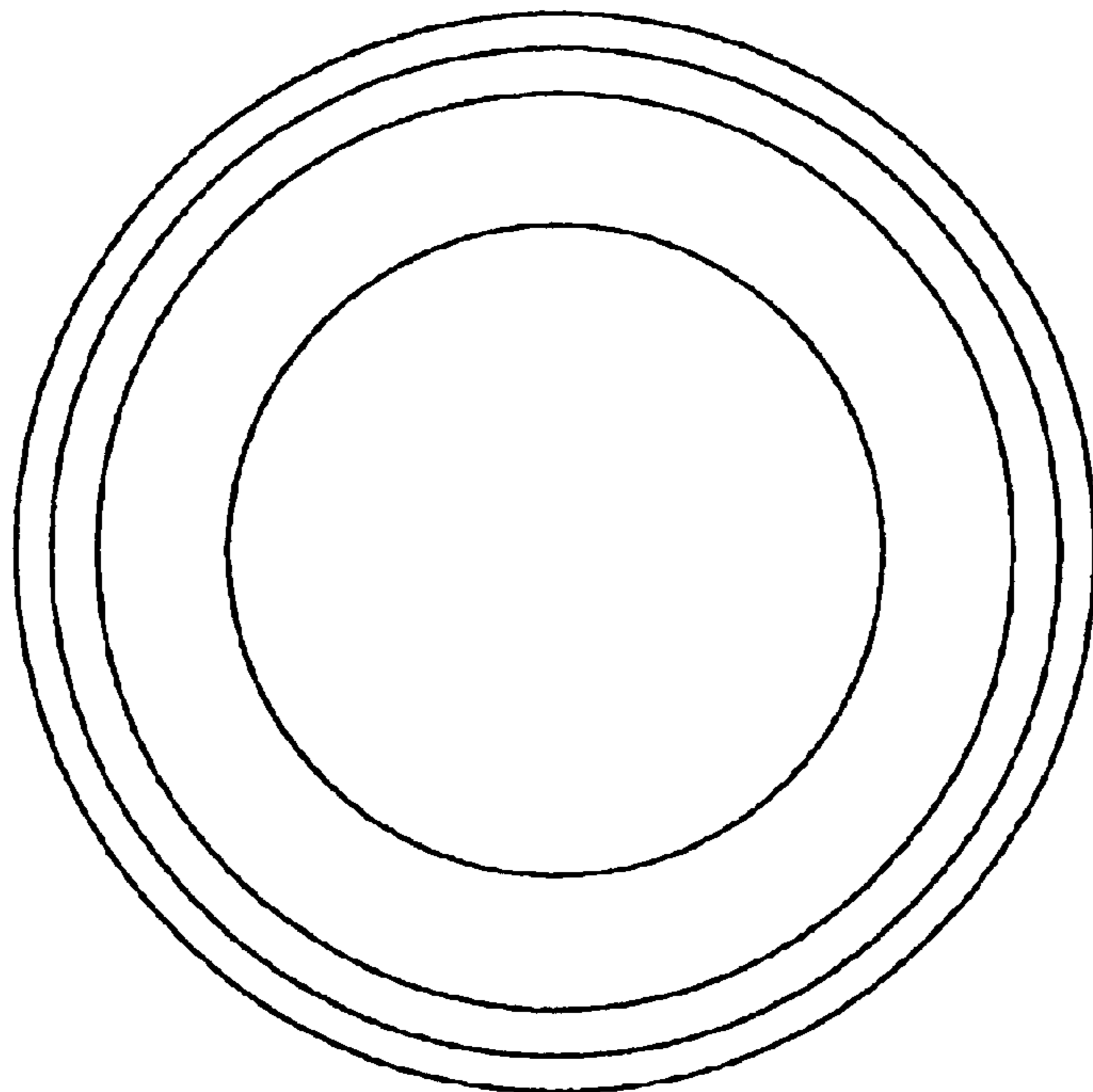
**Fig. 1**



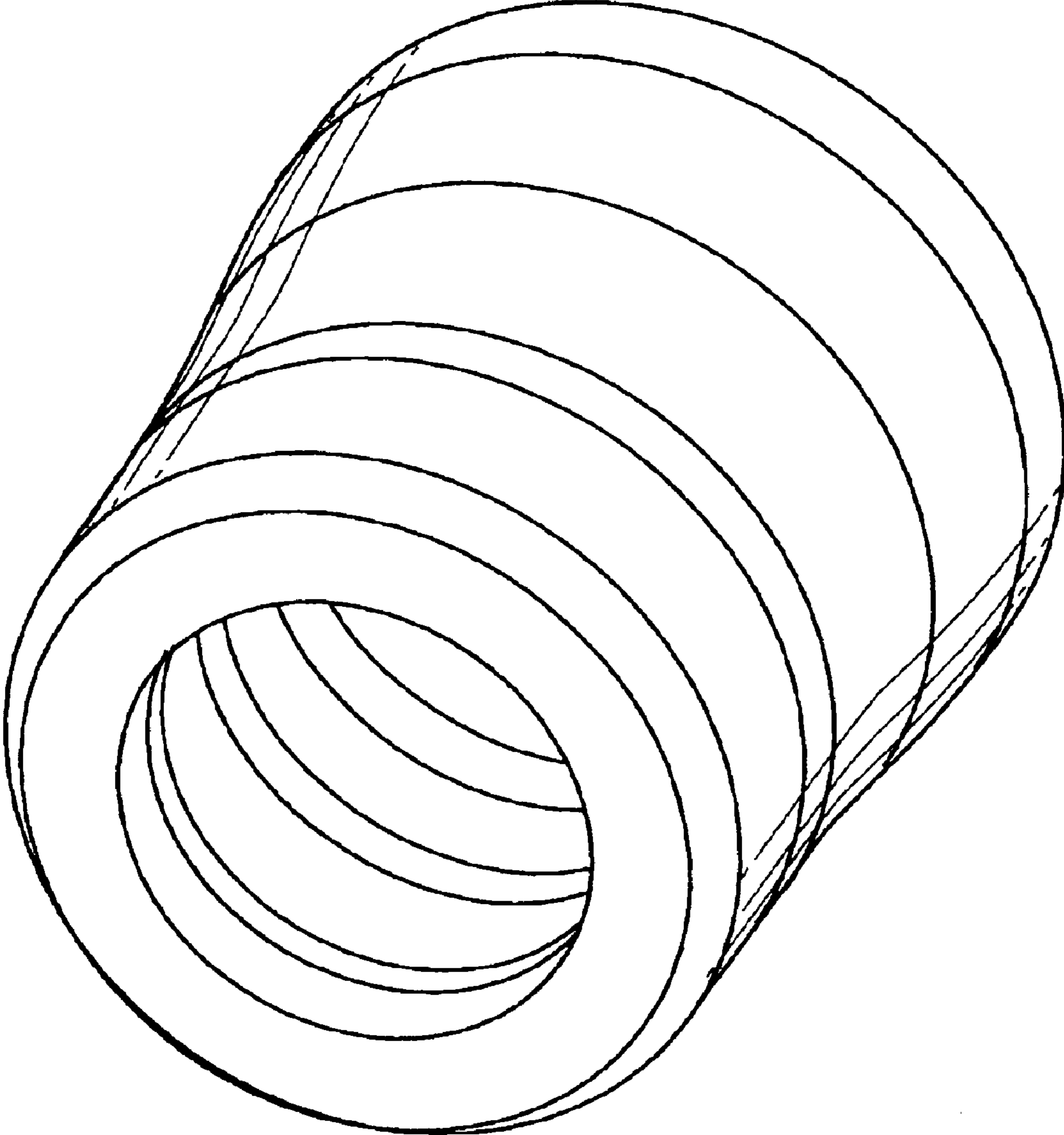
**Fig. 2**



**Fig. 3**



**Fig. 4**



**Fig. 5**