

US00D514135S

(12) **United States Design Patent**  
**Kawaguchi**

(10) **Patent No.:** **US D514,135 S**  
(45) **Date of Patent:** **\*\* Jan. 31, 2006**

(54) **PRESSER FOOT FOR SEWING MACHINE**

D257,725 S \* 12/1980 Ingram ..... D15/78  
D332,614 S \* 1/1993 Lindsay ..... D15/78

(75) Inventor: **Shinichi Kawaguchi**, Tokyo (JP)

\* cited by examiner

(73) Assignee: **Kawaguchi Co., Ltd.**, Tokyo (JP)

*Primary Examiner*—Stella Reid  
*Assistant Examiner*—Shanda C. Hill

(\*\*) Term: **14 Years**

(74) *Attorney, Agent, or Firm*—Wenderoth, Lind & Ponack,  
L.L.P.

(21) Appl. No.: **29/215,345**

(22) Filed: **Oct. 19, 2004**

(57) **CLAIM**

(51) **LOC (8) Cl.** ..... **15-06**

The ornamental design for a presser foot for sewing machine, as shown and described.

(52) **U.S. Cl.** ..... **D15/78; D15/72**

(58) **Field of Classification Search** ..... D15/72,  
D15/78; 112/226, 270, 235–240, 259–261;  
225/83; 451/432

**DESCRIPTION**

See application file for complete search history.

FIG. 1 is a perspective view of a presser foot for sewing machine, showing my new design;  
FIG. 2 is a front elevational view thereof;  
FIG. 3 is a rear elevational view thereof;  
FIG. 4 is a top plan view thereof;  
FIG. 5 is a bottom plan view thereof;  
FIG. 6 is a left side elevational view thereof;  
FIG. 7 is a right side elevational view thereof; and,  
FIG. 8 is a perspective view thereof, in use condition.  
The broken line shown is for illustrative purposes only and forms no part of the claimed design.

(56) **References Cited**

**U.S. PATENT DOCUMENTS**

288,529	A	*	11/1883	Wellman	.....	112/235
1,036,845	A	*	8/1912	Hohmann	.....	112/235
1,265,278	A	*	5/1918	Tate	.....	112/235
D161,284	S	*	12/1950	Russell	.....	D15/72
3,933,106	A	*	1/1976	Murray	.....	112/235
3,967,567	A	*	7/1976	Yurkunas et al.	.....	112/240
D253,473	S	*	11/1979	Jolley	.....	D15/78

**1 Claim, 3 Drawing Sheets**

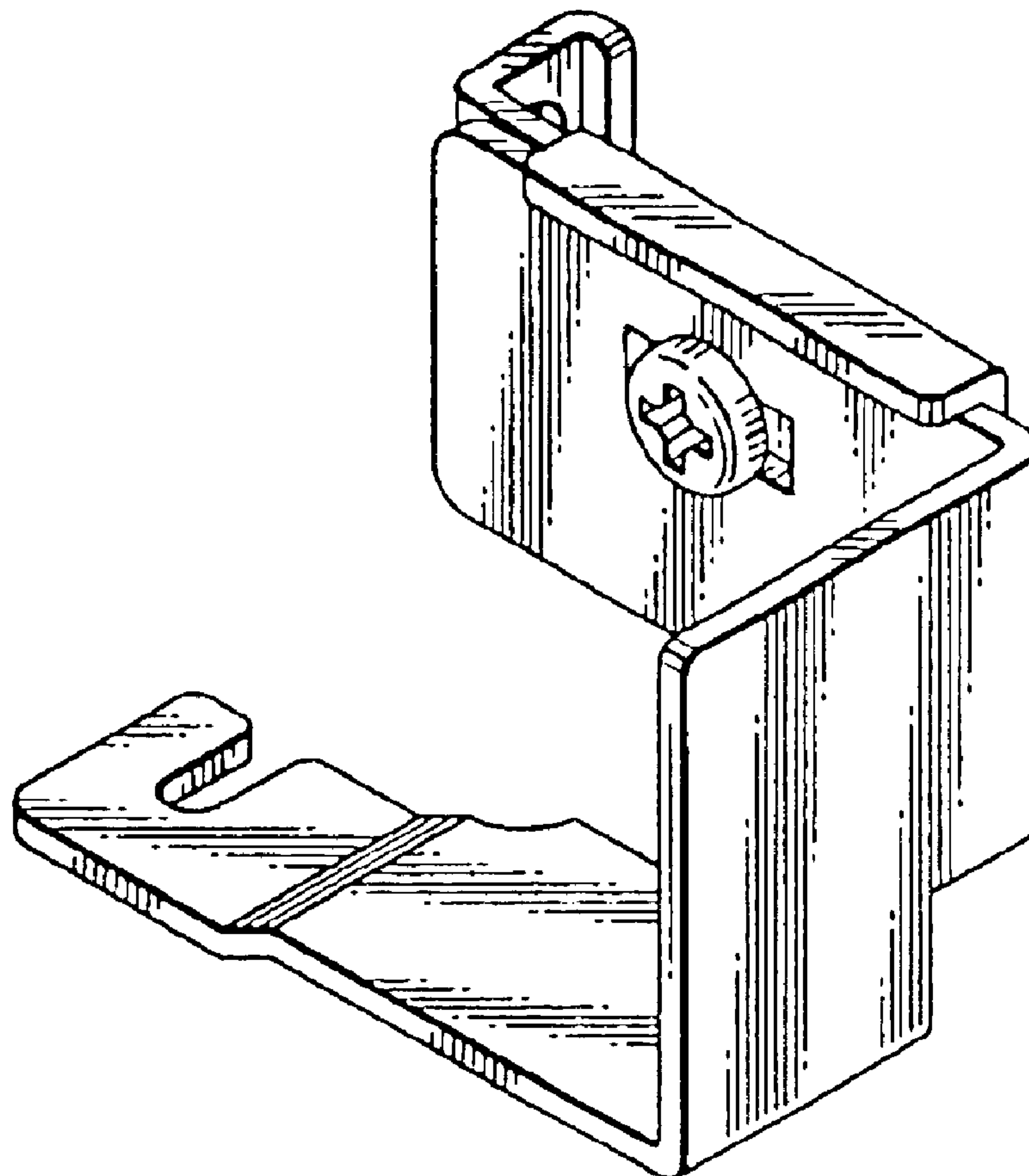


FIG. 1

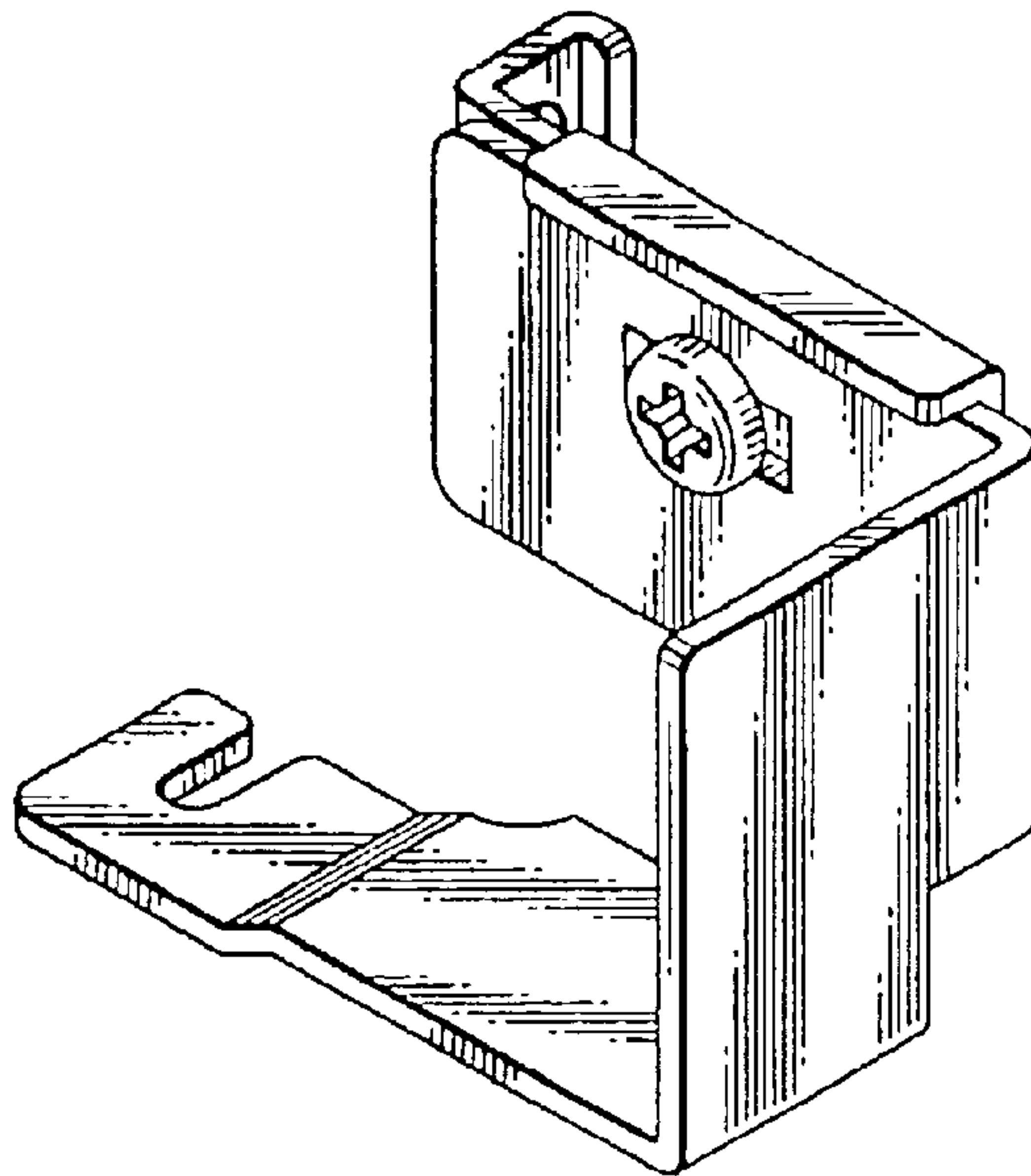


FIG. 2

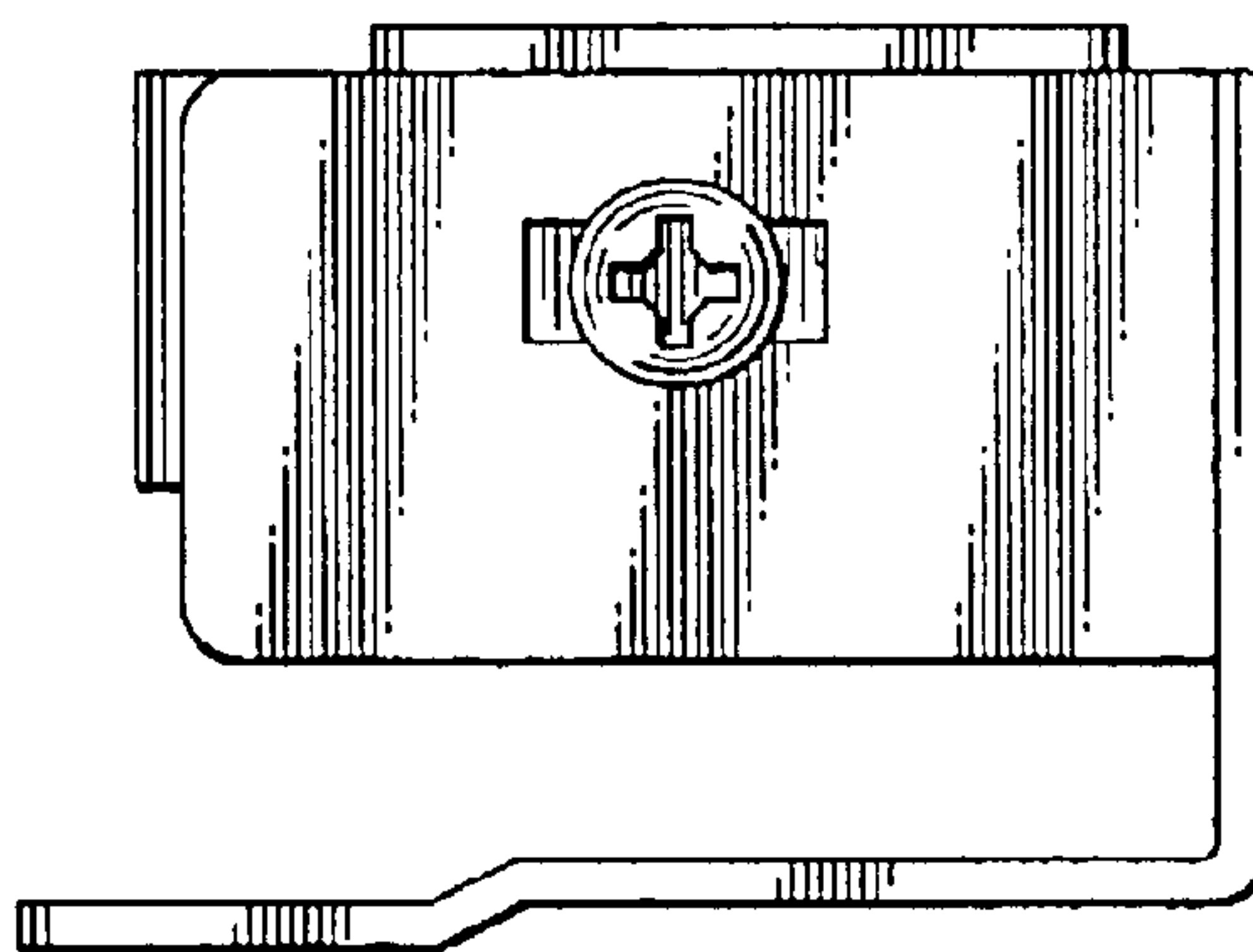


FIG. 3

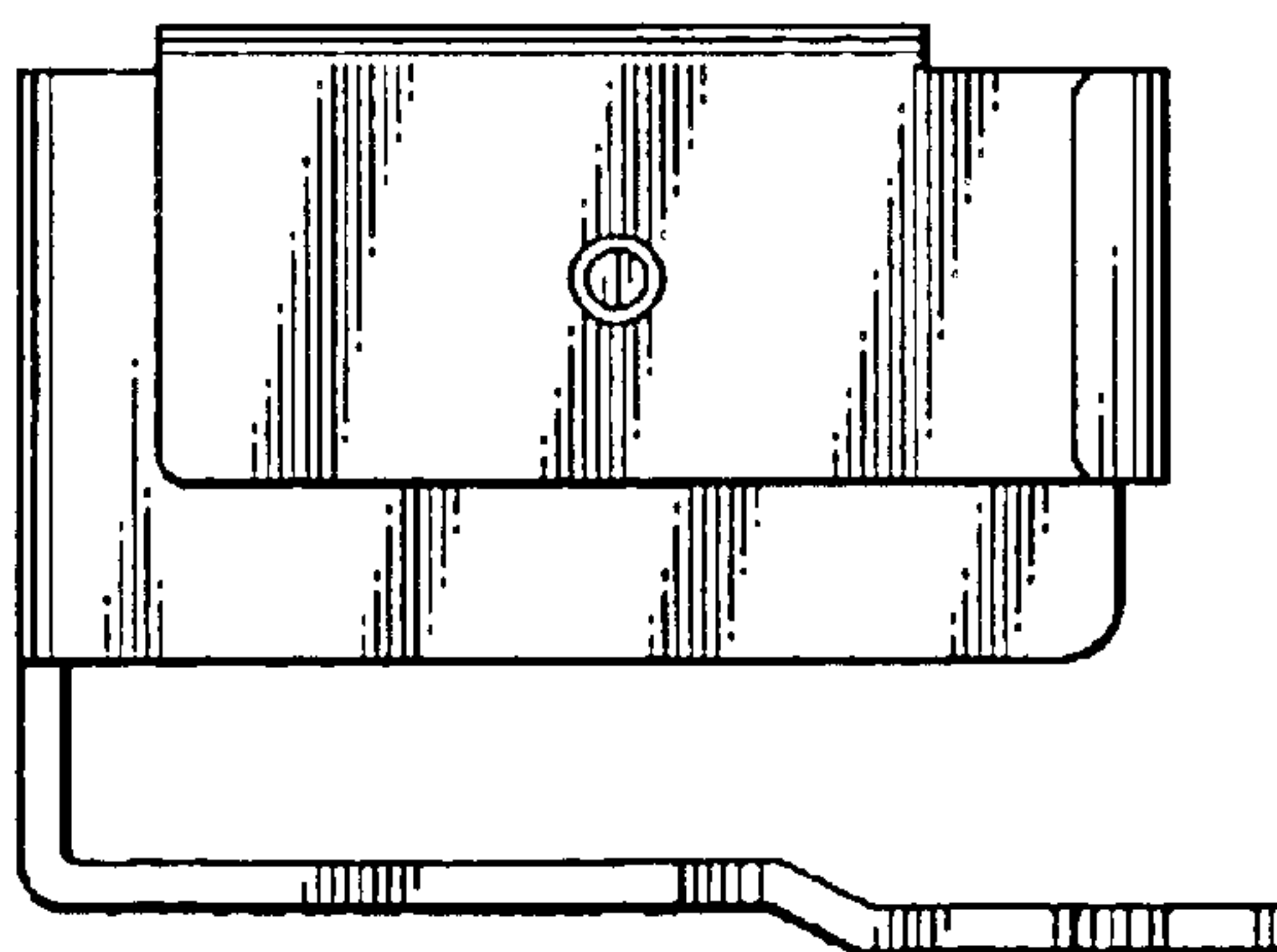


FIG. 4

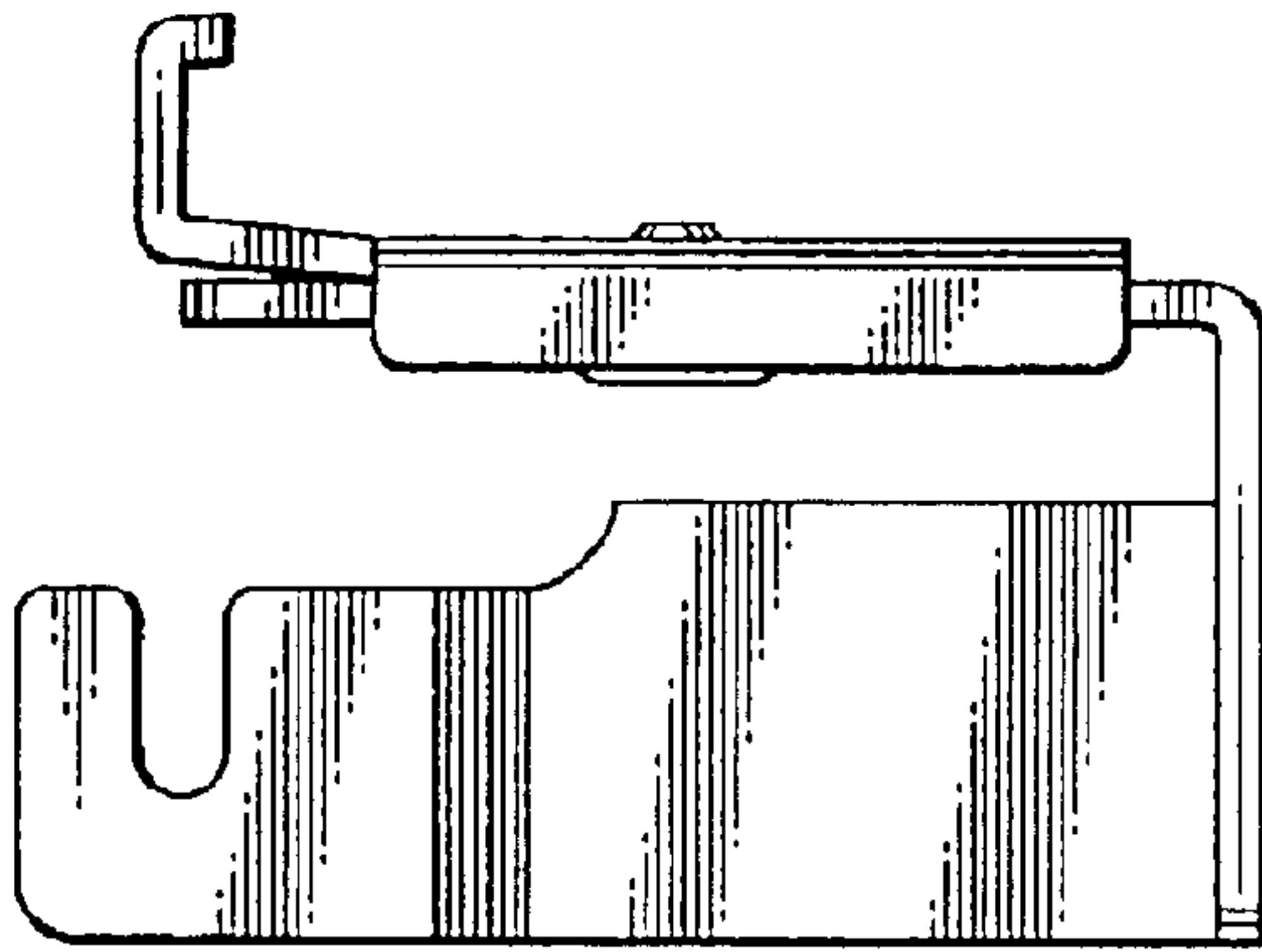


FIG. 5

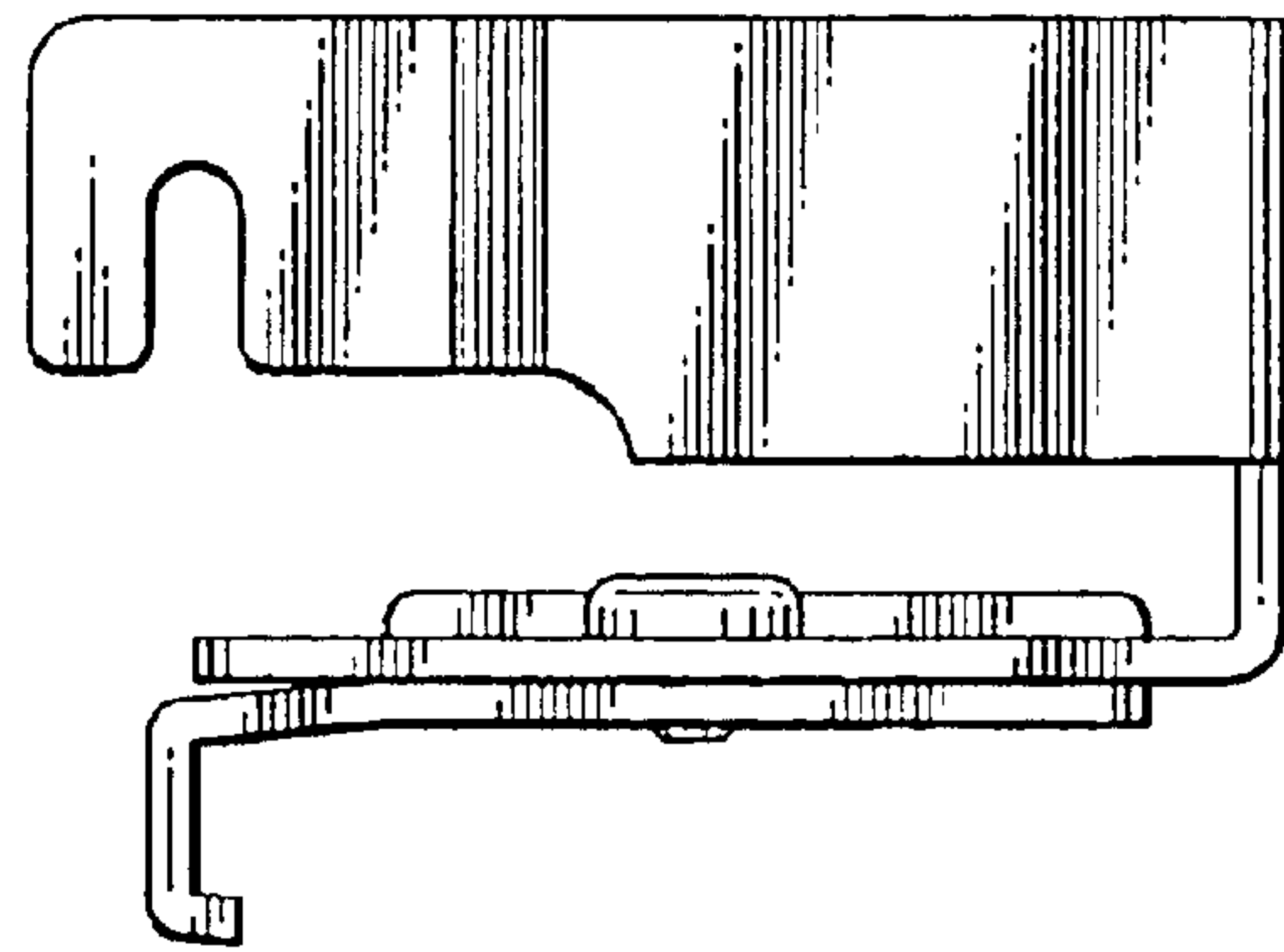


FIG. 6

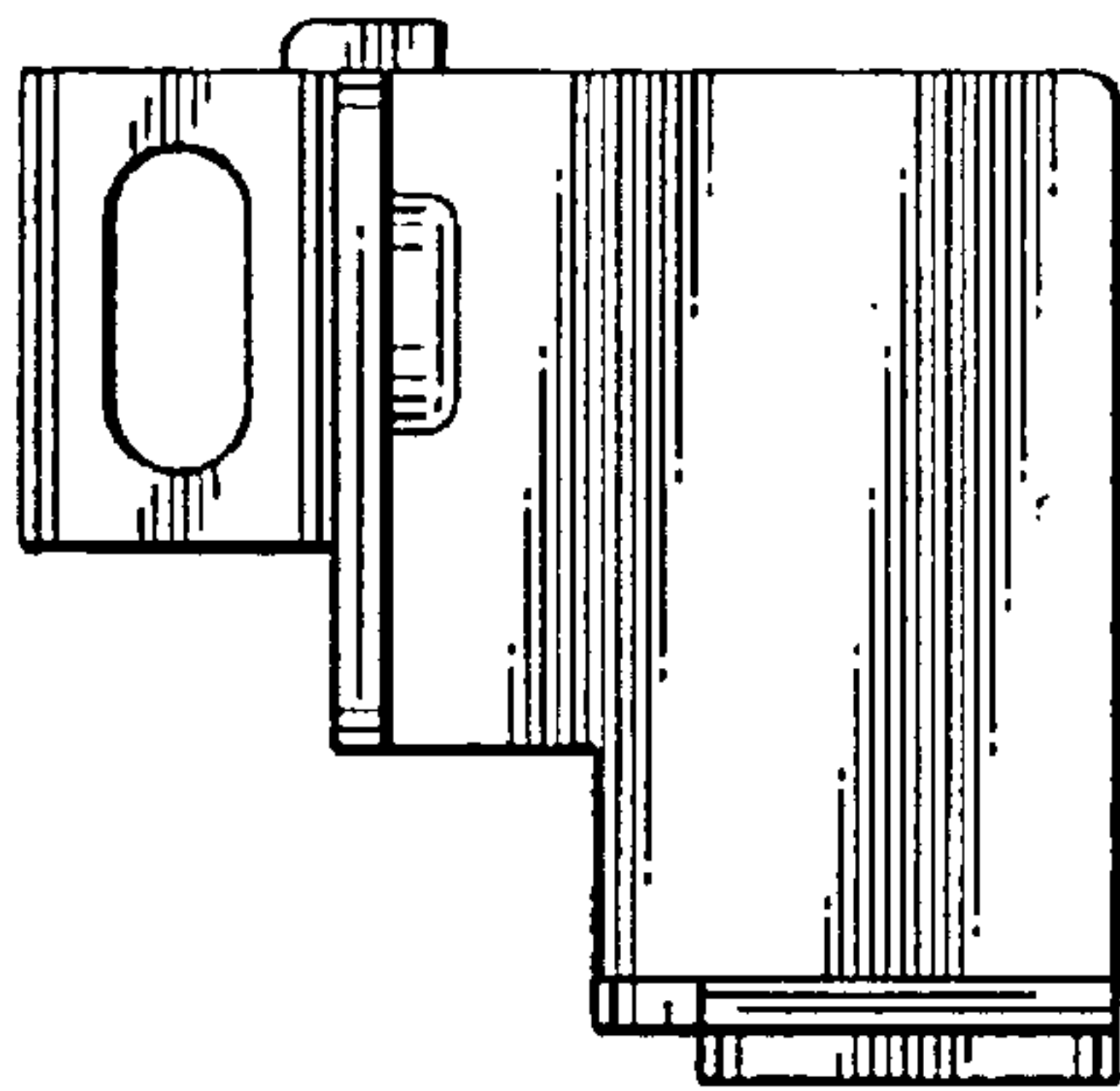


FIG. 7

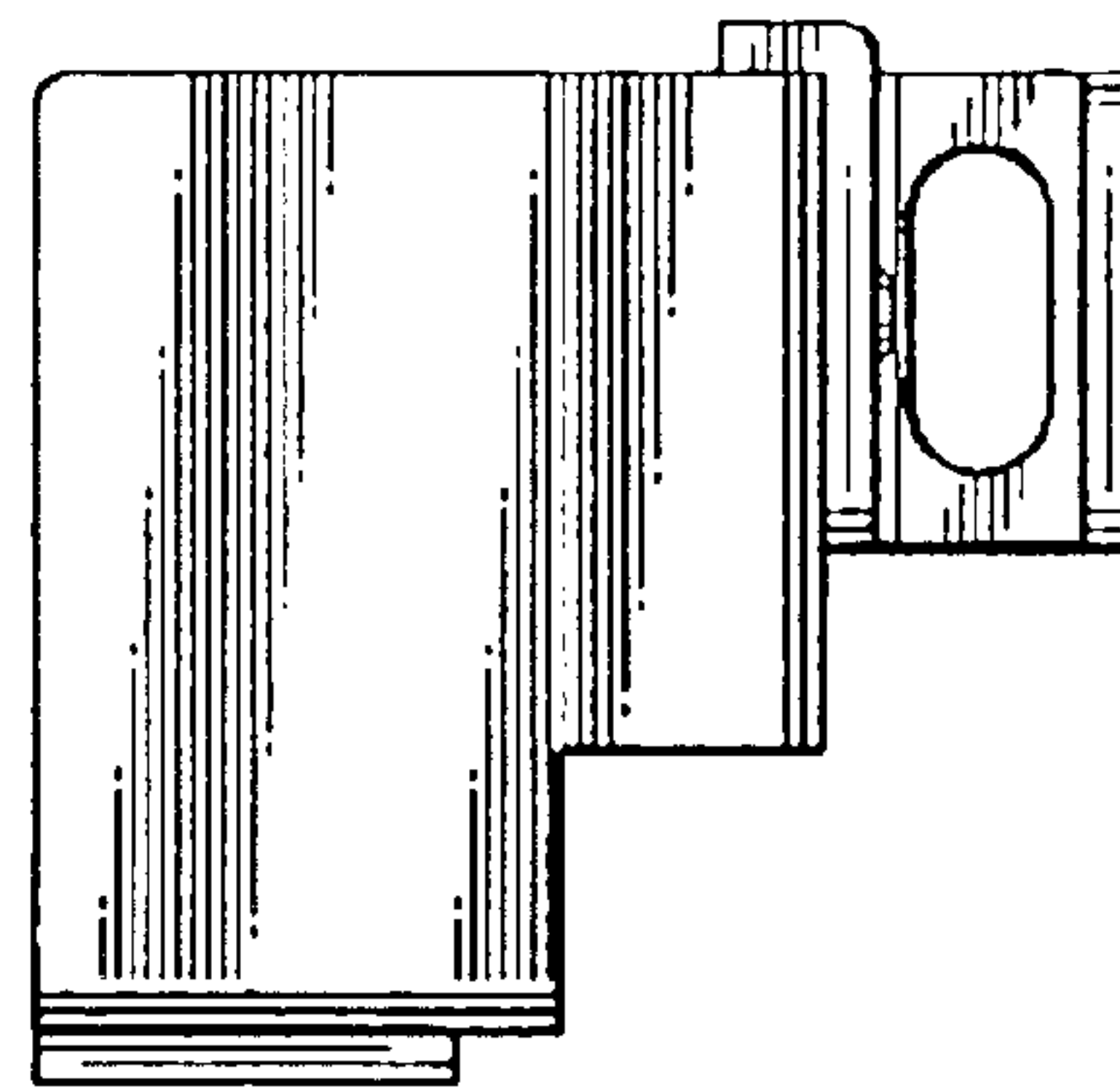


FIG. 8

