

US00D514134S

(12) **United States Design Patent**
Takagi et al.

(10) **Patent No.: US D514,134 S**
(45) **Date of Patent: ** Jan. 31, 2006**

(54) **SEWING MACHINE HEAD**

(75) Inventors: **Kaname Takagi**, Saitama (JP); **Tadashi Syoji**, Tochigi (JP)
(73) Assignee: **Newlong Industrial Company Limited**, Tokyo (JP)
(**) Term: **14 Years**

(21) Appl. No.: **29/209,707**
(22) Filed: **Jul. 21, 2004**

(30) **Foreign Application Priority Data**

Feb. 26, 2004 (JP) 2004-005604

(51) **LOC (8) Cl.** **15-06**
(52) **U.S. Cl.** **D15/78**
(58) **Field of Classification Search** D15/69,
D15/72, 78; 112/270, 226, 235, 240, 256,
112/259, 260, 261; 225/83; 451/432
See application file for complete search history.

(56) **References Cited**

U.S. PATENT DOCUMENTS

2,762,324 A * 9/1956 Hess 112/256
D359,741 S * 6/1995 Sekiguti et al. D15/70
D361,577 S * 8/1995 Motomizu D15/70
D382,281 S * 8/1997 Takada et al. D15/69
D466,136 S * 11/2002 Lin D15/69

OTHER PUBLICATIONS

Brochure: "Sewing Machine Head, DS-11, Instruction Manual", NLI, (44pp), published Jan. 8, 2004.
"Sheeler For Multiple Paper Bag—KS Model", Catalog p. 4, Sewing Machine Head (JPO Design Division Document Card No. HN13018659).
Japanese Patent Office Action dated Jan. 14, 2005 in priority Design Application No. 005604/2004.

* cited by examiner

Primary Examiner—Nanda Bondade
Assistant Examiner—Shanda C. Hill

(74) *Attorney, Agent, or Firm*—Staas & Halsey LLP

(57) **CLAIM**

The ornamental design for the sewing machine head, as show.

DESCRIPTION

FIG. 1 is a perspective view from a front side of the sewing machine head showing our new design; FIG. 2 is a front elevational view thereof; FIG. 3 is a rear elevational view thereof; FIG. 4 is a top plan view thereof; FIG. 5 is a bottom plan view thereof; FIG. 6 is a left side elevational view thereof; and, FIG. 7 is a right side elevational view thereof.

1 Claim, 5 Drawing Sheets

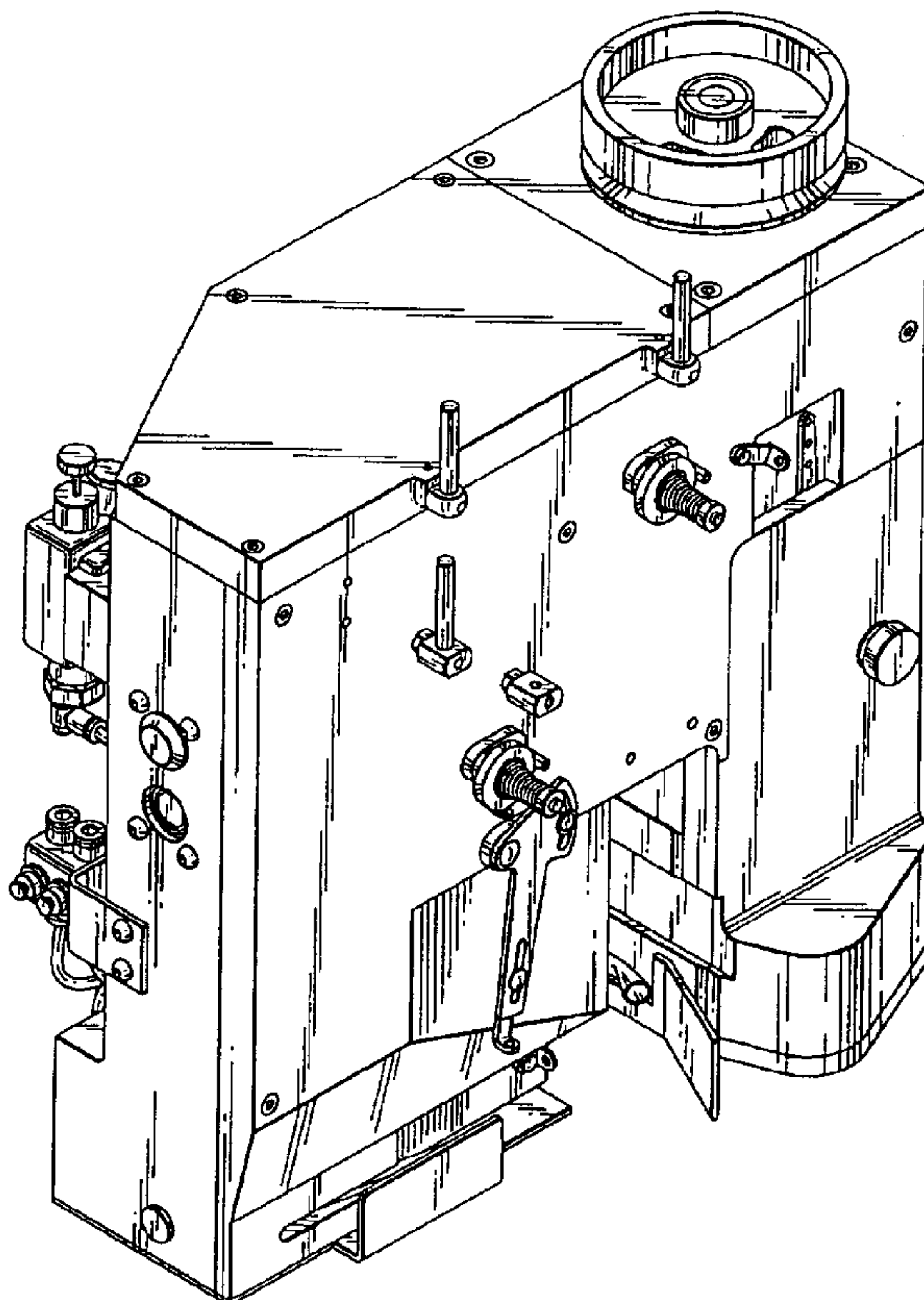


FIG. 1

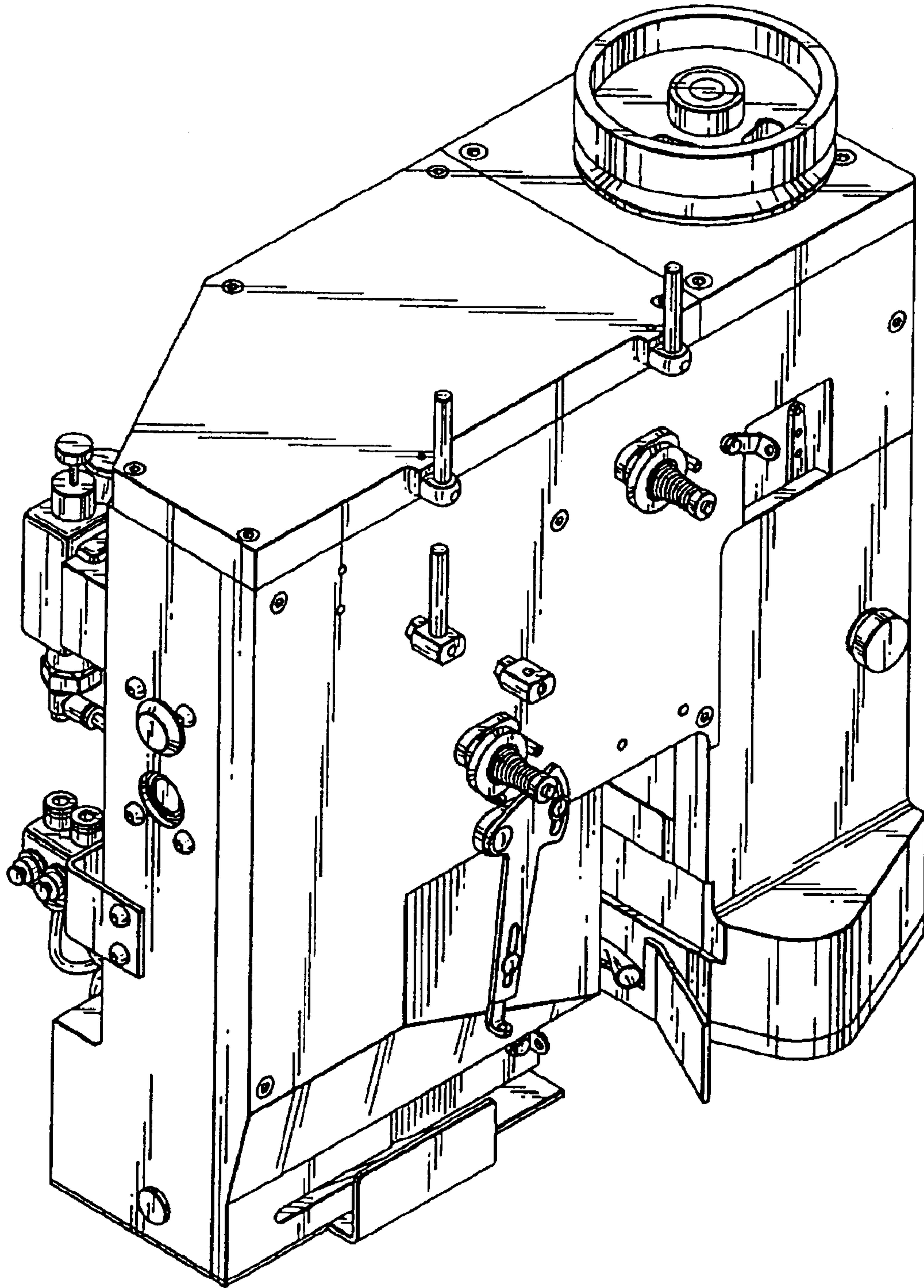


FIG. 2

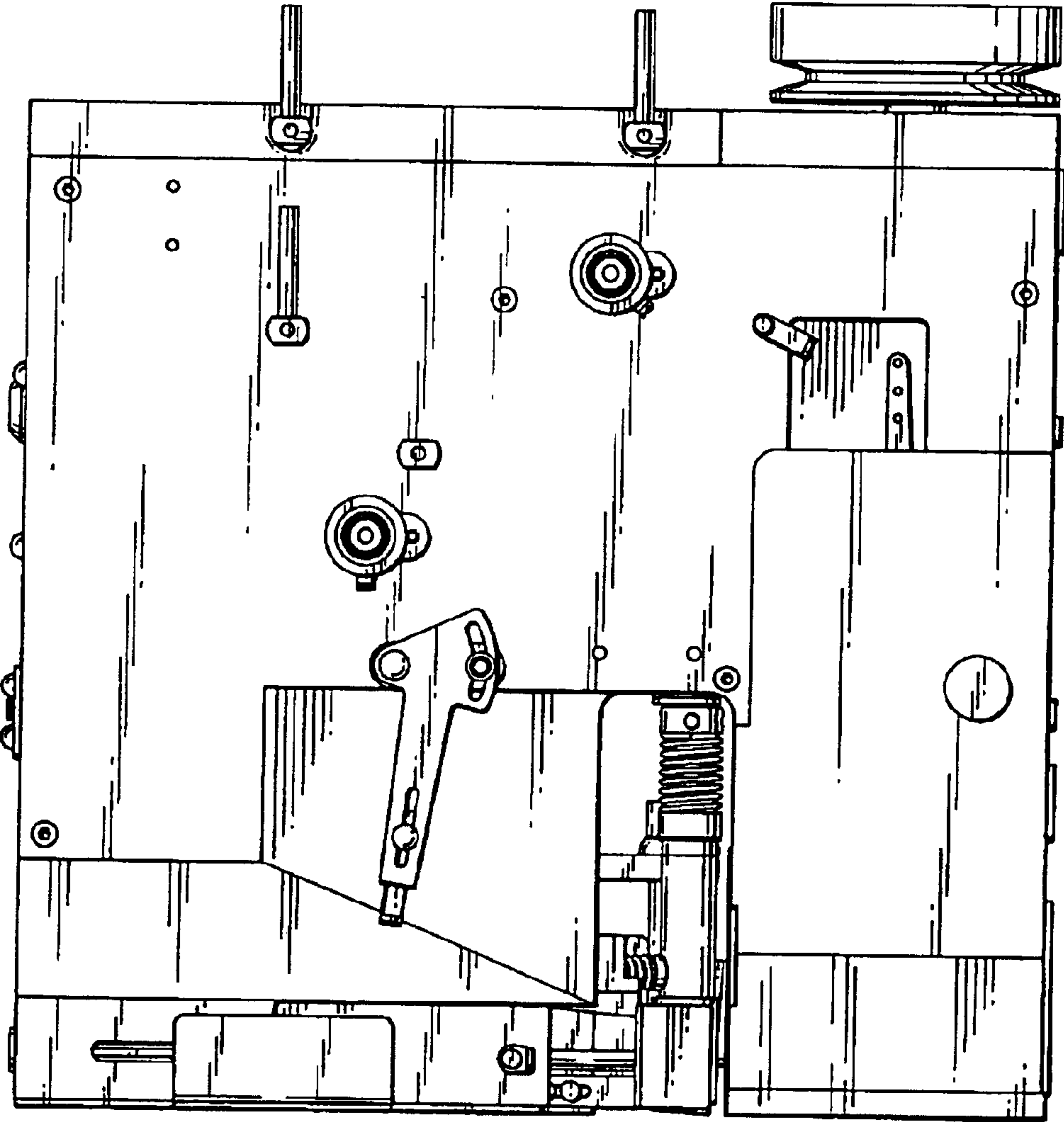


FIG. 3

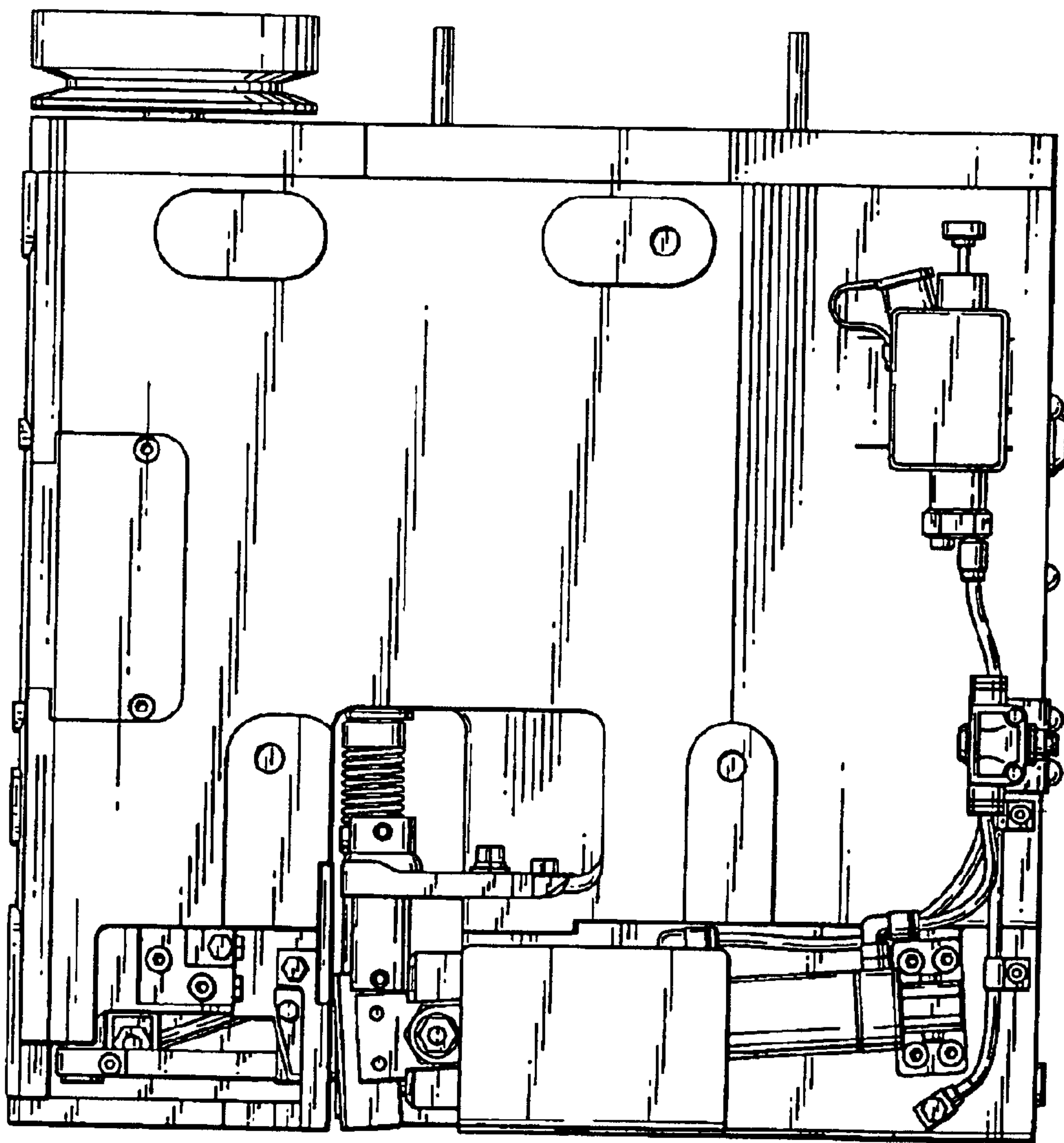


FIG. 4

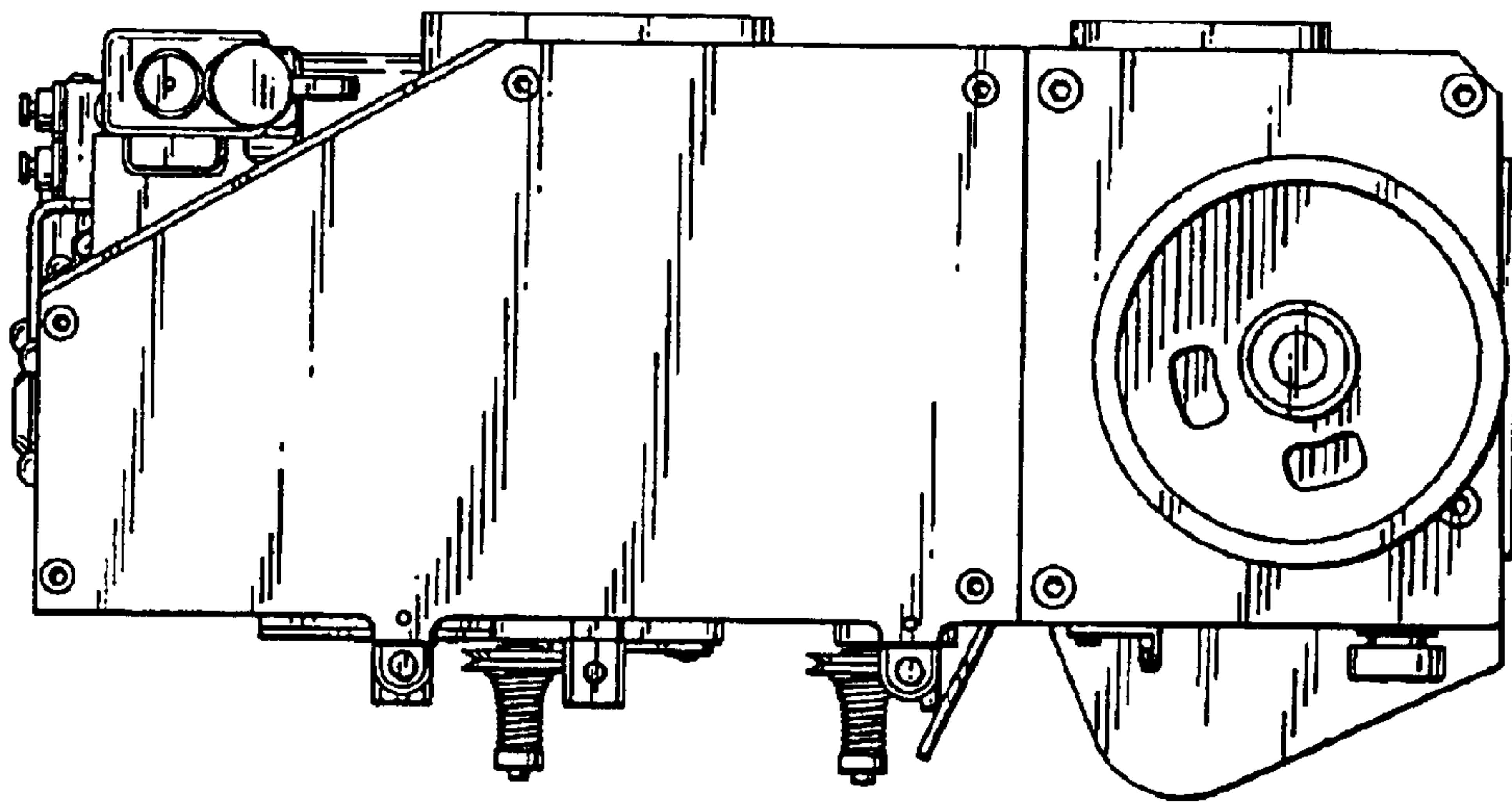


FIG. 5

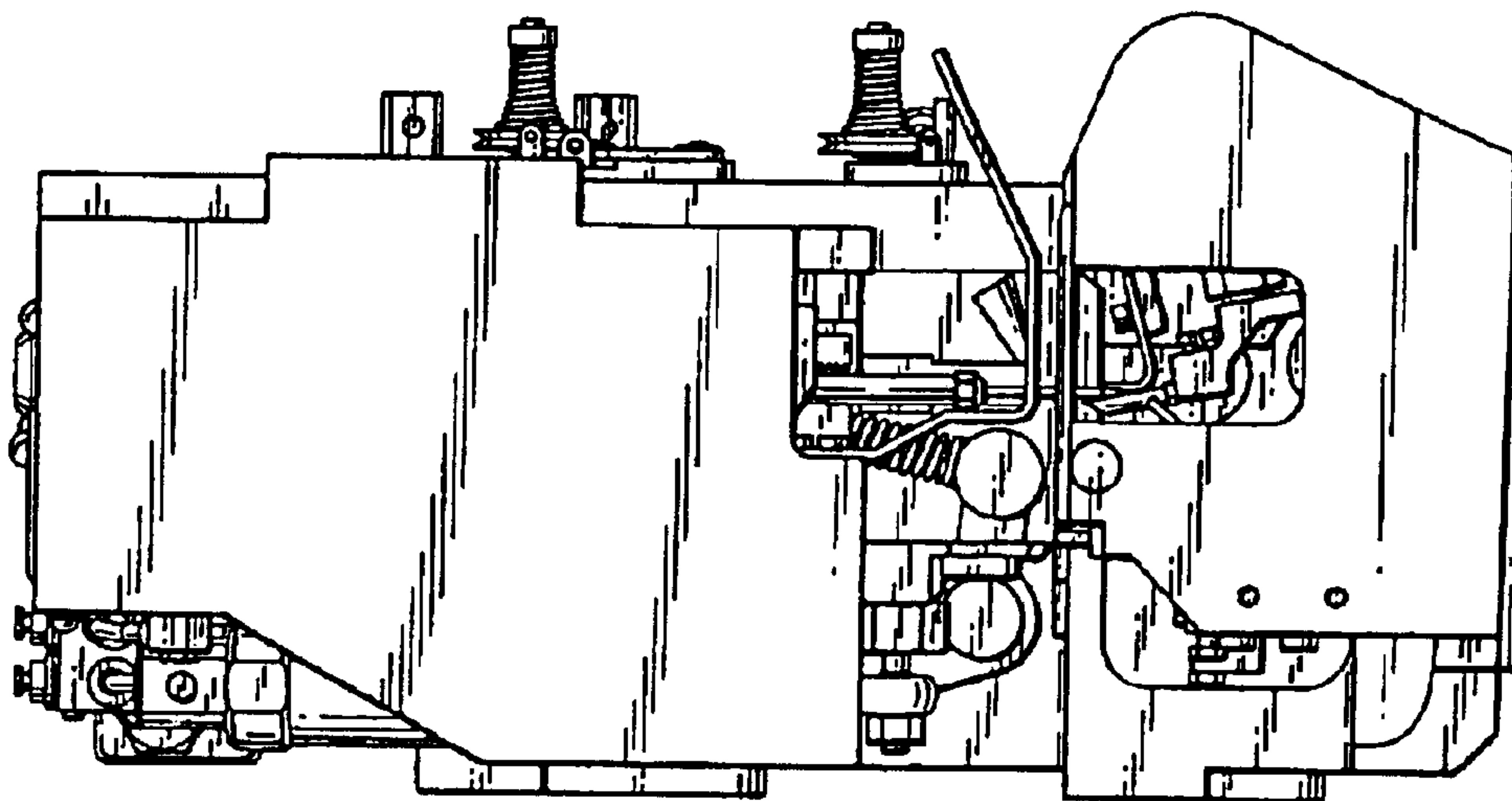


FIG. 6

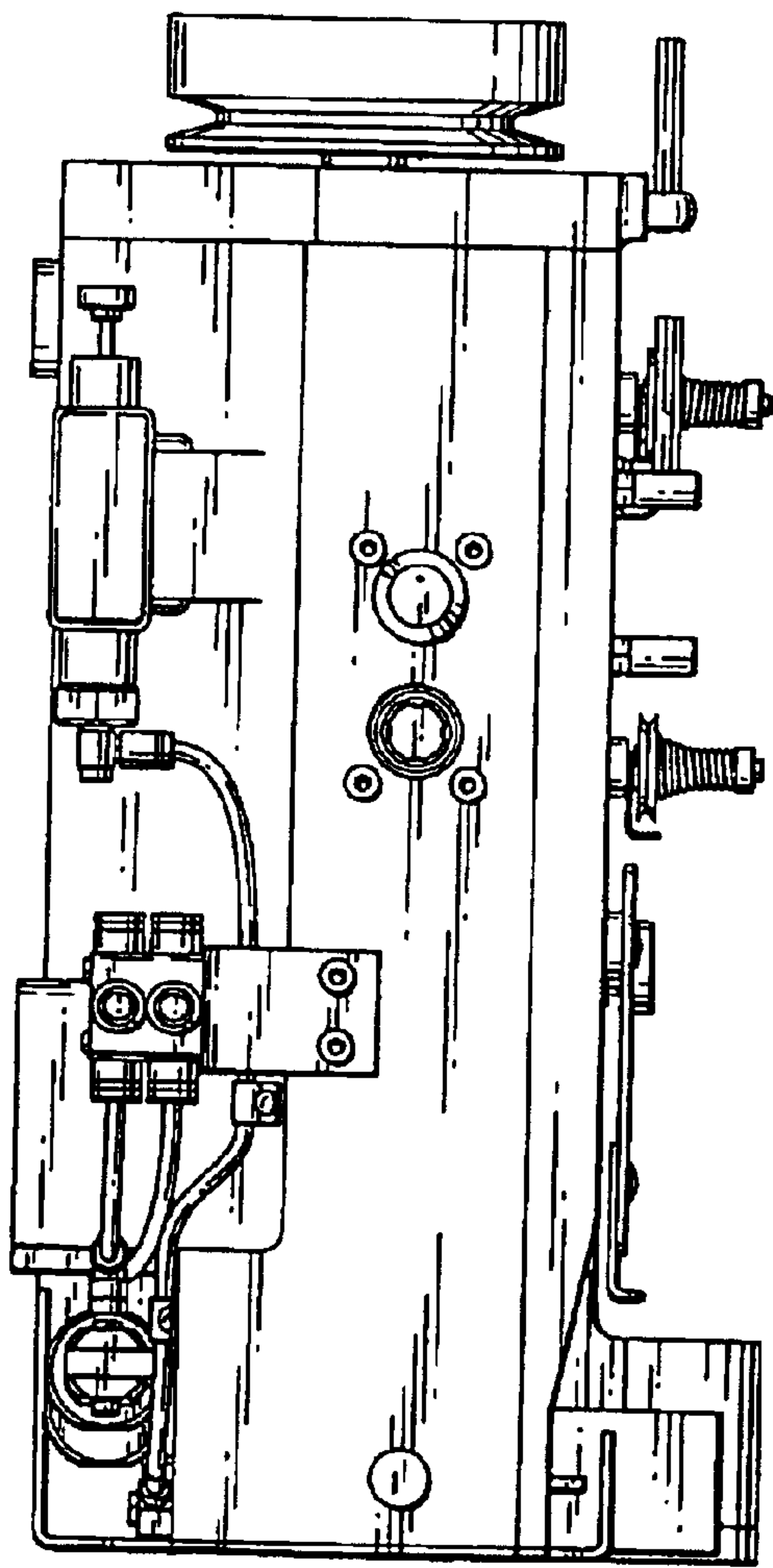


FIG. 7

