



US00D514132S

(12) **United States Design Patent**
Chosei

(10) **Patent No.:** **US D514,132 S**

(45) **Date of Patent:** **** Jan. 31, 2006**

(54) **LIFTING LUG FOR AN ENGINE-DRIVEN OPERATING MACHINE**

D456,821 S * 5/2002 Ege et al. D15/28
D457,173 S * 5/2002 Harden et al. D15/28

(75) Inventor: **Noboru Chosei**, Fukui-Ken (JP)

FOREIGN PATENT DOCUMENTS

JP D1189749 9/2003

(73) Assignee: **Denyo Kabushiki Kaisha**, Tokyo-To (JP)

* cited by examiner

(**) Term: **14 Years**

Primary Examiner—Mitchell Siegel

Assistant Examiner—Mark A. Goodwin

(21) Appl. No.: **29/202,721**

(74) *Attorney, Agent, or Firm*—Jacobson Holman PLLC

(22) Filed: **Apr. 5, 2004**

(57) **CLAIM**

(30) **Foreign Application Priority Data**

I claim the ornamental design for the lifting lug for an engine-driven operating machine, as shown and described.

Jan. 9, 2004 (JP) 2004-000386

DESCRIPTION

(51) **LOC (8) Cl.** **15-03**

(52) **U.S. Cl.** **D15/28**

(58) **Field of Classification Search** D15/10,
D15/11, 13, 27, 28, 33; D34/28, 33-37; 294/904,
294/89.1, 82.1

See application file for complete search history.

FIG. 1 is a front perspective view of the lifting lug for an engine-driven operating machine embodying my design; FIG. 2 is a front elevational view of the lifting lug for an engine-driven operating machine as shown in FIG. 1; FIG. 3 is a rear elevational view of the lifting lug for an engine-driven operating machine as shown in FIG. 1; FIG. 4 is a top plan view of the lifting lug for an engine-driven operating machine as shown in FIG. 1; FIG. 5 is a right side elevational view of the lifting lug for an engine-driven operating machine as shown in FIG. 1; FIG. 6 is a left side elevational view of the lifting lug for an engine-driven operating machine as shown in FIG. 1; and, FIG. 7 is a front elevational view of the lifting lug for an engine-driven operating machine as shown in FIG. 1 showing the collapsed position of the lifting lug.

The broken line showing is for illustrative purposes only and forms no part of the claimed design.

(56) **References Cited**

U.S. PATENT DOCUMENTS

3,493,131 A * 2/1970 Allen 105/377.05
3,510,623 A * 5/1970 Wolgast 219/86.21
3,782,845 A * 1/1974 Briggs et al. 404/133.1
D258,054 S * 1/1981 Ellis D34/33
D272,719 S * 2/1984 Skjaeveland D8/394
D278,172 S * 3/1985 Ellis D34/33
D285,081 S * 8/1986 Wood D15/33
5,965,949 A * 10/1999 Fukuda et al. 290/1 A
6,103,995 A * 8/2000 Bankstahl 219/133
6,105,548 A * 8/2000 Carlson et al. 123/195 A

1 Claim, 4 Drawing Sheets

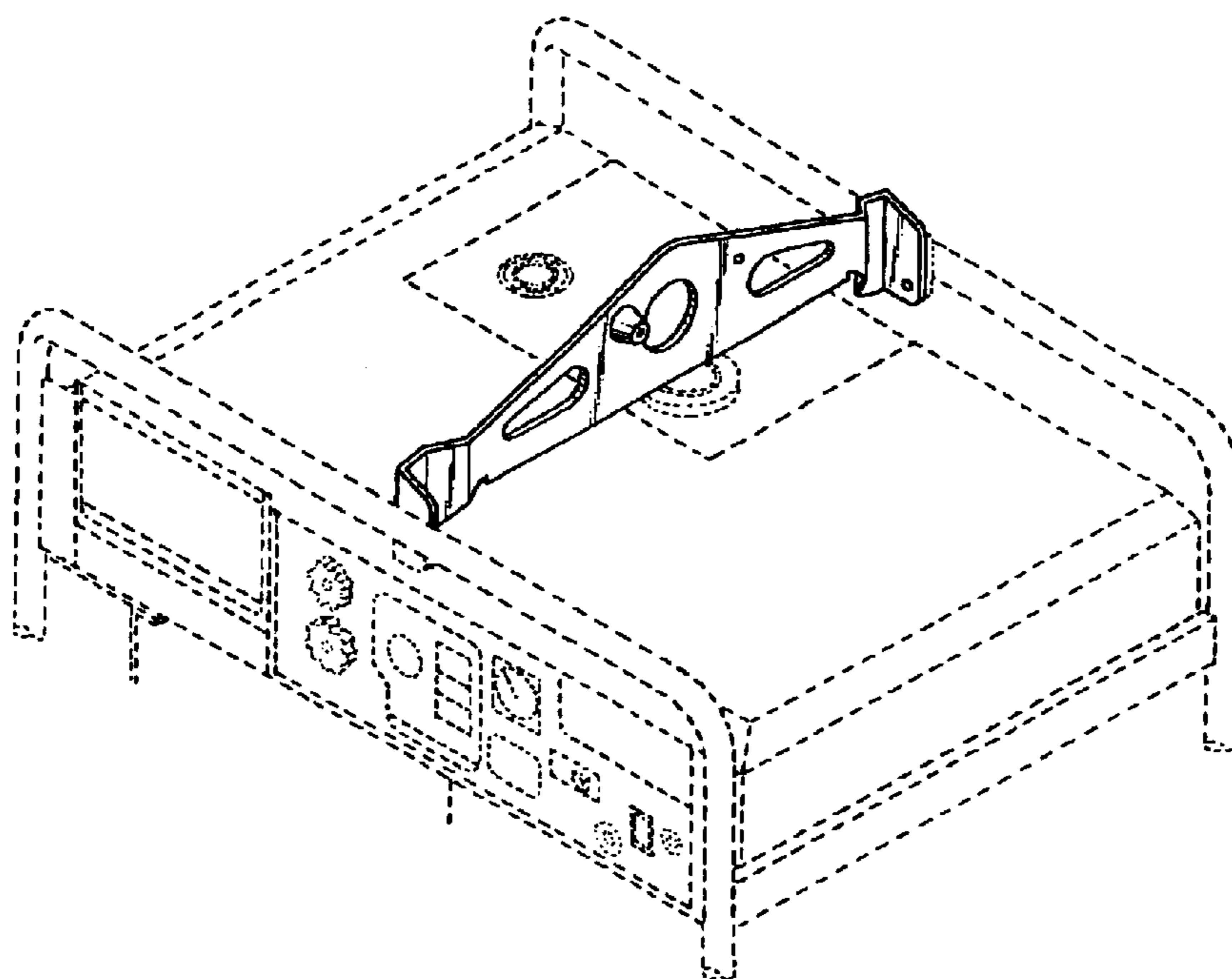


FIG. 1

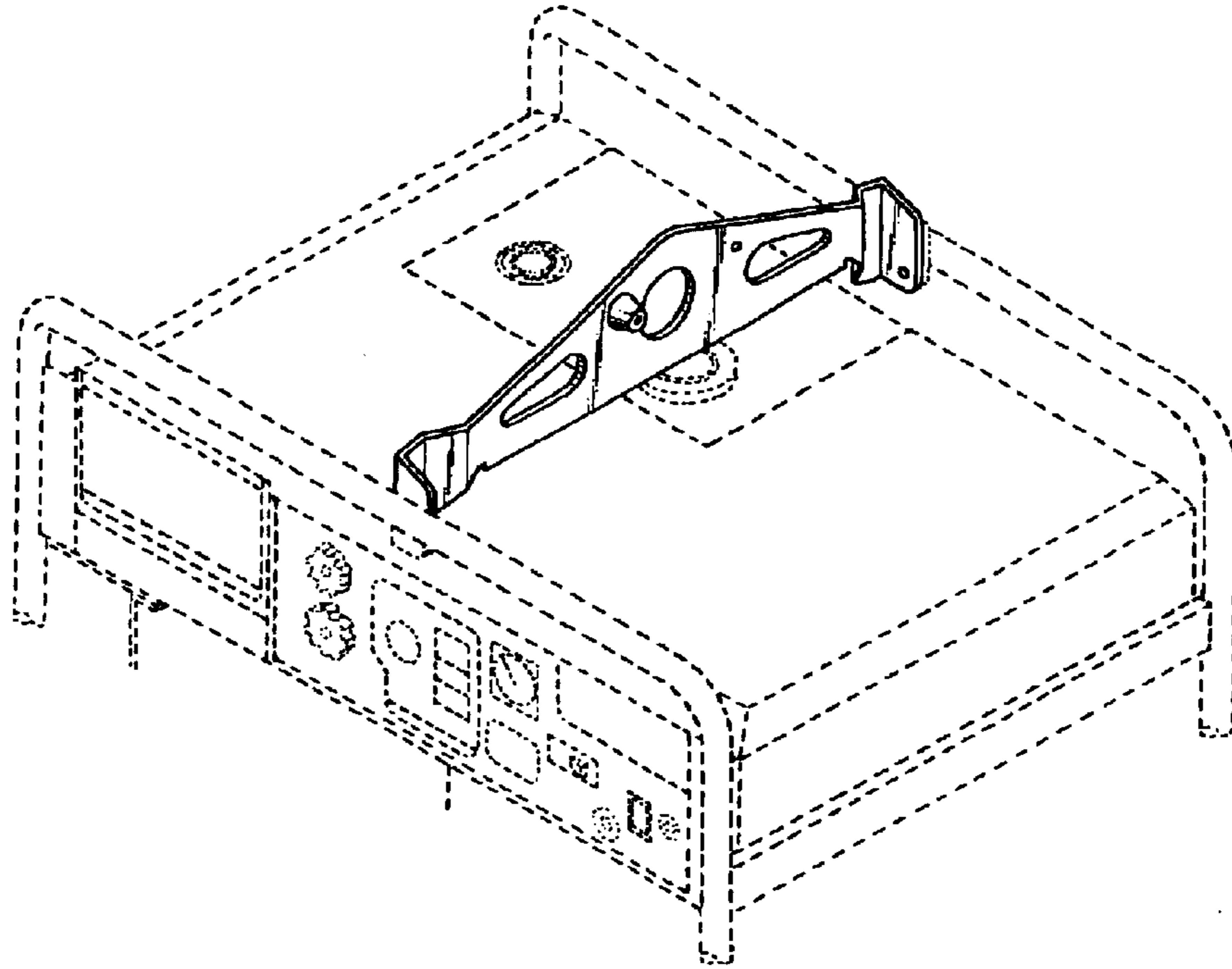


FIG. 2

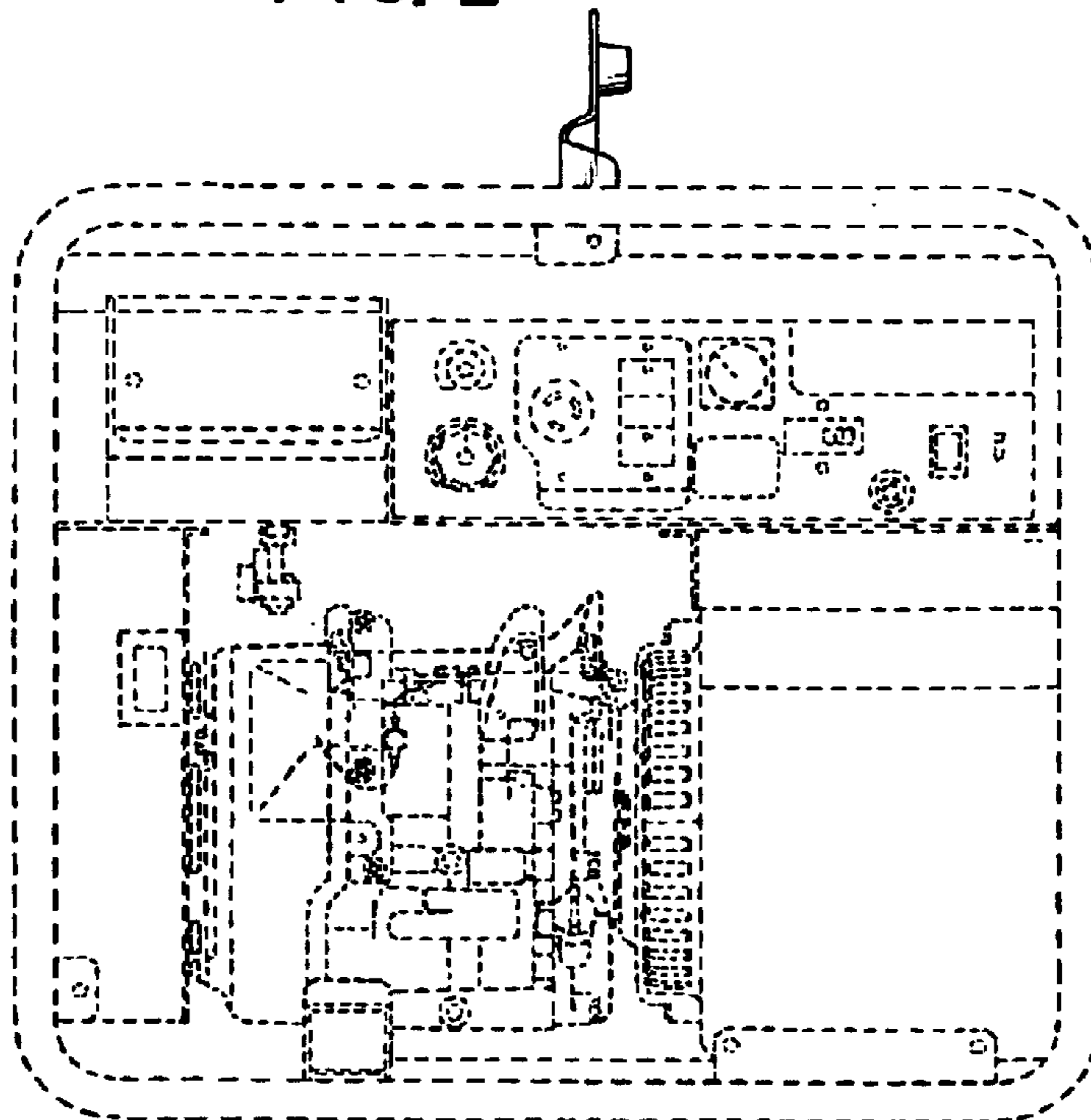


FIG. 3

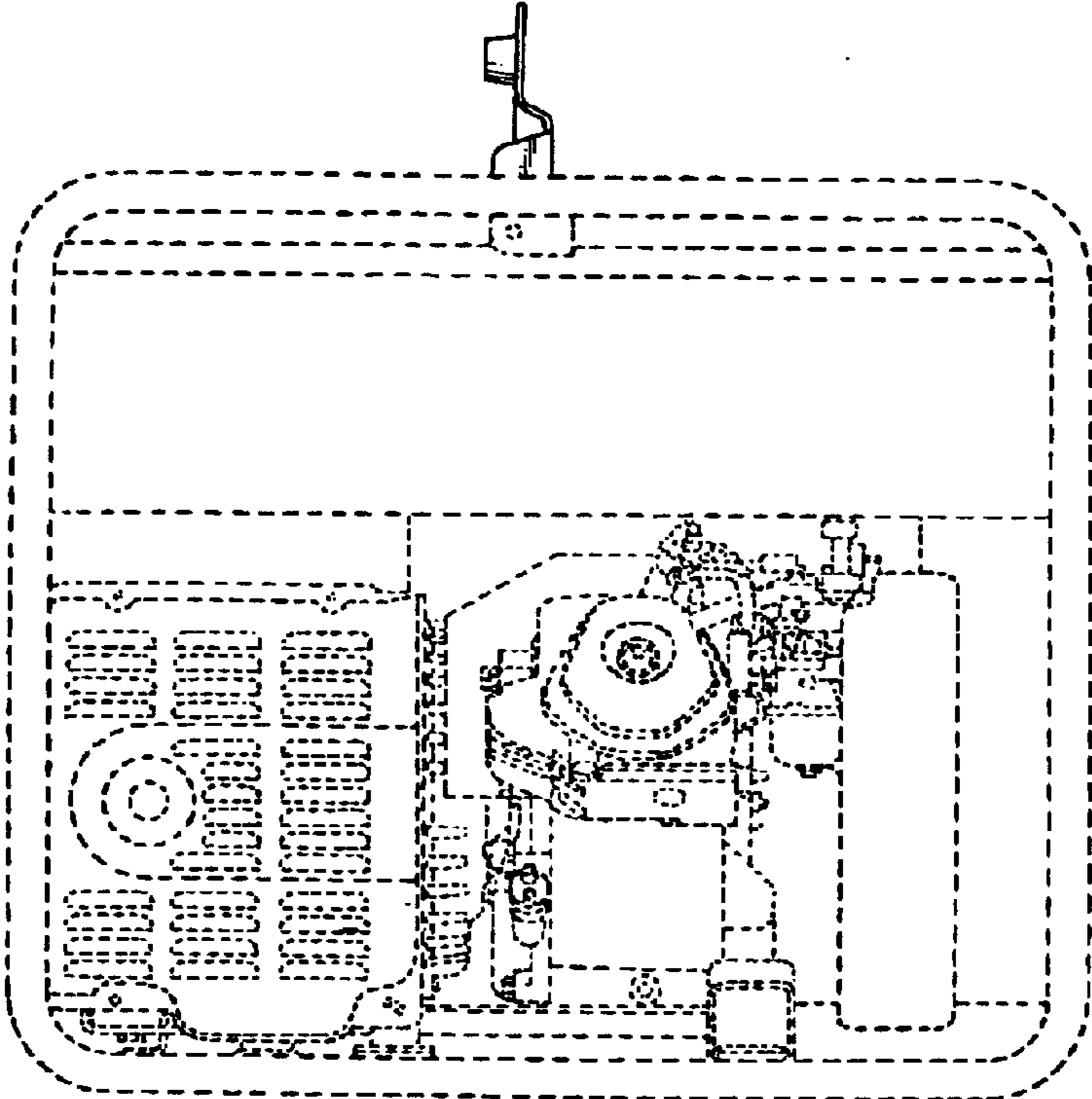


FIG. 4

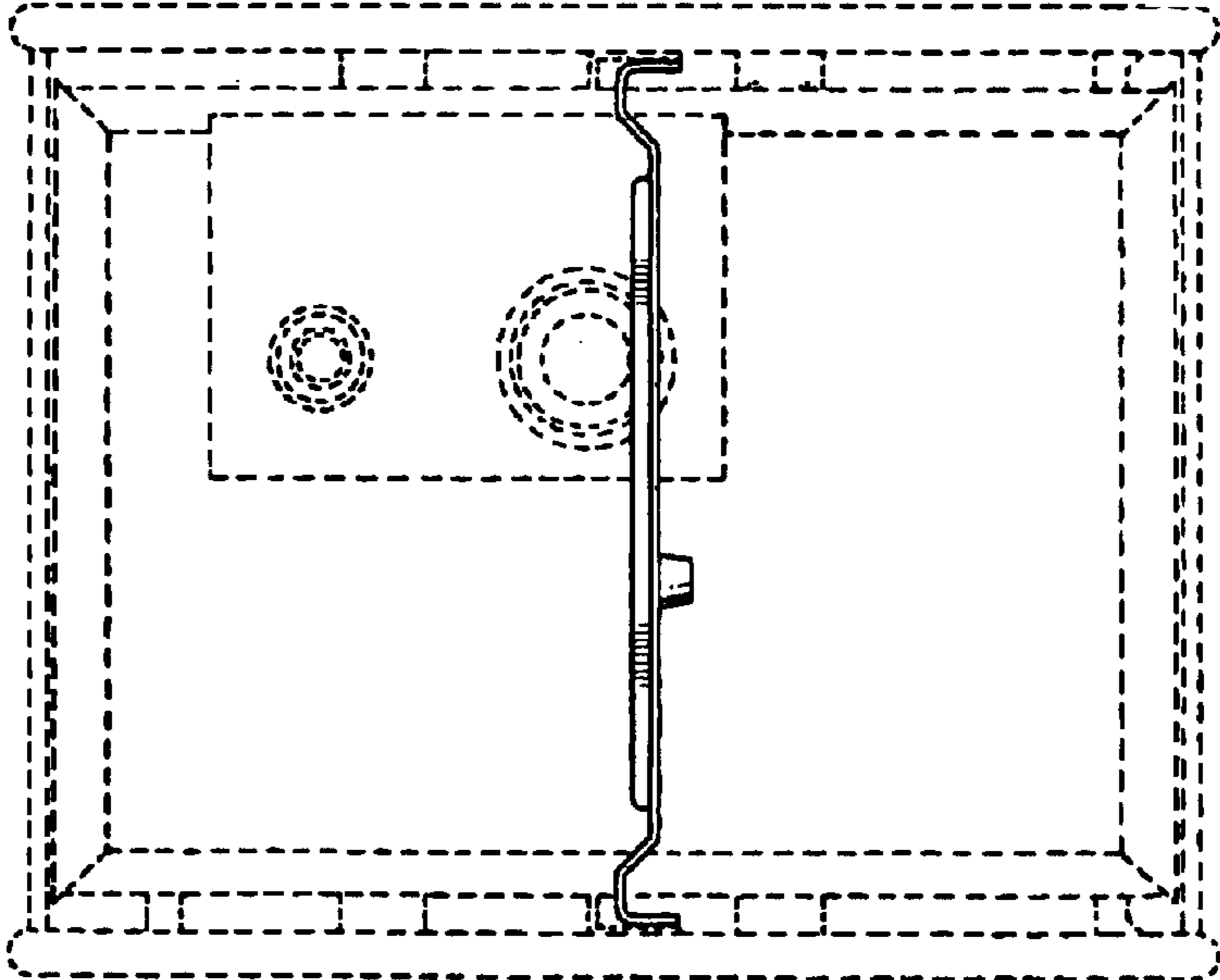


FIG. 5

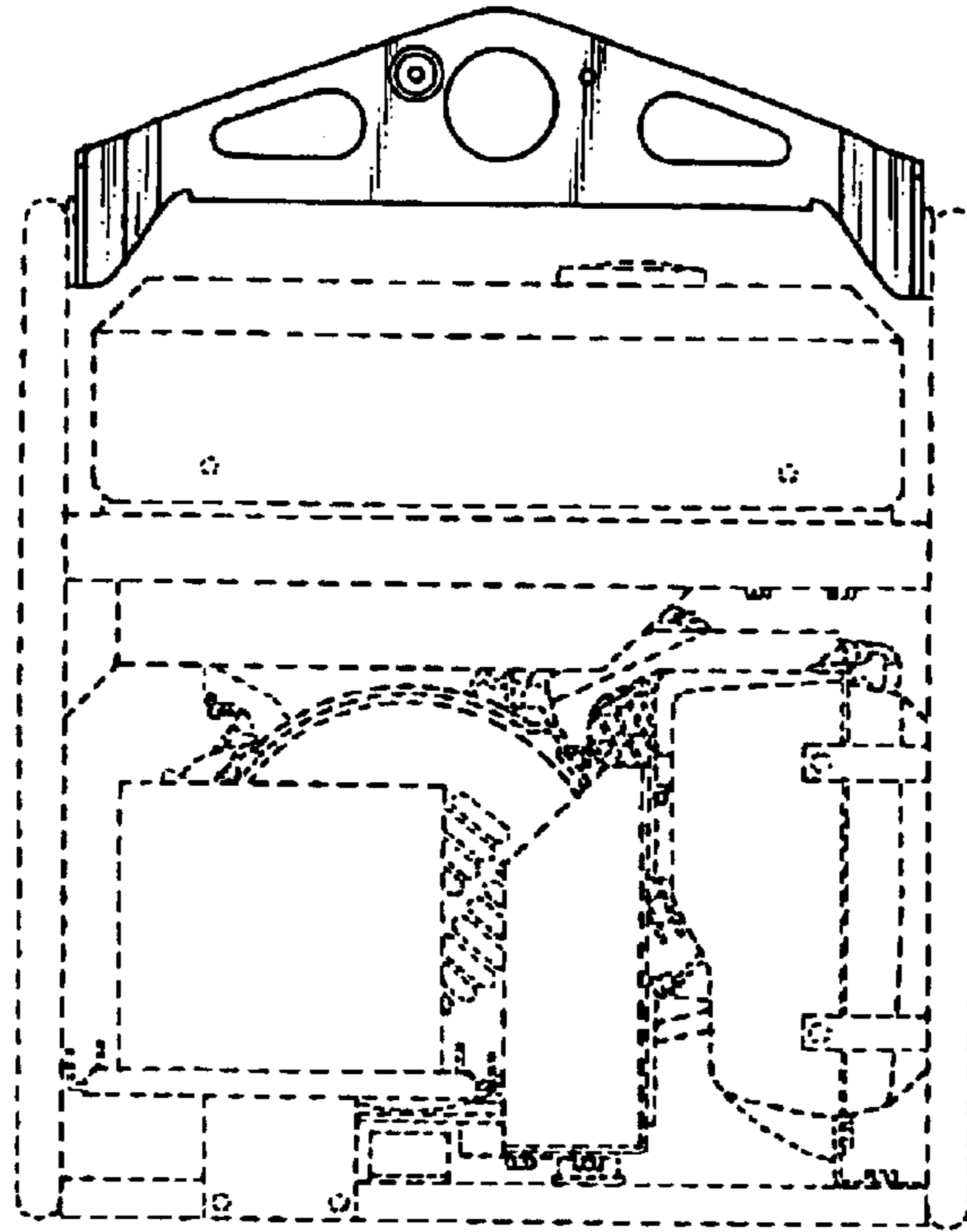


FIG. 6

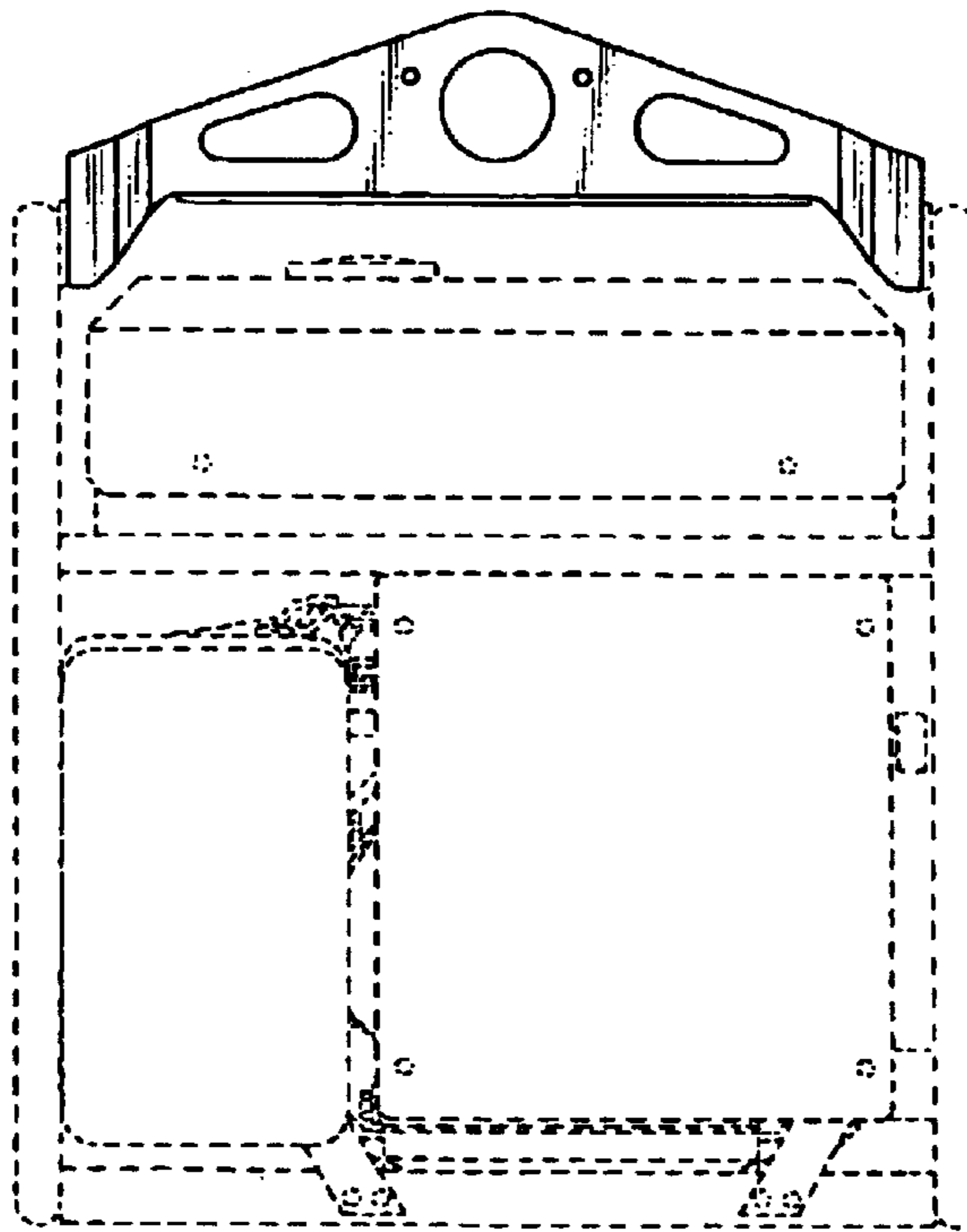


FIG. 7

