



US00D514130S

(12) **United States Design Patent** (10) **Patent No.:** **US D514,130 S**  
**Henssler et al.** (45) **Date of Patent:** **\*\* Jan. 31, 2006**

(54) **LAWNMOWER**

(75) Inventors: **Heinrich Henssler**, Schwabisch-Gmund (DE); **Martin Schultheiss**, Schwabisch-Gmund (DE)

(73) Assignee: **Gardena Manufacturing GmbH** (DE)

(\*\*) Term: **14 Years**

(21) Appl. No.: **29/217,333**

(22) Filed: **Nov. 16, 2004**

(30) **Foreign Application Priority Data**

Aug. 11, 2004 (EM) ..... 000214960-0007

(51) **LOC (8) Cl.** ..... **15-03**

(52) **U.S. Cl.** ..... **D15/14**

(58) **Field of Classification Search** ..... D15/10,  
D15/14-18; 56/12.8, 12.7, 13.4, 16.7, 17.5,  
56/202, 254, 255, 294, 11.4, 320.1, 320.2,  
56/249, 252; 280/43.17

See application file for complete search history.

(56) **References Cited**

**U.S. PATENT DOCUMENTS**

D144,953 S	*	6/1946	Wells	.....	D15/16
D161,690 S	*	1/1951	Heineke	.....	D15/16
D178,596 S	*	8/1956	Cole et al.	.....	D15/16
2,886,934 A	*	5/1959	Jepson	.....	56/11.4
2,983,093 A	*	5/1961	Heth	.....	56/16.7
D219,394 S	*	12/1970	Graham et al.	.....	D15/16
3,594,016 A	*	7/1971	Wells et al.	.....	280/43.17
D284,766 S	*	7/1986	Chai	.....	D15/16
4,738,084 A	*	4/1988	Ogano et al.	.....	
D309,310 S	*	7/1990	Fushiya et al.	.....	D15/14

**FOREIGN PATENT DOCUMENTS**

WO WO 02/062126 A1 8/2002

**OTHER PUBLICATIONS**

- Ering catalog "Garten" 2002, pp. 8 and 9.
- Asgatec catalog "Assmann Gartentechnik" 2003, p. 13.
- Einhell catalog "Gartentechnik" 2001.
- Bosch catalog "Das Bosch-Gartengerate-Programm" 2002.
- MEP—Marazzini S.p.A. catalog "Erma Collection" 2001–2002, p. 5.
- Valex catalog "Garden" 2003, pp. 12 and 13.
- Wolf Garten catalog "Das Neue Gartenjahr" 2000.
- Klippo catalog Klippo 2002, p. 10.
- Solo catalog "Komplett-Programm" 2003.
- Viking catalog "Viking" 2002–2003, pp. 12 and 13.
- Stiga catalog "Stiga Garden Range" 2003, p. 27.
- Ikra catalog "Geratekatalog" 2003, p. 9.
- Herkules "Herkules-Motorgerate" 2002–2003, p. 7.
- Dolmar catalog "Dolmar" 2002–2003, p. 35.
- Granja "Granja" 2001.
- Flymo catalog "Flymo" 2002.
- Toro "A-Programm 2003" 2003, p. 1.
- AL-KO catalog "Innovationskraft" 2003, pp. 6 and 7.
- AL-KO catalog "Hol dir die Kraft" 2003, p. 35.

\* cited by examiner

*Primary Examiner*—Stella Reid

*Assistant Examiner*—Mark A. Goodwin

(74) *Attorney, Agent, or Firm*—Akerman Senterfitt

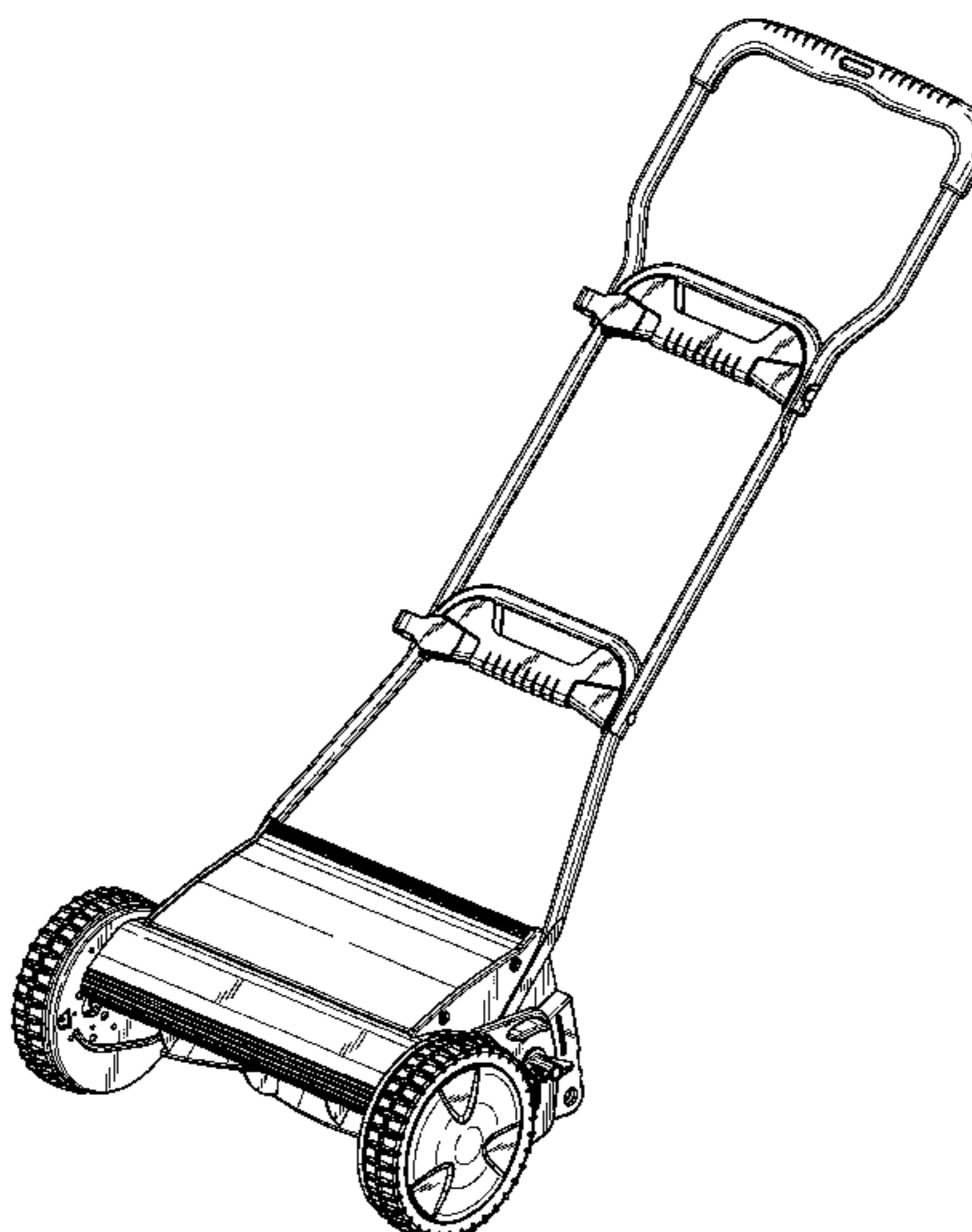
(57) **CLAIM**

The ornamental design for a lawnmower, as shown and described.

**DESCRIPTION**

- FIG. 1: is a side perspective view of the lawnmower showing our new design;
- FIG. 2: is a side elevation view thereof;
- FIG. 3: is the opposite side elevation view thereof;
- FIG. 4: is a front elevation view thereof;
- FIG. 5: is a rear elevation view thereof;
- FIG. 6: is a bottom plan view thereof; and,
- FIG. 7: is a top plan view thereof.

**1 Claim, 6 Drawing Sheets**



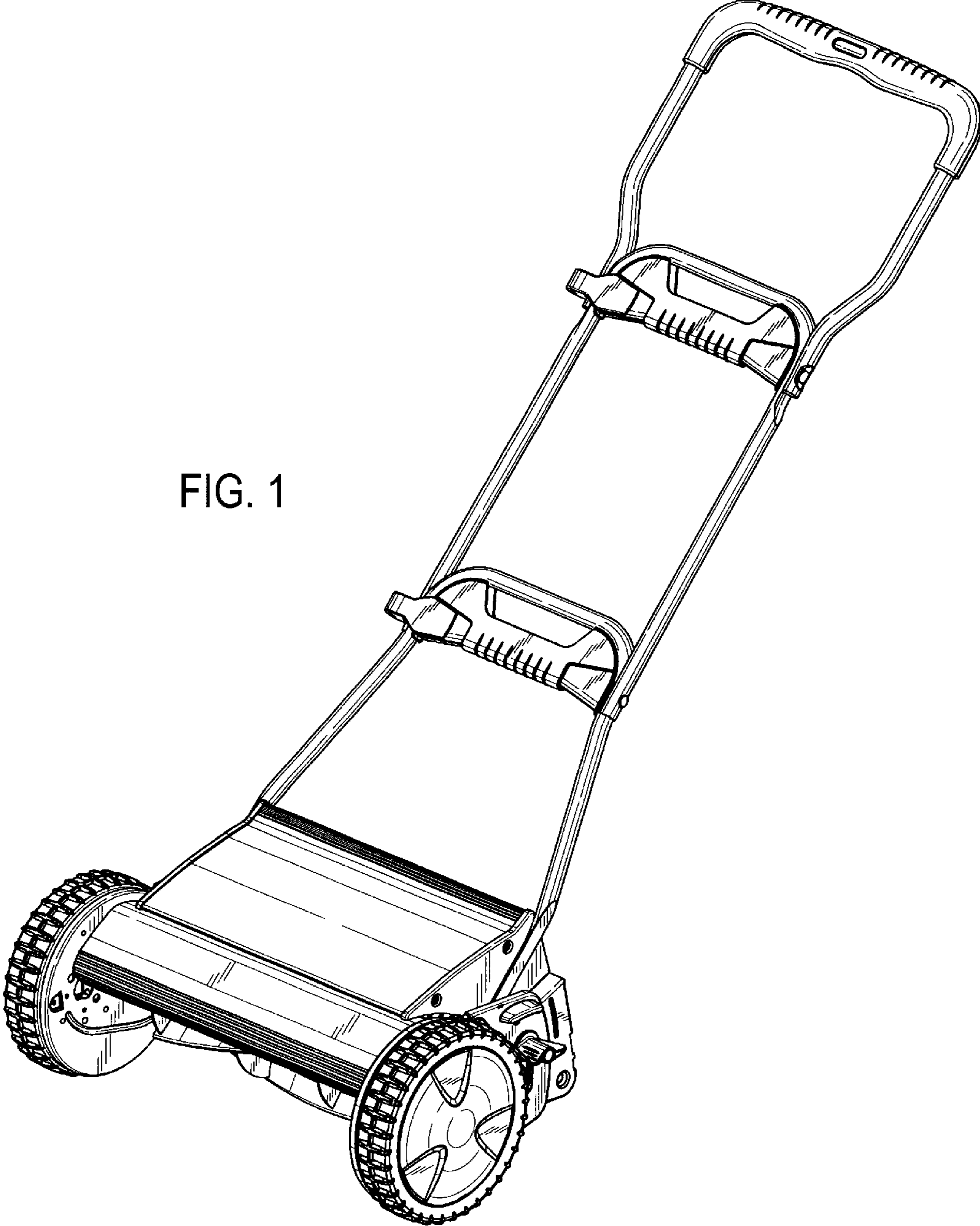


FIG. 1

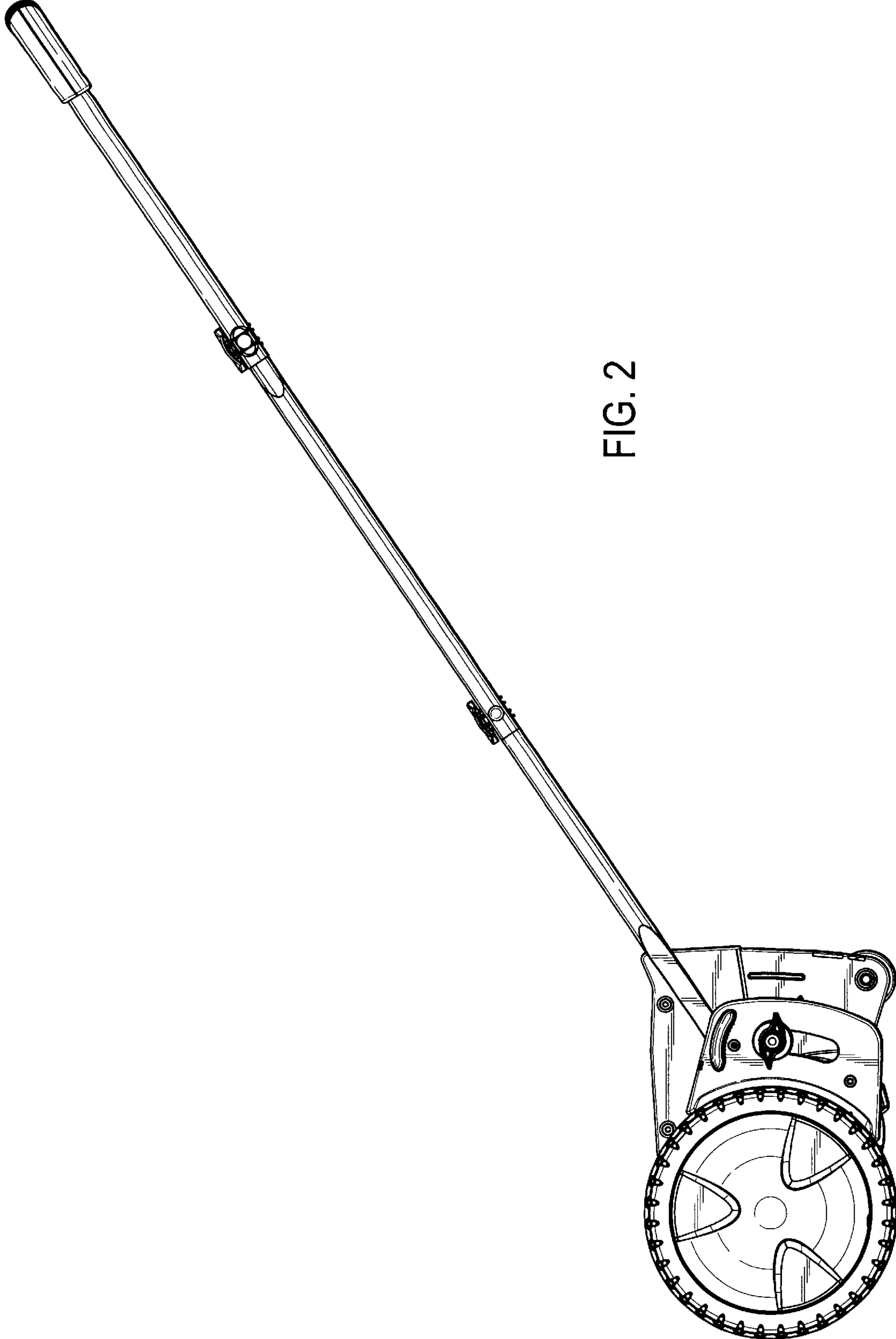


FIG. 2

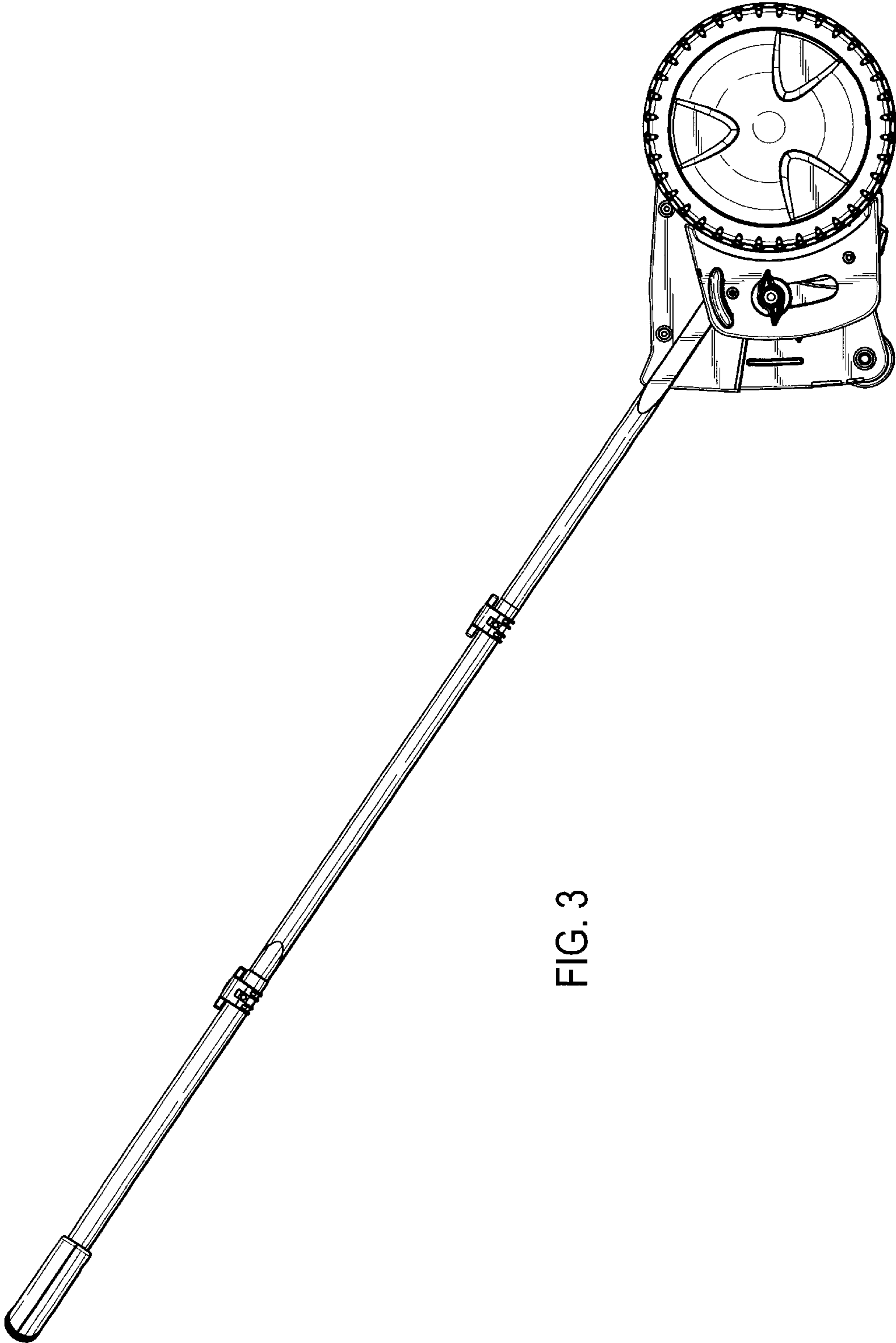


FIG. 3



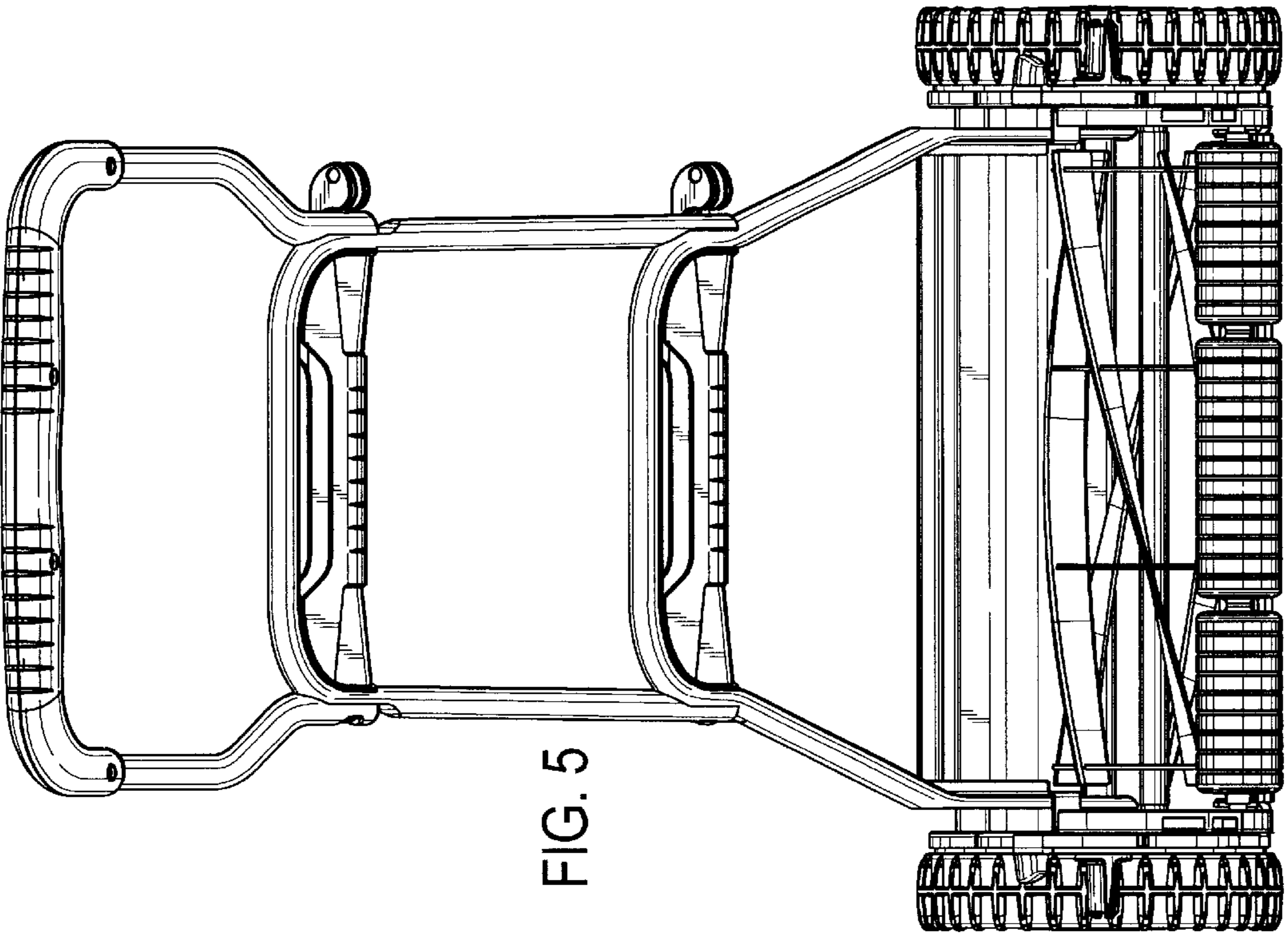


FIG. 5

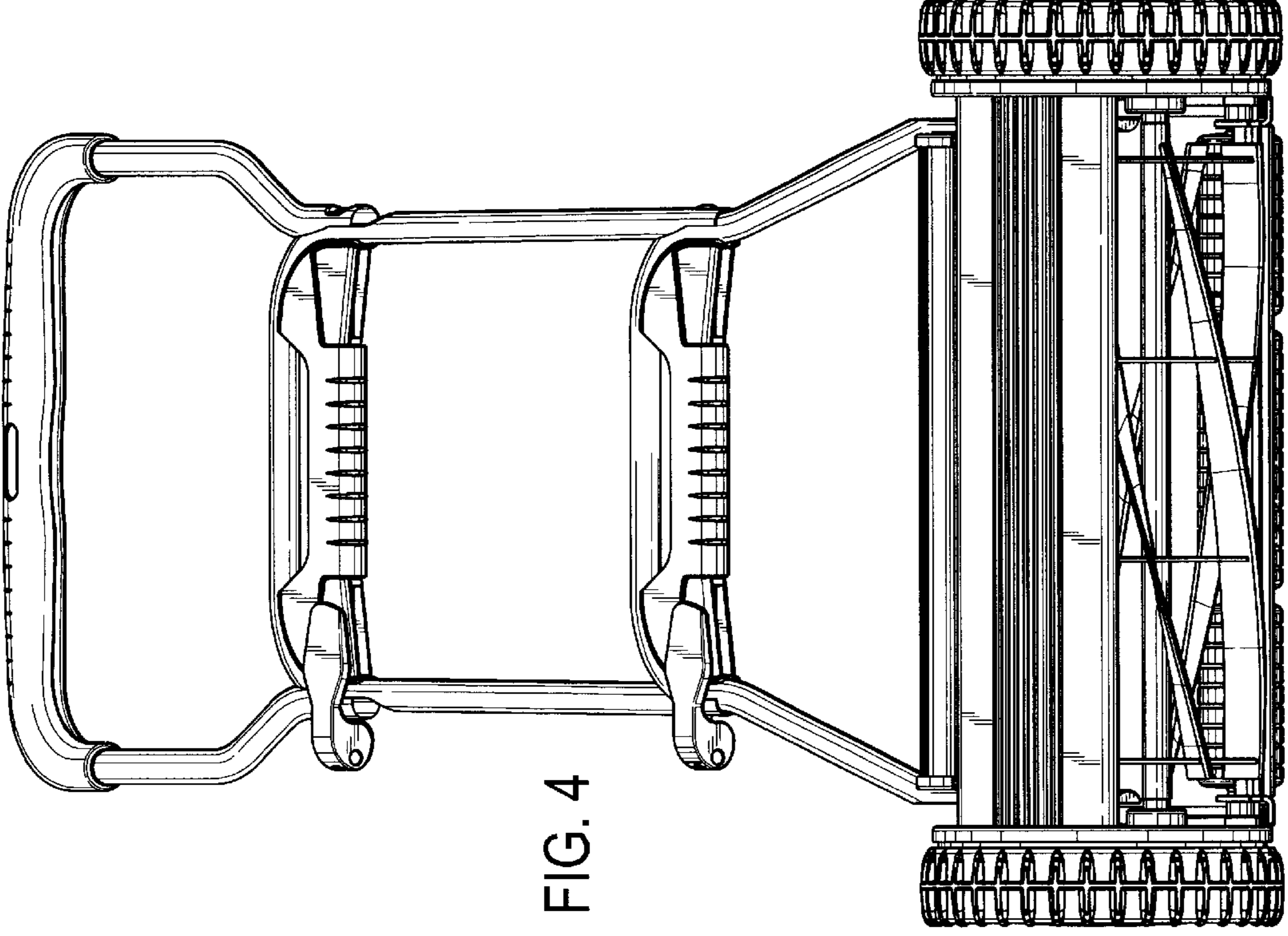


FIG. 4

FIG. 6

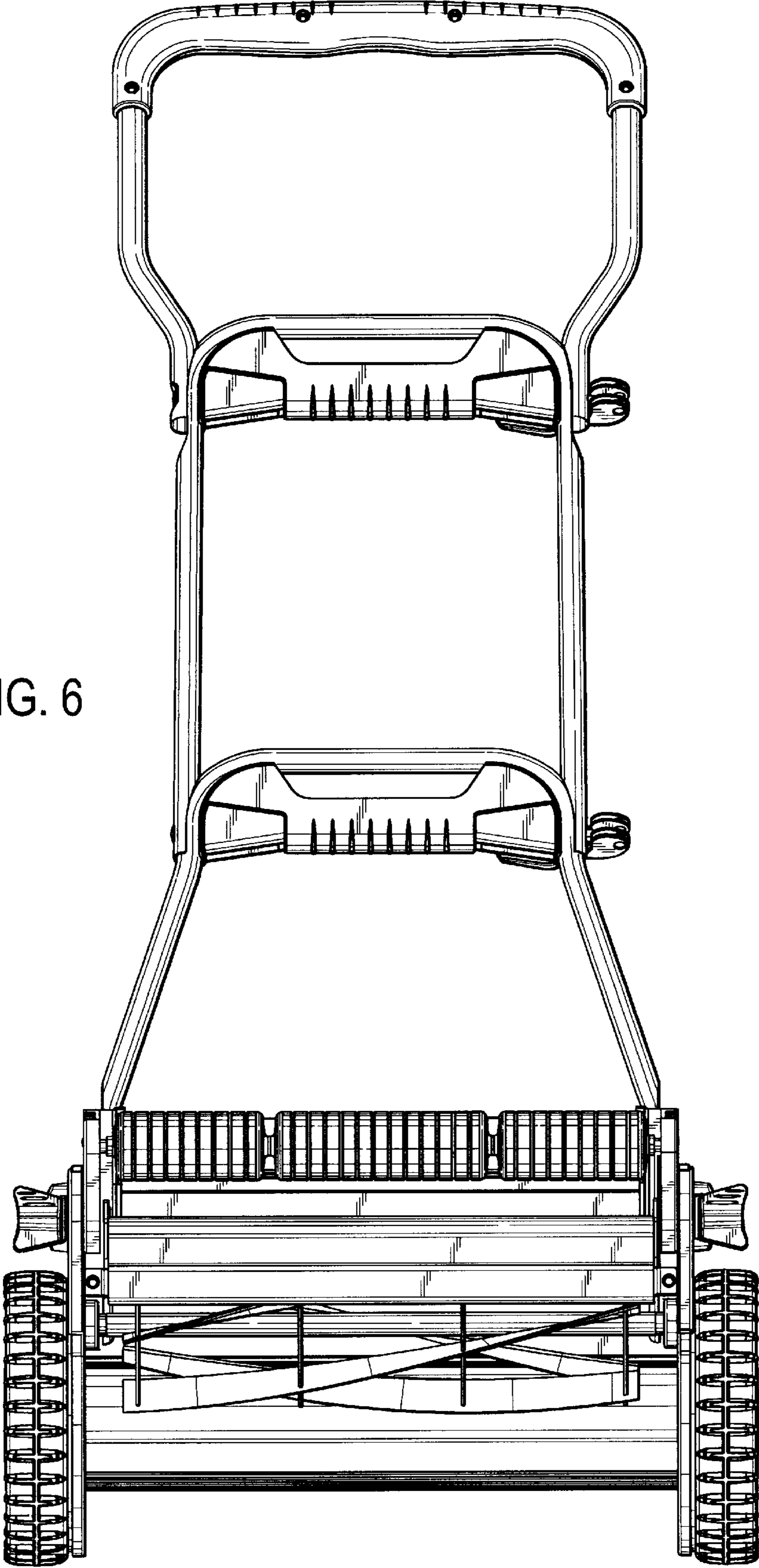


FIG. 7

