



US00D514128S

(12) **United States Design Patent**
Lee

(10) **Patent No.:** **US D514,128 S**
(45) **Date of Patent:** **** Jan. 31, 2006**

(54) **TREE BRANCH AND LEAF CUTTER**

(76) **Inventor:** **Hsin-Chih Chung Lee**, No. 21-8,
Shang San Cho Woo, Wuchang-Li,
Chungli City, Taoyuan Hsien (TW)

(**) **Term:** **14 Years**

(21) **Appl. No.:** **29/220,229**

(22) **Filed:** **Dec. 27, 2004**

(51) **LOC (8) Cl.** **15-03**

(52) **U.S. Cl.** **D15/10**

(58) **Field of Classification Search** D15/10,
D15/28; D8/1; 241/101.78, 92, 36, 165.5,
241/282.2, 194, 101.2, 73, 55; 56/16.9
See application file for complete search history.

(56) **References Cited**

U.S. PATENT DOCUMENTS

4,824,034 A * 4/1989 Baker 241/101.2
4,860,961 A * 8/1989 Hilgarth 241/92
D323,512 S * 1/1992 D'Aleo et al. D15/28

D328,603 S * 8/1992 Piltz et al. D15/10
D365,000 S 12/1995 Chung D8/1
5,669,563 A * 9/1997 Gearing et al. 241/101.78
D457,532 S 5/2002 Jong D15/10

* cited by examiner

Primary Examiner—Mitchell Siegel
Assistant Examiner—Mark A. Goodwin

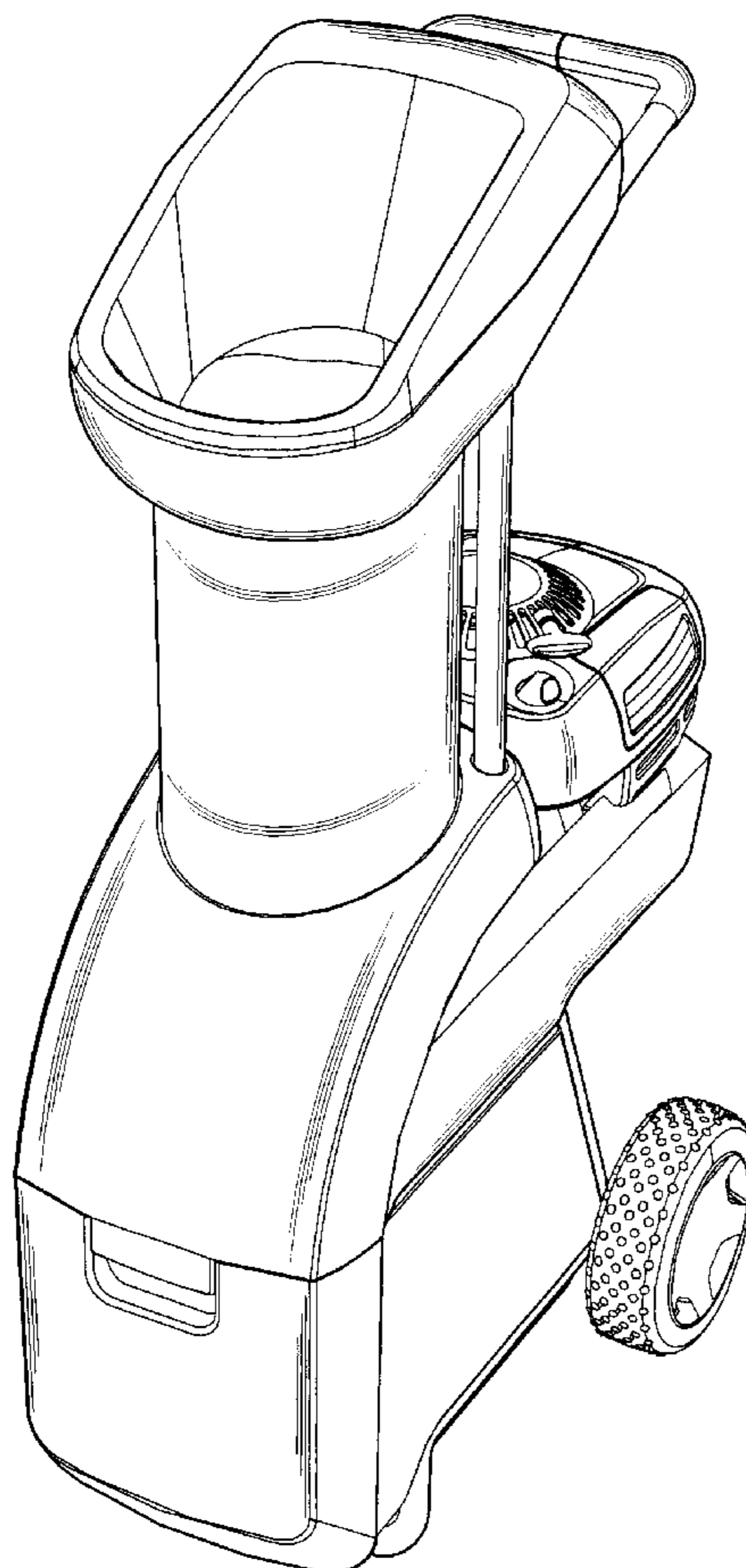
(57) **CLAIM**

The ornamental design for a tree branch and leaf cutter, as shown and described.

DESCRIPTION

FIG. 1 is a perspective view of tree branch and leaf cutter showing my new design;
FIG. 2 is a front elevational view thereof;
FIG. 3 is a rear elevational view thereof;
FIG. 4 is a left side elevational view thereof;
FIG. 5 is right side elevational view thereof;
FIG. 6 is a top view thereof; and,
FIG. 7 is a bottom view thereof.

1 Claim, 7 Drawing Sheets



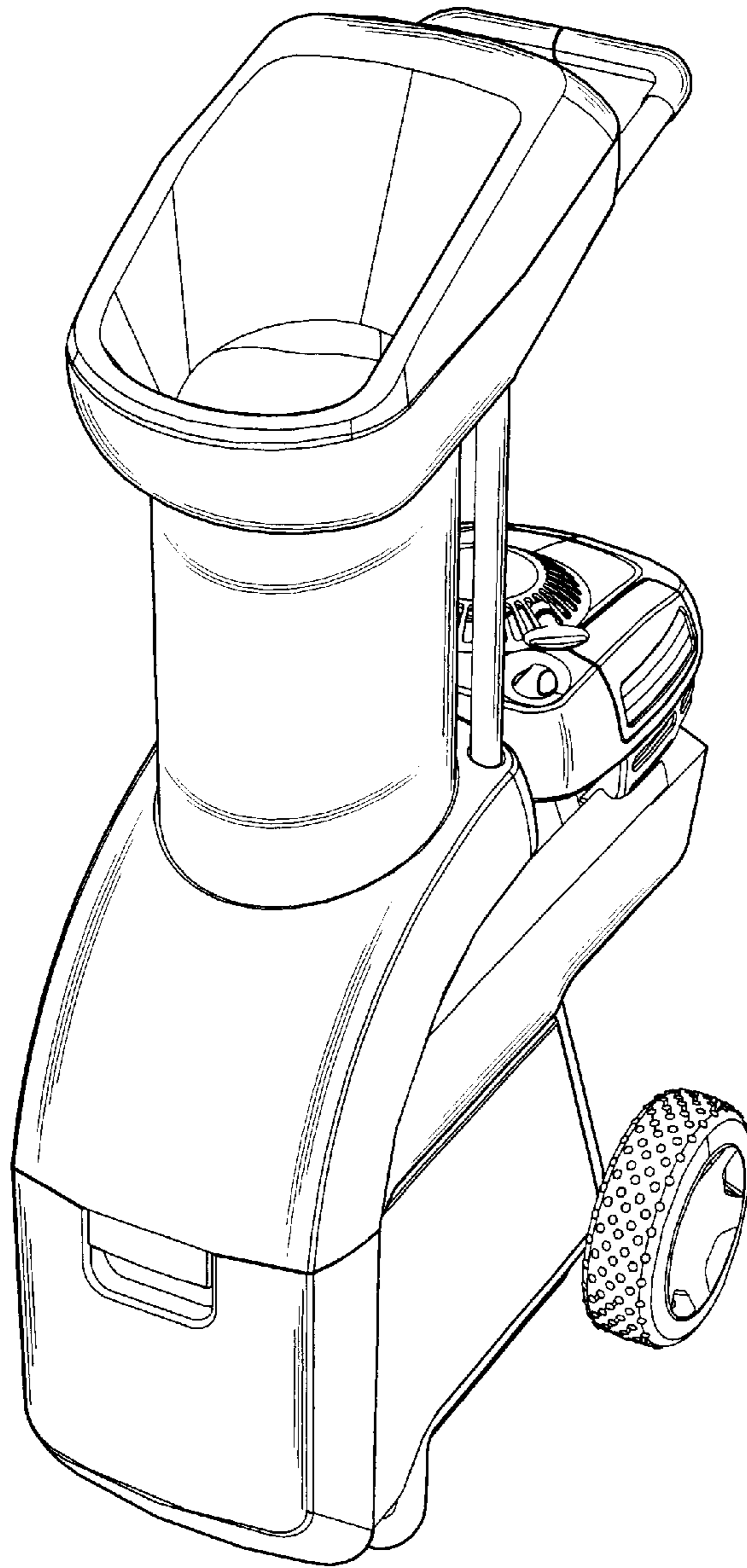


FIG. 1

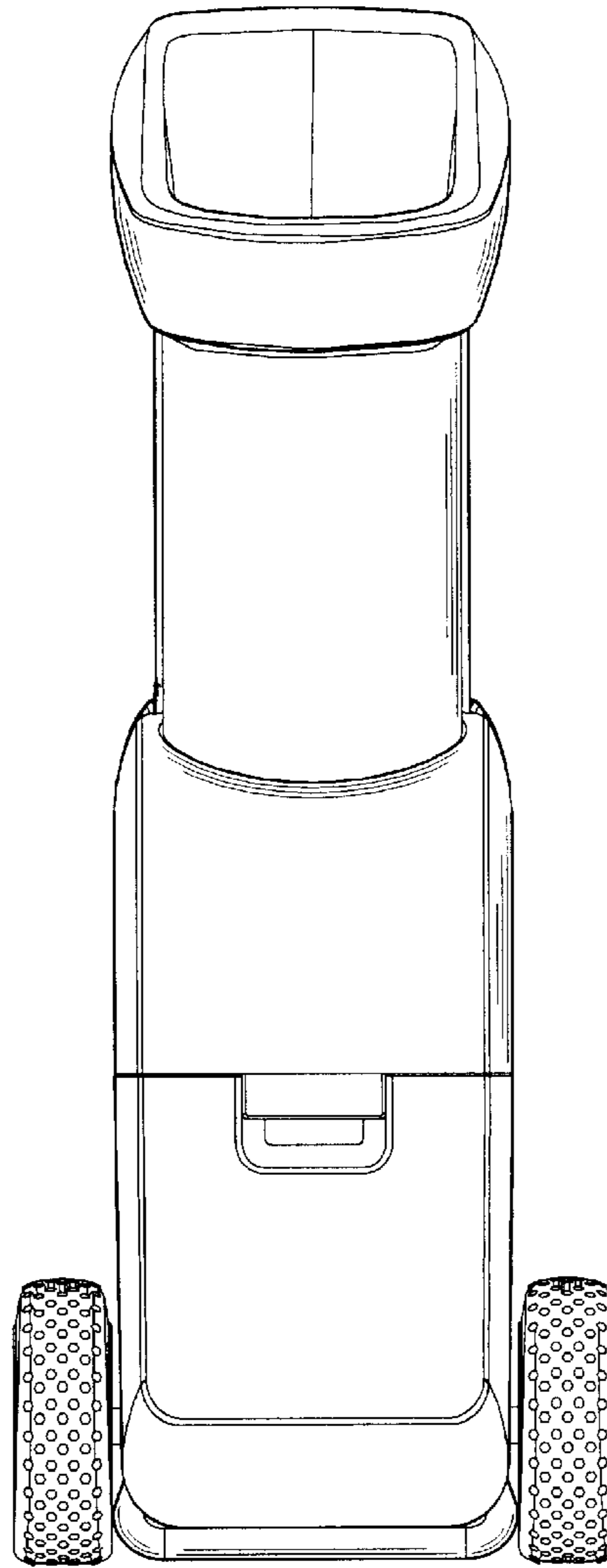


FIG. 2

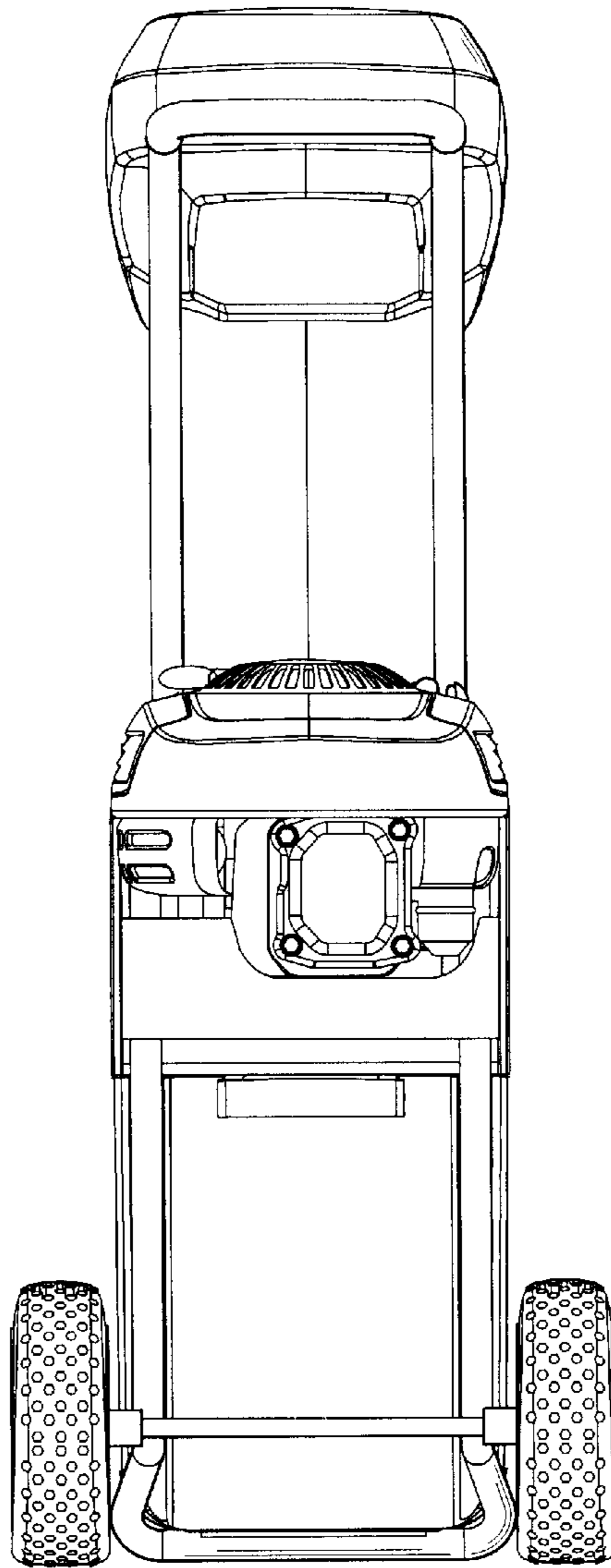


FIG. 3

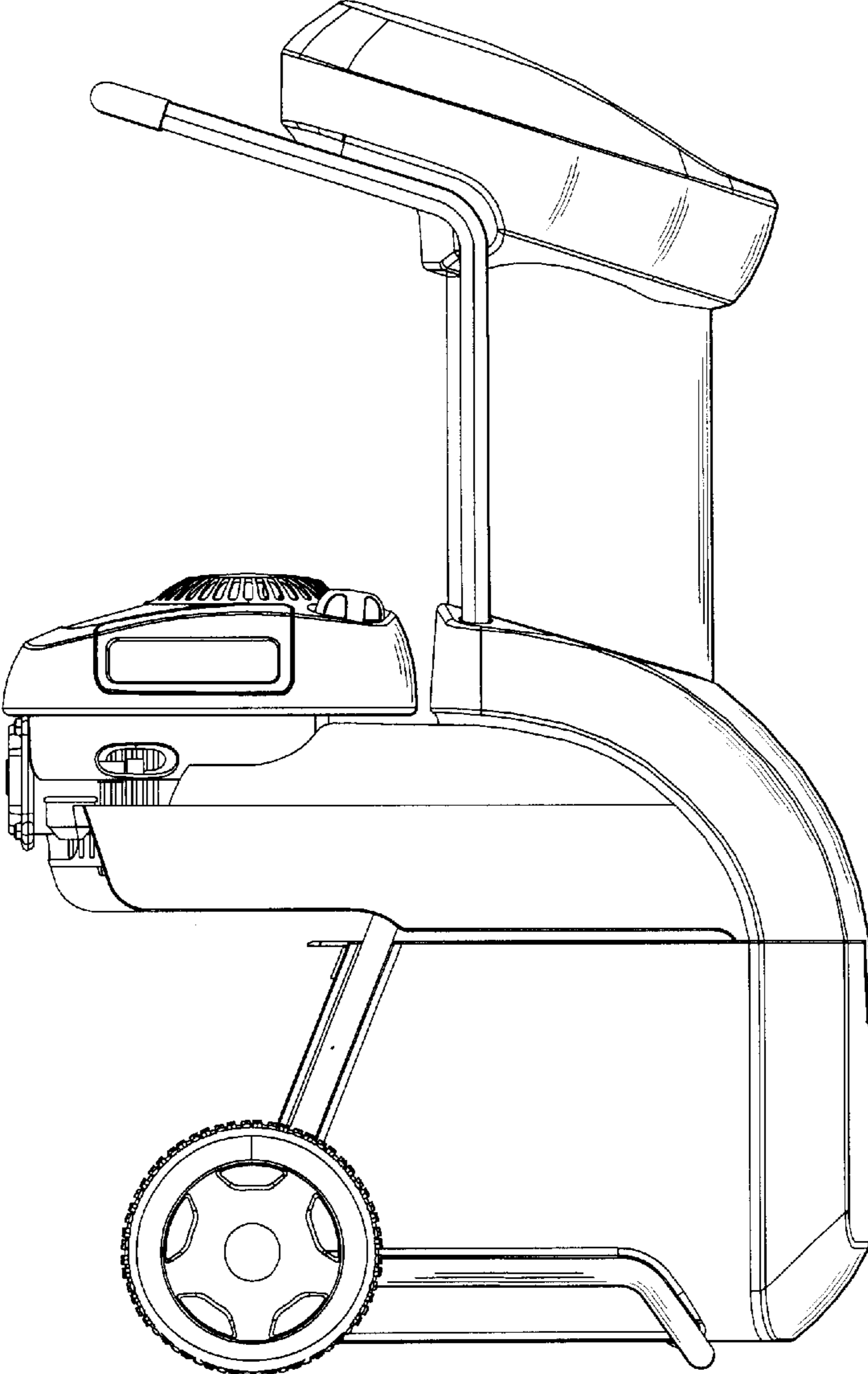


FIG. 4

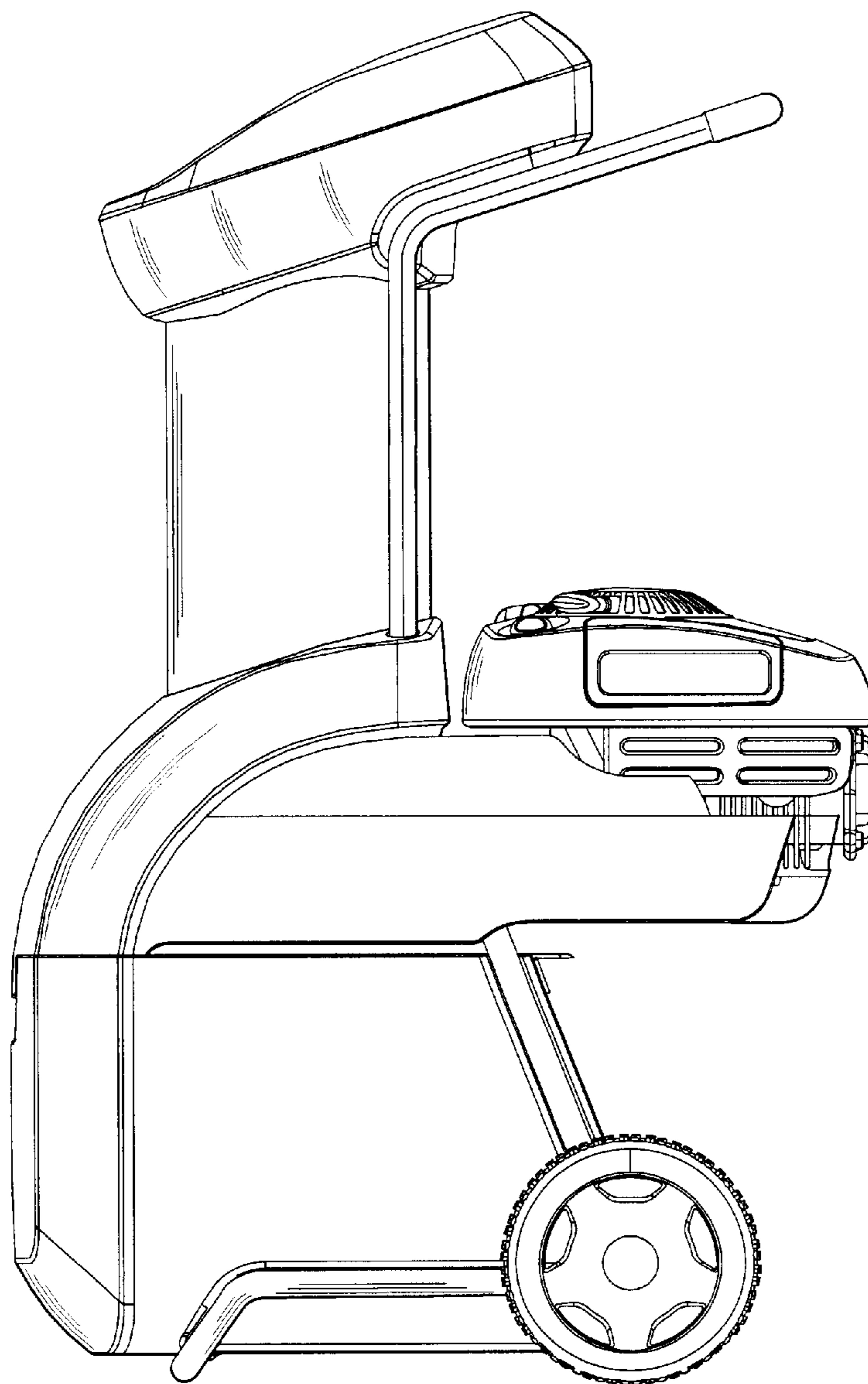


FIG. 5

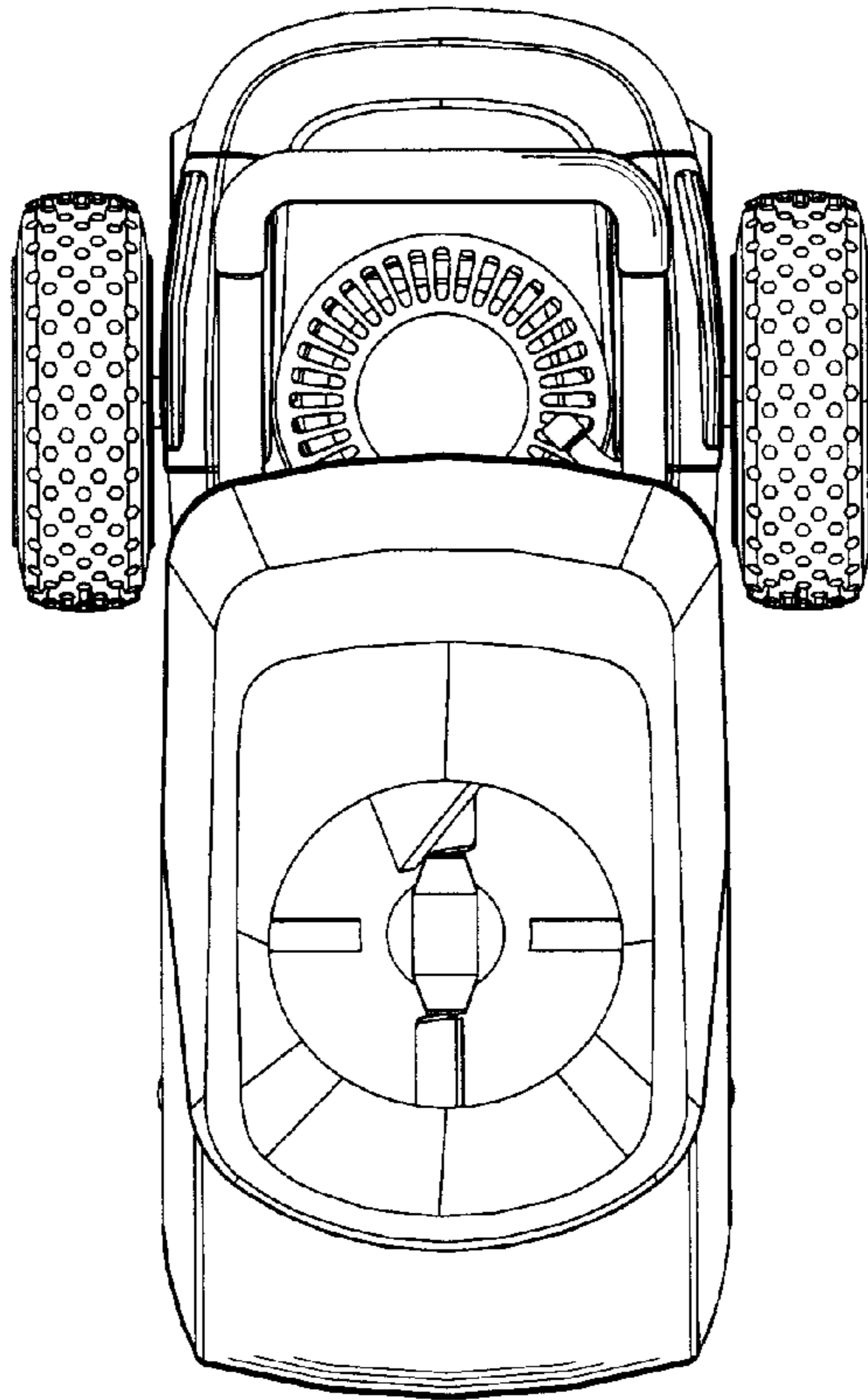


FIG. 6

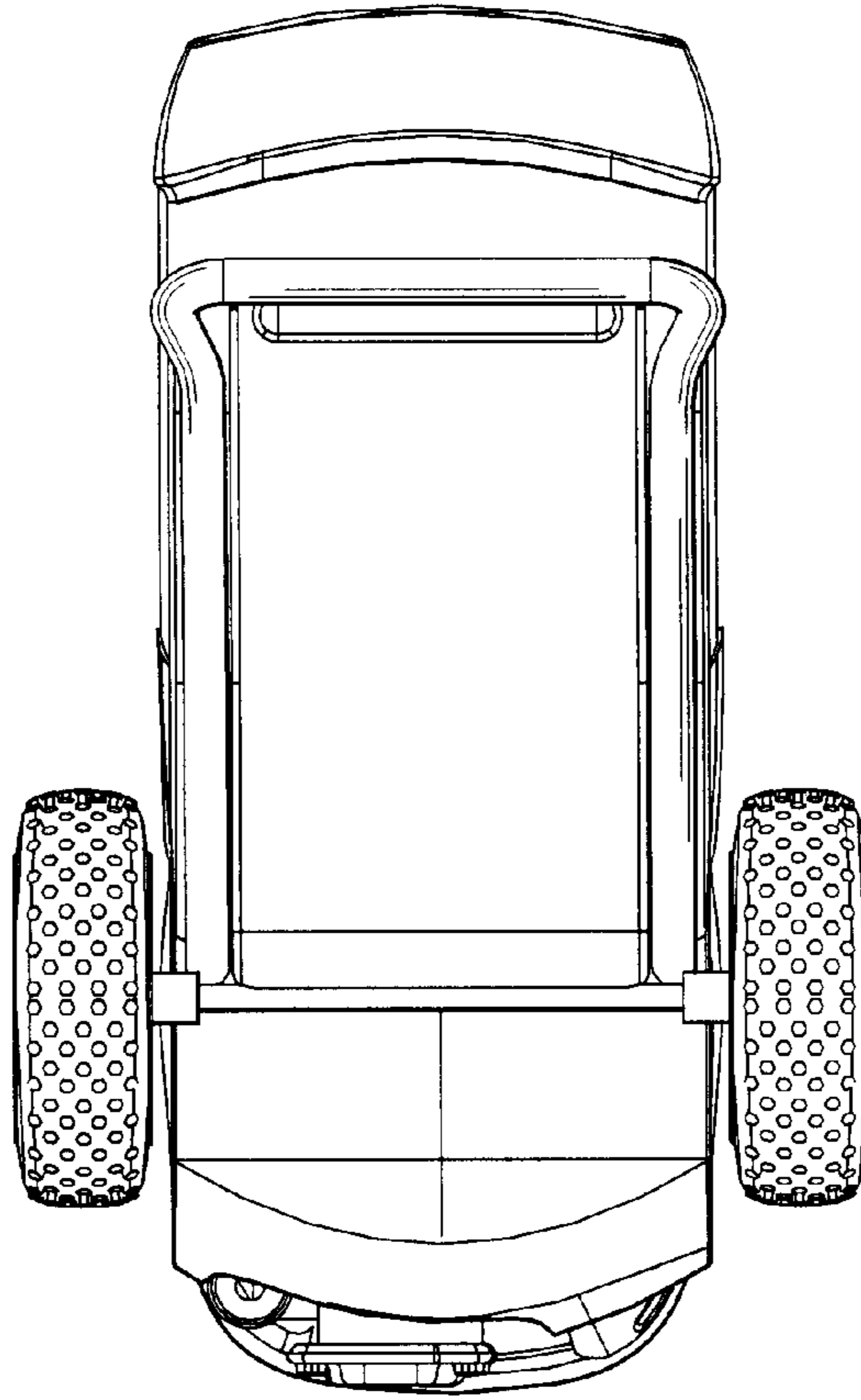


FIG. 7