



US00D514127S

(12) **United States Design Patent**  
**Christianson**

(10) **Patent No.:** **US D514,127 S**

(45) **Date of Patent:** **\*\* Jan. 31, 2006**

(54) **AIR COMPRESSOR**

(75) **Inventor:** **Tristan M. Christianson**, San Francisco, CA (US)

(73) **Assignee:** **Sharper Image Corporation**, San Francisco, CA (US)

(\*\*) **Term:** **14 Years**

(21) **Appl. No.:** **29/211,316**

(22) **Filed:** **Aug. 13, 2004**

(51) **LOC (8) Cl.** ..... **15-02**

(52) **U.S. Cl.** ..... **D15/9**

(58) **Field of Classification Search** ..... D15/7-9;  
D23/231, 232; 417/410.4, 359, 415, 410.3,  
417/234, 229, 321, 265, 405

See application file for complete search history.

(56) **References Cited**

**U.S. PATENT DOCUMENTS**

D375,962 S	*	11/1996	Wong	.....	D15/9
D384,081 S	*	9/1997	Wang	.....	D15/7
D394,440 S	*	5/1998	Chen	.....	D15/9
D395,051 S	*	6/1998	Bonzer	.....	D15/9
D398,011 S	*	9/1998	Wang	.....	D15/9

D409,627 S	*	5/1999	Wang	.....	D15/9
D441,376 S	*	5/2001	Gohil et al.	.....	D15/7
D498,243 S	*	11/2004	Chou	.....	D15/7
D499,426 S	*	12/2004	Chou	.....	D15/7

\* cited by examiner

*Primary Examiner*—Ralf Seifert

(74) *Attorney, Agent, or Firm*—Bell, Boyd & Lloyd LLC

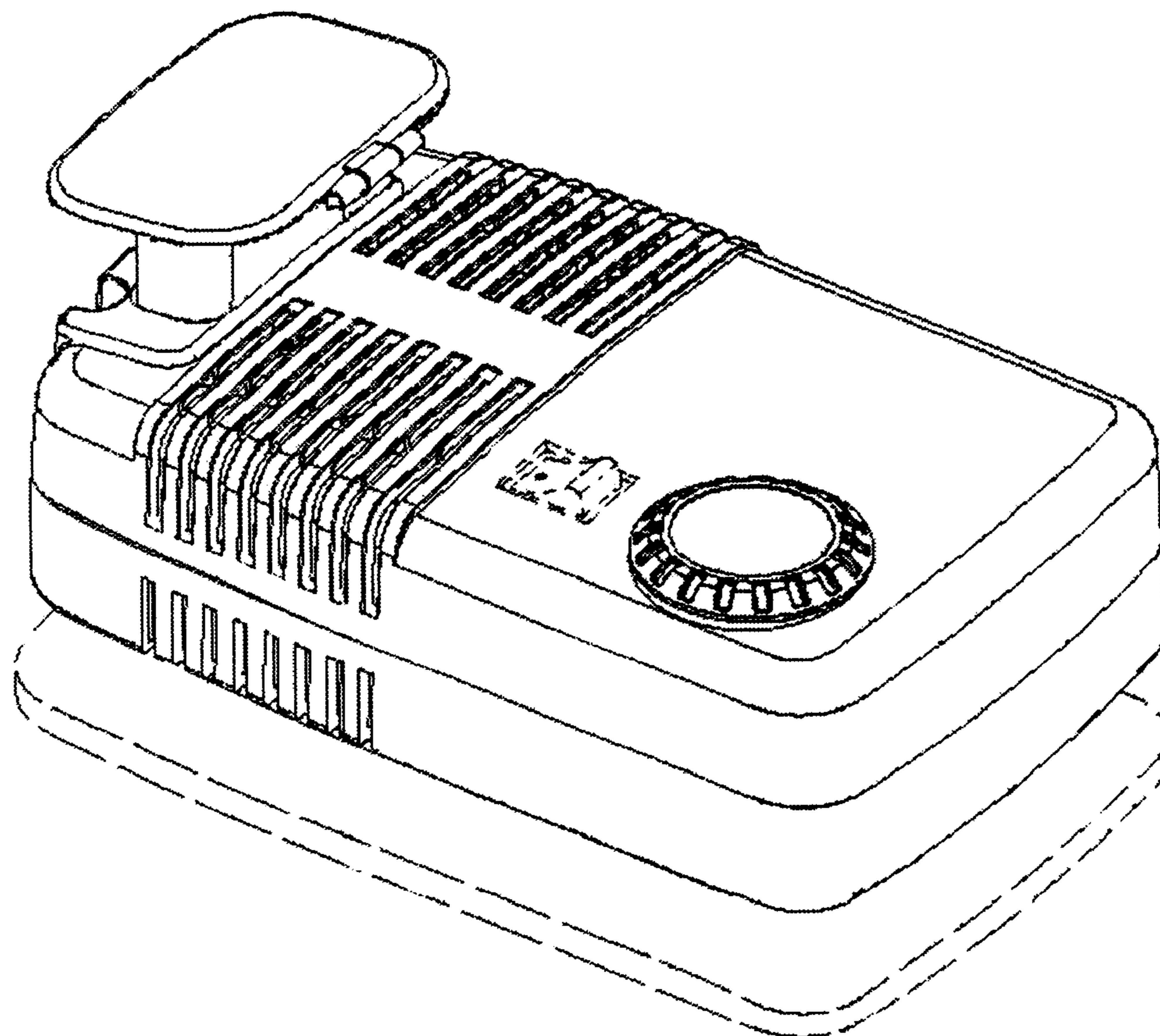
(57) **CLAIM**

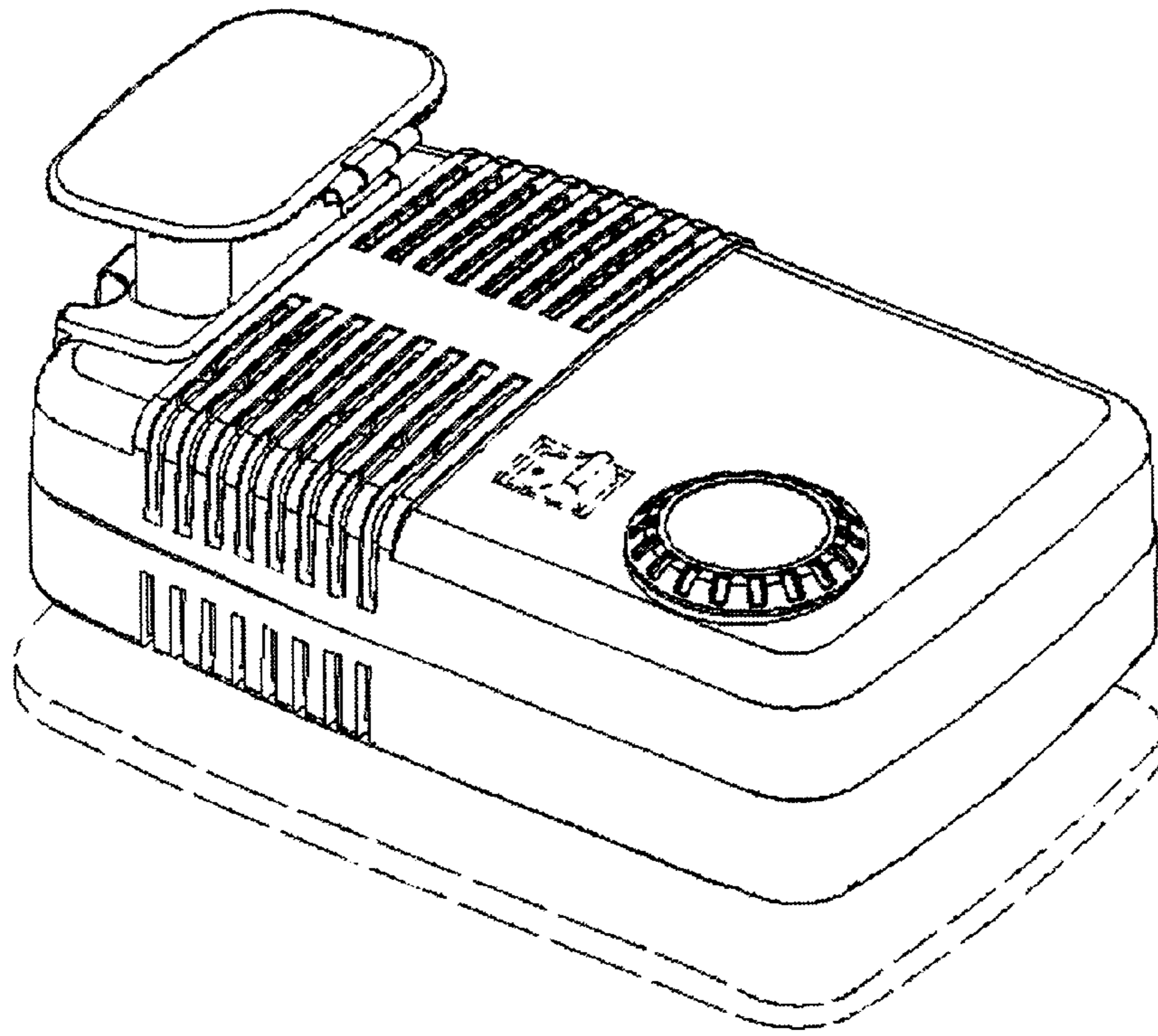
The ornamental design for an air compressor, as shown and described.

**DESCRIPTION**

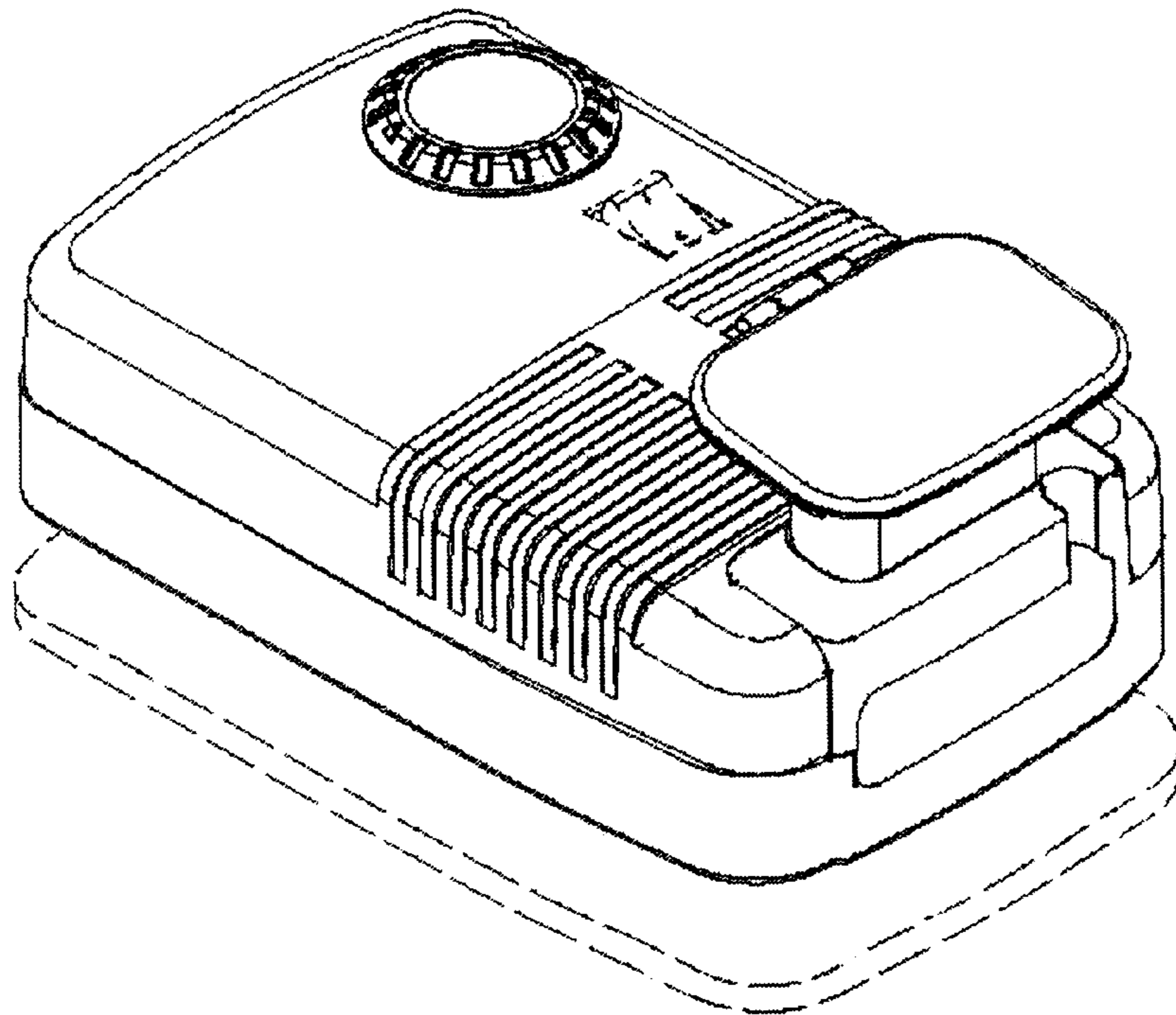
FIG. 1 is a front perspective view of an air compressor, showing my new design;  
 FIG. 2 is a rear perspective view thereof;  
 FIG. 3 is a front view thereof;  
 FIG. 4 is a rear view thereof;  
 FIG. 5 is a top view thereof; and,  
 FIG. 6 is a right side view thereof; a left side view is a mirror image of the right side view, and thus omitted.  
 The portions shown in broken lines in FIGS. 1-6 are for illustrative purposes only and form no part of the claimed design. The bottom view is flat and non-ornamented, and thus omitted.

**1 Claim, 3 Drawing Sheets**

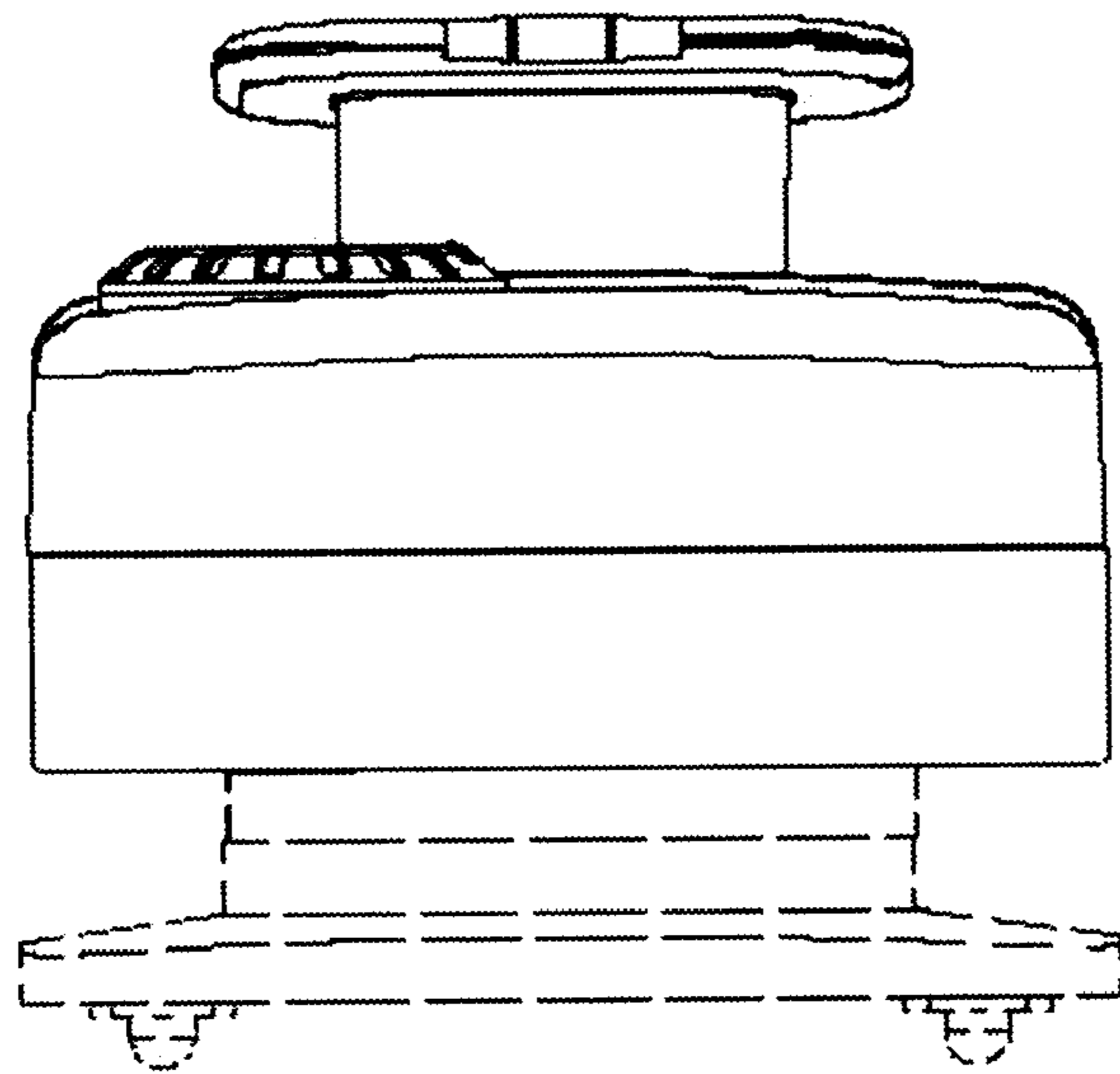




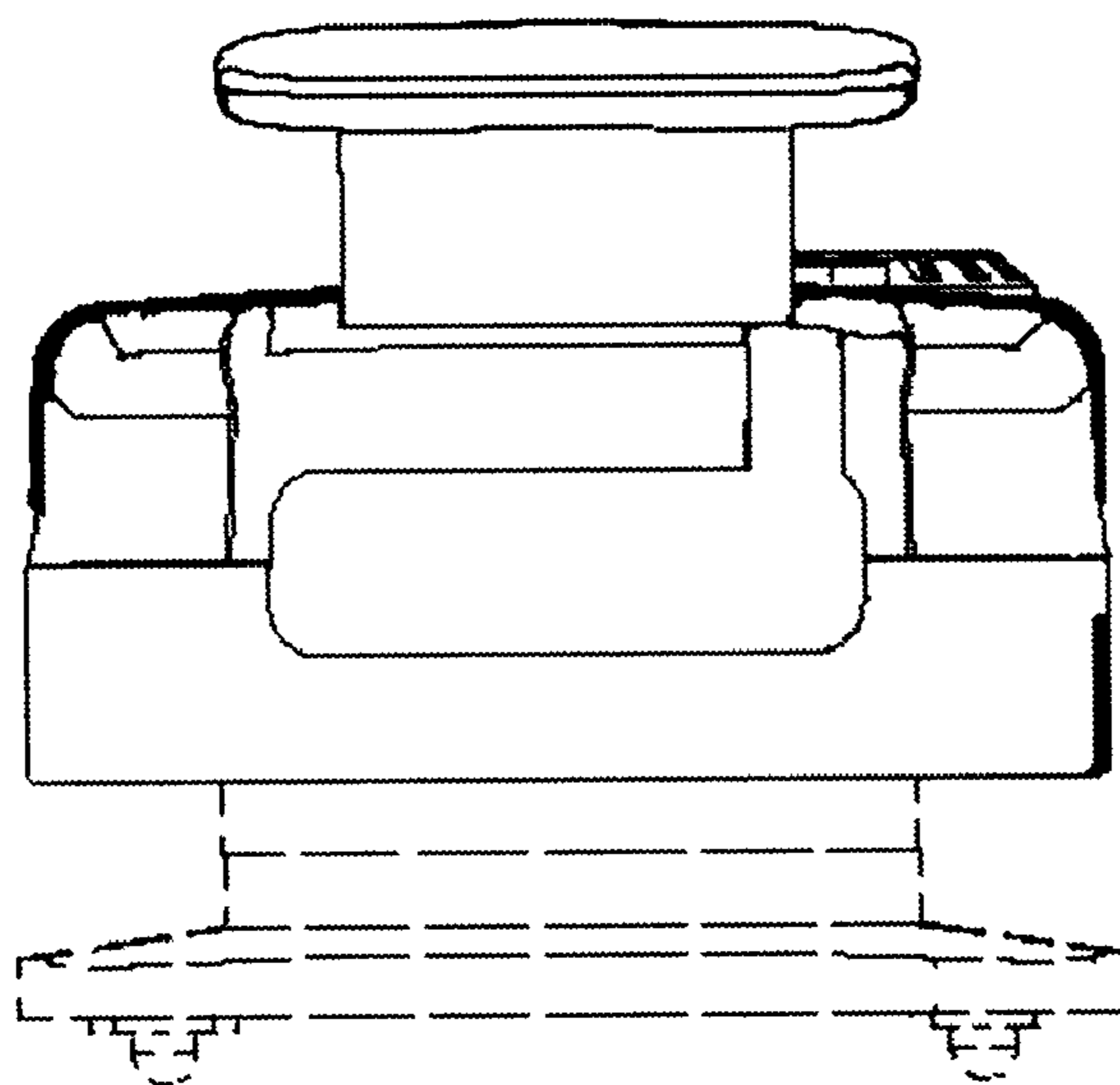
*FIG. 1*



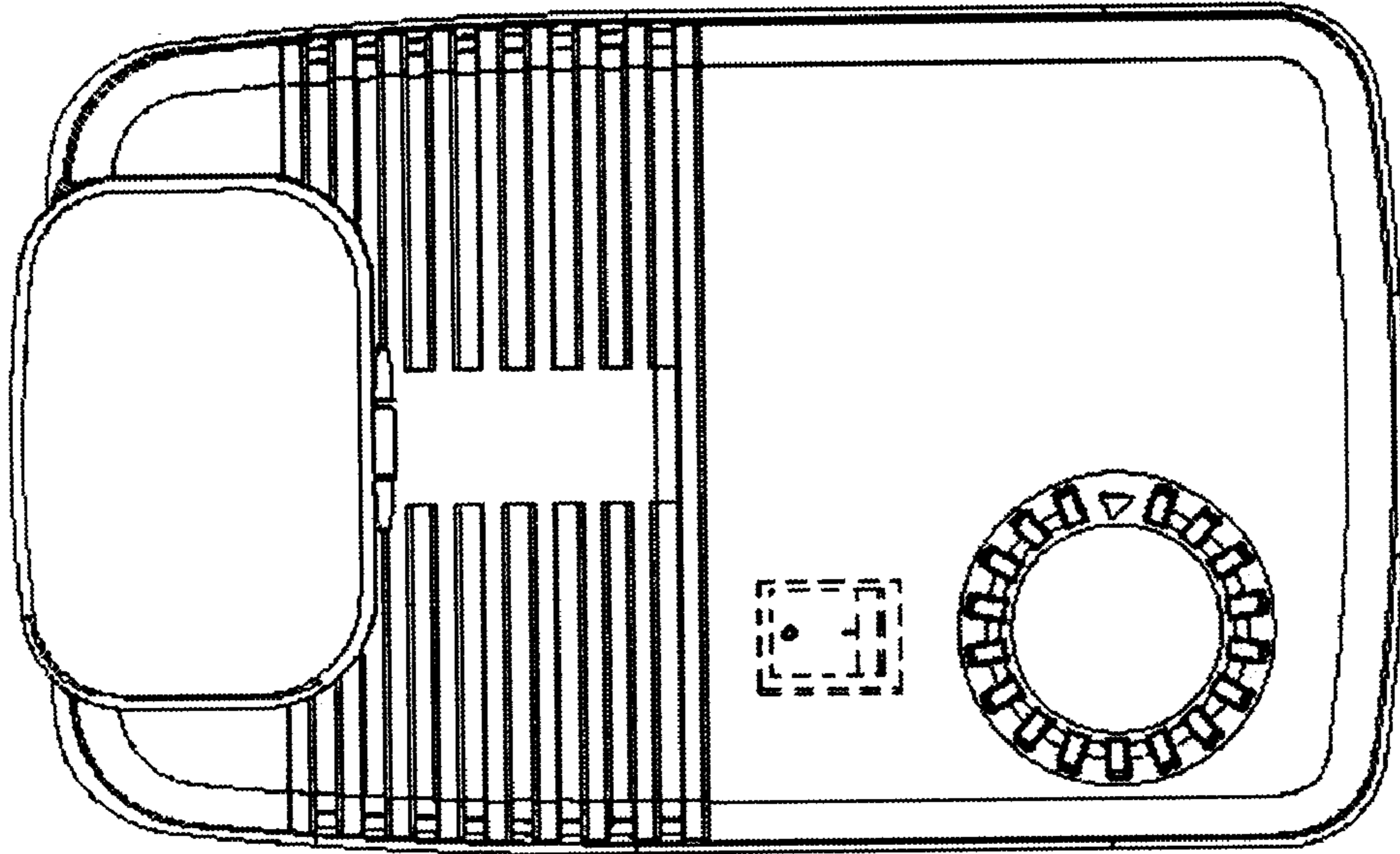
*FIG. 2*



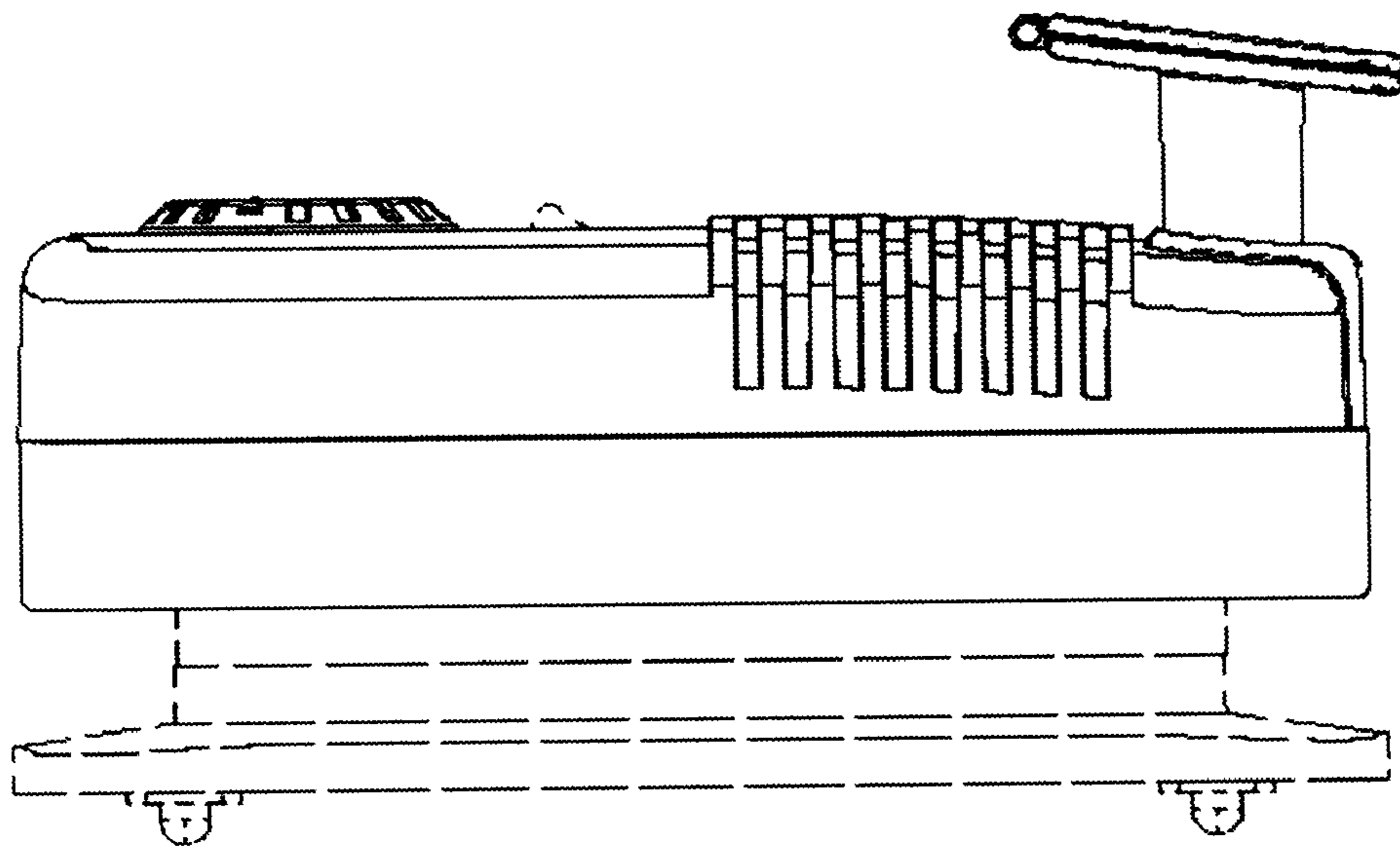
*FIG. 3*



*FIG. 4*



*FIG. 5*



*FIG. 6*