



US00D514126S

(12) **United States Design Patent** (10) **Patent No.:** **US D514,126 S**  
**Tansley et al.** (45) **Date of Patent:** **\*\* Jan. 31, 2006**

(54) **IMPELLER**

(75) Inventors: **Geoffrey D. Tansley**, Mt. Colah (AU);  
**Mark A. Von Huben**, Waverton (AU)

(73) Assignee: **Ventracor Limited** (AU)

(\*\*) Term: **14 Years**

(21) Appl. No.: **29/212,966**

(22) Filed: **Sep. 10, 2004**

(30) **Foreign Application Priority Data**

Mar. 10, 2004 (AU) ..... 939/2004

(51) **LOC (8) Cl.** ..... **15-02**

(52) **U.S. Cl.** ..... **D15/7**

(58) **Field of Classification Search** ..... D15/7;  
415/104, 107; 416/186 A, 183, 193 R, 203

See application file for complete search history.

(56) **References Cited**

**U.S. PATENT DOCUMENTS**

D268,112 S	*	3/1983	Sugiura	.....	D15/7
4,904,158 A	*	2/1990	Kun	.....	416/183
5,639,217 A	*	6/1997	Ohtsuki et al.	.....	416/183
6,227,797 B1		5/2001	Watterson et al.		
D443,281 S	*	6/2001	Sodergard	.....	D15/7
6,250,880 B1		6/2001	Woodard et al.		
6,609,883 B2		8/2003	Woodard et al.		
6,638,011 B2		10/2003	Woodard et al.		
D486,158 S	*	2/2004	Lei et al.	.....	D15/7

\* cited by examiner

*Primary Examiner*—Robin V. Taylor

(74) *Attorney, Agent, or Firm*—Stetina Brunda Garred & Brucker

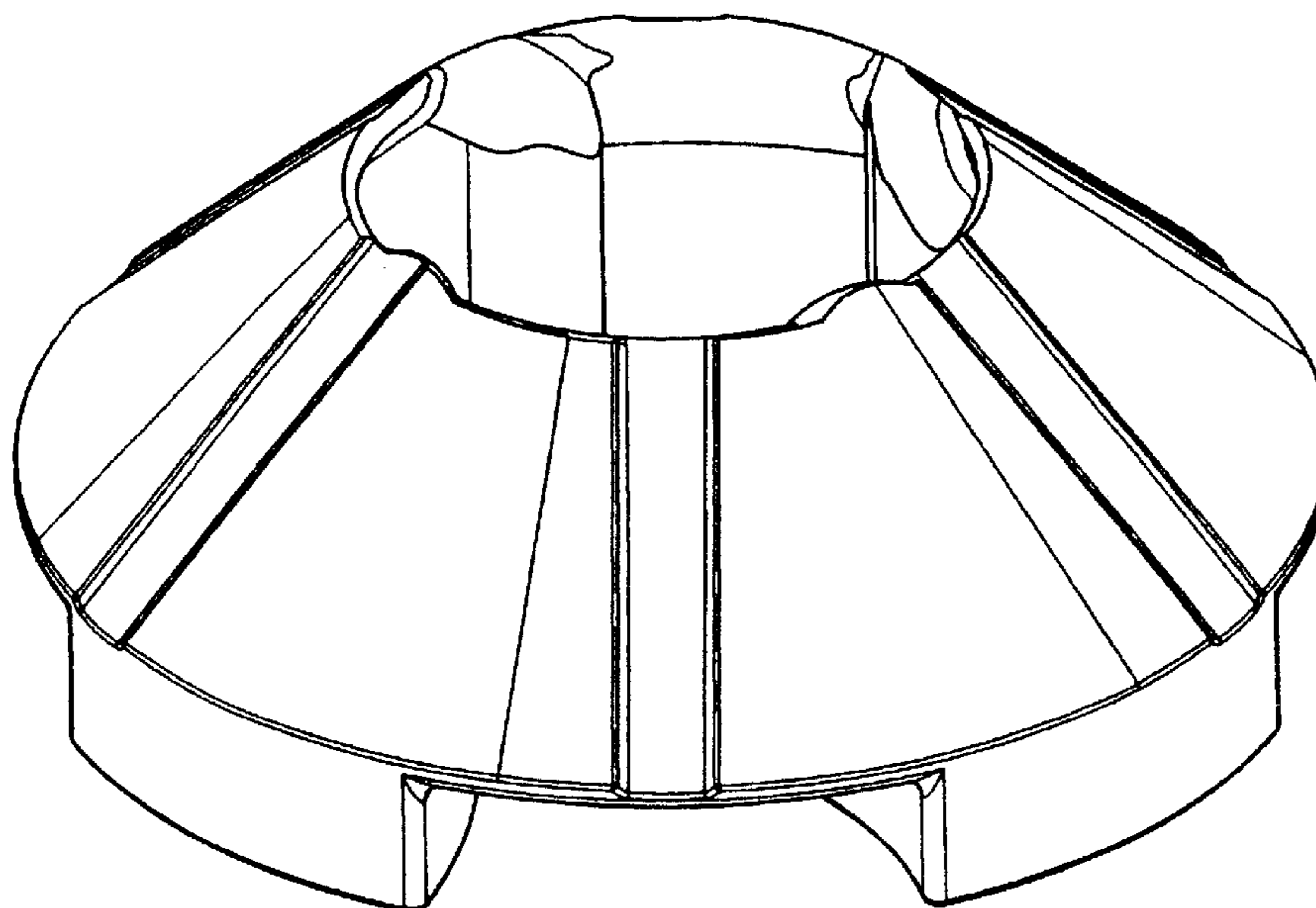
(57) **CLAIM**

The ornamental design for an impeller, as shown and described.

**DESCRIPTION**

FIG. 1 is a perspective view of the impeller of this invention; FIG. 2 is a top plan view of the impeller of FIG. 1; FIG. 3, is a front view of the impeller of FIG. 1, with the back view being the same; FIG. 4 is a left side view of the impeller of FIG. 1; FIG. 5 is a right side view of the impeller of FIG. 1; FIG. 6 is a sectional view of the impeller of FIG. 1 taken along section 6—6 of FIG. 2; FIG. 7 is a sectional view of the impeller of FIG. 1 taken along section 7—7 of FIG. 2; FIG. 8 is a sectional view of the impeller of FIG. 1 taken along section 8—8 of FIG. 2; FIG. 9 is a sectional view of the impeller of FIG. 1 taken along section 9—9 of FIG. 2; FIG. 10 is a sectional view of the impeller of FIG. 1 taken along section 10—10 of FIG. 2; FIG. 11 is a sectional view of the impeller of FIG. 1 taken along section 11—11 of FIG. 2; FIG. 12 is a sectional view of the impeller of FIG. 1 taken along section 12—12 of FIG. 2; FIG. 13 is a sectional view of the impeller of FIG. 1 taken along section 13—13 of FIG. 2; FIG. 14 is a sectional view of the impeller of FIG. 1 taken along section 14—14 of FIG. 2; FIG. 15 is a perspective view of a cross-section of the impeller of this invention taken along section 10—10 of FIG. 2; and, FIG. 16 is a bottom plan view of the impeller of FIG. 1. The cross-sectional views in FIGS. 6—15 are taken at ten degree intervals, with the impeller being symmetric.

**1 Claim, 10 Drawing Sheets**



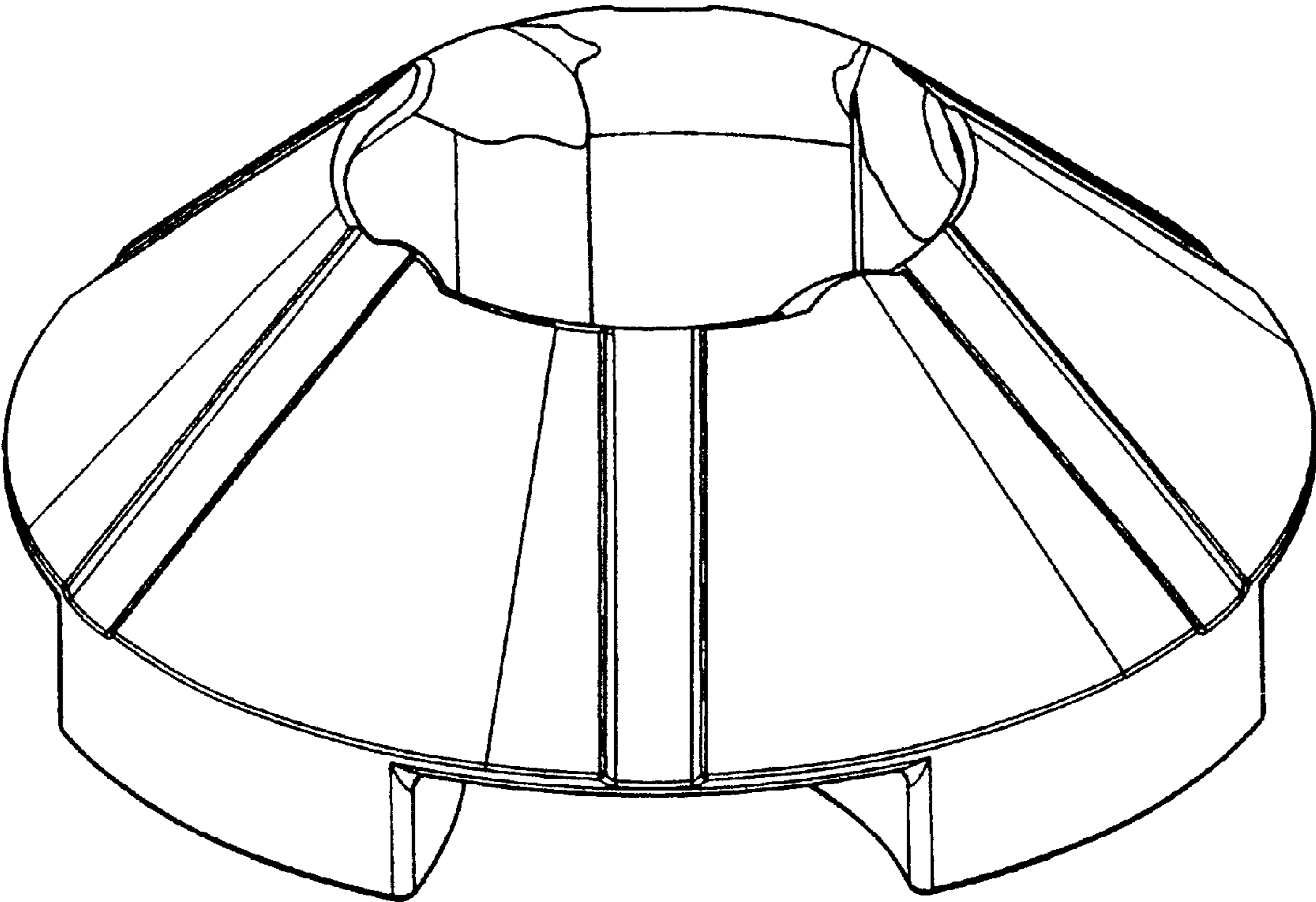
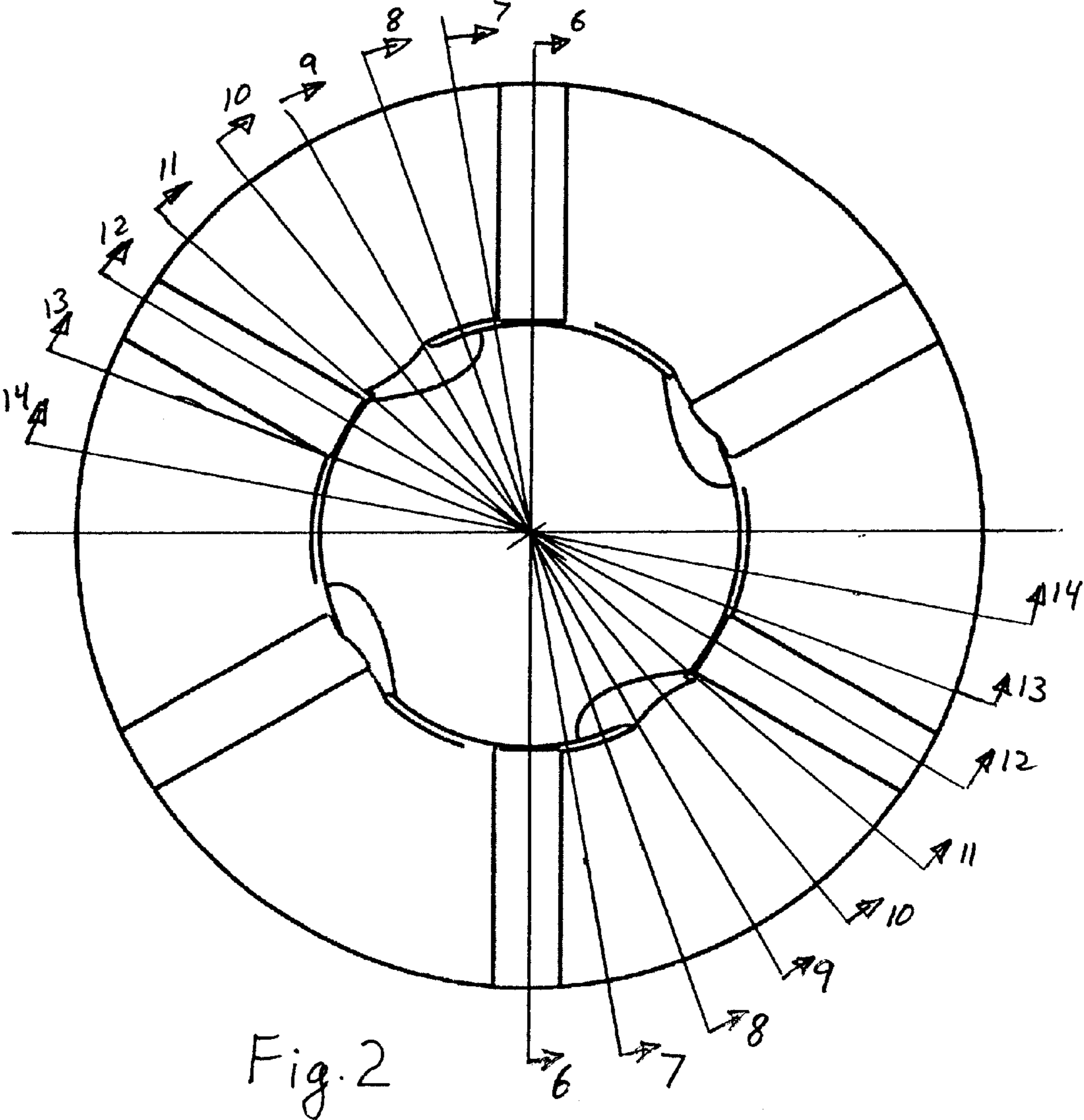


Fig. 1



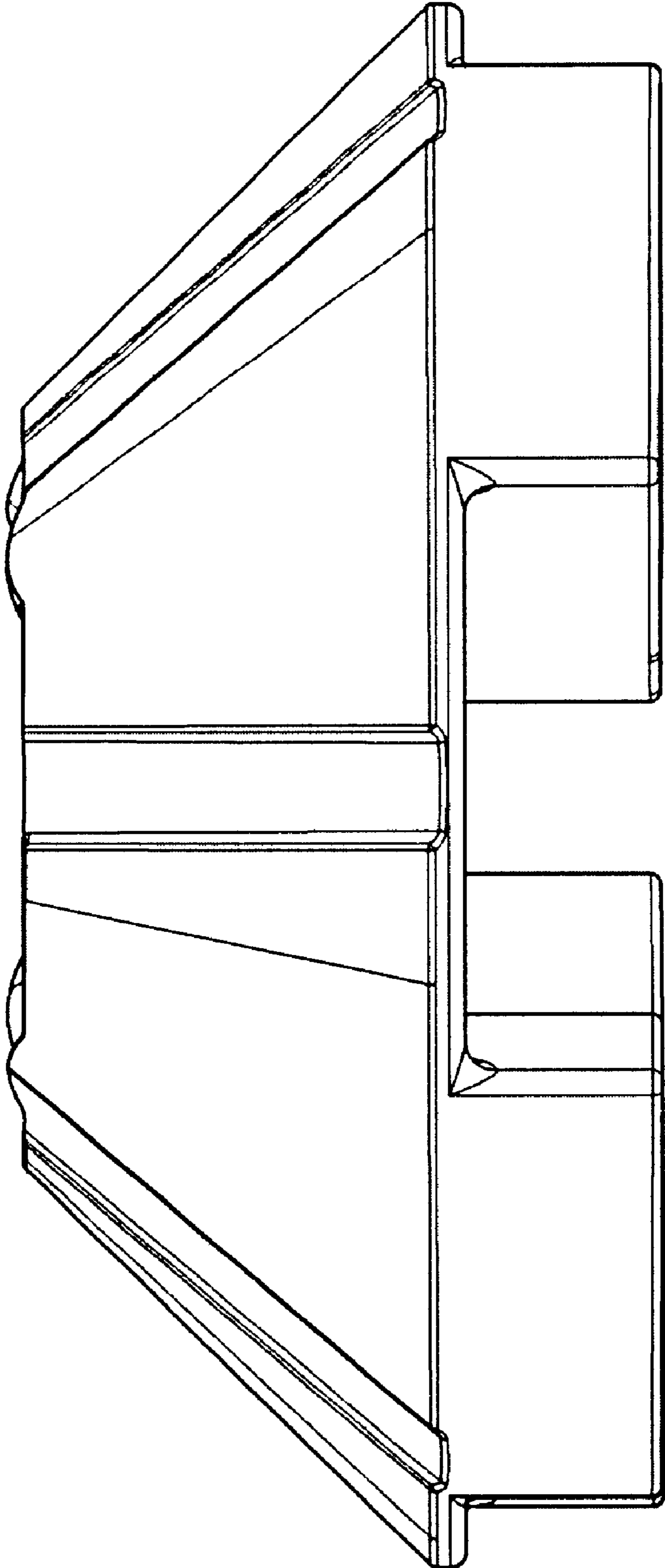
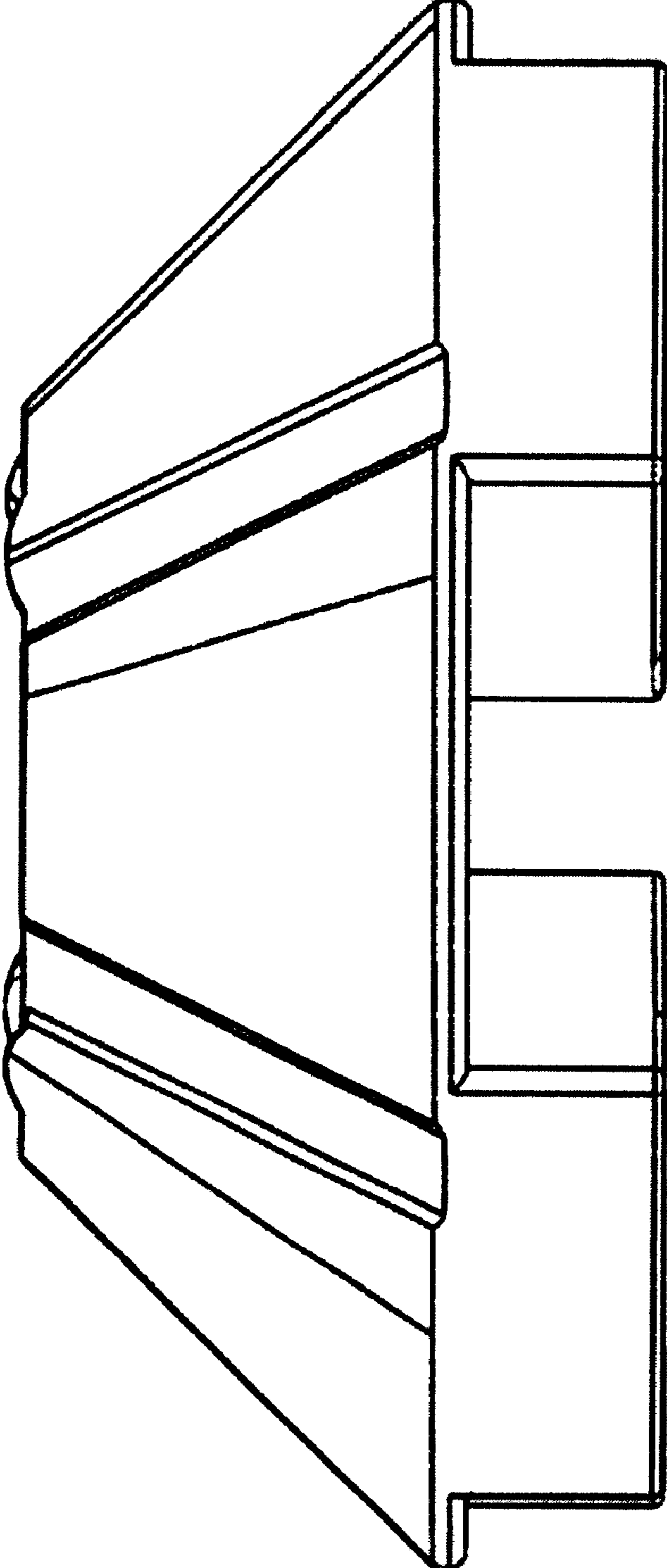


Fig. 3



*Fig. 4*

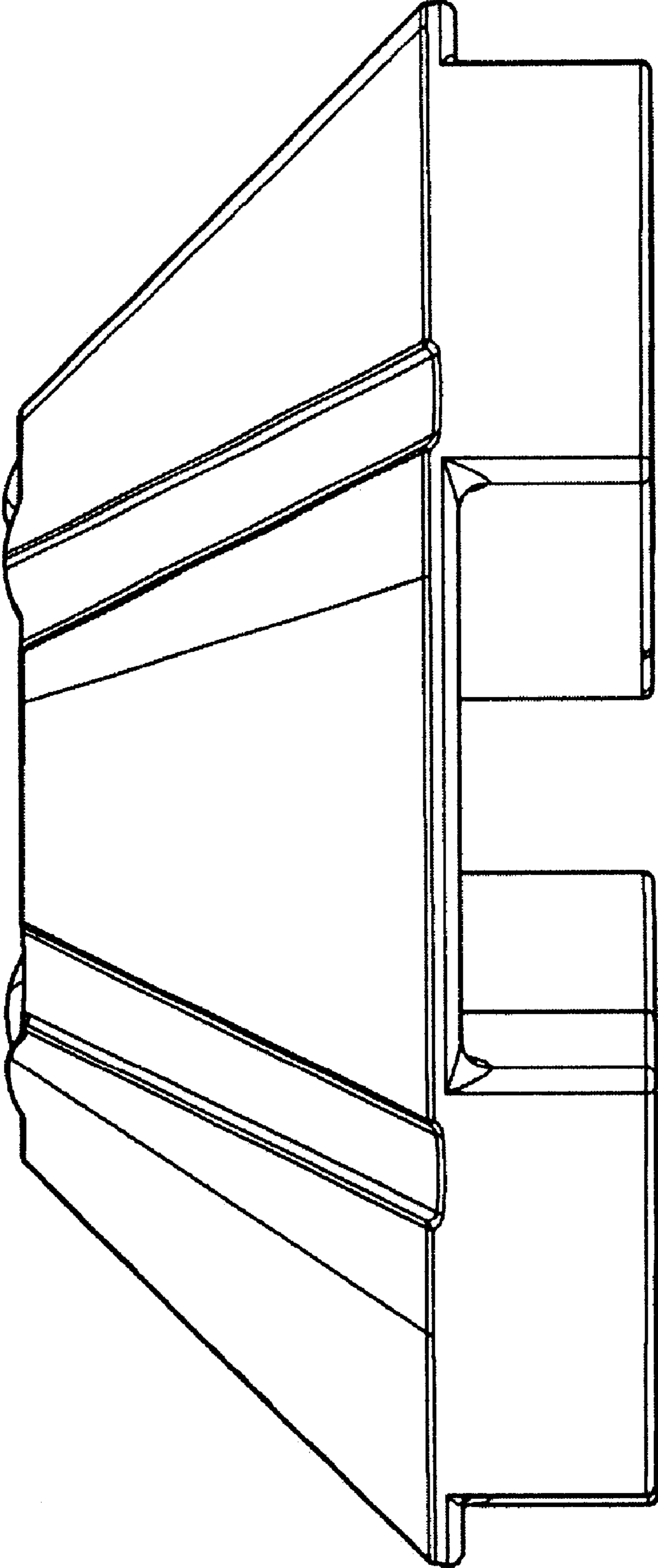


Fig. 5

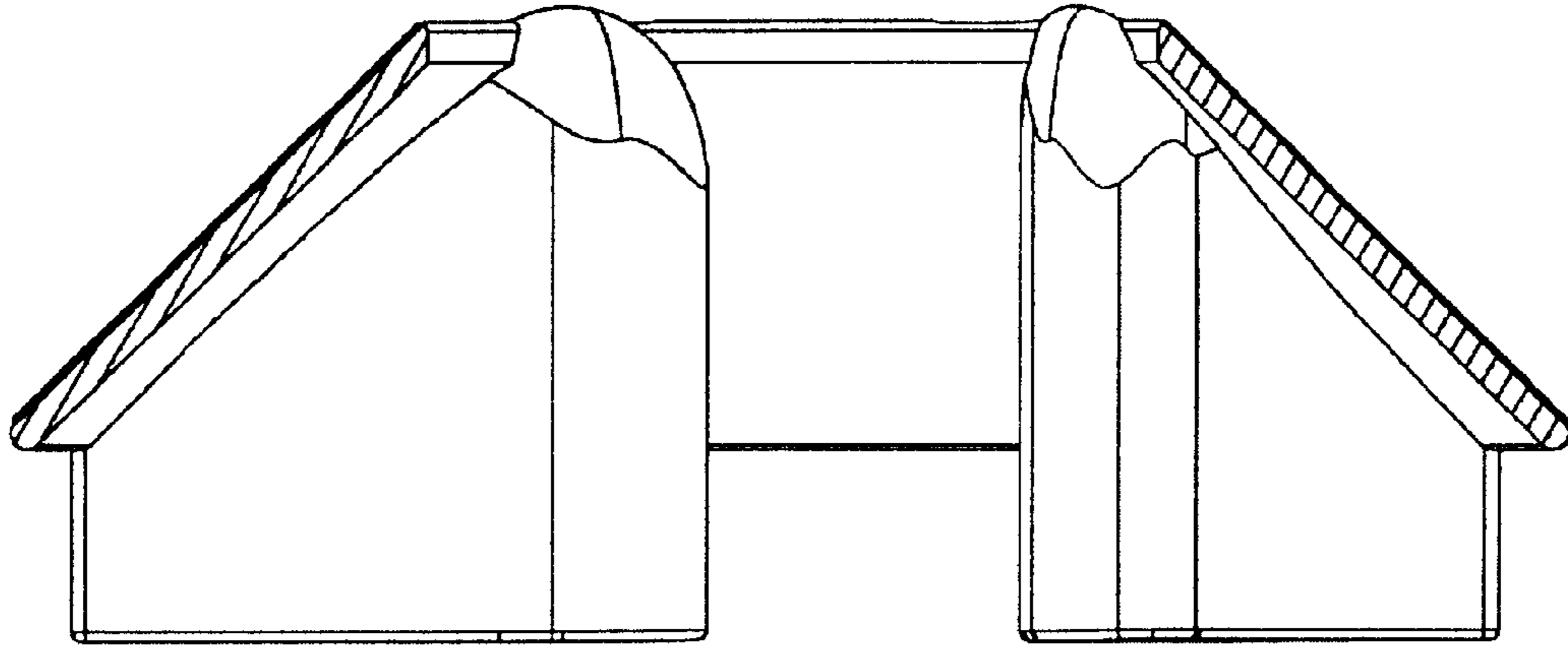


Fig. 6

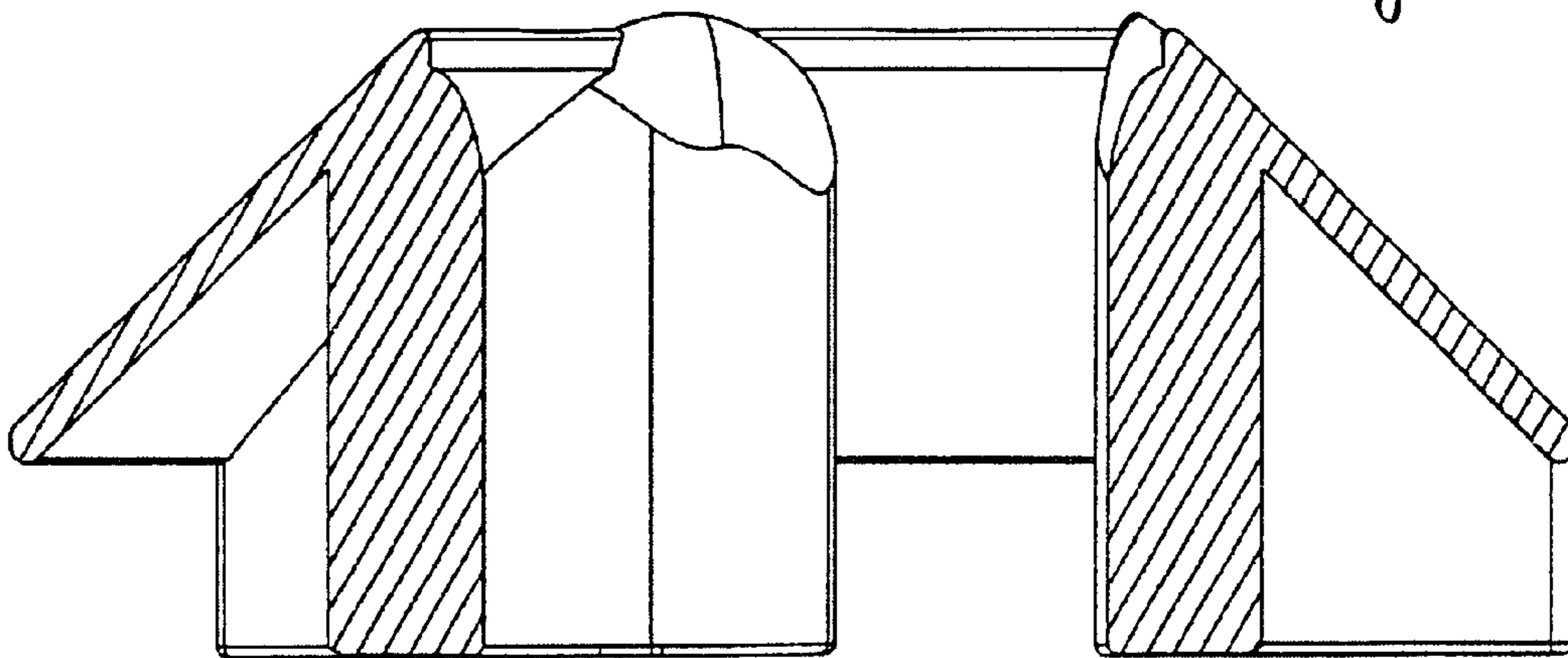


Fig. 7

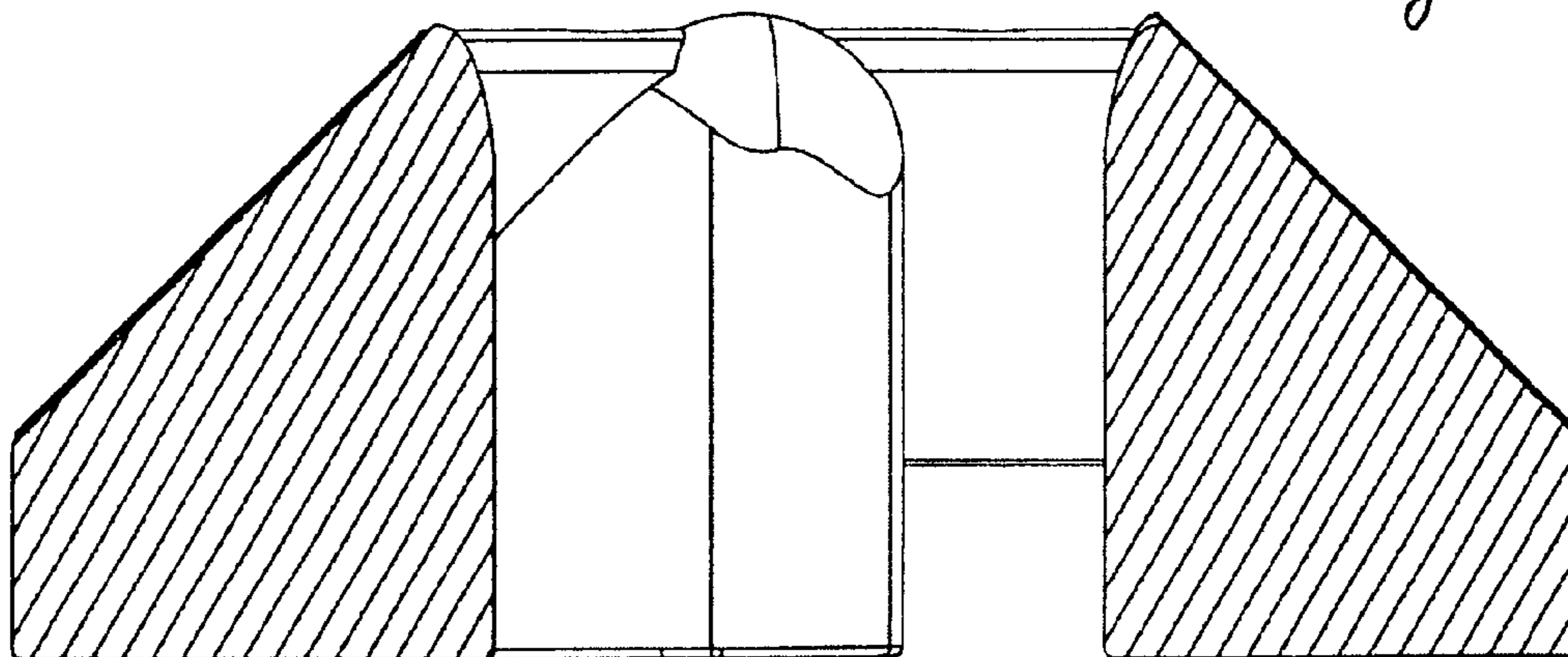


Fig. 8

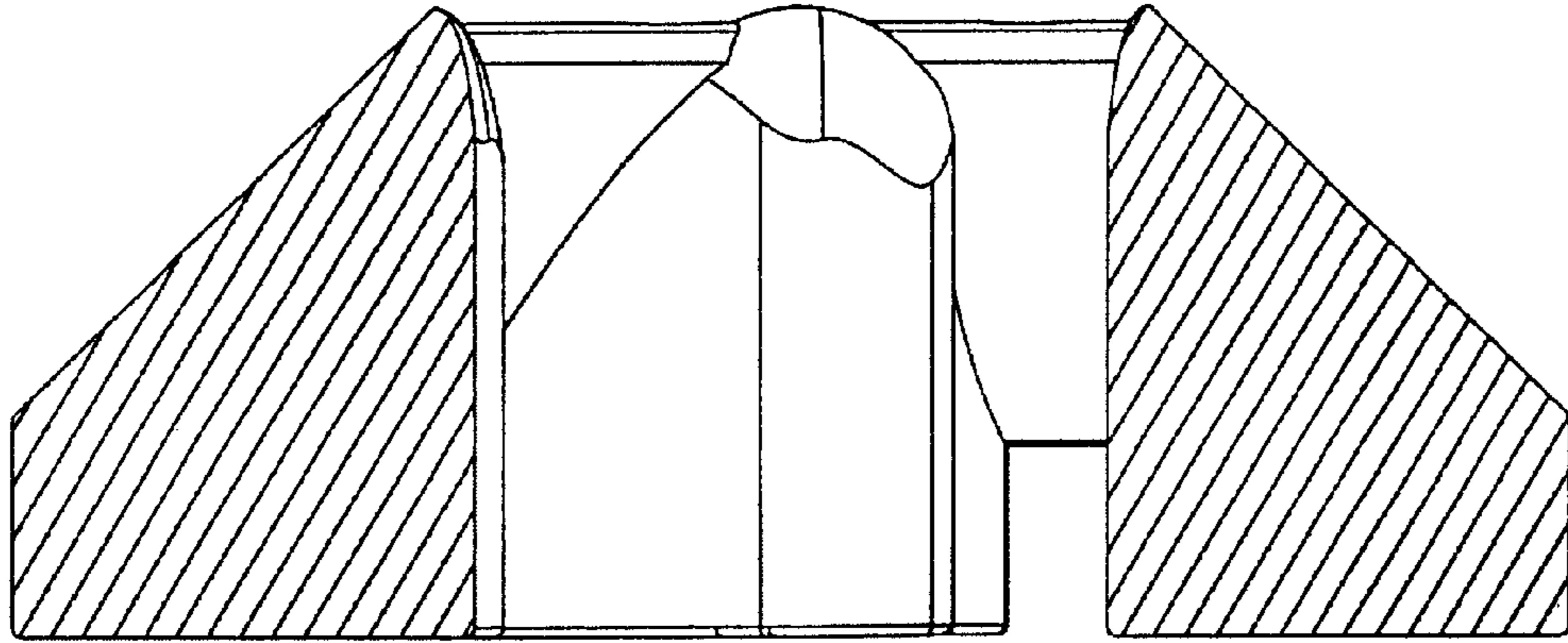


Fig. 9

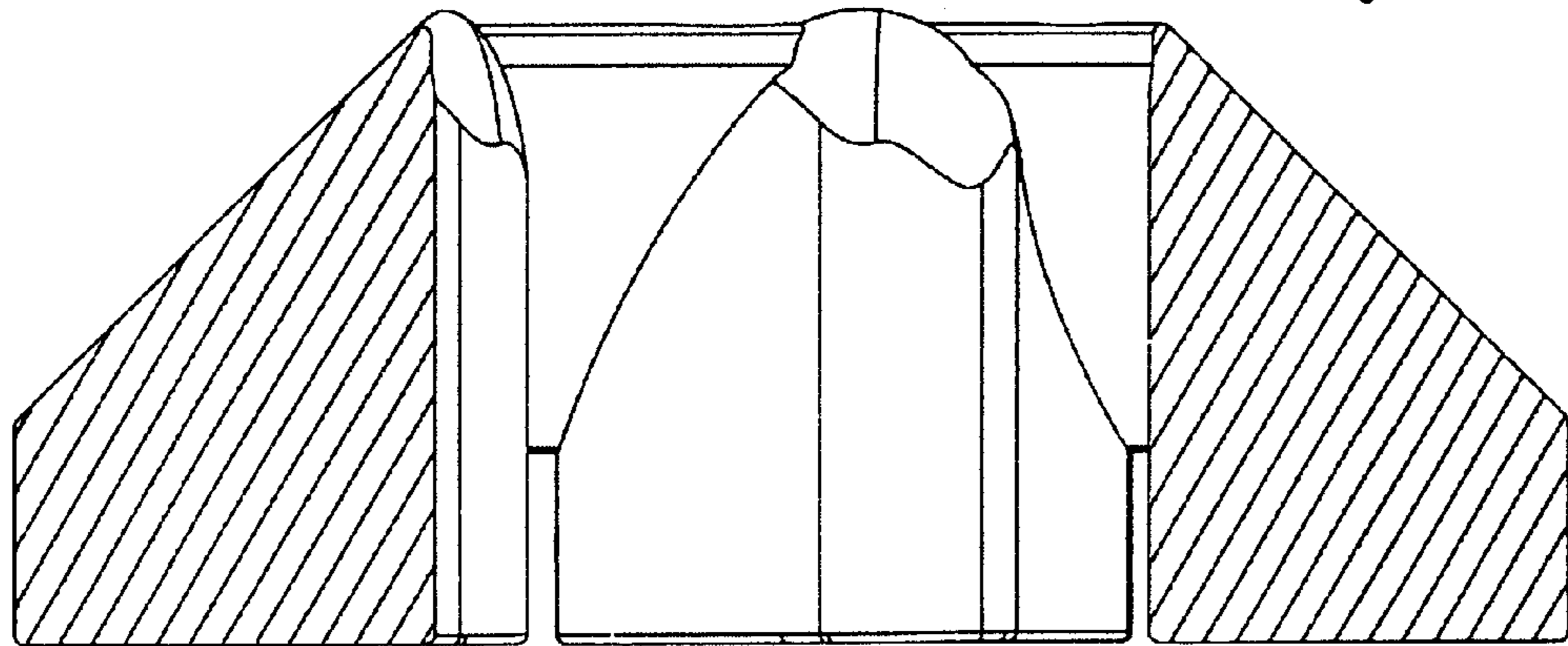


Fig. 10

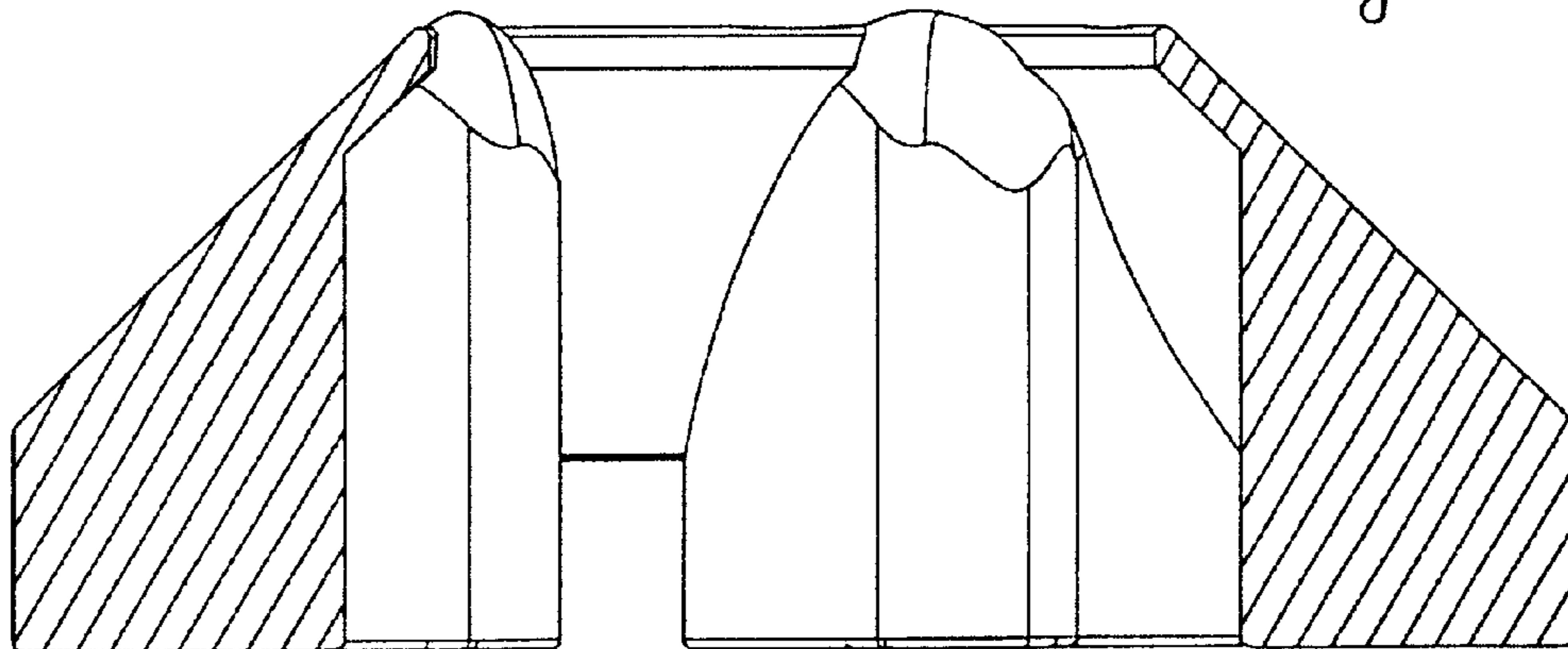


Fig. 11



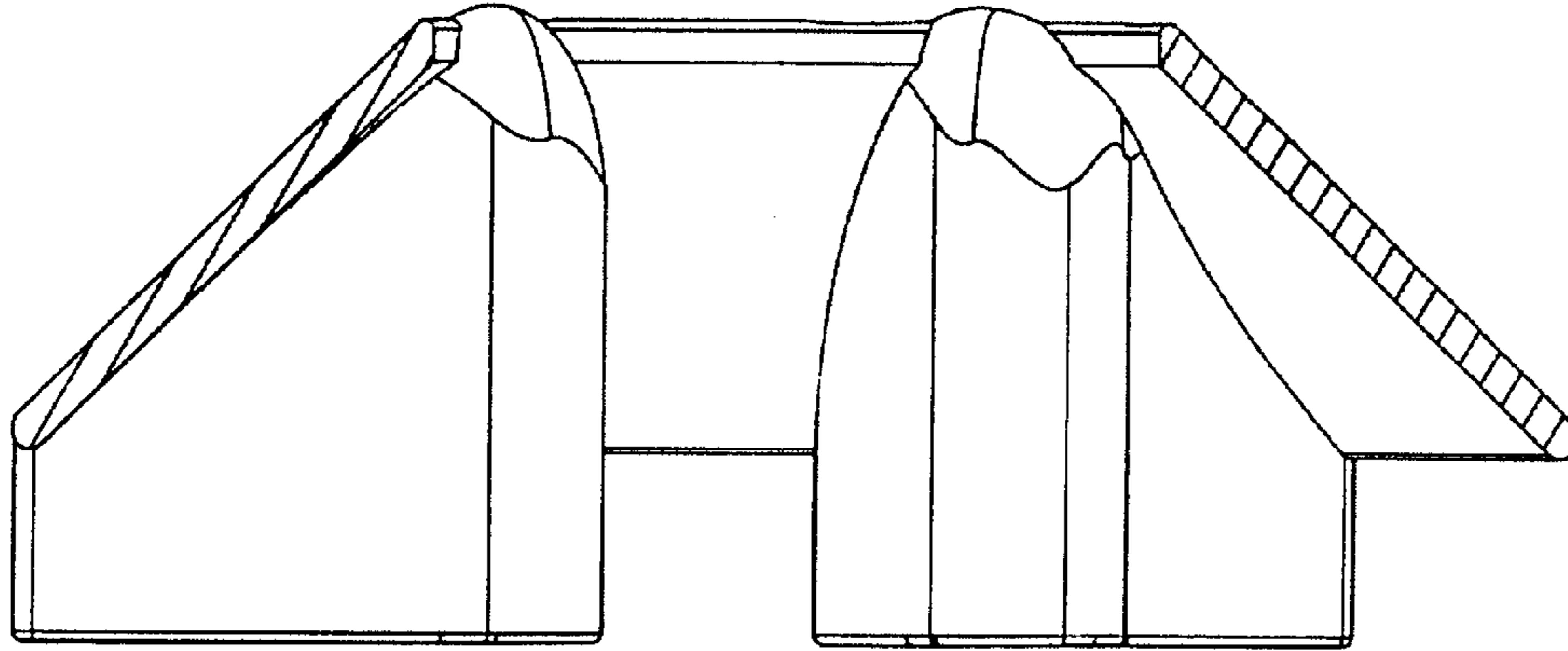


Fig. 12

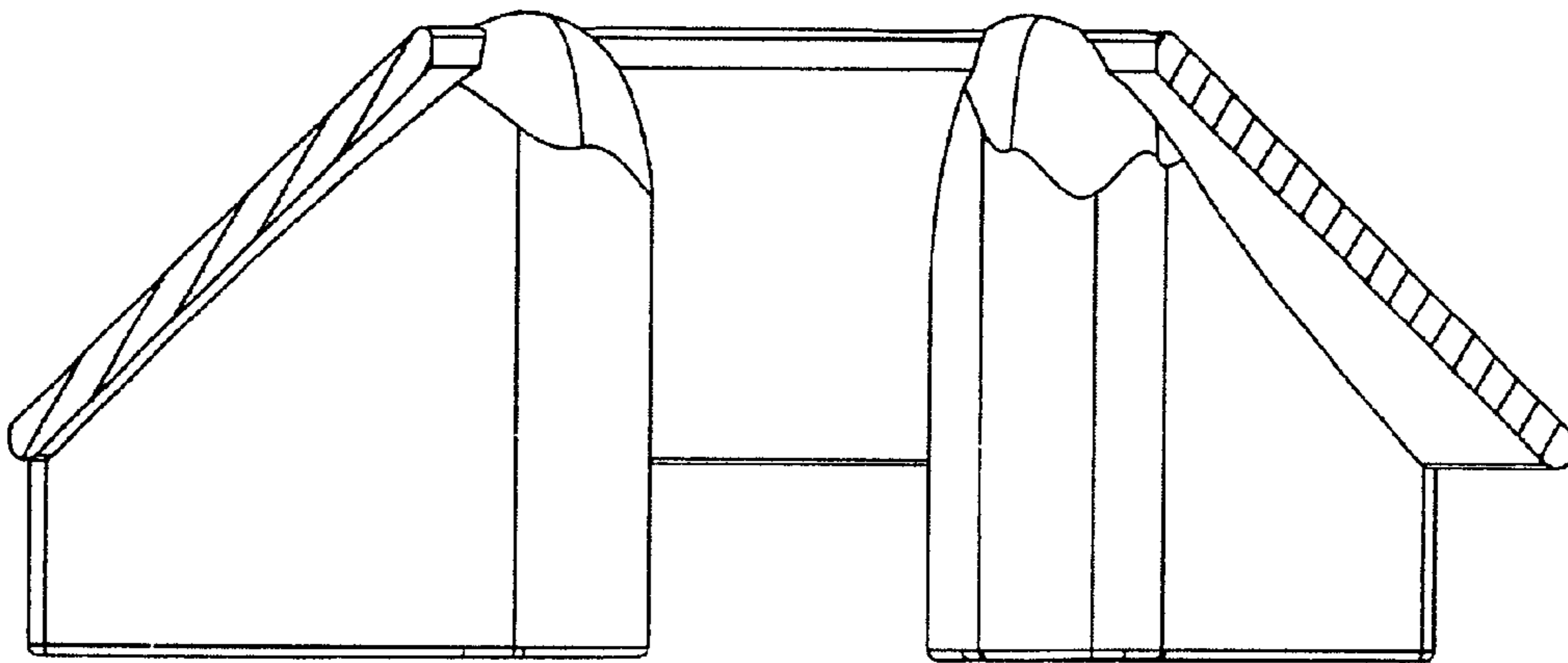


Fig. 13

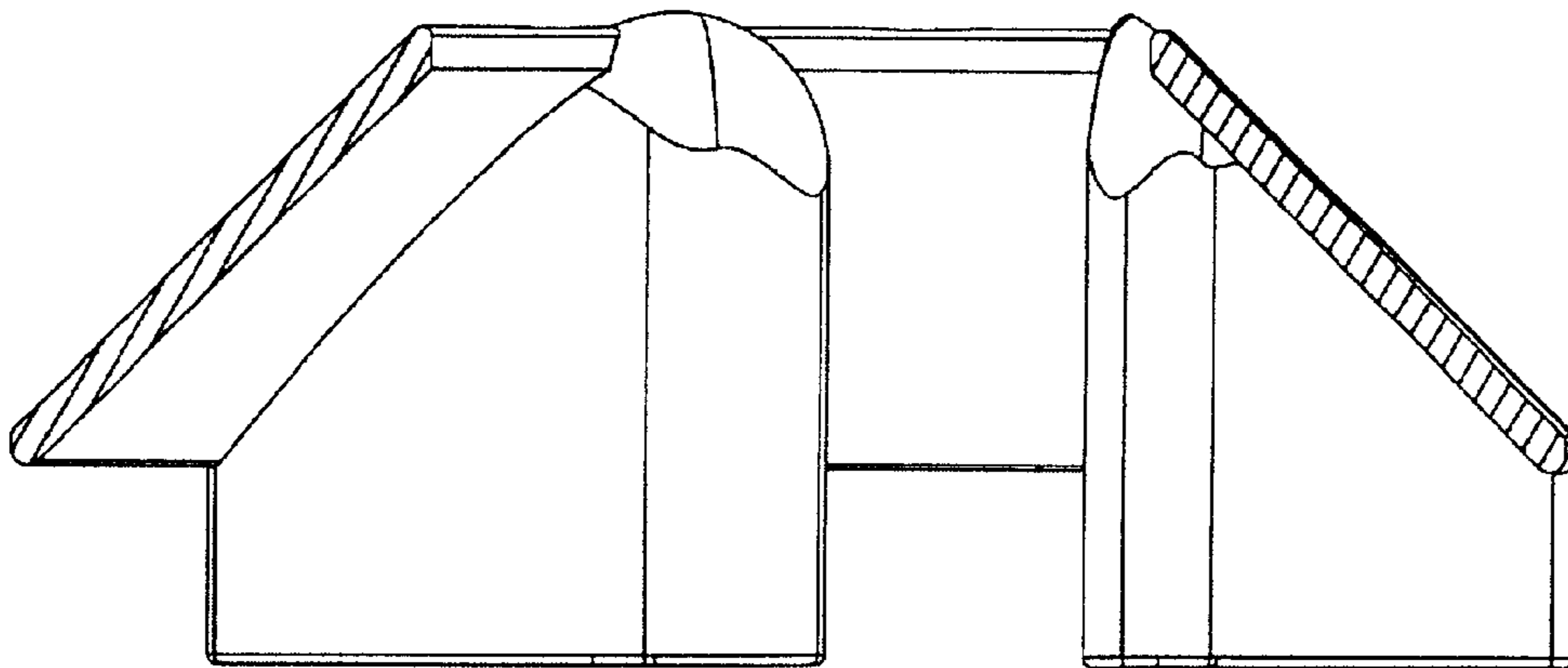
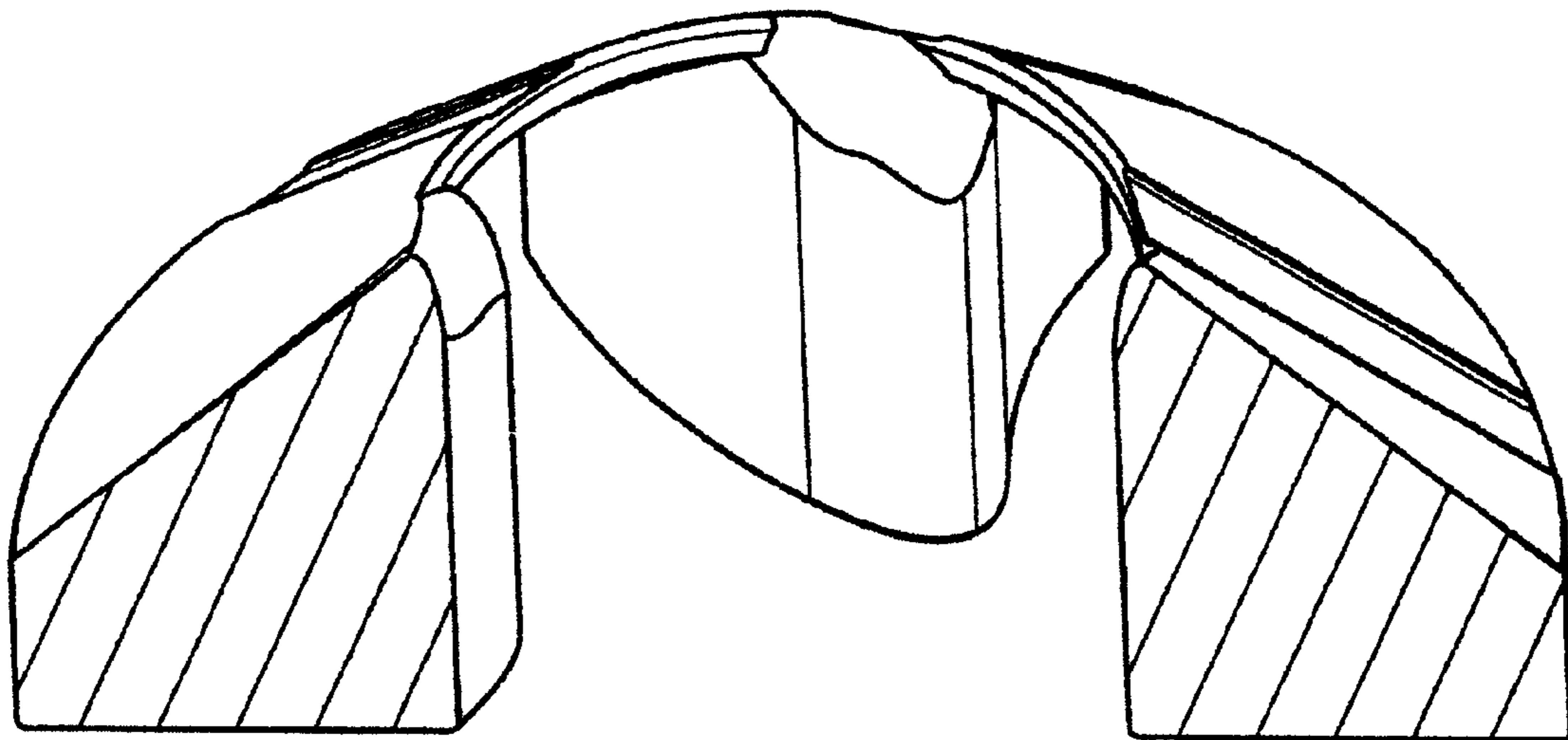
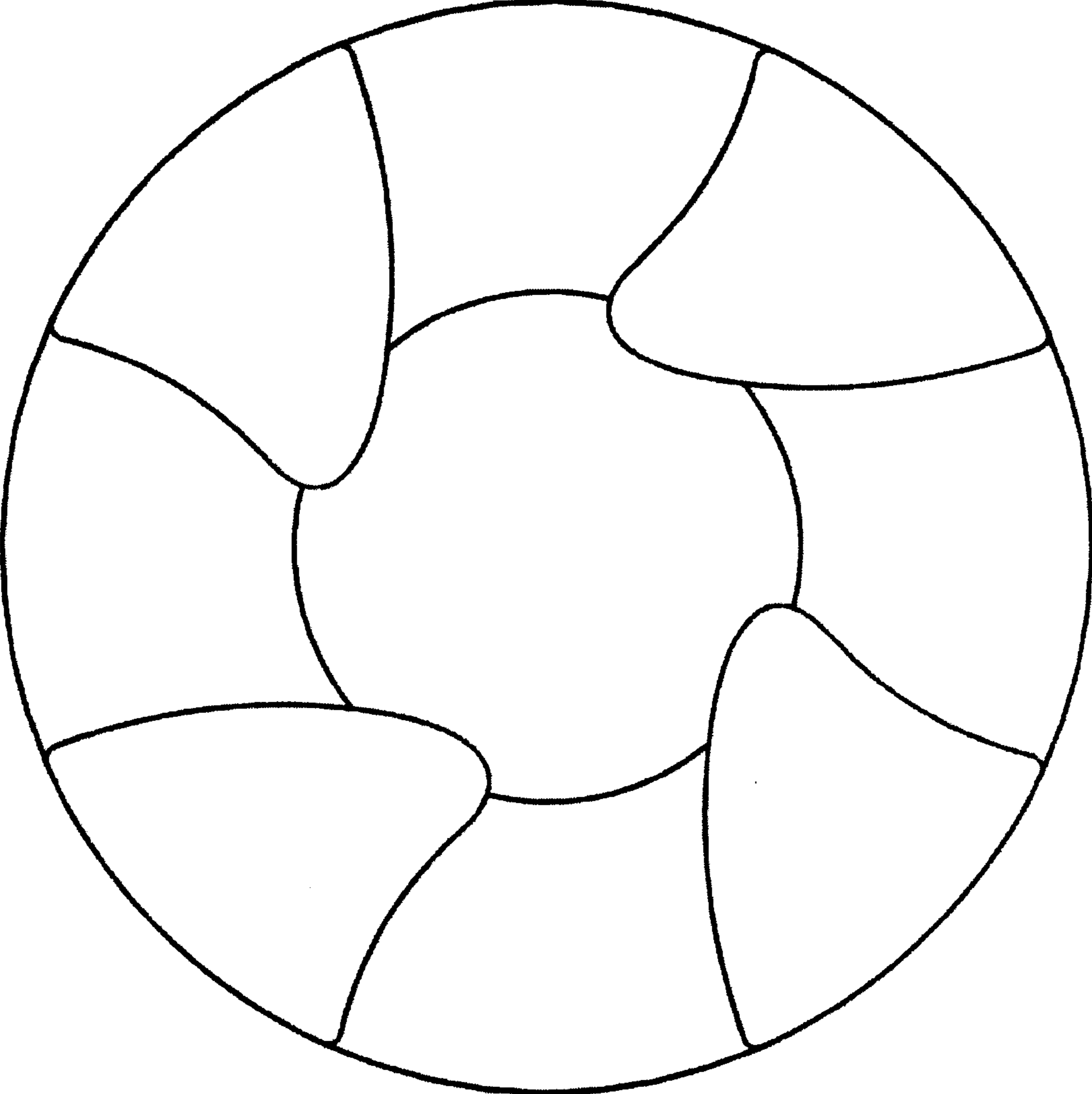


Fig. 14



*Fig. 15*



*Fig. 16*