



US00D514120S

(12) **United States Design Patent**
Chan

(10) **Patent No.:** **US D514,120 S**
(45) **Date of Patent:** **** Jan. 31, 2006**

(54) **MEDIA PLAYER**

(75) **Inventor:** **Raymond Chan, Hong Kong (HK)**

(73) **Assignee:** **IDT Data System Limited, Kowloon (HK)**

(**) **Term:** **14 Years**

(21) **Appl. No.:** **29/210,648**

(22) **Filed:** **Aug. 4, 2004**

(30) **Foreign Application Priority Data**

Jul. 5, 2002 (HK) 0411452.4M002

(51) **LOC (8) Cl.** **14-03**

(52) **U.S. Cl.** **D14/496**

(58) **Field of Classification Search** D14/496,
D14/400, 401, 435, 474, 453, 217, 160, 168,
D14/188; D21/332, 333; 273/148 B; 463/43-47;
369/2, 24, 25, 75.1, 75.2, 77.1, 77.2; 370/342-344;
455/344, 347

See application file for complete search history.

(56) **References Cited**

U.S. PATENT DOCUMENTS

5,672,108 A * 9/1997 Lam et al. 463/39
5,825,408 A * 10/1998 Yuyama et al. 348/14.01

6,254,477 B1 * 7/2001 Sasaki et al. 463/1
D452,250 S * 12/2001 Chan D14/496
D468,365 S * 1/2003 Bransky et al. D21/329
6,529,714 B1 * 3/2003 Nakamura et al. 455/575.1
6,595,860 B1 * 7/2003 Yamamoto et al. 463/43
6,671,567 B1 * 12/2003 Dwyer et al. 700/94
D488,483 S * 4/2004 Hu D14/496
D492,698 S * 7/2004 Tsai D14/496
D499,424 S * 12/2004 Bahroocha D14/496
D503,409 S * 3/2005 Wong et al. D14/496

* cited by examiner

Primary Examiner—Prabhakar Deshmukh
(74) *Attorney, Agent, or Firm*—Alix, Yale & Ristas, LLP

(57) **CLAIM**

The ornamental design for a media player, as shown and described.

DESCRIPTION

FIG. 1 is a front elevational view of a media player showing my new design;
FIG. 2 is a top plan view thereof;
FIG. 3 is a left side elevational view thereof;
FIG. 4 is a rear elevational view thereof;
FIG. 5 is a bottom plan view thereof; and,
FIG. 6 is a right side elevational view thereof.

1 Claim, 2 Drawing Sheets

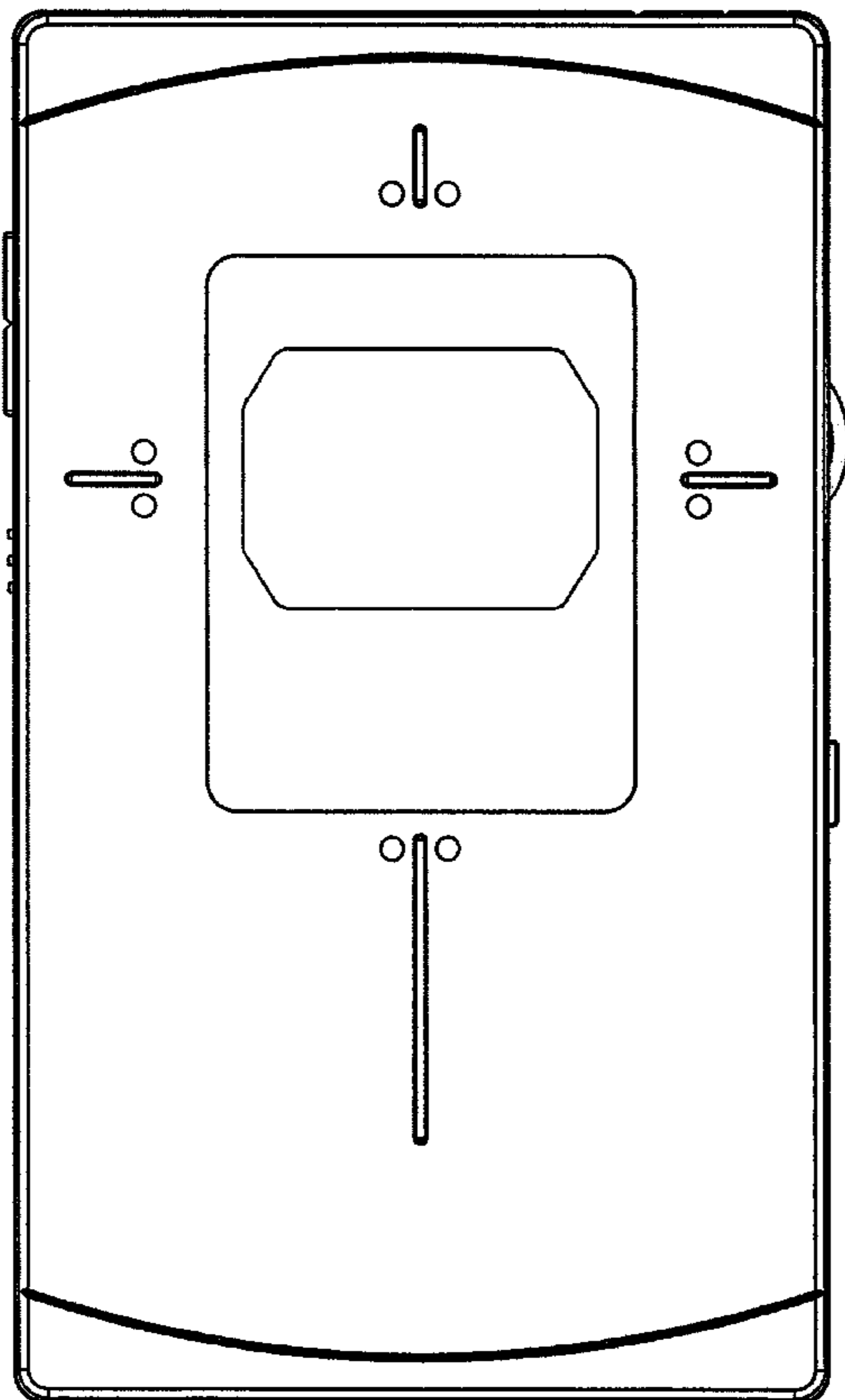




FIG. 2

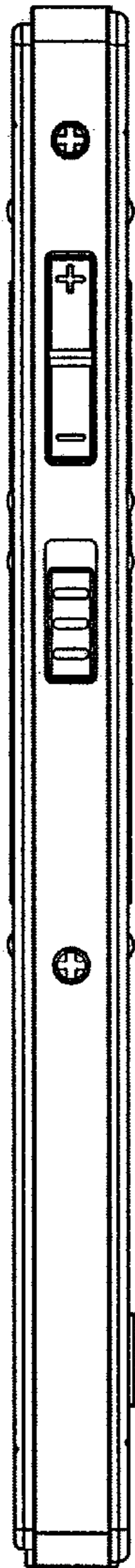


FIG. 3

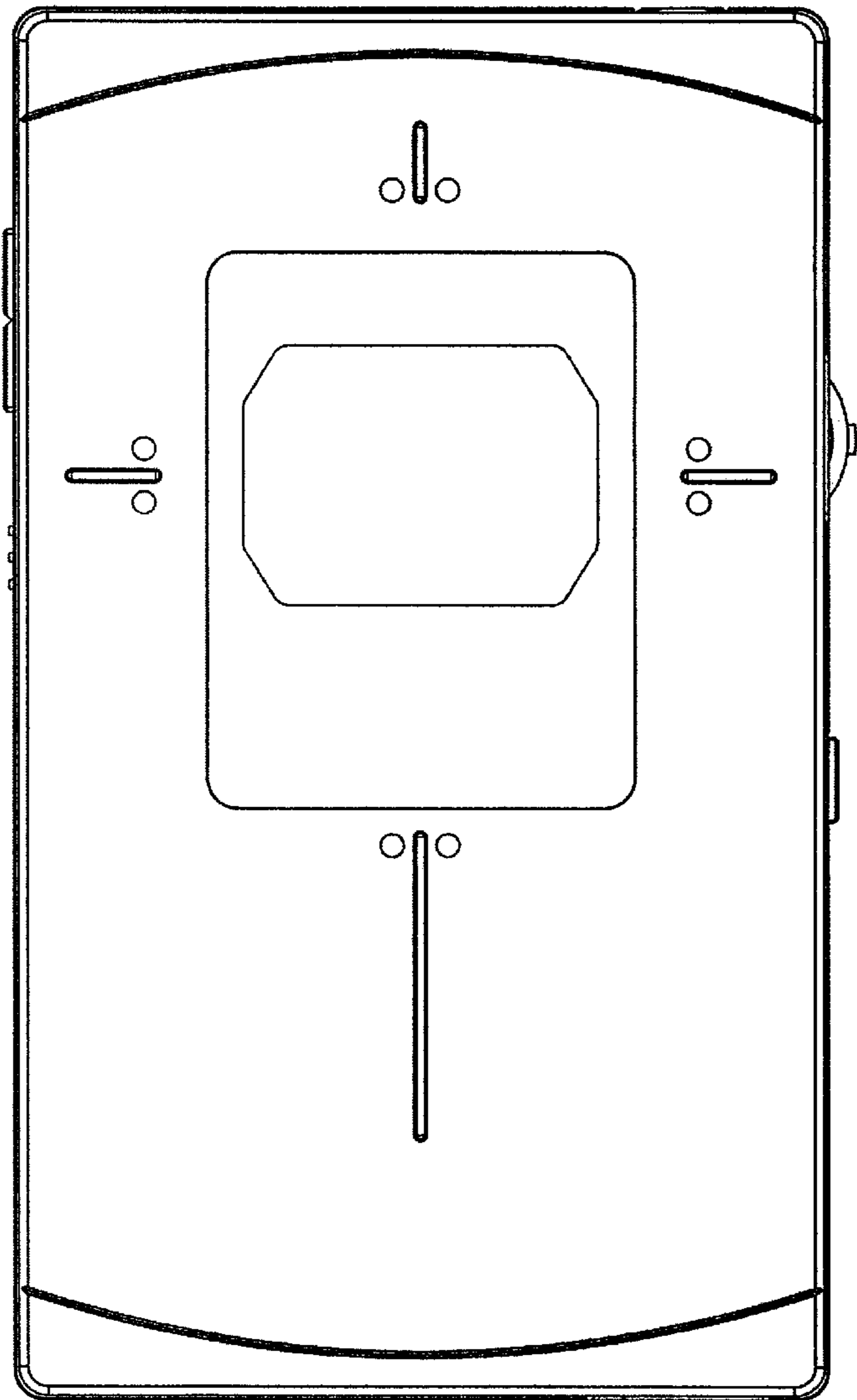


FIG. 1



FIG. 6

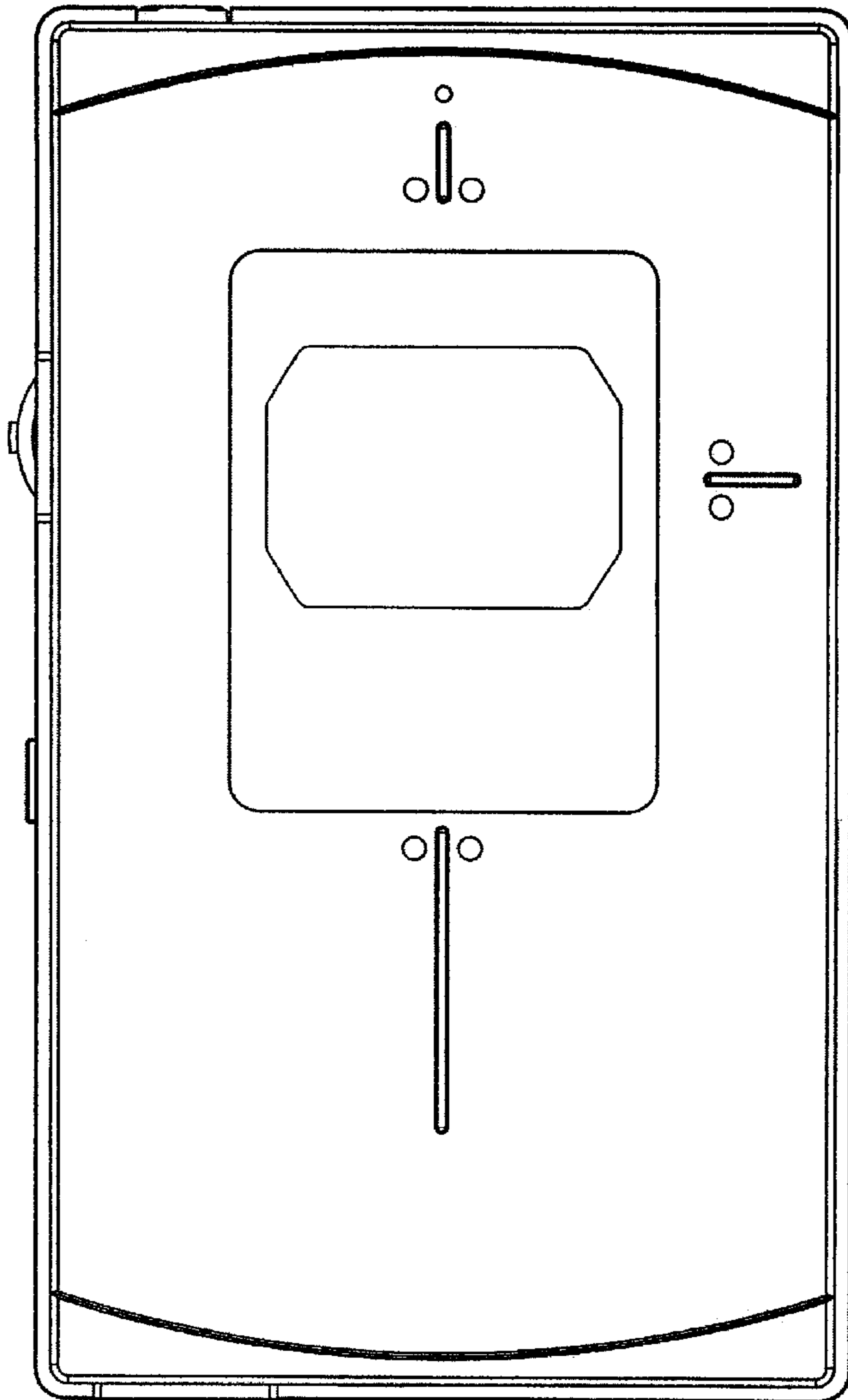


FIG. 4

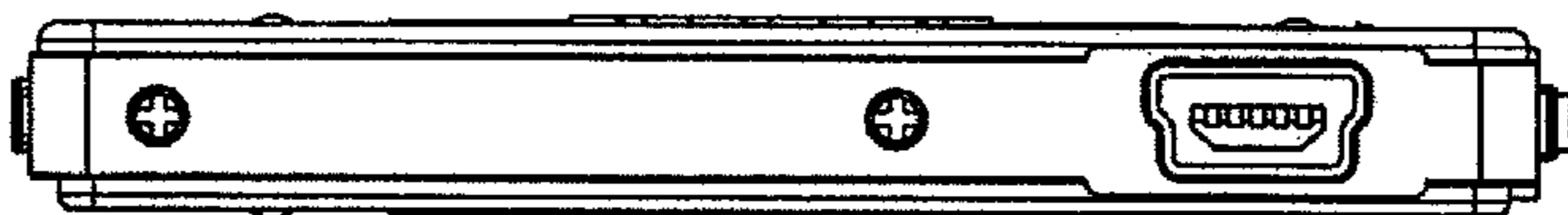


FIG. 5

UNITED STATES PATENT AND TRADEMARK OFFICE
CERTIFICATE OF CORRECTION

PATENT NO. : Des. 514,120 S
DATED : January 31, 2006
INVENTOR(S) : Chan

Page 1 of 1

It is certified that error appears in the above-identified patent and that said Letters Patent is hereby corrected as shown below:

Title page.

Item [30], **Foreign Application Priority Data**, delete "Jul. 5, 2002" and replace with -- Jul. 5, 2004 --.

Signed and Sealed this

Eighteenth Day of April, 2006

A handwritten signature in black ink on a light gray dotted background. The signature reads "Jon W. Dudas" in a cursive style.

JON W. DUDAS

Director of the United States Patent and Trademark Office