



US00D514114S

(12) **United States Design Patent**  
**Cochard**

(10) **Patent No.:** **US D514,114 S**  
(45) **Date of Patent:** **\*\* Jan. 31, 2006**

(54) **SCREEN SAVER**

(76) Inventor: **Olivier Cochard**, 6, rouge de Divonne,  
Commugny (CH), CH-1291

(\*\*) Term: **14 Years**

(21) Appl. No.: **29/199,292**

(22) Filed: **Feb. 13, 2004**

(51) **LOC (8) Cl.** ..... **14-02**

(52) **U.S. Cl.** ..... **D14/450**

(58) **Field of Classification Search** ..... D14/432,  
D14/439, 440, 448-450; 359/601-604, 609,  
359/704; D3/269; D6/575, 577

See application file for complete search history.

(56) **References Cited**

**U.S. PATENT DOCUMENTS**

D401,576 S	*	11/1998	Watkins	.....	D14/450
6,152,567 A	*	11/2000	LaForgia	.....	359/609
D440,096 S	*	4/2001	Railing	.....	D6/577

\* cited by examiner

*Primary Examiner*—Freda S. Nunn

(74) *Attorney, Agent, or Firm*—Moetteli & Associates;  
John Moetteli

(57) **CLAIM**

The ornamental design for a screen saver, as shown and described.

**DESCRIPTION**

FIG. 1 is a perspective view of a screen saver showing my new design.

FIG. 2 is a front view of a screen saver showing my new design.

FIG. 3 is a top view of a screen saver showing my new design.

FIG. 4 is a bottom view of a screen saver showing my new design.

FIG. 5 is a right side view of a screen saver showing my new design.

FIG. 6 is a perspective view of a screen saver showing my new design in an open position.

FIG. 7 is a front view of a screen saver showing my new design in an open position.

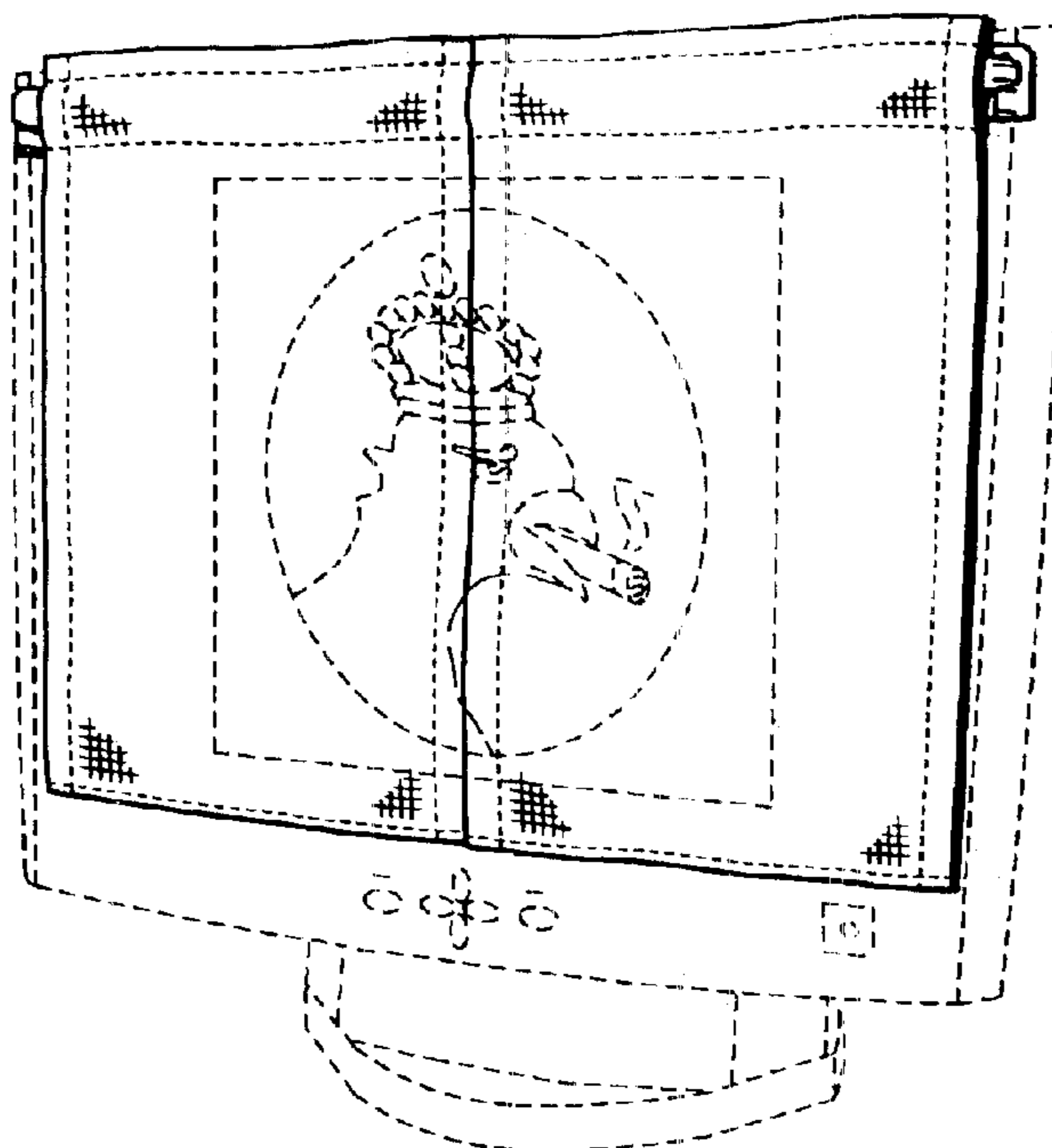
FIG. 8 is a top view of a screen saver of my design in an open position.

FIG. 9 is a bottom view of a screen saver of my design in an open position; and,

FIG. 10 is a right side view of a screen saver of my design in an open position.

The broken lines are shown in the views for illustrative purposes only and form no part of the claimed design.

**1 Claim, 4 Drawing Sheets**



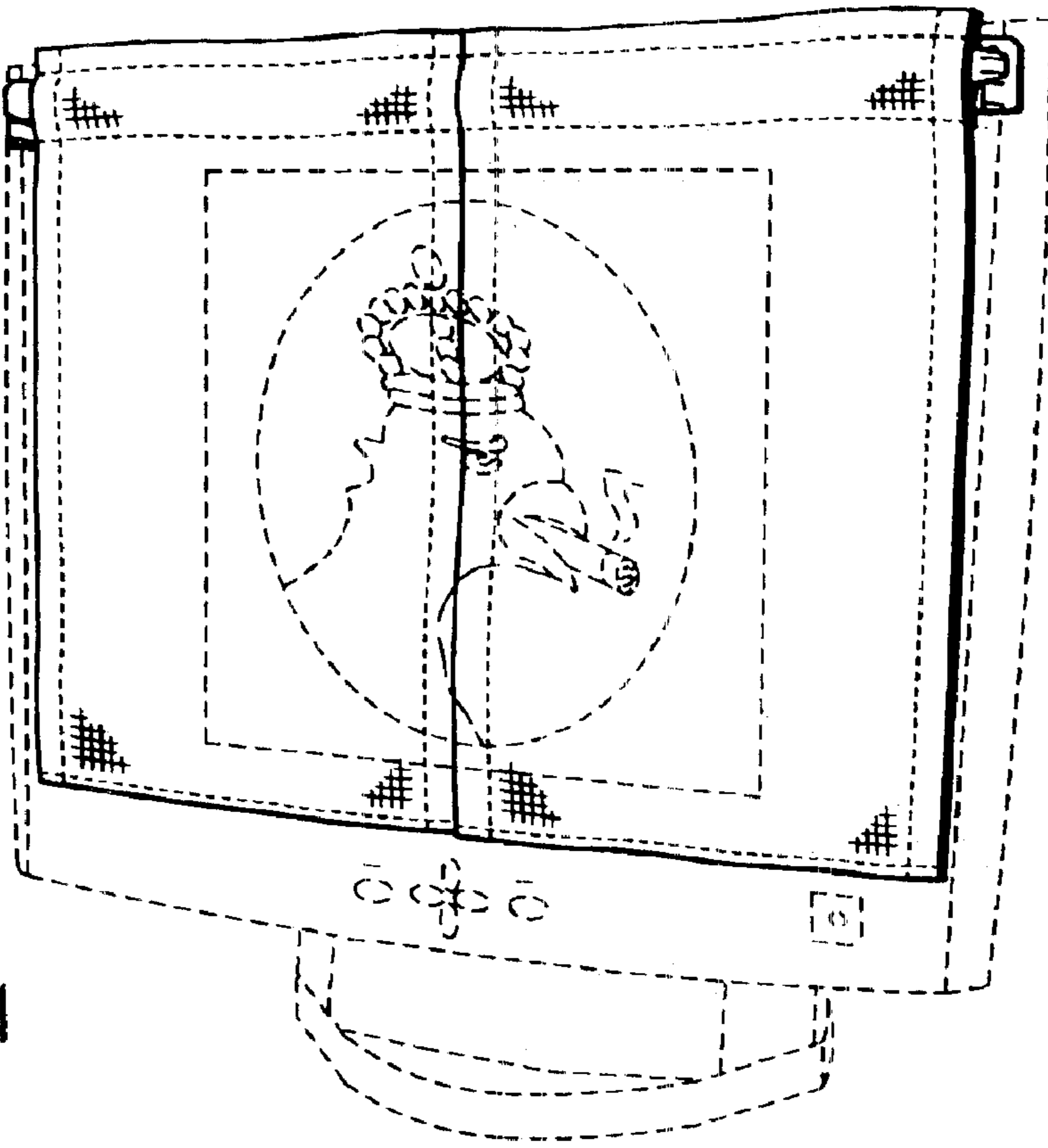


FIG. 1

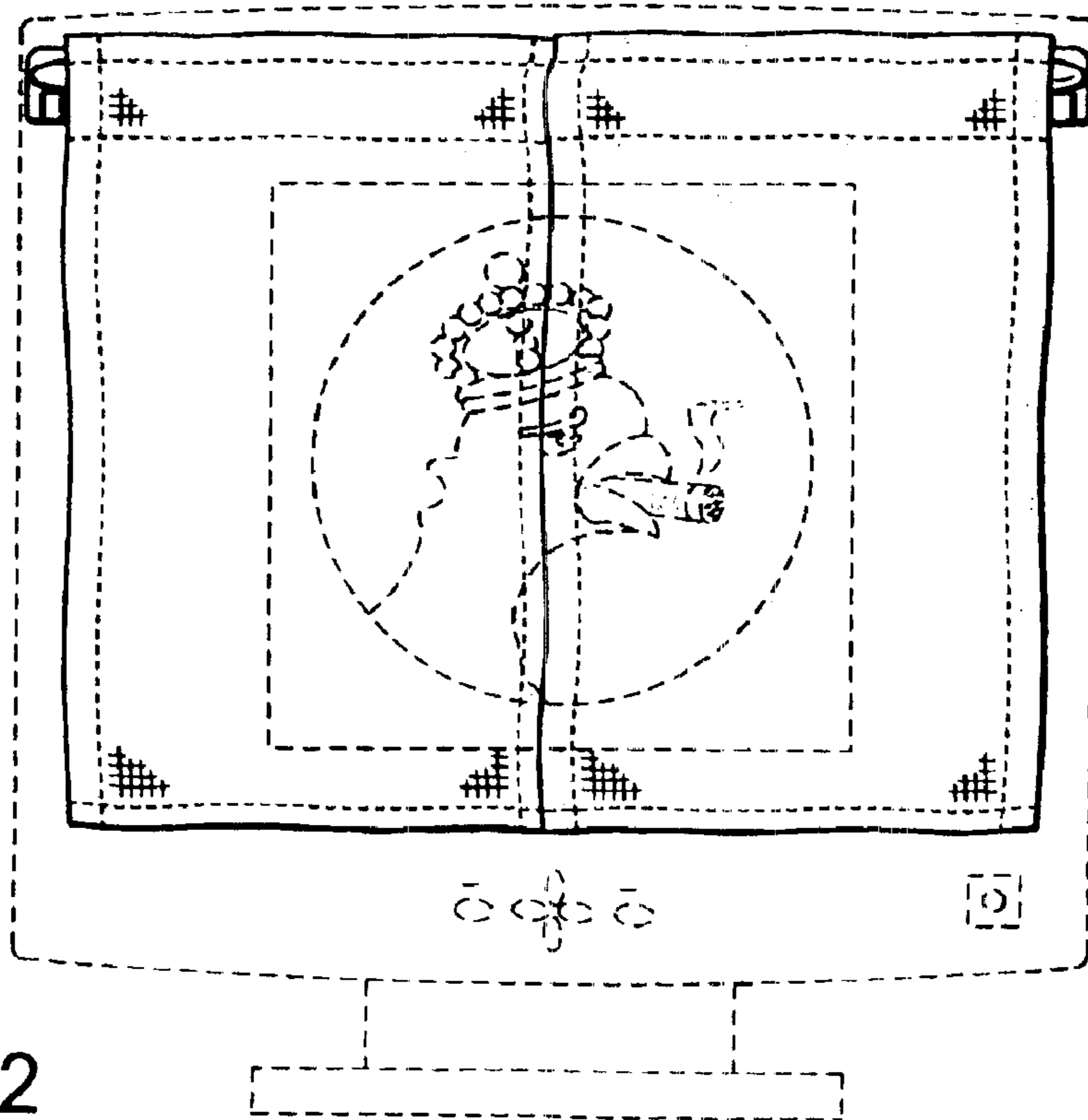


FIG. 2

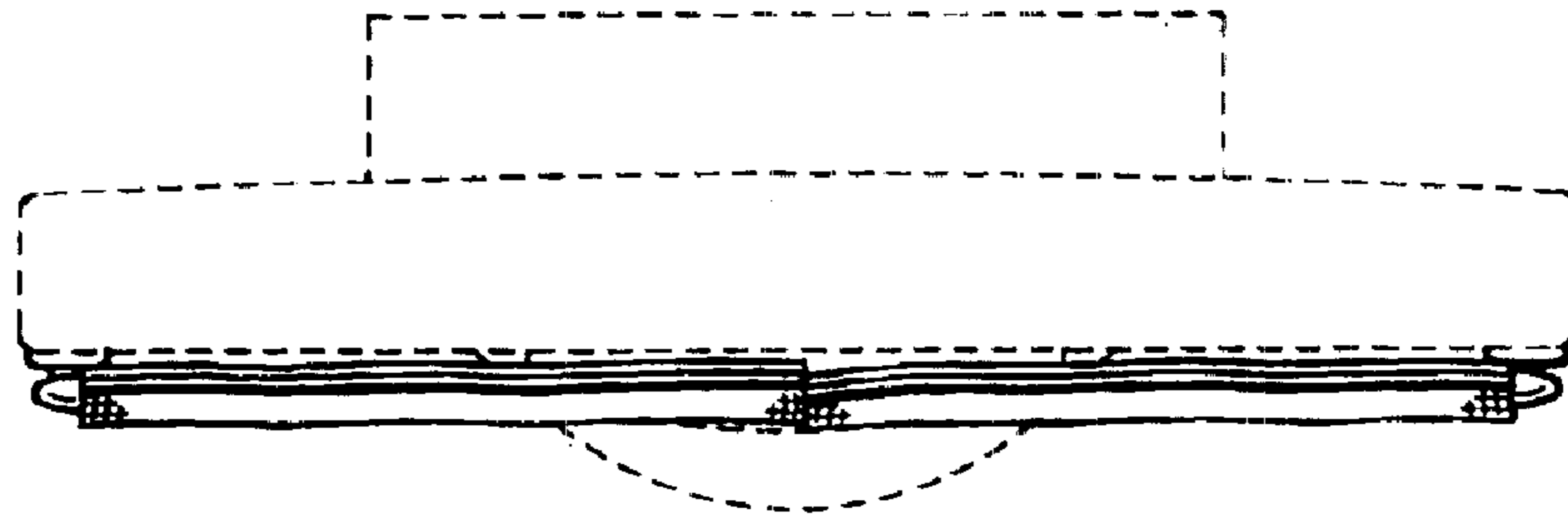


FIG. 3

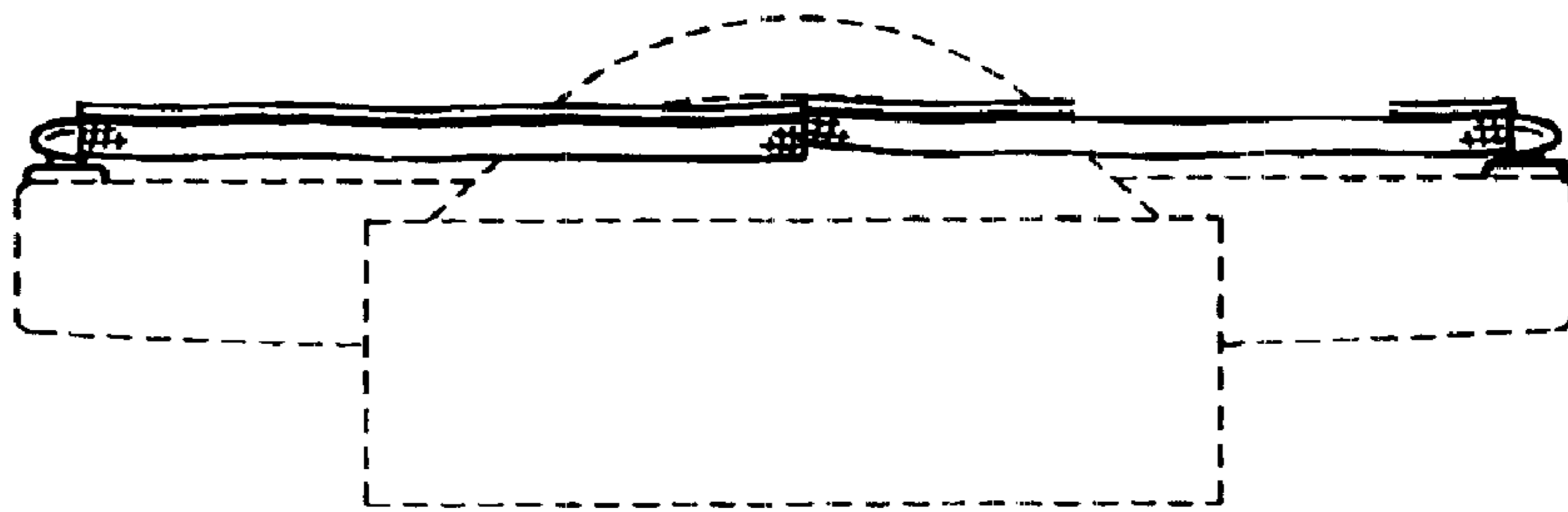


FIG. 4

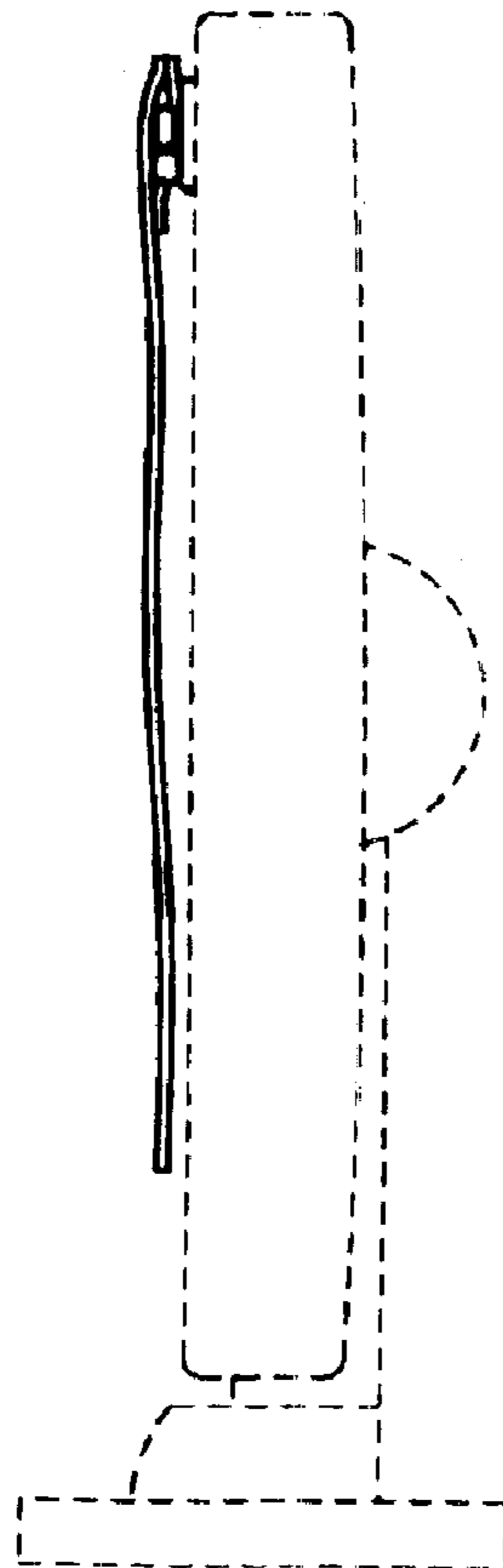


FIG. 5

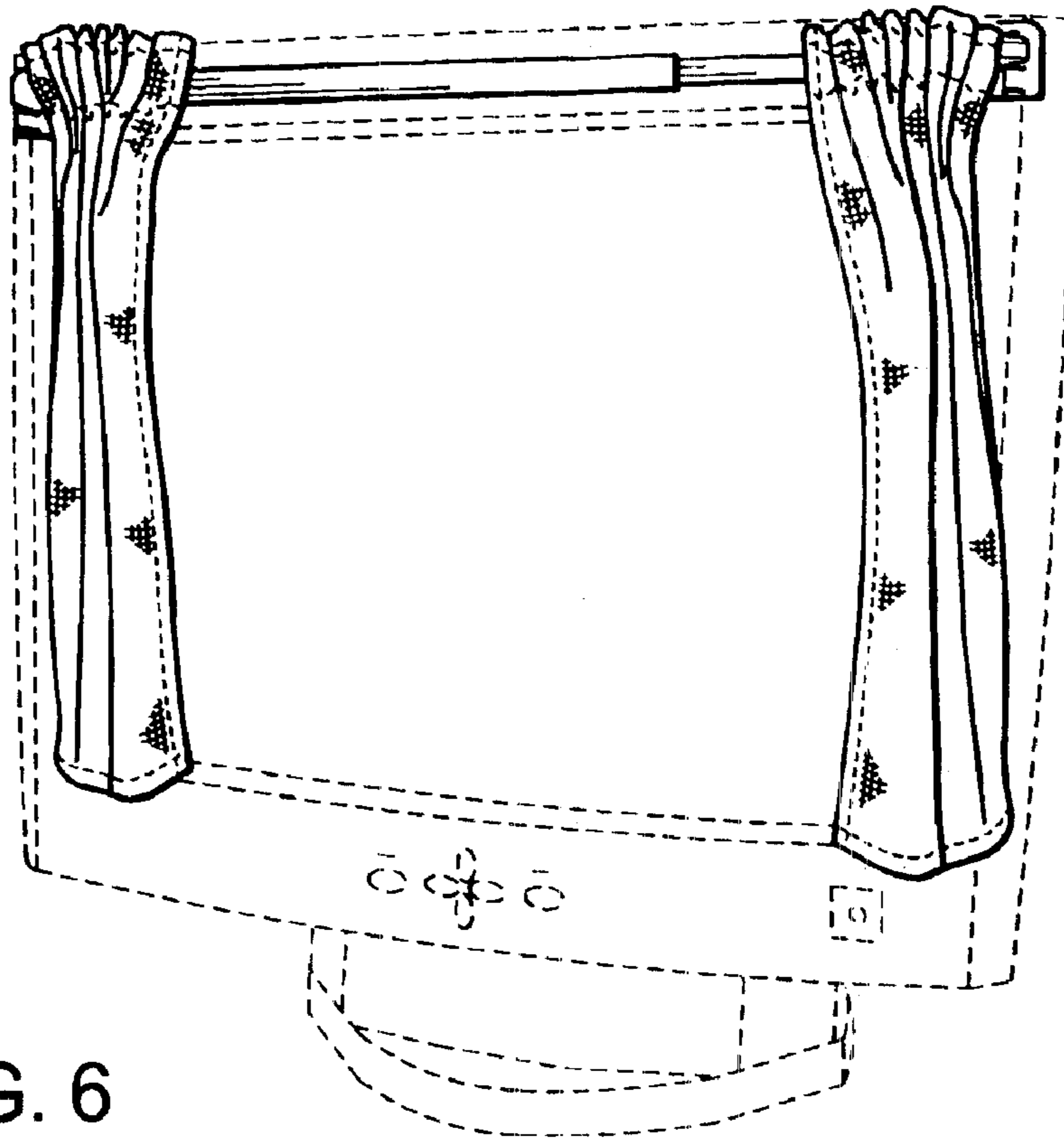


FIG. 6

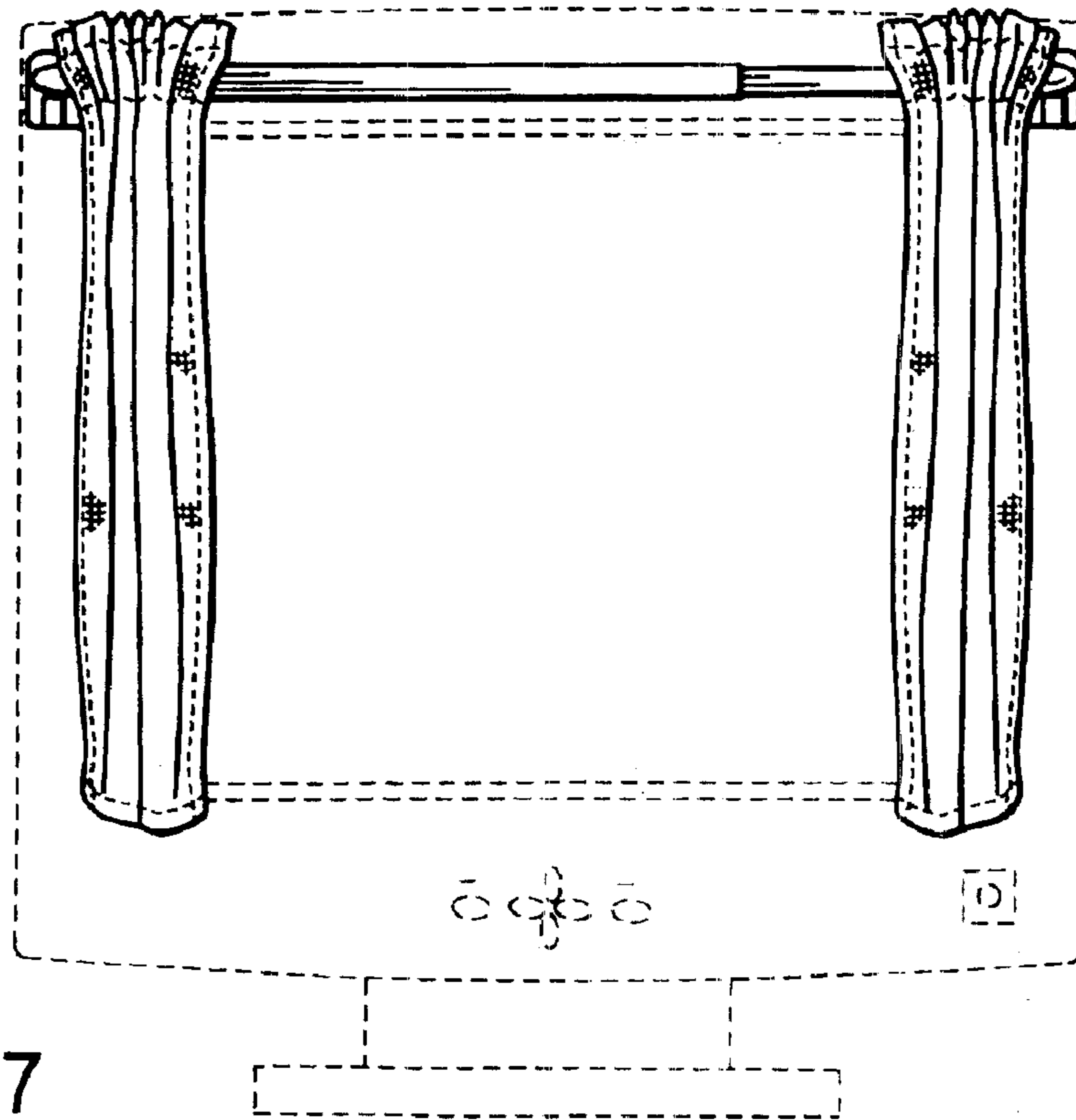


FIG. 7

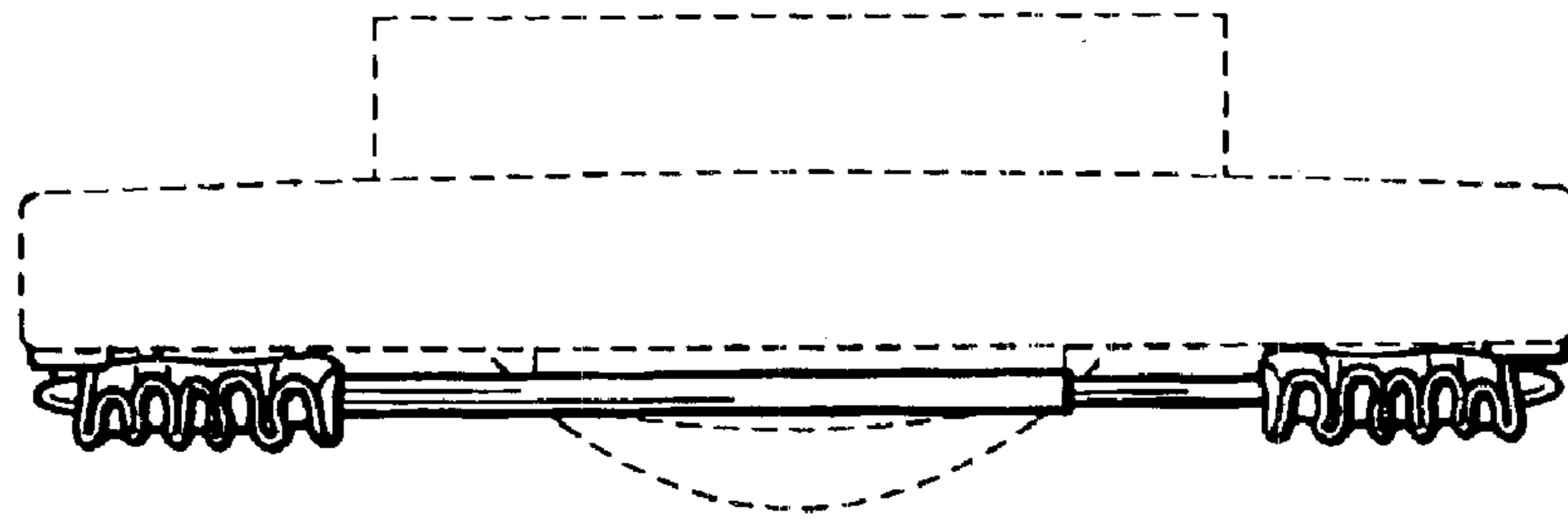


FIG. 8

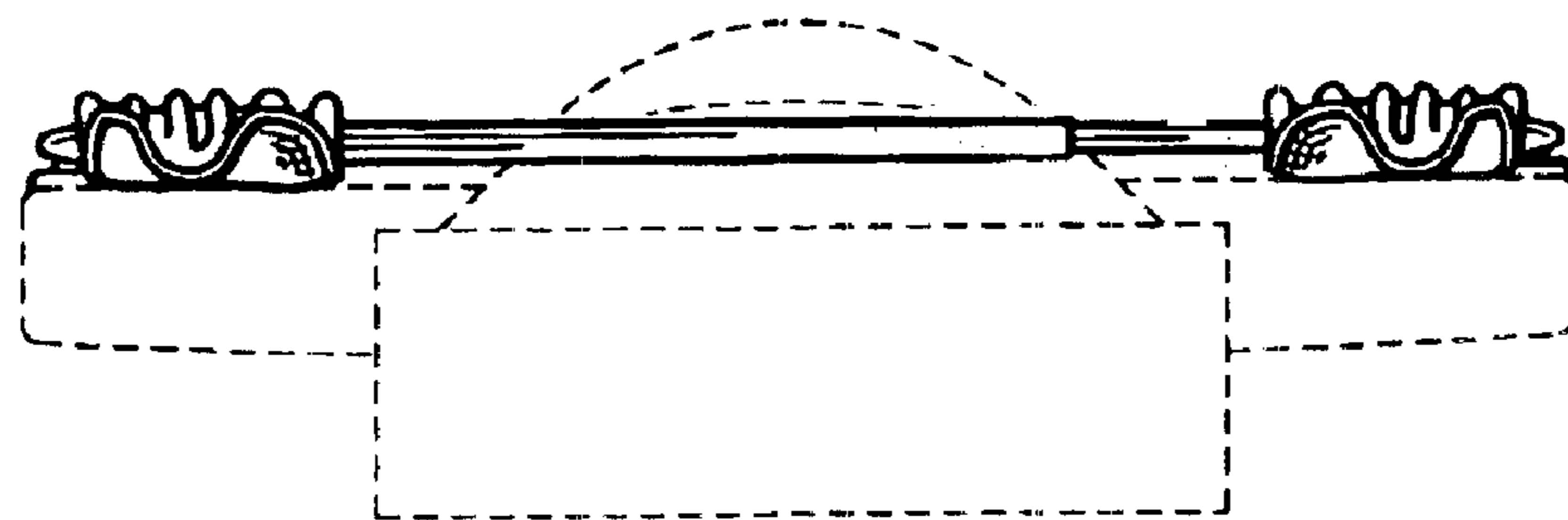


FIG. 9

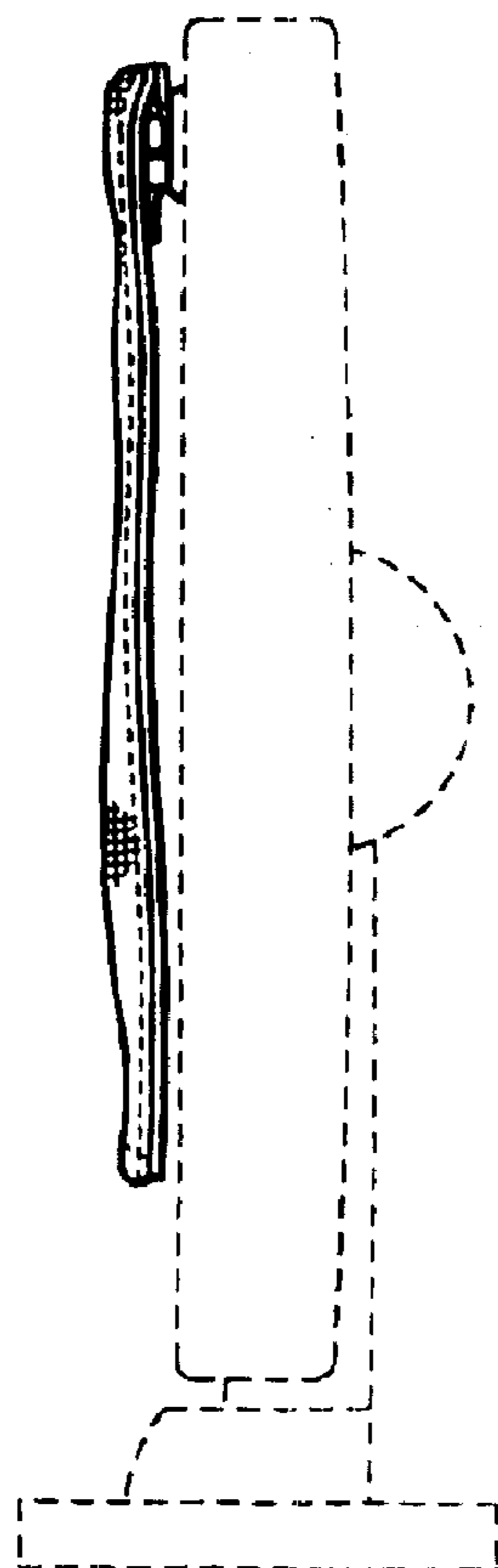


FIG. 10