

US00D514111S

(12) **United States Design Patent**
Wang et al.

(10) **Patent No.: US D514,111 S**
(45) **Date of Patent: ** Jan. 31, 2006**

(54) **COMPUTER FRONT BEZEL**

D439,254 S * 3/2001 Zhao D14/441

(75) Inventors: **Yu Wang**, Shenzhen (CN); **Chun-Chi Liang**, Tu-Chen (TW); **Yun-Dong Xu**, Shenzhen (CN)

* cited by examiner

Primary Examiner—Freda S. Nunn
(74) *Attorney, Agent, or Firm*—Wei Te Chung

(73) Assignee: **Hon Hai Precision Ind. Co., Ltd.**, Taipei Hsien (TW)

(57) **CLAIM**

(**) Term: **14 Years**

The ornamental design for a computer front bezel, as shown and described.

(21) Appl. No.: **29/212,445**

DESCRIPTION

(22) Filed: **Aug. 31, 2004**

FIG. 1 is a perspective view of a computer front bezel of our new design;

(51) **LOC (8) Cl.** **14-02**

FIG. 2 is a front elevational view thereof;

(52) **U.S. Cl.** **D14/444**

FIG. 3 is a rear elevational view thereof;

(58) **Field of Classification Search** D14/441-446;

FIG. 4 is a left side elevational view thereof;

D13/162, 184, 199; 312/223.2; 361/680-686,

FIG. 5 is a right side elevational view thereof;

361/690-696; 369/34.01, 36.01

FIG. 6 is a top plan view thereof;

See application file for complete search history.

FIG. 7 is a bottom plan view thereof; and,

FIG. 8 is a perspective view thereof being mounted to a computer case and having a plurality of shielding plates attached thereto, wherein the computer case and the shielding plates are shown in broken lines for illustrative purposes only and form no part of the claimed design.

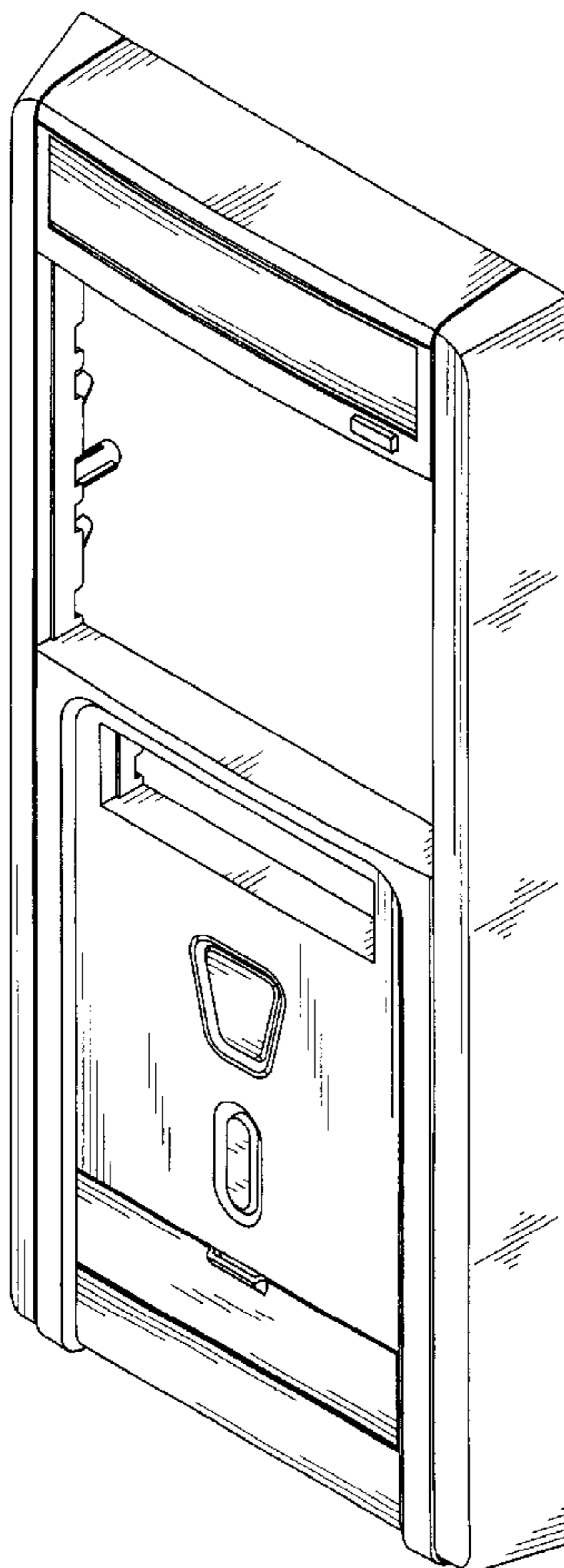
(56) **References Cited**

U.S. PATENT DOCUMENTS

5,169,218 A * 12/1992 Chu 312/223.2

D431,825 S * 10/2000 Jean et al. D14/444

1 Claim, 6 Drawing Sheets



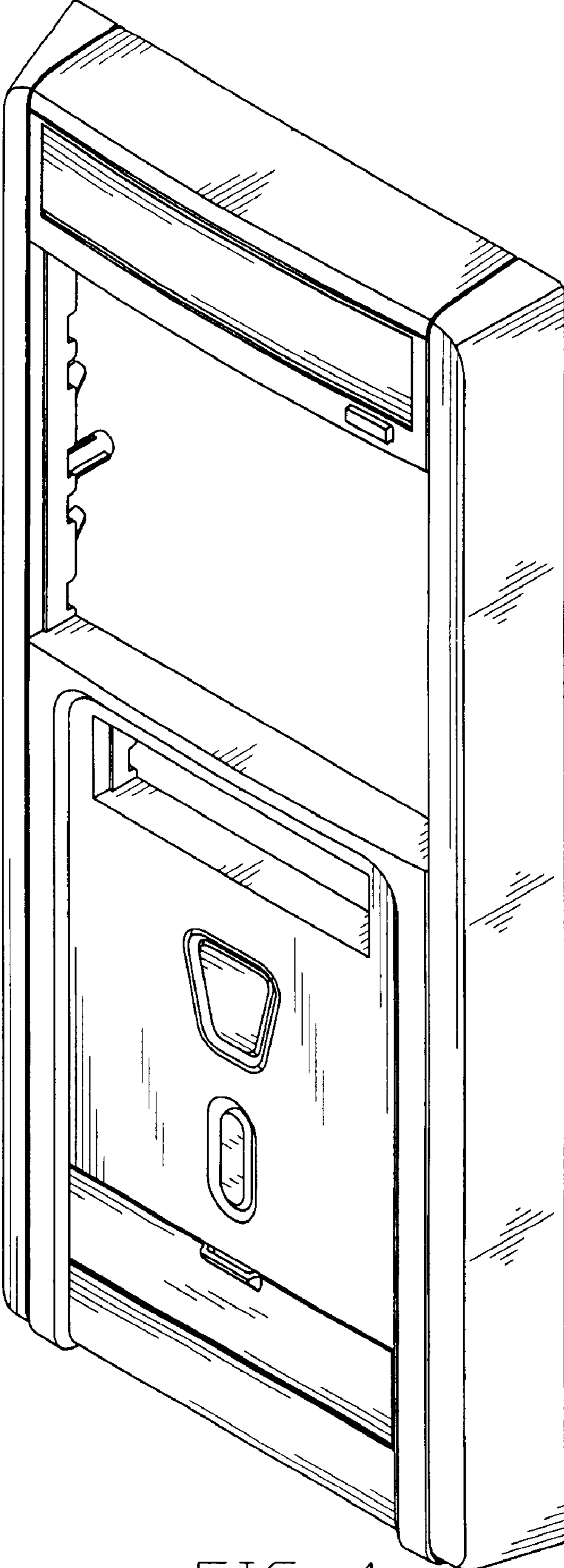


FIG. 1

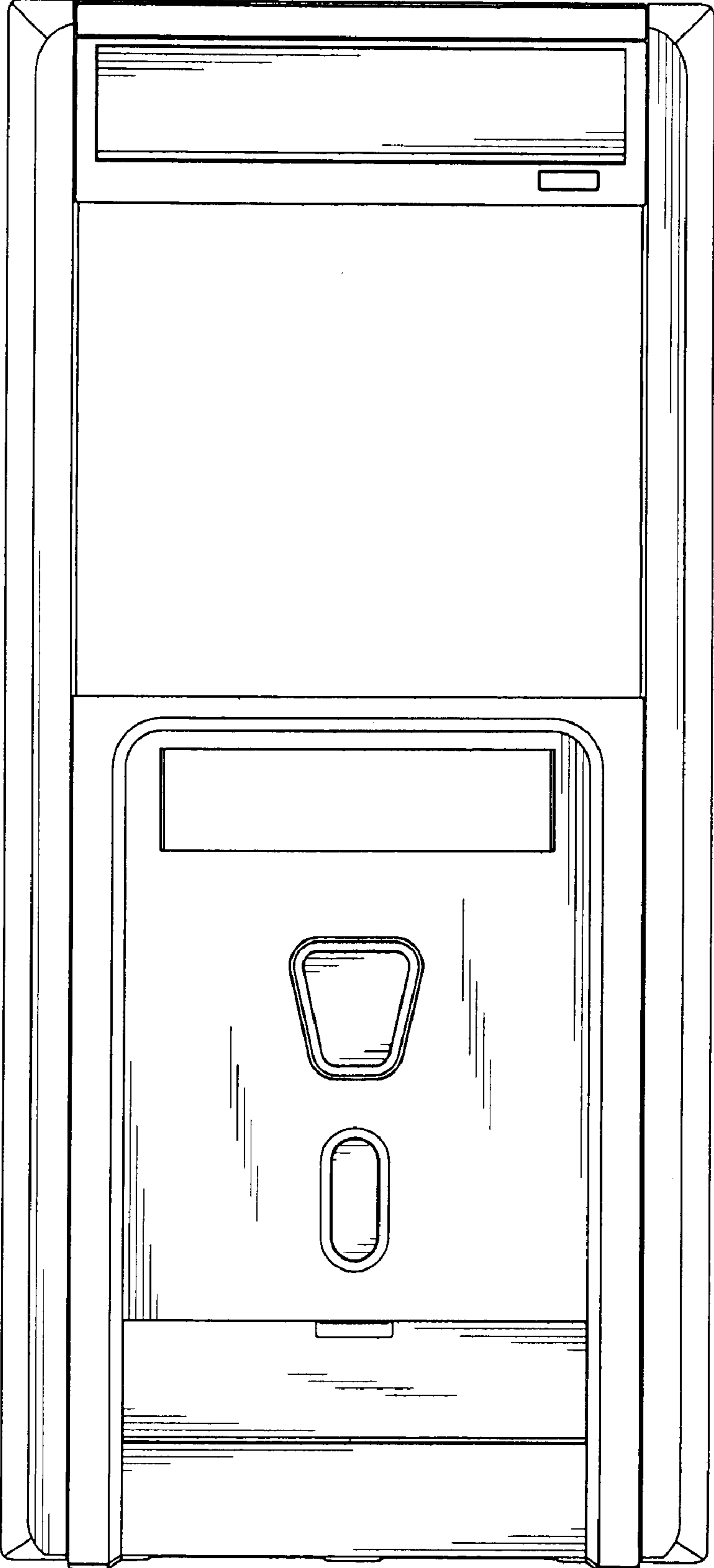


FIG. 2

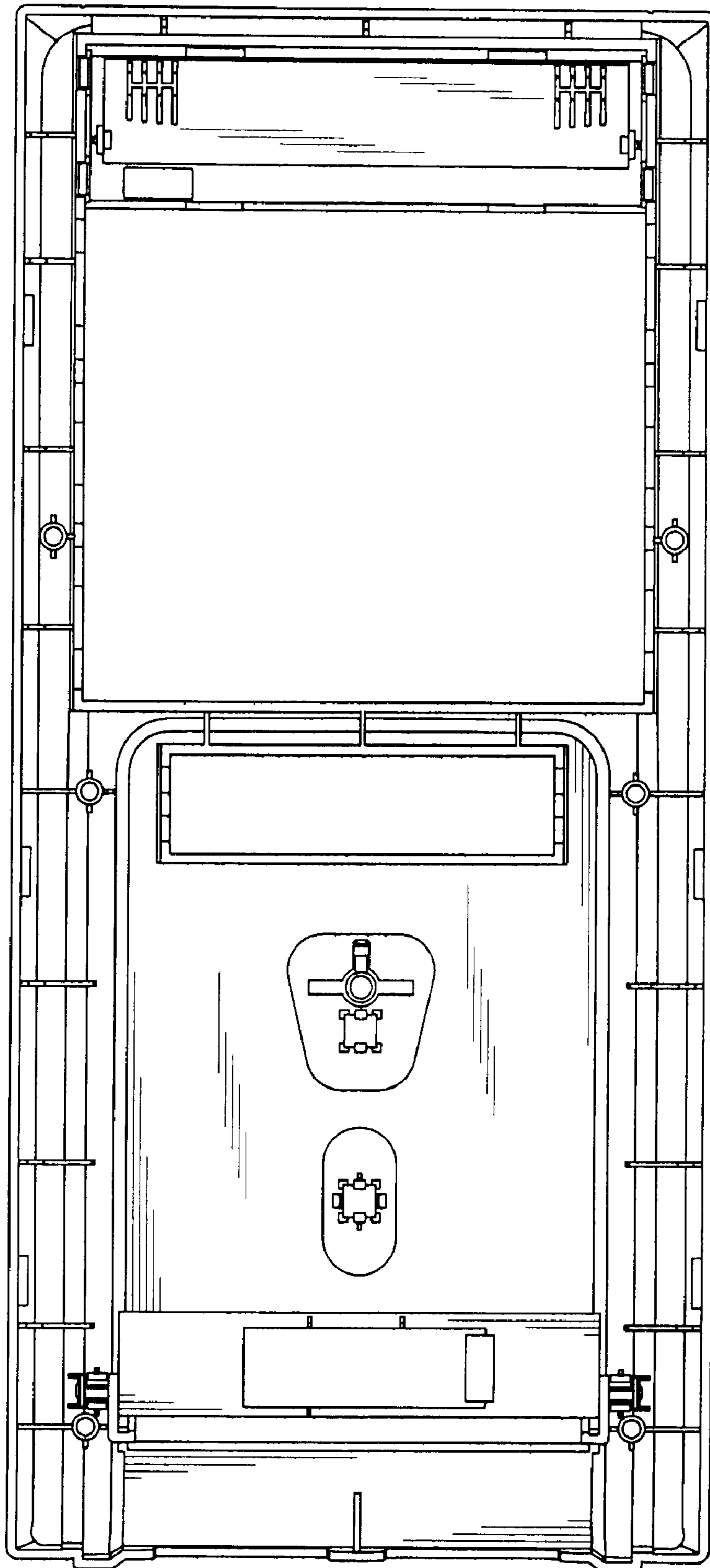


FIG. 3

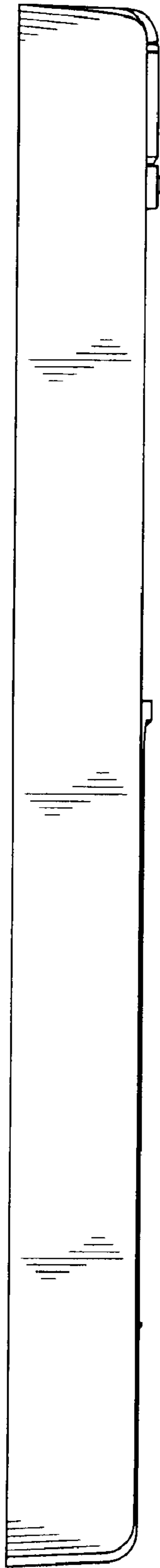


FIG. 4

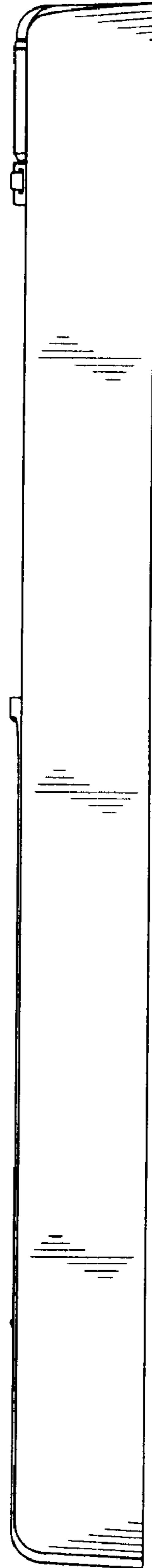


FIG. 5

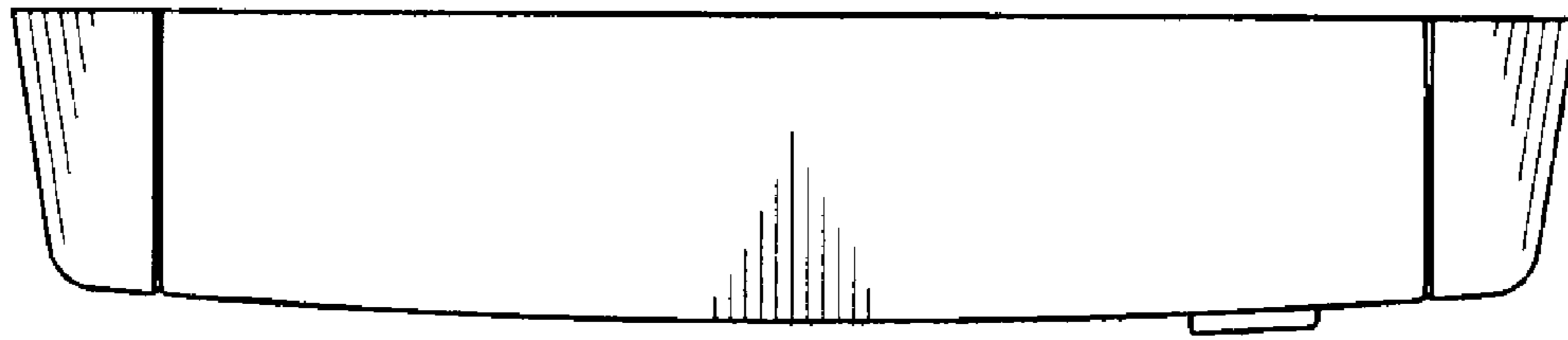


FIG. 6

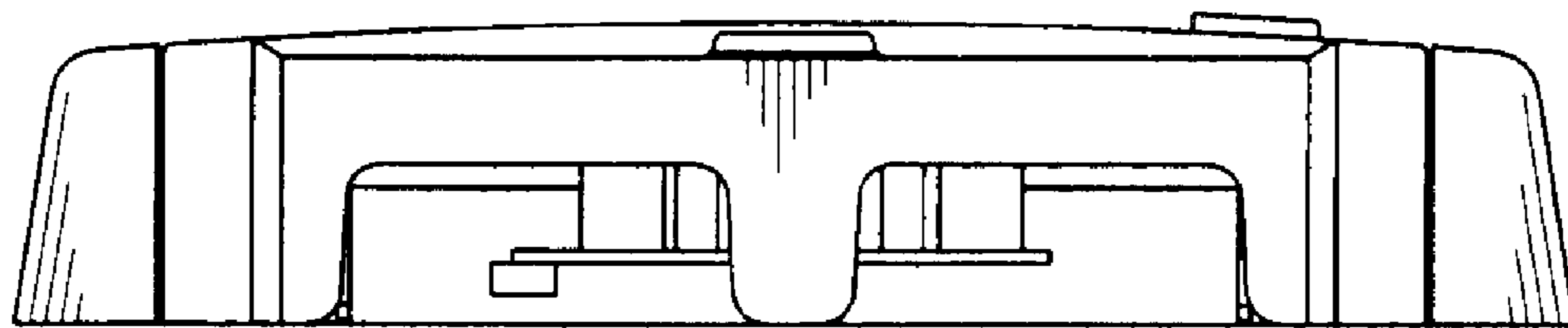


FIG. 7

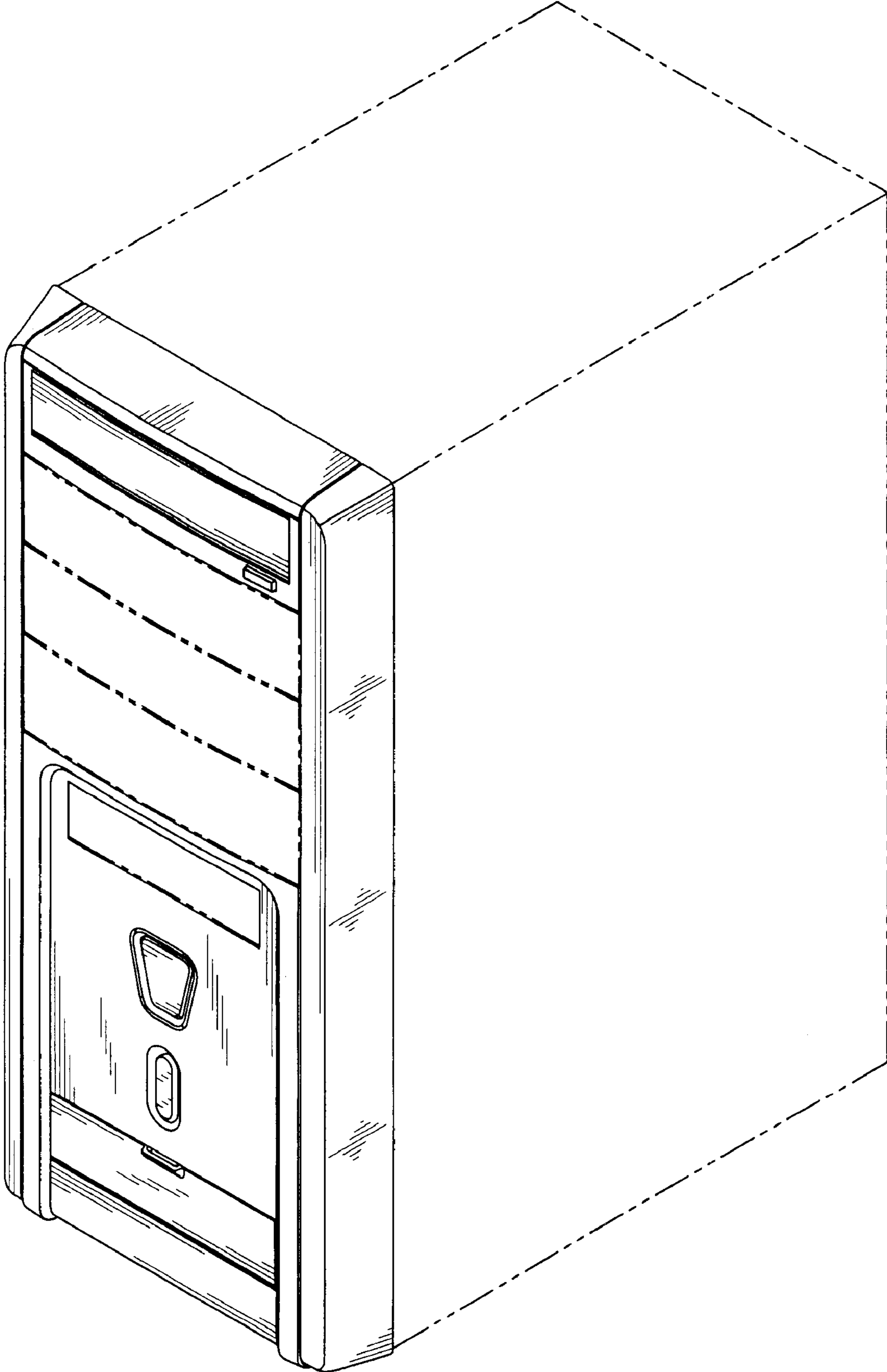


FIG. 8