



US00D514109S

(12) **United States Design Patent** (10) **Patent No.:** **US D514,109 S**  
**McClelland, II et al.** (45) **Date of Patent:** **\*\* Jan. 31, 2006**

(54) **COMPUTER HAVING AN EXTERNAL PANEL**

6,661,651 B1 12/2003 Tanzer et al.  
2003/0011979 A1 \* 1/2003 Tanzer et al. .... 361/685

(75) Inventors: **Belgie B. McClelland, II**, Houston, TX (US); **Qiang Wang**, Cypress, TX (US)

**OTHER PUBLICATIONS**

(73) Assignee: **Hewlett-Packard Development Company, L.P.**, Houston, TX (US)

U.S. Appl. No. 29/209,868; filed Jul. 21, 2004; Applicants: Qiang Wang et al.; Entitled: Computer Having a Drive Carrier.

(\*\*) Term: **14 Years**

U.S. Appl. No. 29/209,597; filed Jul. 19, 2004; Applicants: Belgie B. McClelland II et al.; Entitled: Computer Having a Drive Carrier.

(21) Appl. No.: **29/215,774**

\* cited by examiner

(22) Filed: **Oct. 25, 2004**

*Primary Examiner*—Freda S. Nunn

(51) **LOC (8) Cl.** ..... **14-02**

(52) **U.S. Cl.** ..... **D14/439**

(57) **CLAIM**

(58) **Field of Classification Search** ..... D14/363, D14/366, 367–370, 439; D13/162, 184, 199; 361/680–686; 360/98.01, 98.04

The ornamental design for a computer having an external panel, as shown and described.

See application file for complete search history.

**DESCRIPTION**

(56) **References Cited**

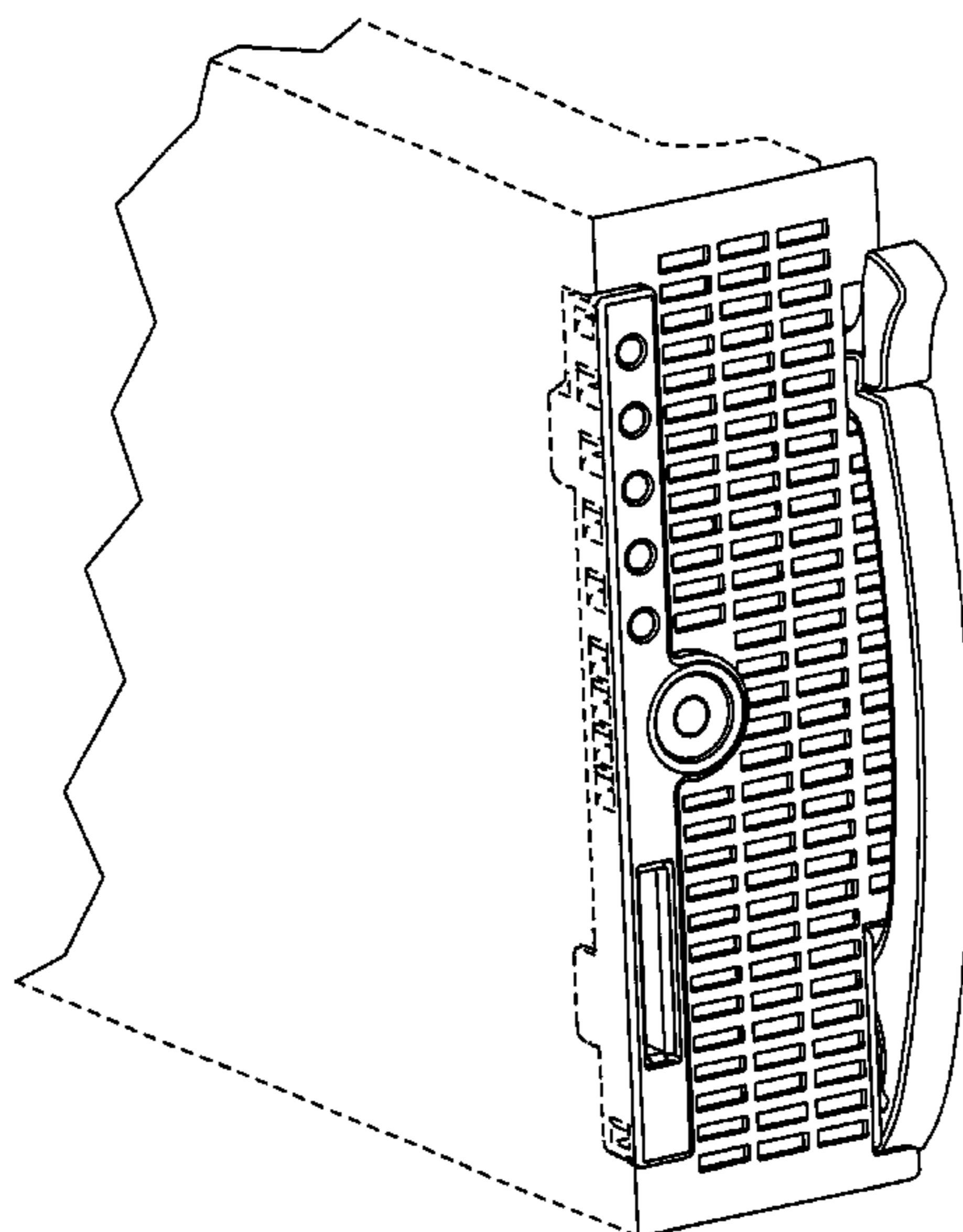
FIG. 1 is a partial perspective view of the design for the computer having an external panel, wherein broken lines illustrate environmental features including the computer; FIG. 2 is a front elevational view of the design for the computer having an external panel of FIG. 1; FIG. 3 is a partial right side elevational view of the design for the computer having an external panel of FIG. 1, wherein broken lines illustrate environmental features including the computer; and, FIG. 4 is a front elevational view of the design for the computer having an external panel of FIG. 1, wherein broken lines illustrate environmental features including a rack mountable enclosure configured to support a plurality of computers.

**U.S. PATENT DOCUMENTS**

|           |    |   |         |                   |       |         |
|-----------|----|---|---------|-------------------|-------|---------|
| 4,941,841 | A  | * | 7/1990  | Darden et al.     | ..... | 361/685 |
| D399,193  | S  | * | 10/1998 | Chang             | ..... | D14/367 |
| D419,147  | S  |   | 1/2000  | Tanzer et al.     |       |         |
| 6,052,278 | A  |   | 4/2000  | Tanzer et al.     |       |         |
| 6,088,221 | A  |   | 7/2000  | Bologna           |       |         |
| D434,395  | S  |   | 11/2000 | Mazzetti et al.   |       |         |
| 6,154,361 | A  | * | 11/2000 | Anderson et al.   | ..... | 361/685 |
| D442,151  | S  |   | 5/2001  | Mazzetti et al.   |       |         |
| 6,247,944 | B1 |   | 6/2001  | Bologna et al.    |       |         |
| 6,302,714 | B1 |   | 10/2001 | Bologna et al.    |       |         |
| D455,752  | S  |   | 4/2002  | Gant et al.       |       |         |
| D458,924  | S  |   | 6/2002  | Tsuyuki et al.    |       |         |
| D461,807  | S  |   | 8/2002  | Kuehn et al.      |       |         |
| 6,442,021 | B1 |   | 8/2002  | Bologna et al.    |       |         |
| 6,473,300 | B1 | * | 10/2002 | Youngquist et al. | ..... | 361/685 |
| D470,486  | S  | * | 2/2003  | Cheng             | ..... | D14/363 |
| D473,197  | S  | * | 4/2003  | Bovell            | ..... | D13/182 |
| D476,631  | S  | * | 7/2003  | Frank et al.      | ..... | D13/182 |
| D481,393  | S  | * | 10/2003 | Alo et al.        | ..... | D14/439 |

In these drawings, the solid lines illustrate the claimed ornamental design, whereas the broken lines illustrate environmental features that form no part of the claimed ornamental design.

**1 Claim, 4 Drawing Sheets**



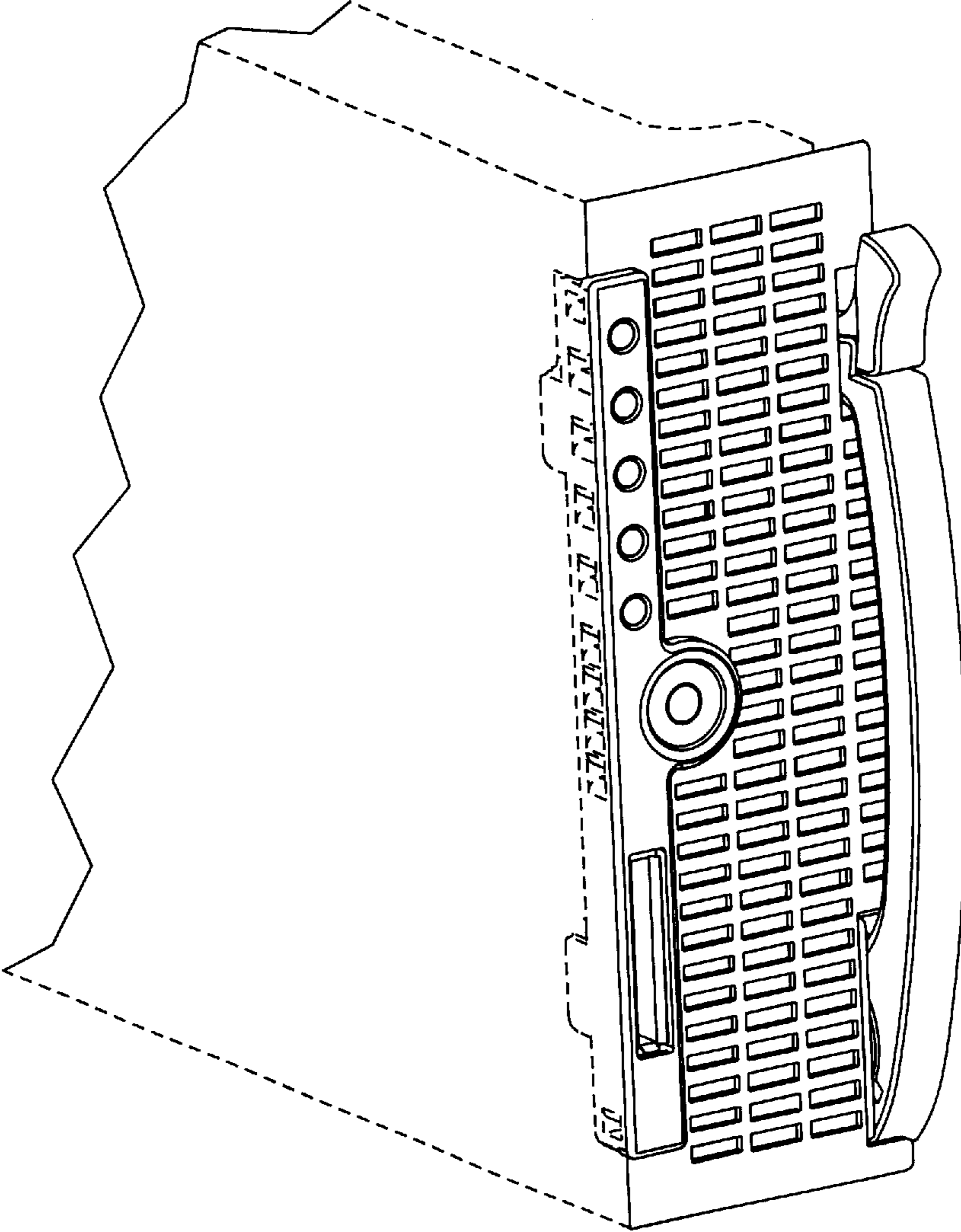


FIG. 1

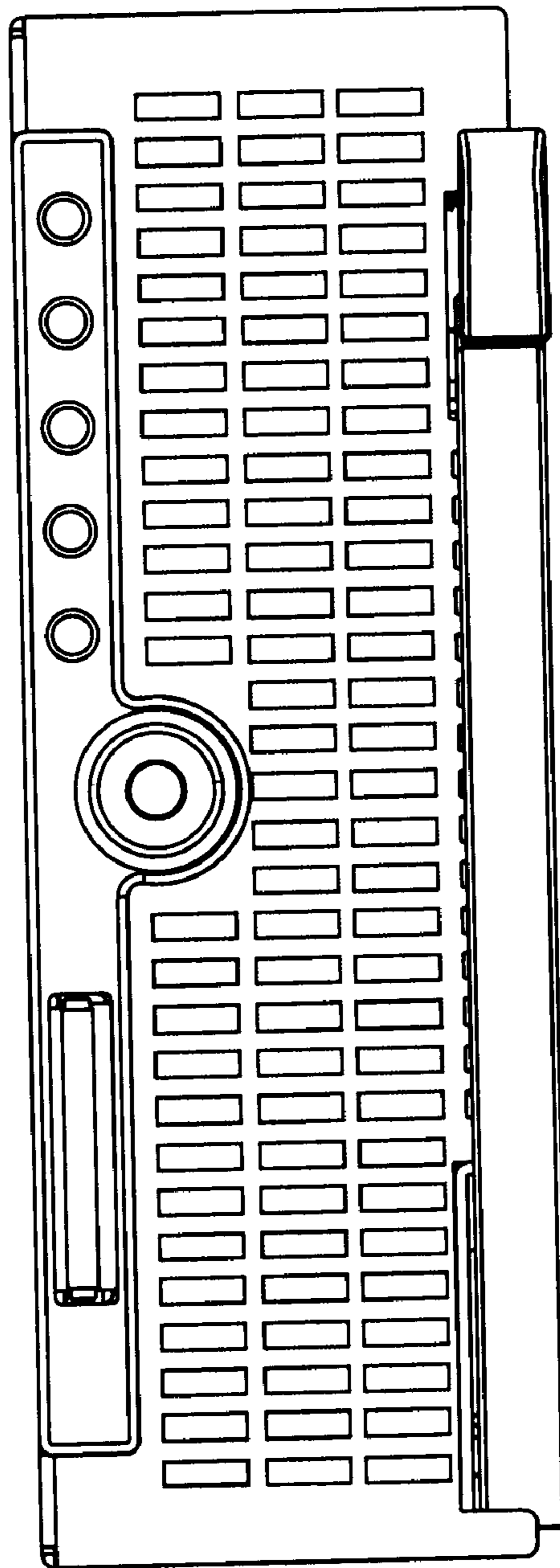


FIG. 2

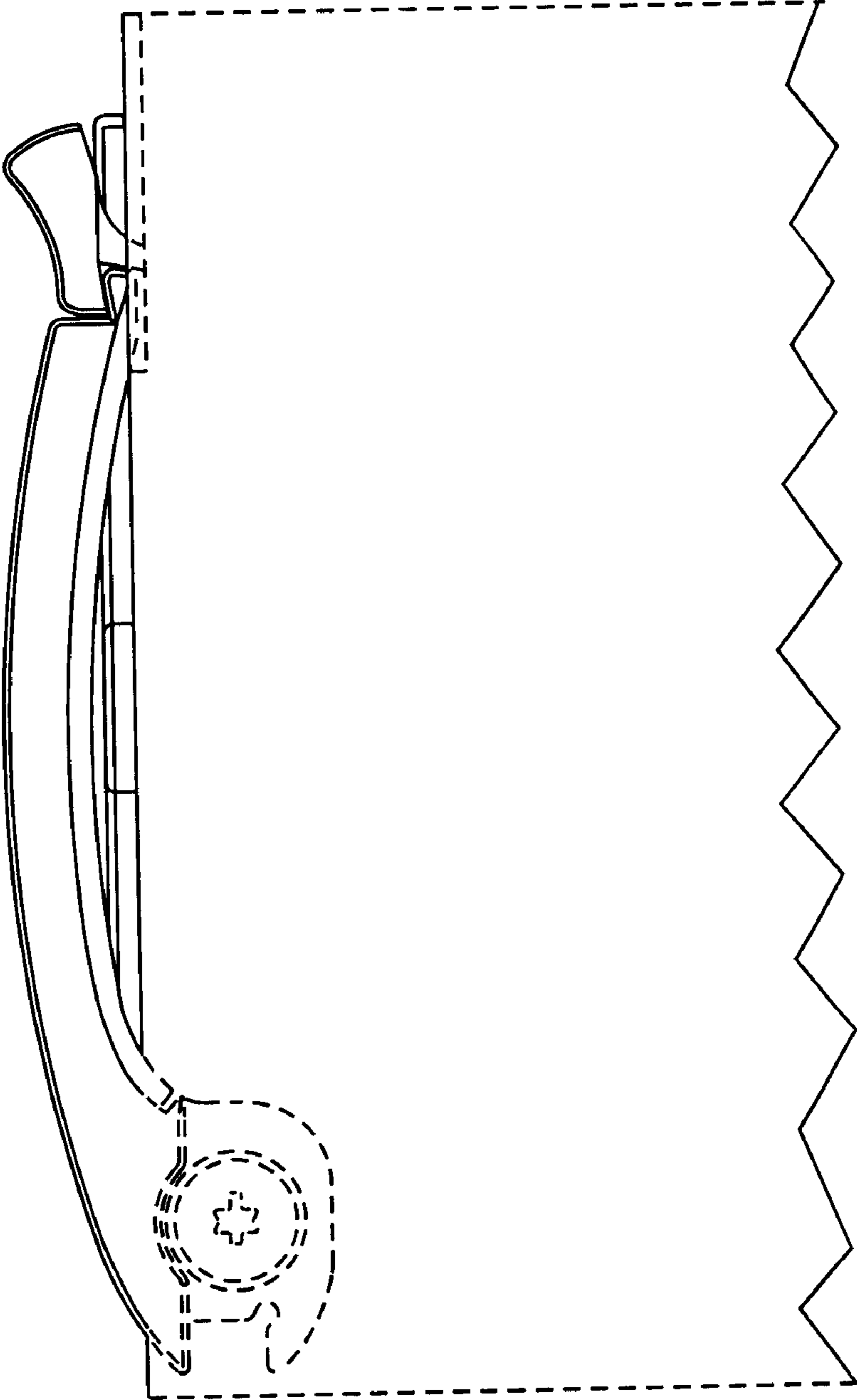


FIG. 3

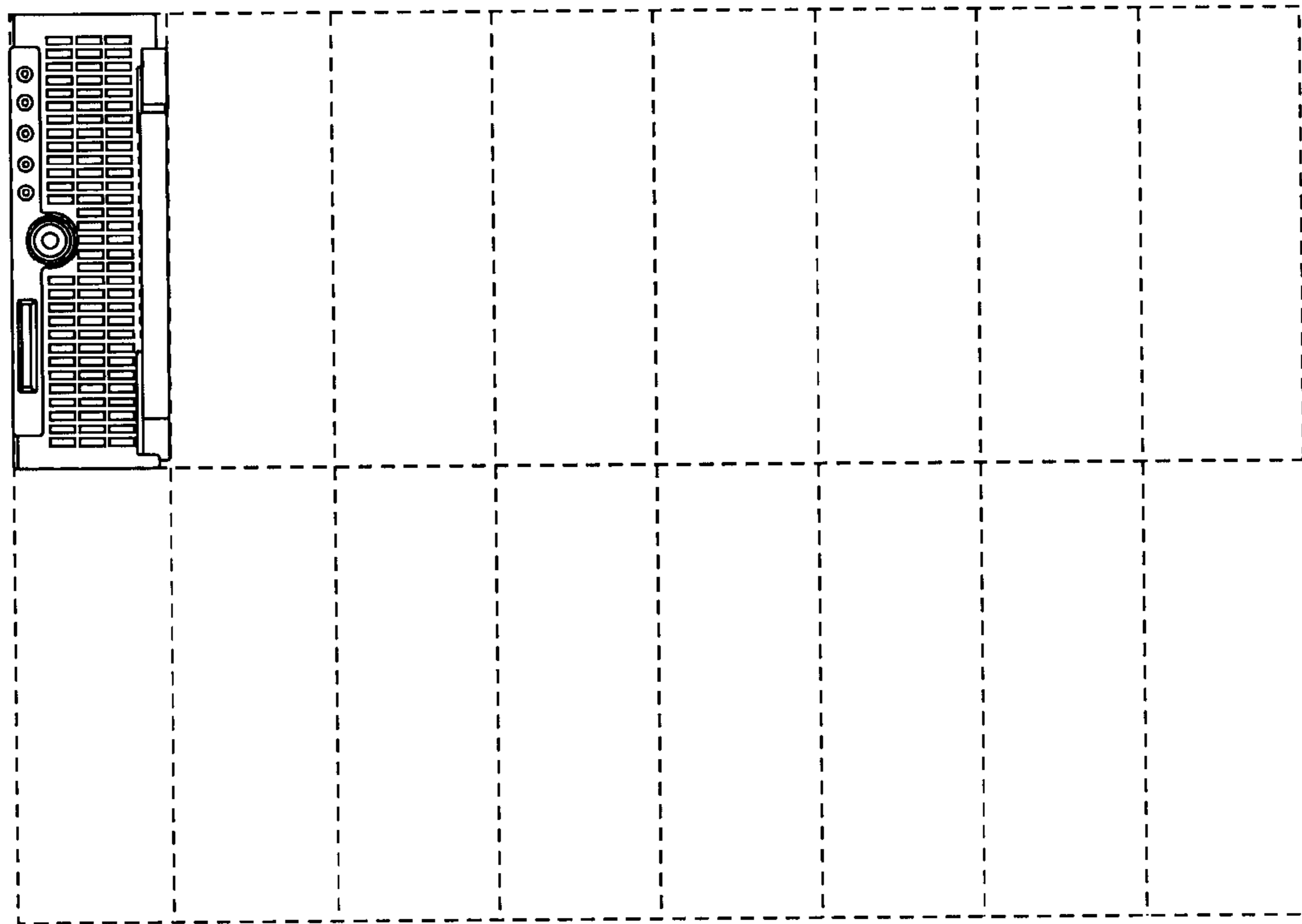


FIG. 4