



US00D514108S

(12) **United States Design Patent**
Bahar et al.

(10) **Patent No.:** **US D514,108 S**
(45) **Date of Patent:** **** Jan. 31, 2006**

(54) **HOUSING FOR A COMMUNICATION
INTERFACE ADAPTER OR SIMILAR
ARTICLES**

(75) Inventors: **Dalit Bahar**, Tel Aviv-Yaffo (IL); **Lior Assif**, Petach-Tickva (IL); **Shlomo Cohen-Gers**, Givatayim (IL); **Timothy E. McKeown**, Glen Ellyn, IL (US); **Aviv Shoval**, Ra'annana (IL)

(73) Assignee: **Motorola, Inc.**, Schaumburg, IL (US)

(**) Term: **14 Years**

(21) Appl. No.: **29/205,538**

(22) Filed: **May 17, 2004**

(51) **LOC (8) Cl.** **14-02**

(52) **U.S. Cl.** **D14/433**

(58) **Field of Classification Search** D14/433,
D14/242, 432-438; 361/600, 622, 683, 684,
361/686, 724, 725-728; D13/184, 123, 110;
379/433.09, 433.11-13, 419, 440, 428.01,
379/428.04; 455/550.1, 552.1, 553.1, 554.1,
455/554.2, 555, 557, 556.1, 558, 575.1, 90.3;
439/101, 108, 946, 607; 174/52.1, 35 R;
902/26

See application file for complete search history.

(56) **References Cited**

U.S. PATENT DOCUMENTS

D355,412 S * 2/1995 Rak et al. D14/242
D364,399 S * 11/1995 Long D14/433

5,505,628 A * 4/1996 Ramey et al. 439/76.1
D371,770 S * 7/1996 Larson et al. D14/242
D378,085 S * 2/1997 Kerklaan et al. D14/436
D392,630 S * 3/1998 Fussell D14/433
D413,879 S * 9/1999 Wu D14/436
D431,035 S * 9/2000 Lehtomaki D14/242
D434,040 S * 11/2000 Yasufuku et al. D14/433
D452,494 S * 12/2001 Sodling D14/242
6,353,534 B1 * 3/2002 Chen 361/684
D458,935 S * 6/2002 Hiroki D14/436
6,400,931 B1 * 6/2002 Inkinen et al. 455/90.1
D465,495 S * 11/2002 Goto D14/433

* cited by examiner

Primary Examiner—Alan P. Douglas

Assistant Examiner—Susan Moon Lee

(74) *Attorney, Agent, or Firm*—Randall S. Vaas

(57) **CLAIM**

The ornamental design for a housing for a communication interface adapter or similar articles, as shown and described.

DESCRIPTION

FIG. 1 is a bottom, side and front perspective view of an ornamental design of a housing for a communication interface adapter or similar articles showing our new design.

FIG. 2 is a front view thereof.

FIG. 3 is a rear view thereof.

FIG. 4 is a left side view thereof.

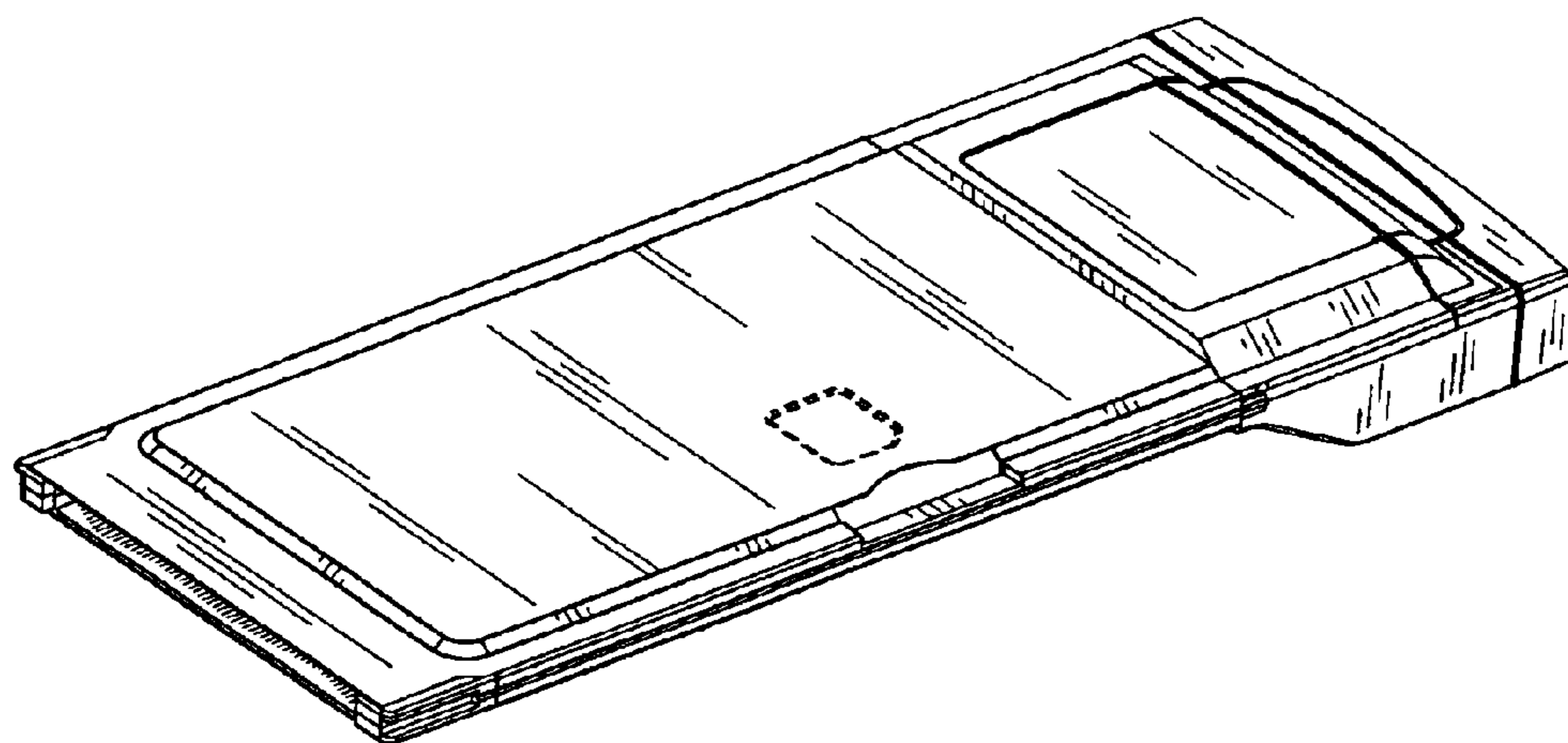
FIG. 5 is a right side view thereof.

FIG. 6 is a top view thereof; and,

FIG. 7 is a bottom view thereof.

The broken line areas form no part of the claimed design.

1 Claim, 4 Drawing Sheets



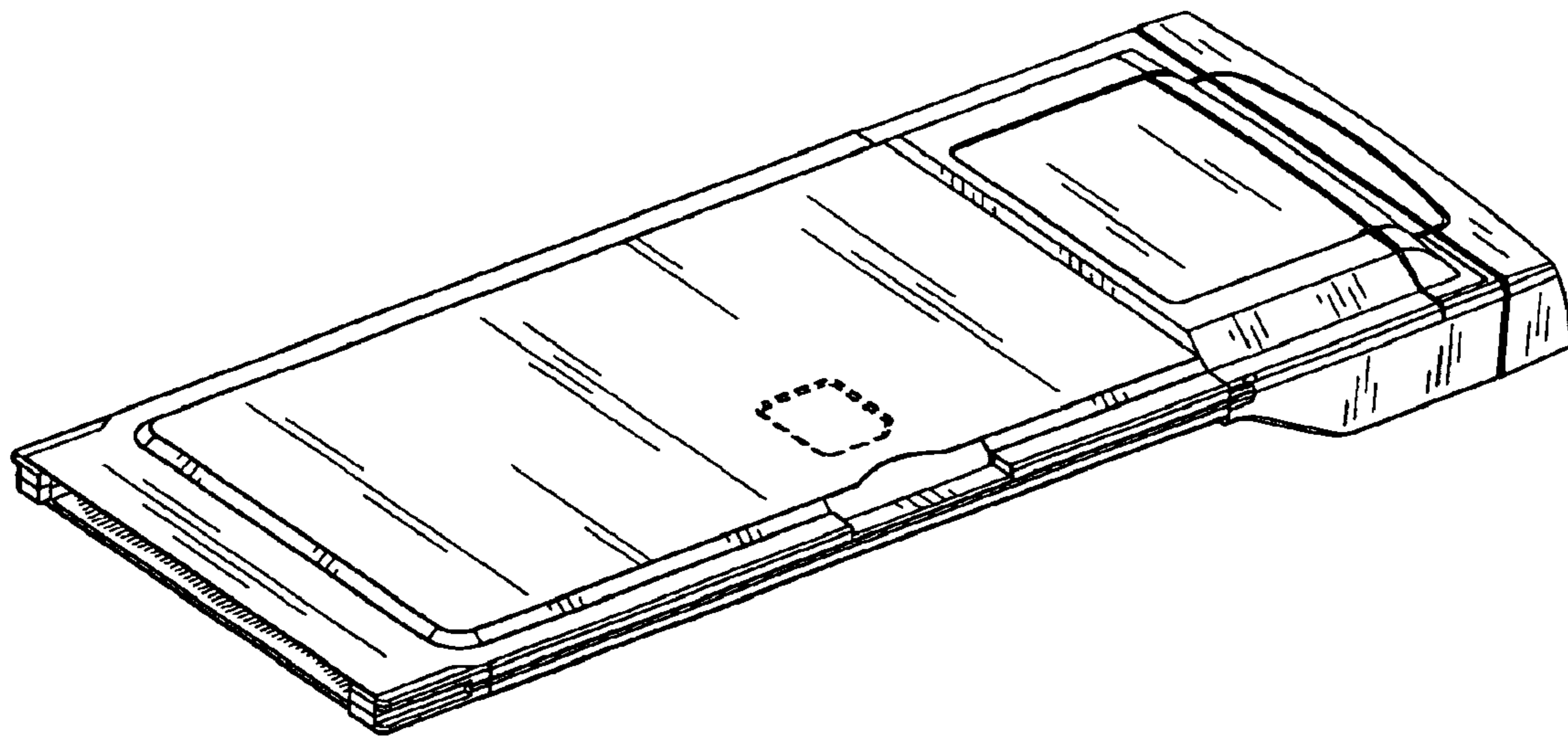


FIG. 1

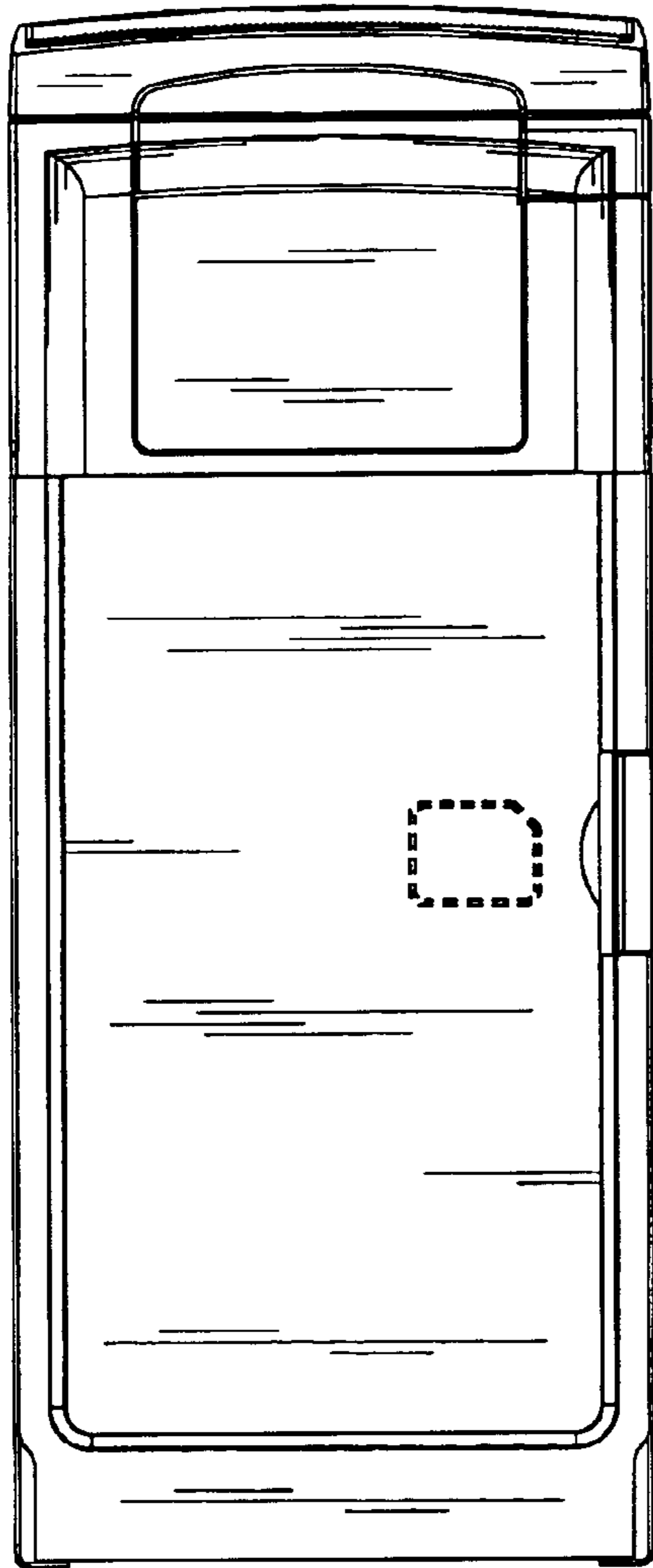


FIG. 2

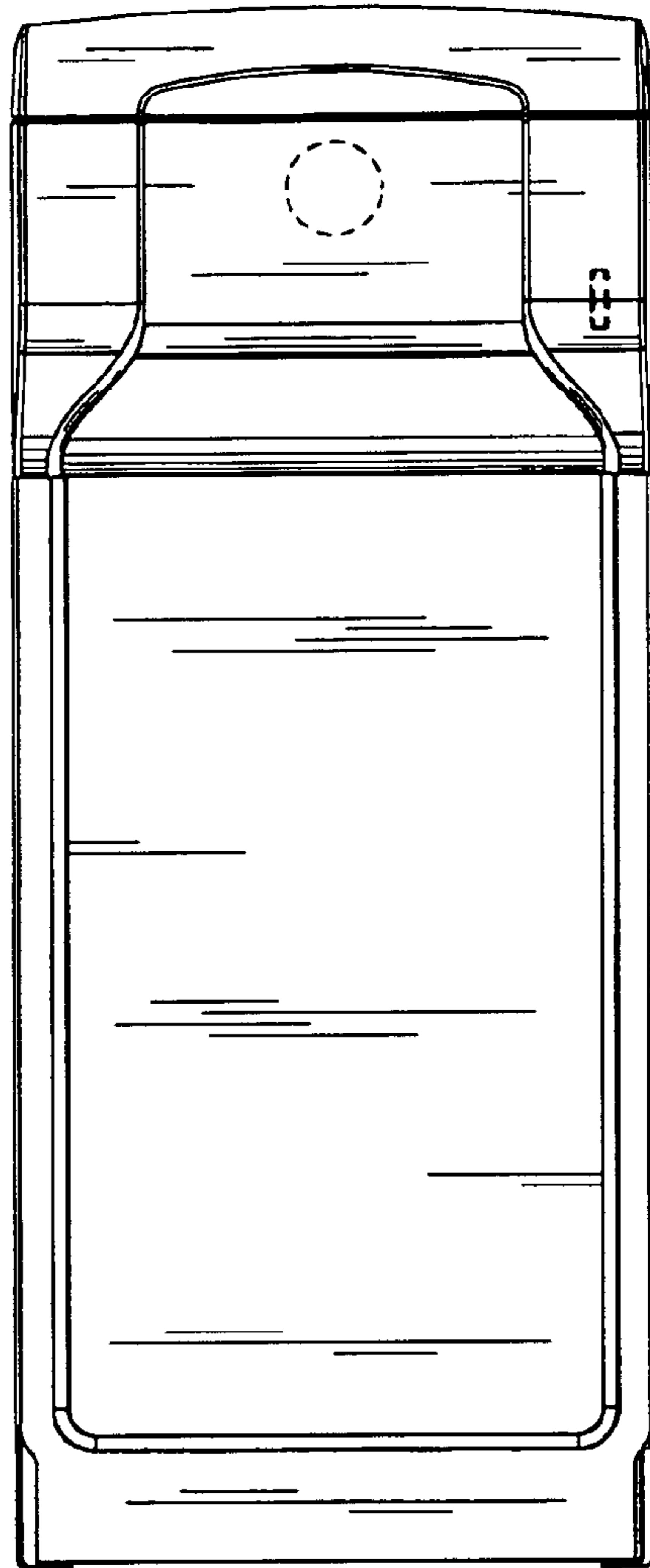


FIG. 3

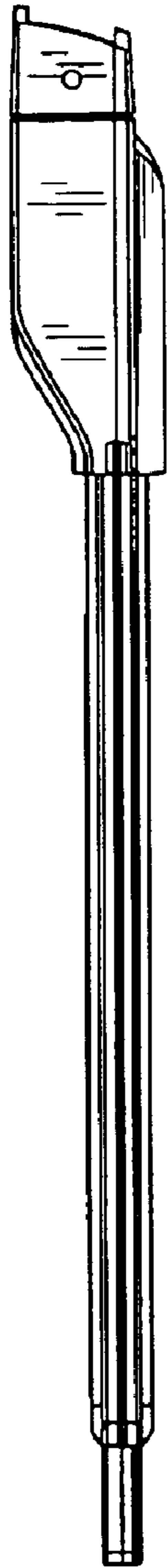


FIG. 4

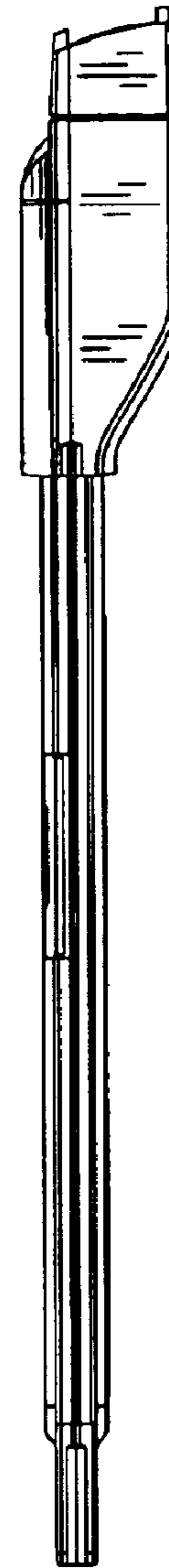


FIG. 5



FIG. 6

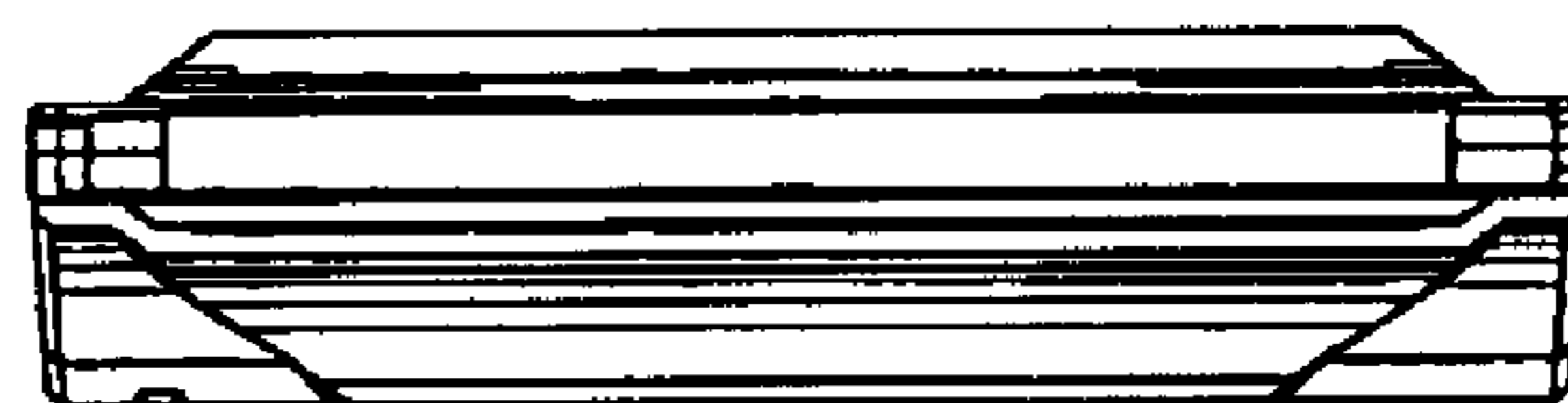


FIG. 7