



US00D514107S

(12) **United States Design Patent**
Sugitani

(10) **Patent No.:** **US D514,107 S**
(45) **Date of Patent:** **** Jan. 31, 2006**

(54) **IMAGE SCANNER FOR A COMPUTER**

(75) Inventor: **Minoru Sugitani**, Kahoku (JP)

(73) Assignee: **PFU Limited**, Ishikawa (JP)

(**) Term: **14 Years**

(21) Appl. No.: **29/213,518**

(22) Filed: **Sep. 20, 2004**

(30) **Foreign Application Priority Data**

Jun. 25, 2004 (JP) 2004-018994

(51) **LOC (8) Cl.** **14-02**

(52) **U.S. Cl.** **D14/422**

(58) **Field of Classification Search** D14/421-425;
D18/36-39, 53-55; 355/81, 75; 399/405,
399/367, 379, 380; 358/497, 496; 235/470,
235/482, 462.43, 483

See application file for complete search history.

(56) **References Cited**

U.S. PATENT DOCUMENTS

| | | | | | |
|------------|---|---------|------------------|-------|---------|
| D277,006 S | * | 1/1985 | Takahashi et al. | | D14/422 |
| D295,412 S | * | 4/1988 | Izaki | | D14/422 |
| D299,826 S | * | 2/1989 | Takahashi | | D14/422 |
| D309,131 S | * | 7/1990 | Horie | | D14/422 |
| D343,390 S | * | 1/1994 | Tarbutt et al. | | D14/422 |
| D383,449 S | * | 9/1997 | Iimura | | D14/422 |
| D415,127 S | * | 10/1999 | Ueda | | D14/425 |
| D439,271 S | * | 3/2001 | Takimura | | D18/39 |
| D469,769 S | * | 2/2003 | Sugitani et al. | | D14/425 |
| D474,770 S | * | 5/2003 | Chujou et al. | | D14/425 |

| | | | | | |
|-----------------|---|---------|------------------|-------|---------|
| 6,707,584 B1 | * | 3/2004 | Morita | | 358/498 |
| D492,313 S | * | 6/2004 | Ichiyoshi et al. | | D14/421 |
| 6,795,219 B2 | * | 9/2004 | Fujita | | 358/496 |
| 2001/0043375 A1 | * | 11/2001 | Yokota | | 358/497 |

* cited by examiner

Primary Examiner—Alan P. Douglas
Assistant Examiner—Susan Moon Lee

(74) *Attorney, Agent, or Firm*—Staas & Halsey LLP

(57) **CLAIM**

The ornamental design for an image scanner for a computer, as shown and described.

DESCRIPTION

FIG. 1 is a front perspective view of an image scanner for a computer showing my new design; FIG. 2 is a front view thereof; FIG. 3 is a rear view thereof; FIG. 4 is a left side elevational view thereof; FIG. 5 is a right side elevational view thereof; FIG. 6 is a top plan view thereof; FIG. 7 is a bottom plan view thereof; FIG. 8 is another front perspective view thereof with the operating cover on the front side in the open position; FIG. 9 is a rear perspective view thereof with the operating cover on the rear side in the open position; and, FIG. 10 is a perspective view thereof with a paper feed tray on the left side and a catch tray on the right side of the scanner are extended. The broken line in the drawings is for illustrative purpose only and forms no part of the claimed design.

1 Claim, 5 Drawing Sheets

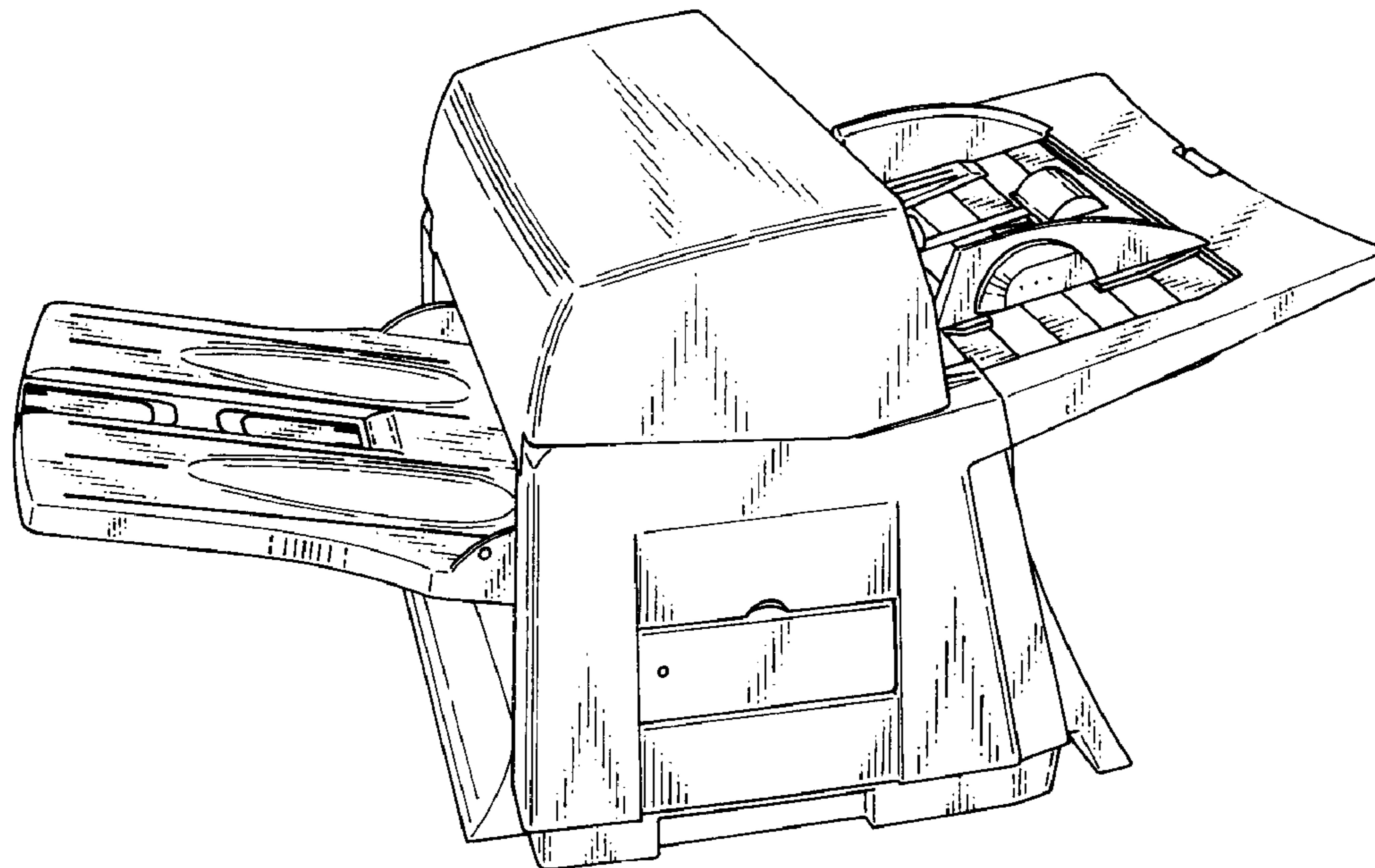


Fig. 1

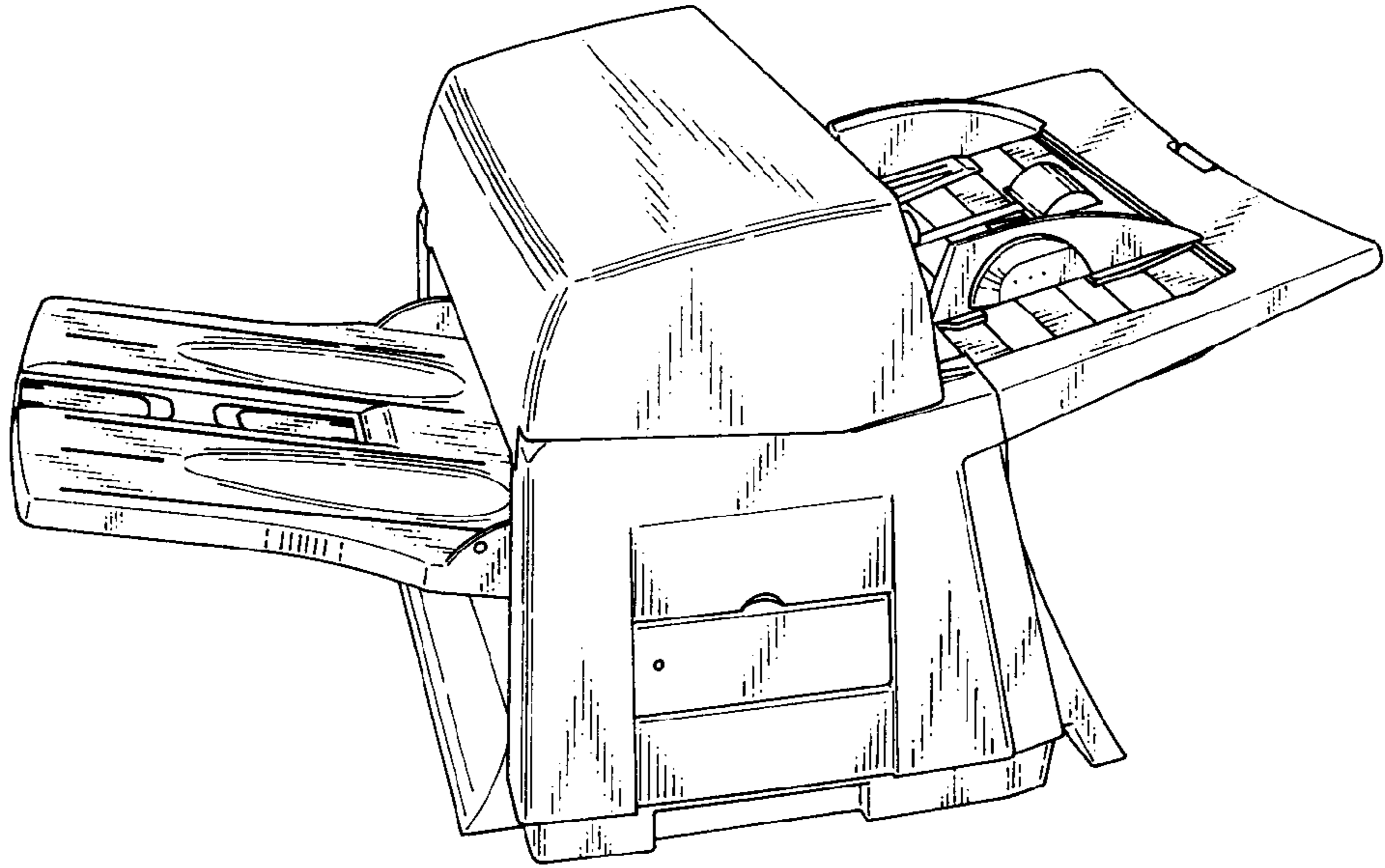


Fig. 2

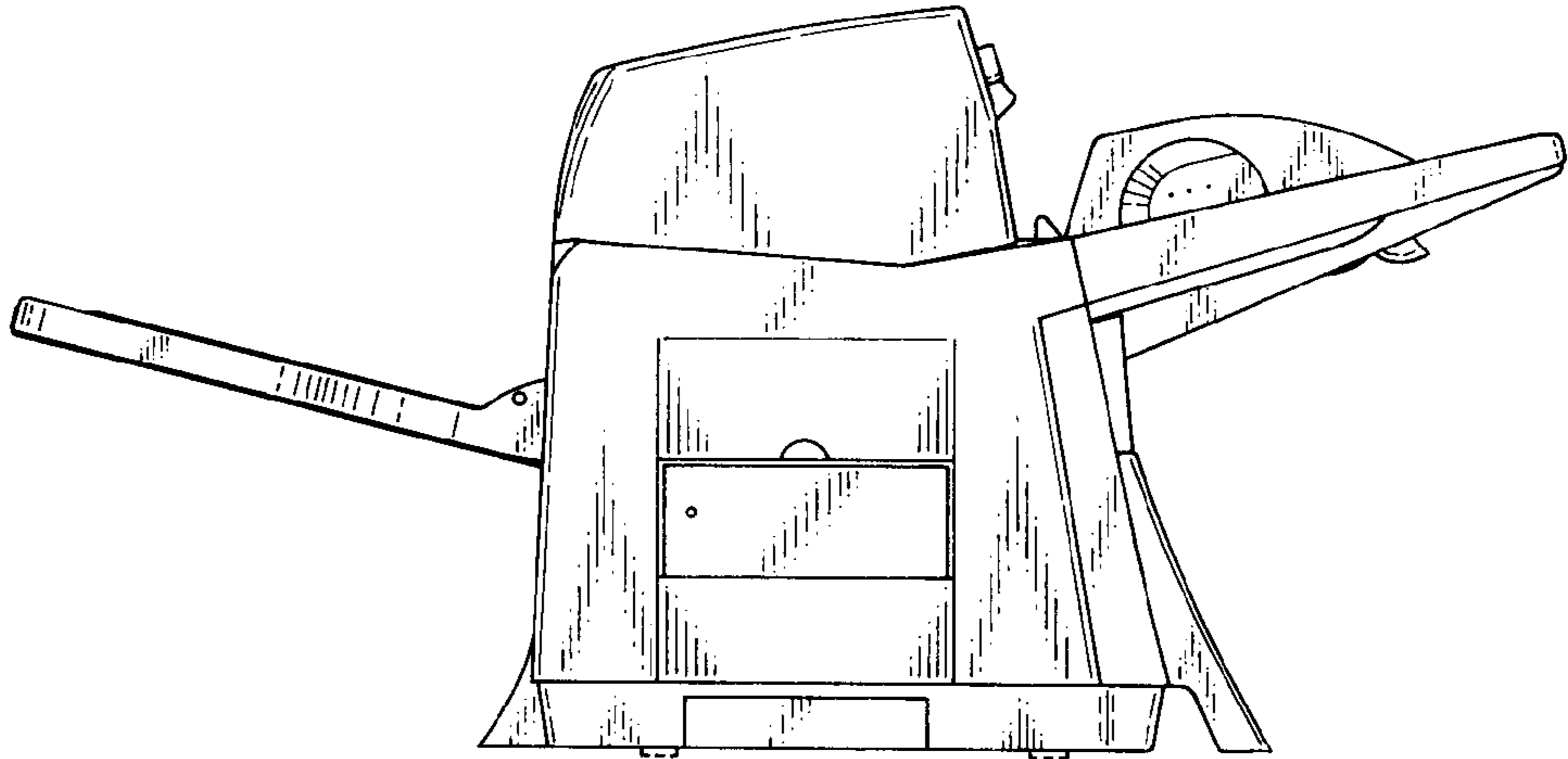


Fig. 3

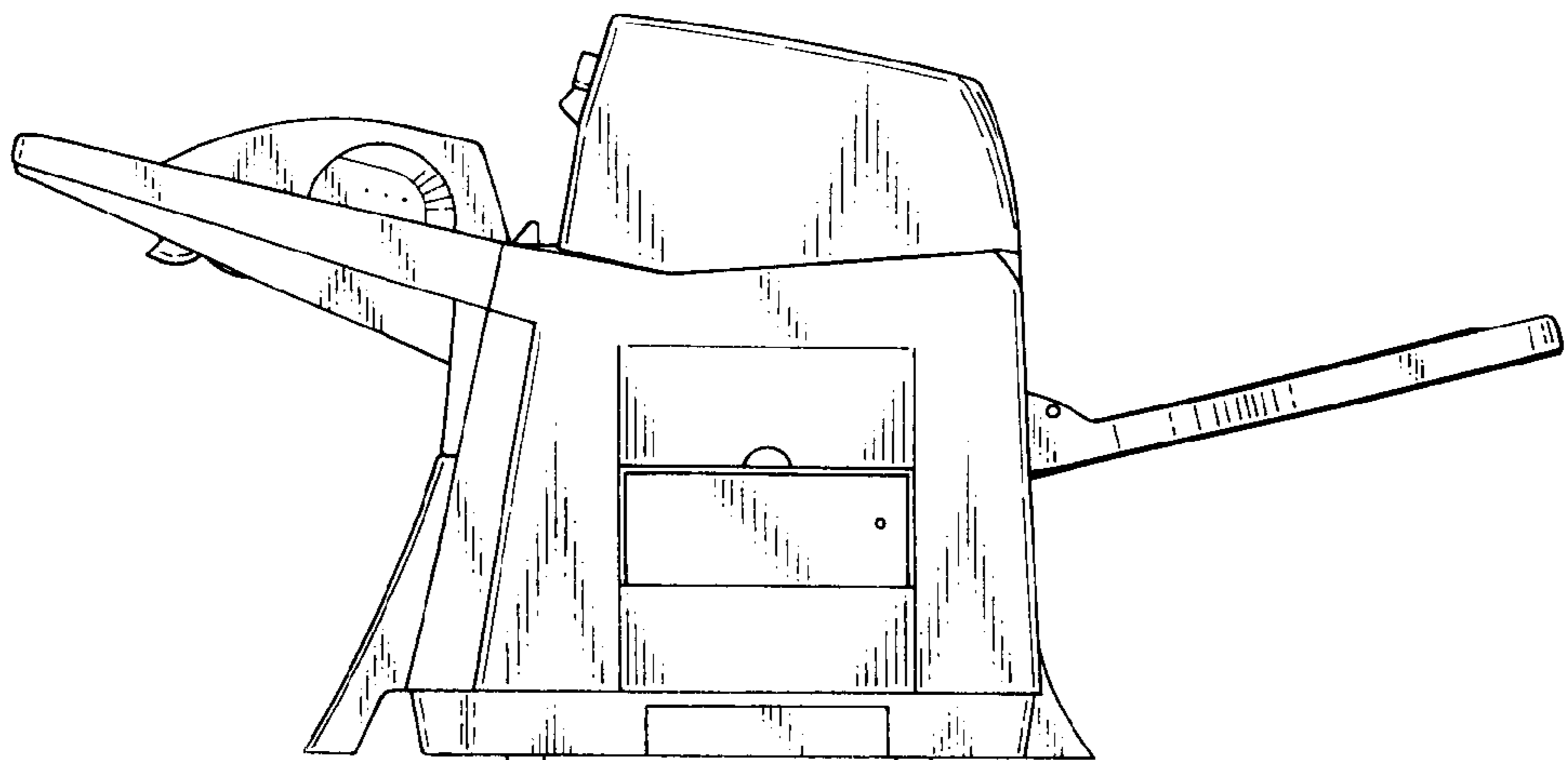


Fig.4

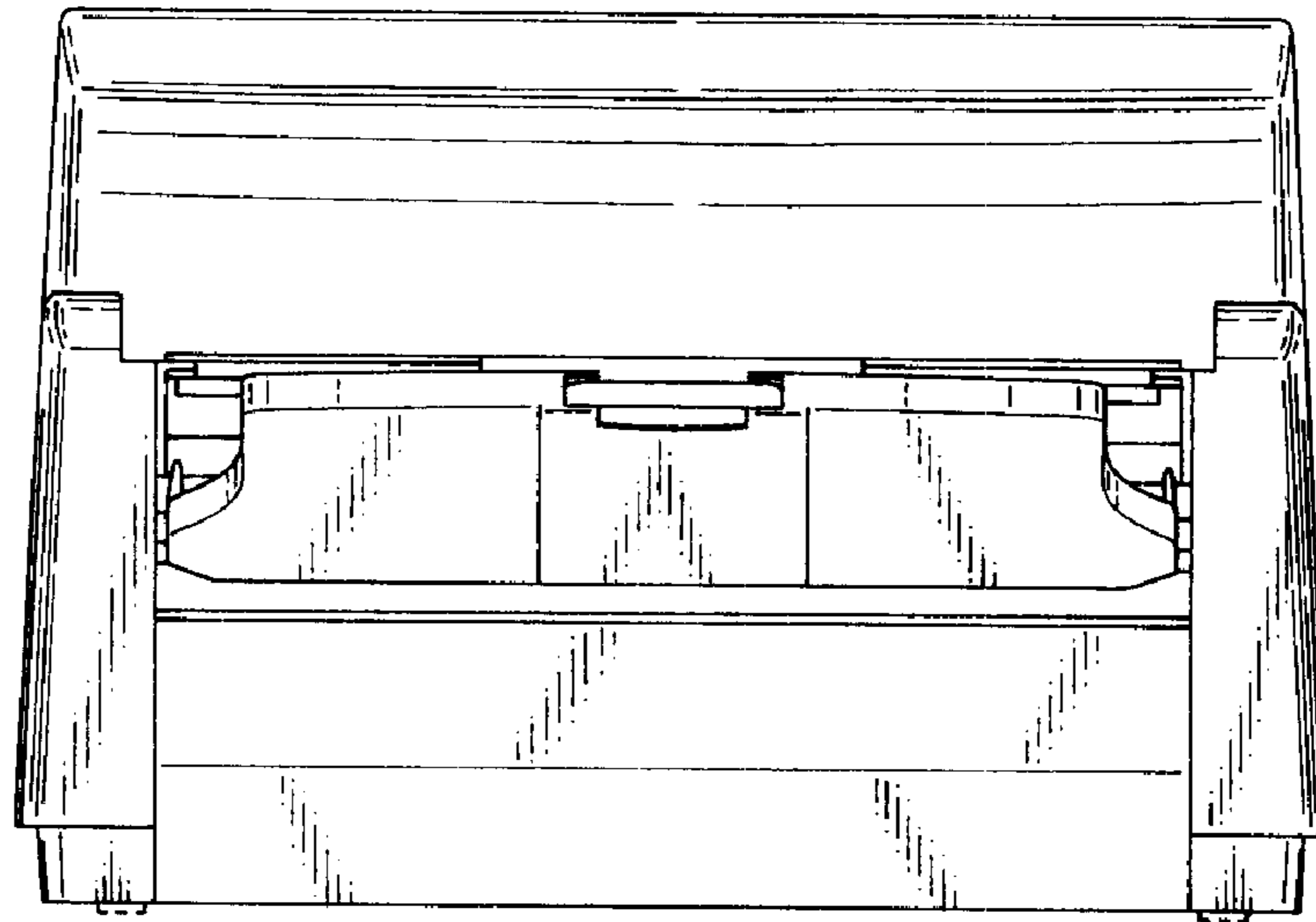


Fig.5

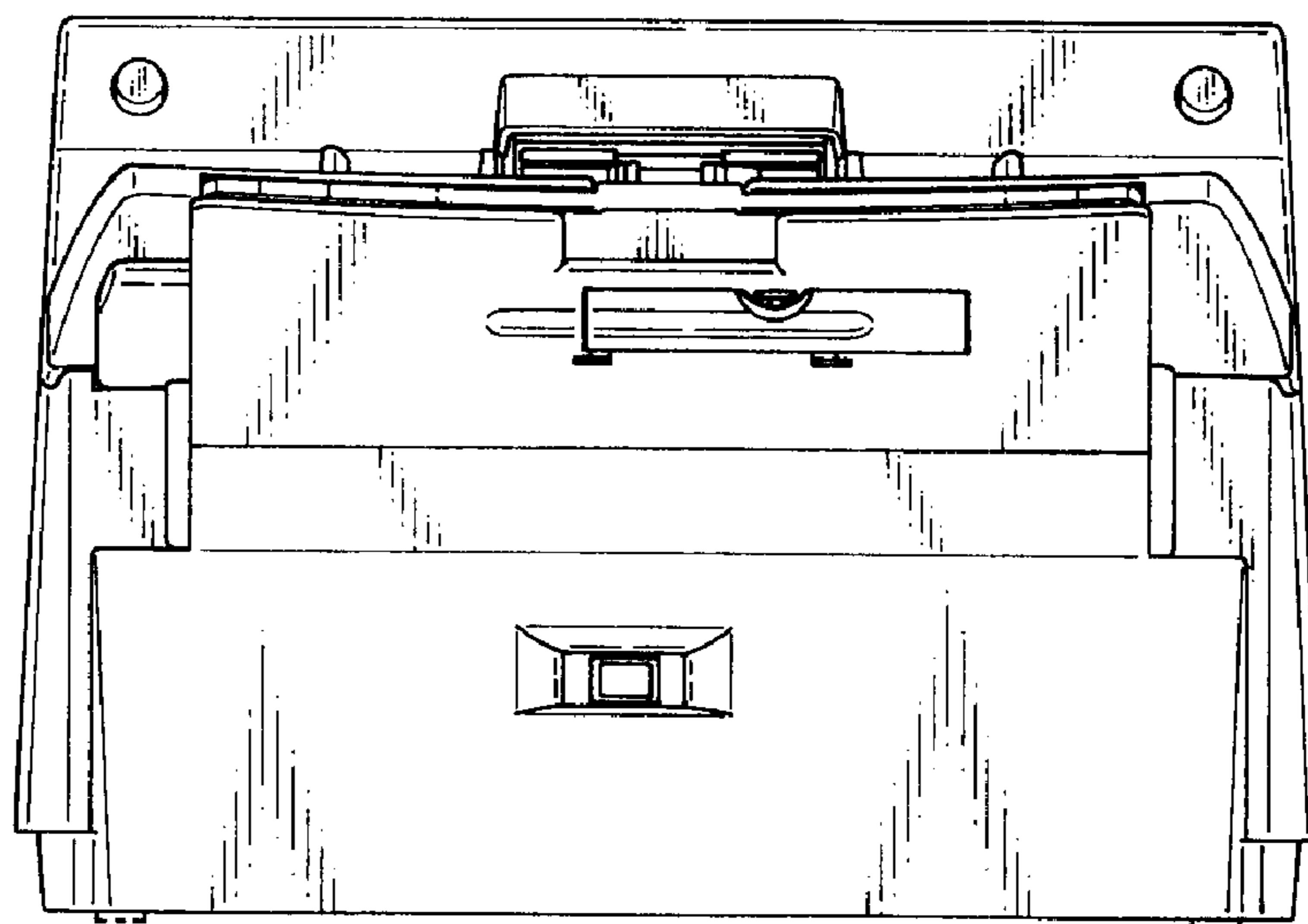


Fig.6

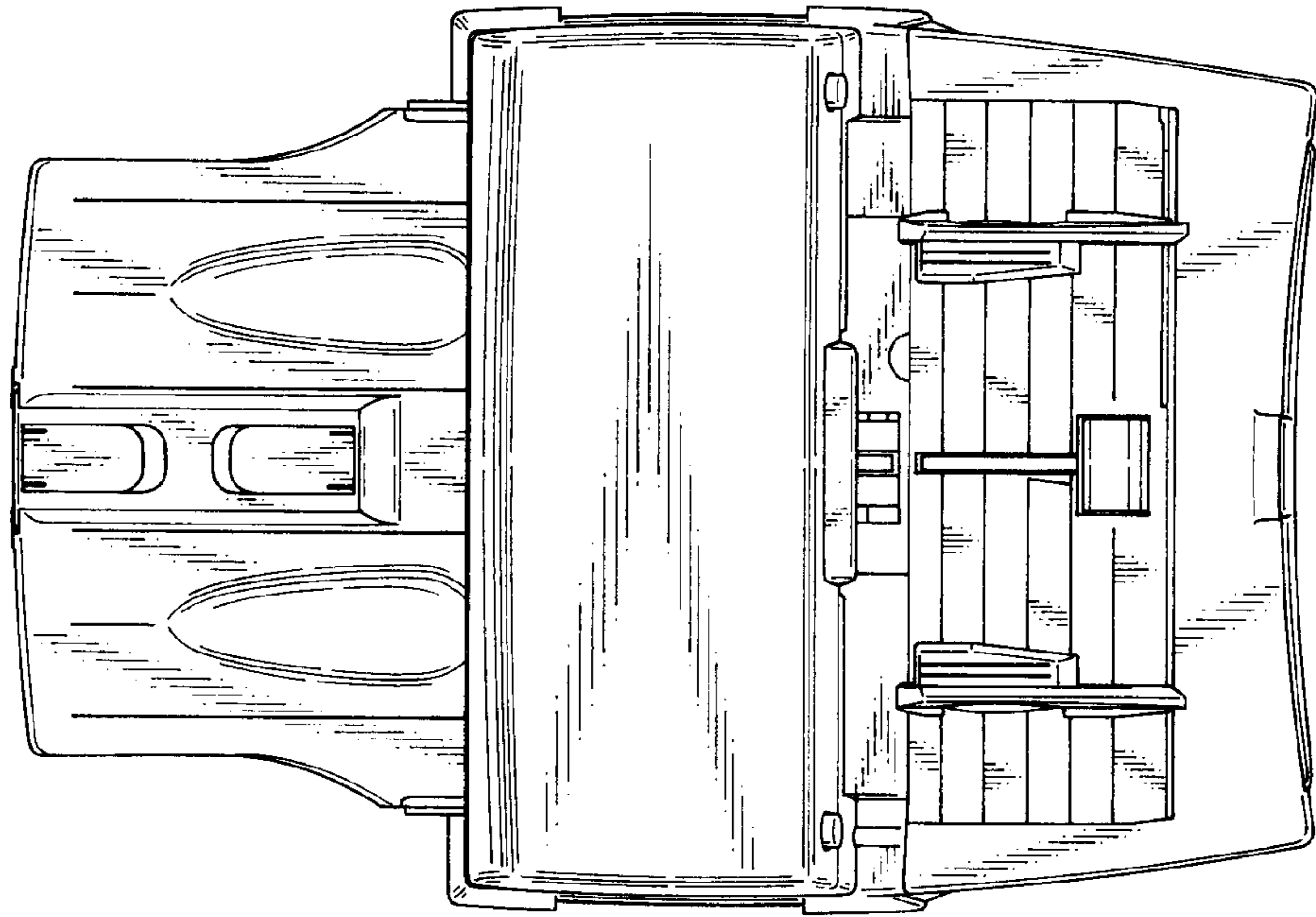


Fig.7

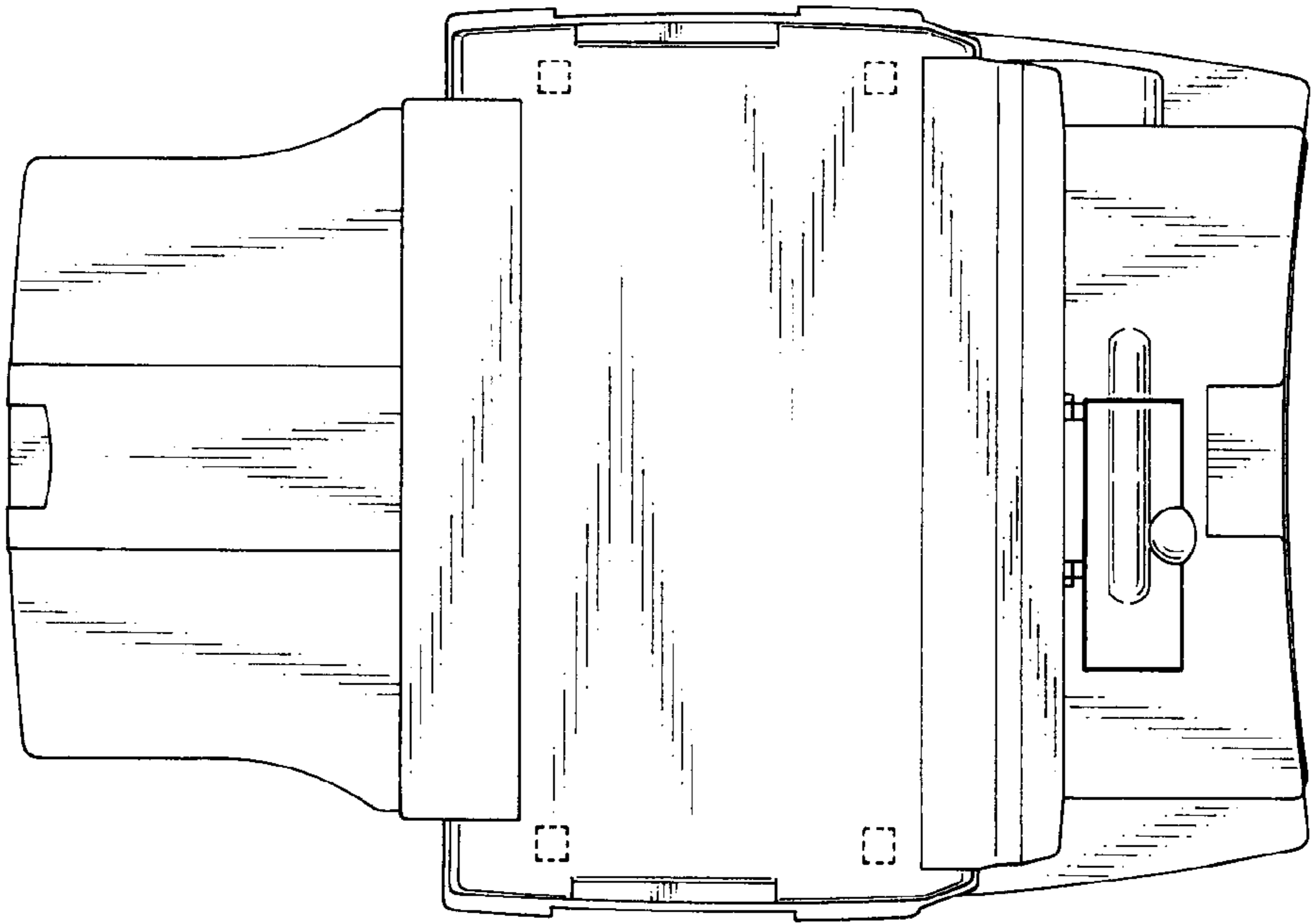


Fig. 8

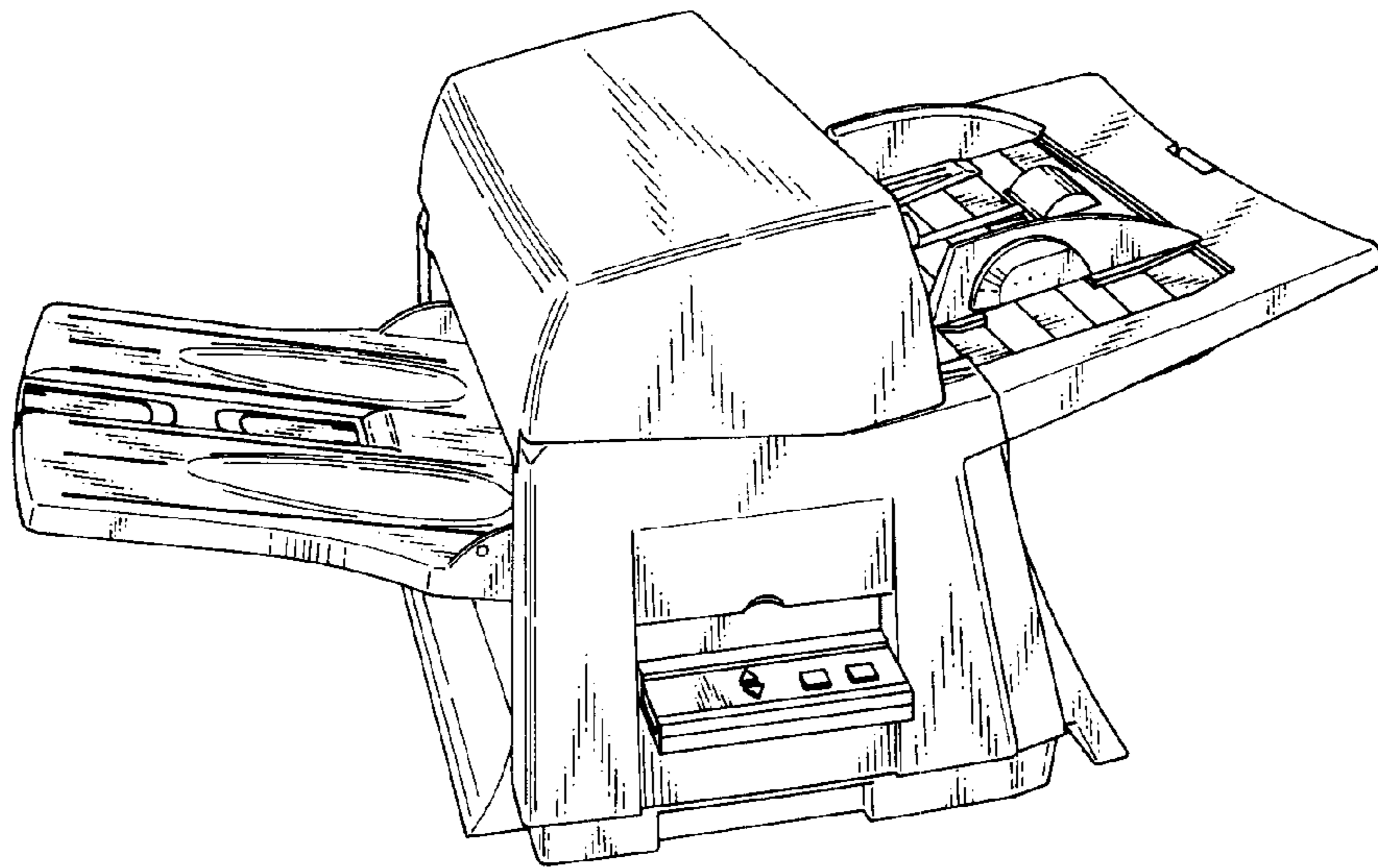
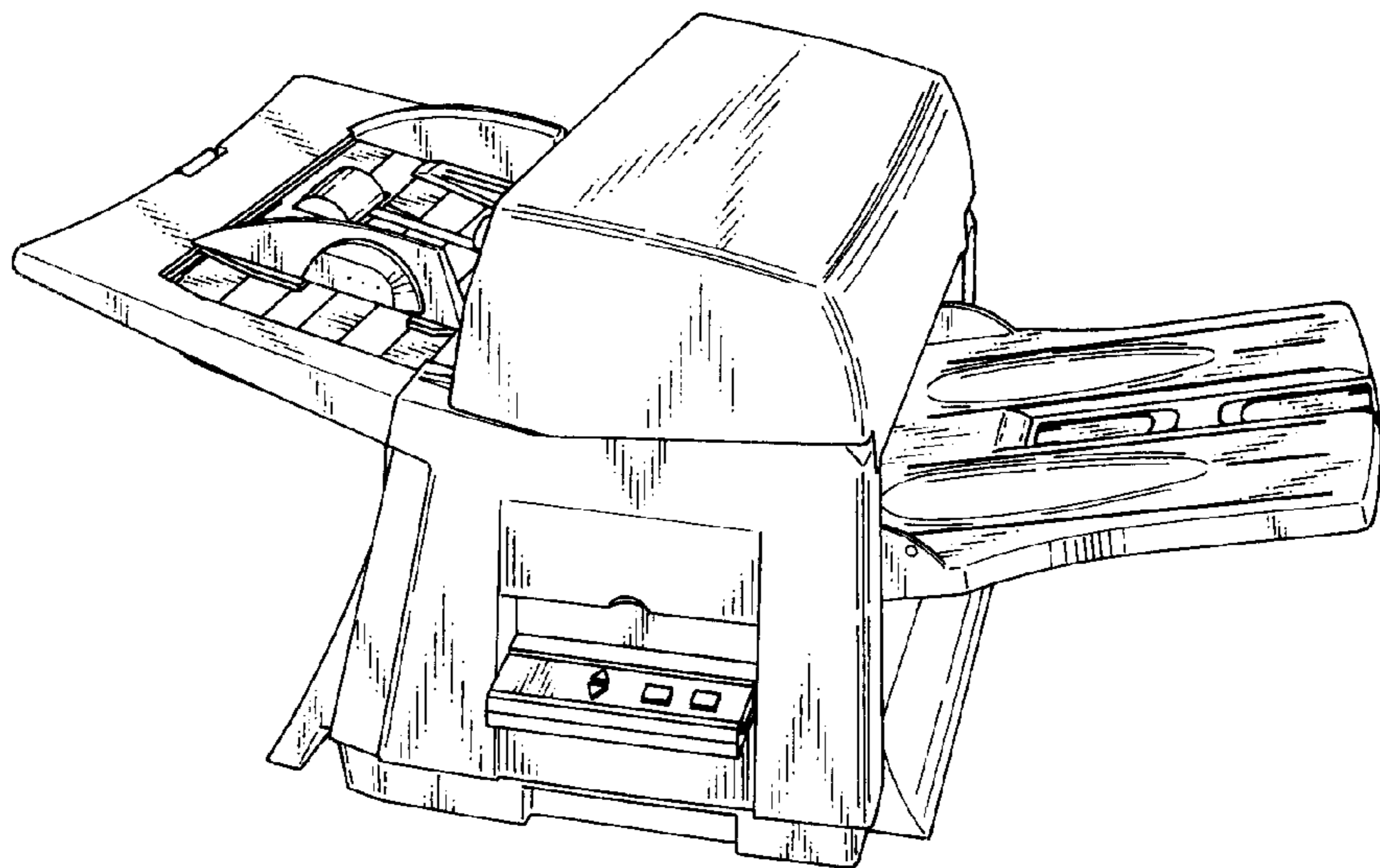


Fig. 9



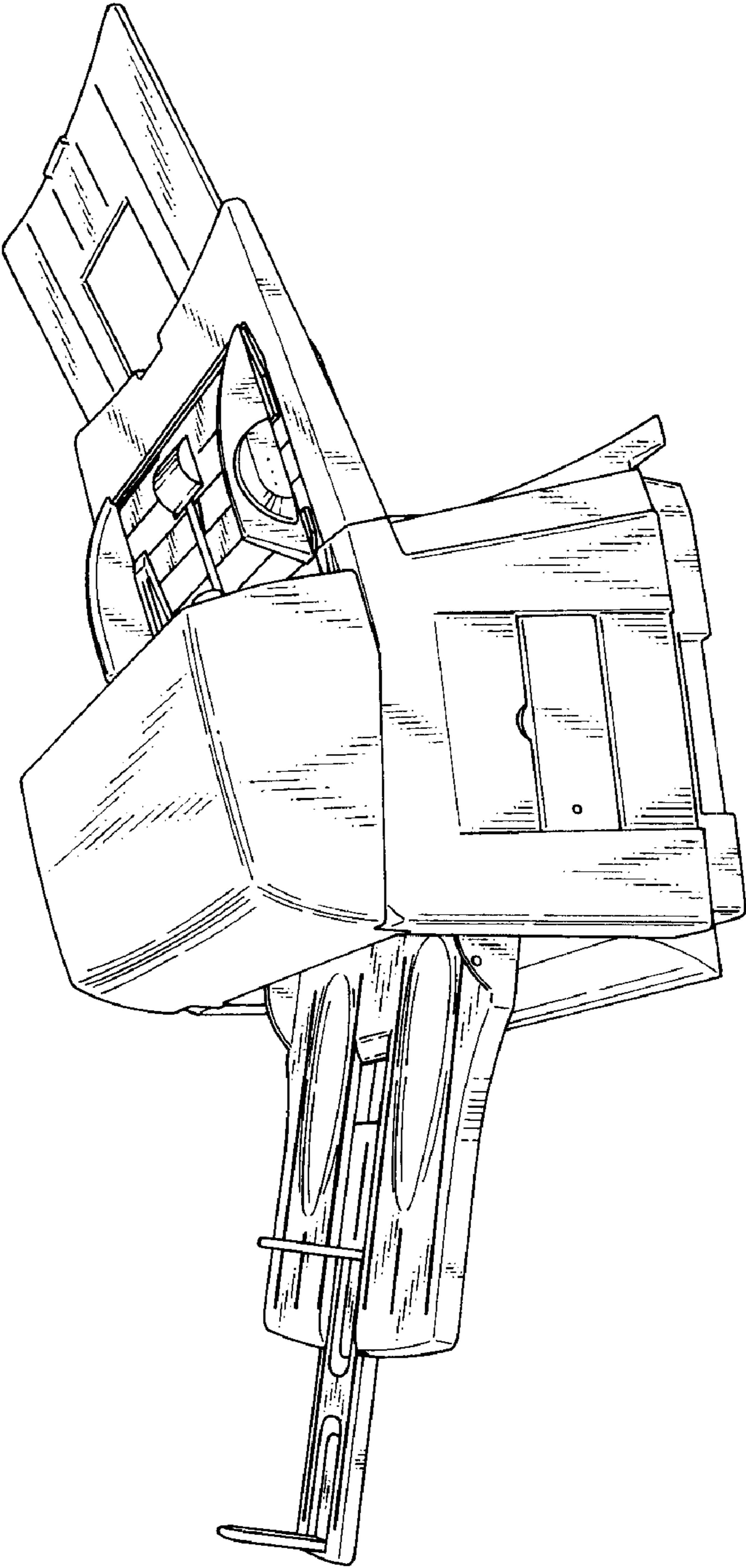


Fig. 10