



US00D514103S

(12) **United States Design Patent**
Huang et al.

(10) **Patent No.: US D514,103 S**
(45) **Date of Patent: ** Jan. 31, 2006**

(54) **MINI PORTABLE DISK DRIVE**

(75) Inventors: **Tzu-Ling Huang**, Taipei (TW);
Hsiao-Li Peng, Taipei (TW); **Li-Li Kao**, Taipei (TW); **Yu-Hsin Chuo**, Taipei (TW)

(73) Assignee: **Micro-Star Int'l Co., Ltd.**, Jung-He (TW)

(**) Term: **14 Years**

(21) Appl. No.: **29/198,283**

(22) Filed: **Jan. 29, 2004**

(51) **LOC (8) Cl.** **14-02**

(52) **U.S. Cl.** **D14/363**

(58) **Field of Classification Search** D14/365,
D14/363, 356, 348, 341, 432, 433, 434-35,
D14/439, 483; 361/625, 725, 683-86, 737,
361/732, 784, 803; 70/58, 30; 711/115; 439/165,
439/173, 31, 135, 140, 144; 429/185, 96;
708/142; 360/69, 98.02, 99.01; D13/184,
D13/199; 174/250, 255; 235/492, 441; 710/68,
710/61, 62, 74

See application file for complete search history.

(56) **References Cited**

U.S. PATENT DOCUMENTS

5,371,349 A * 12/1994 Kimura 235/492

D444,788 S * 7/2001 Do et al. D14/433
6,490,163 B1 * 12/2002 Pua et al. 361/737
2002/0083239 A1 * 6/2002 Lida et al. 710/74

* cited by examiner

Primary Examiner—Alan P. Douglas

Assistant Examiner—Susan Moon Lee

(74) *Attorney, Agent, or Firm*—Birch, Stewart, Kolasch & Birch, LLP

(57) **CLAIM**

The ornamental design for a mini portable disk drive, as shown and described.

DESCRIPTION

FIG. 1 is a perspective view of a mini portable disk drive showing our new design;

FIG. 2 is right side elevational view thereof;

FIG. 3 is a top view thereof;

FIG. 4 is front view thereof;

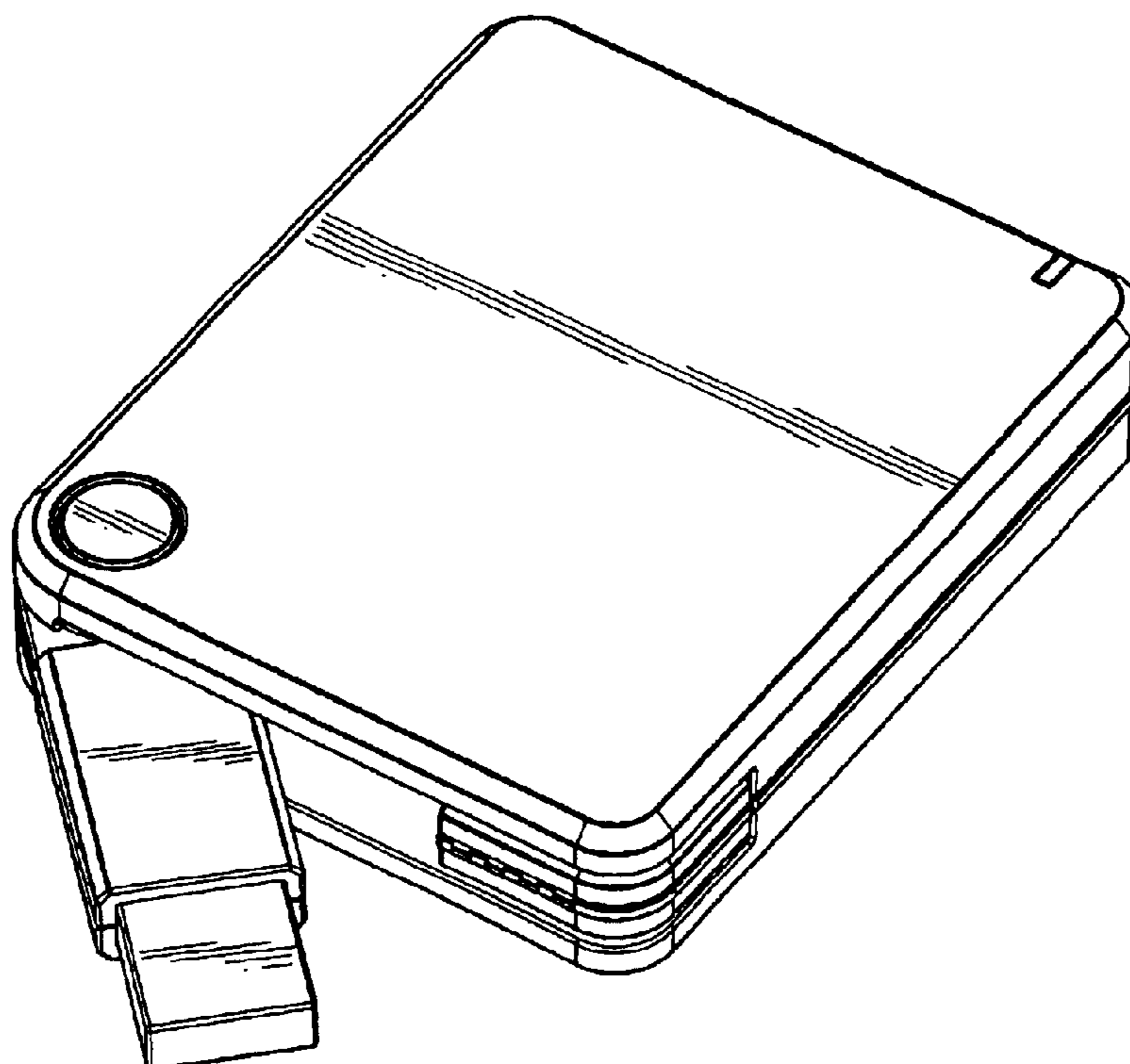
FIG. 5 is a bottom view thereof;

FIG. 6 is a left side elevational view thereof; and

FIG. 7 is a rear view thereof; and,

FIG. 8 is a perspective view when mini portable disk drive is in use.

1 Claim, 5 Drawing Sheets



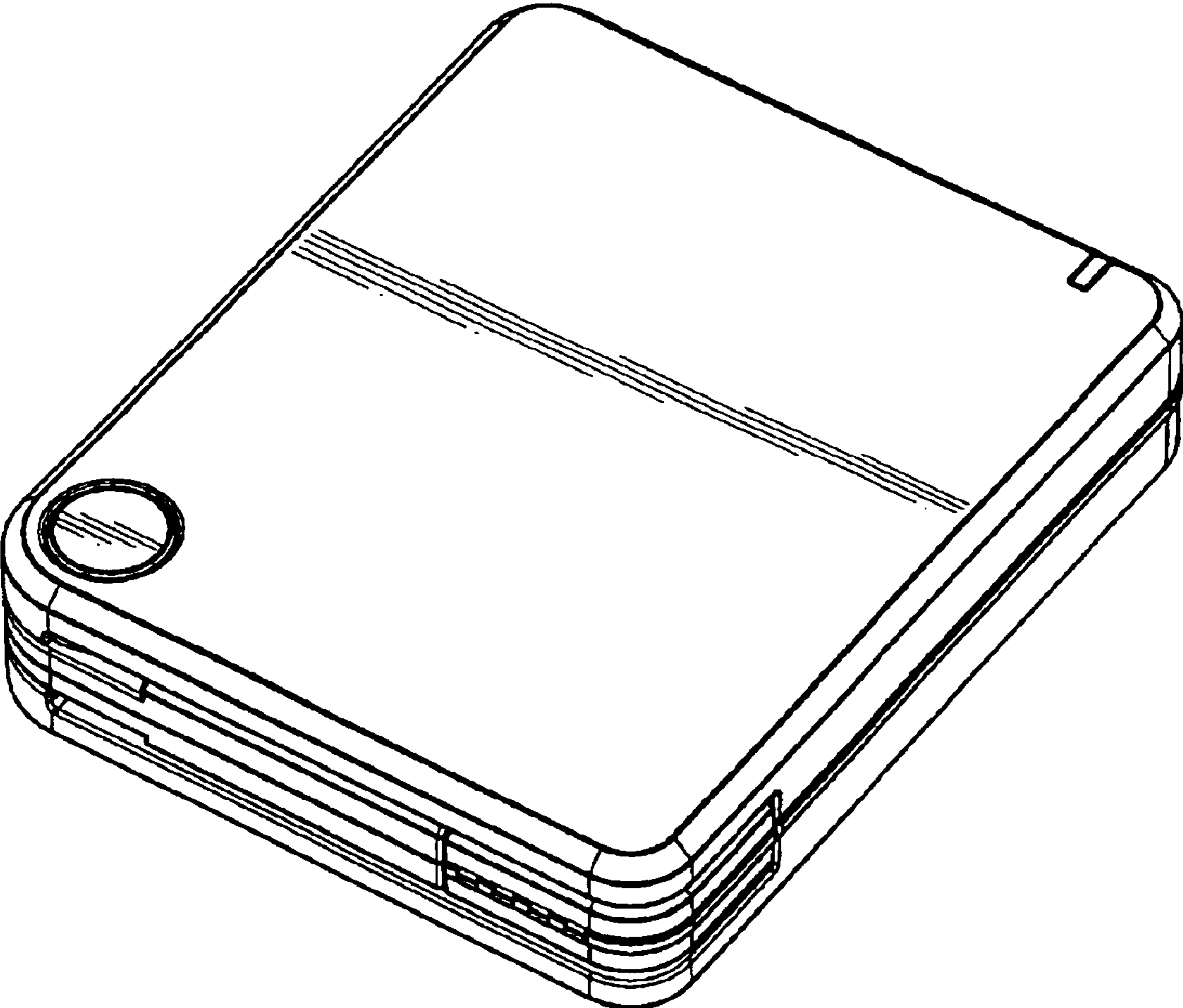


FIG. 1

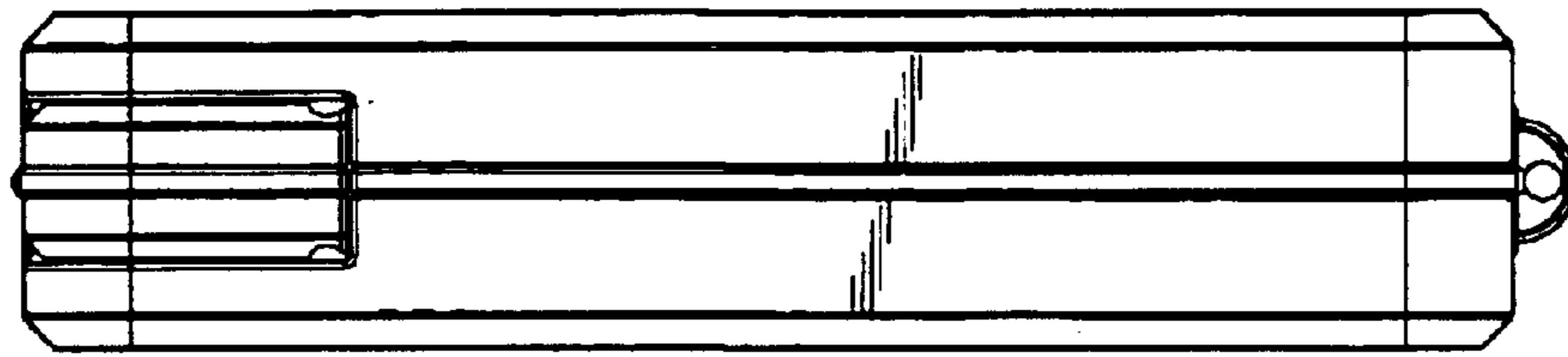


FIG. 2

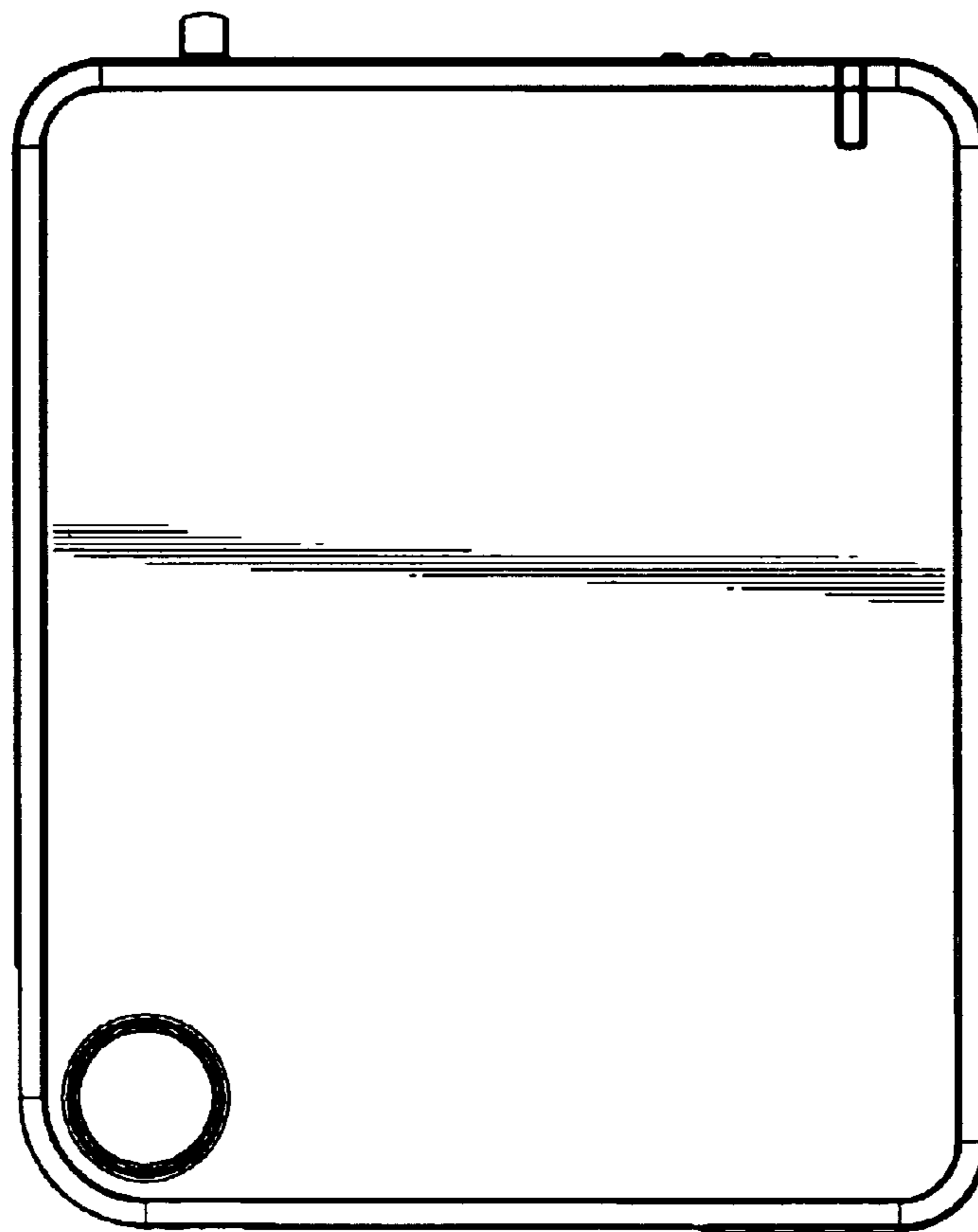


FIG. 3

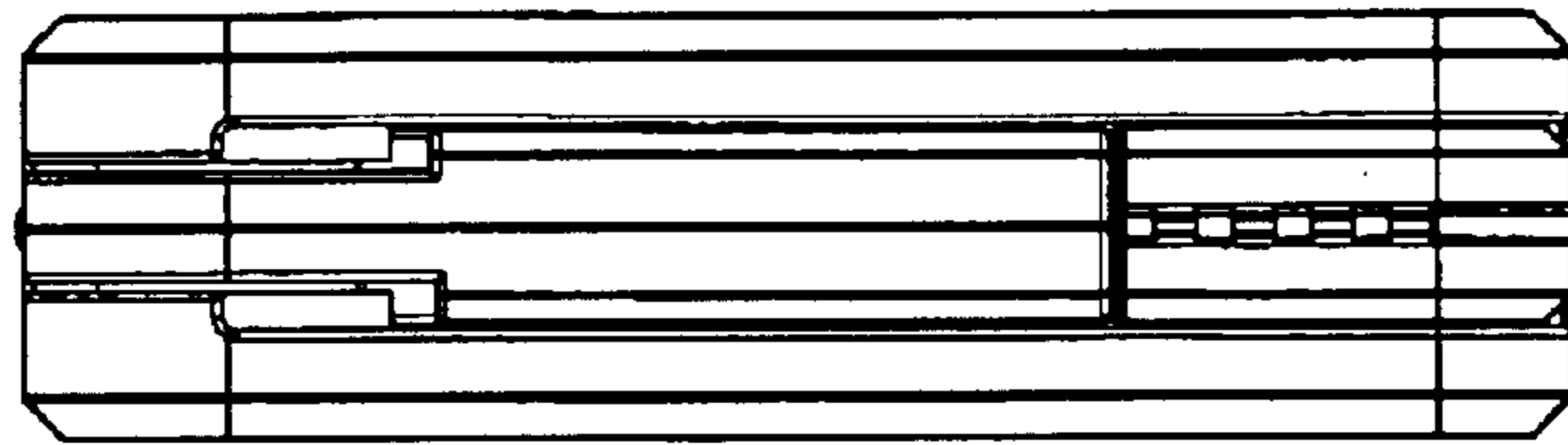


FIG. 4

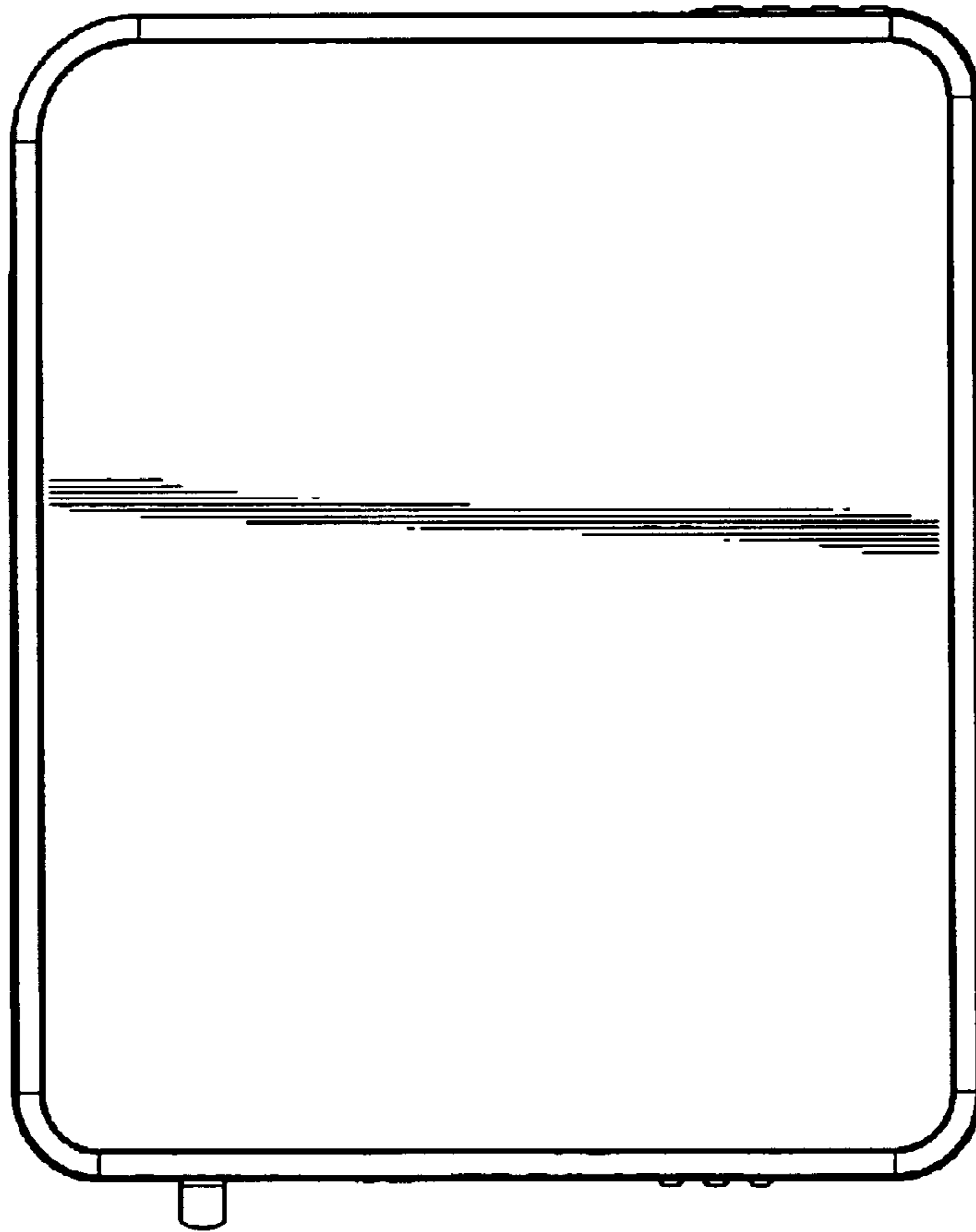


FIG. 5

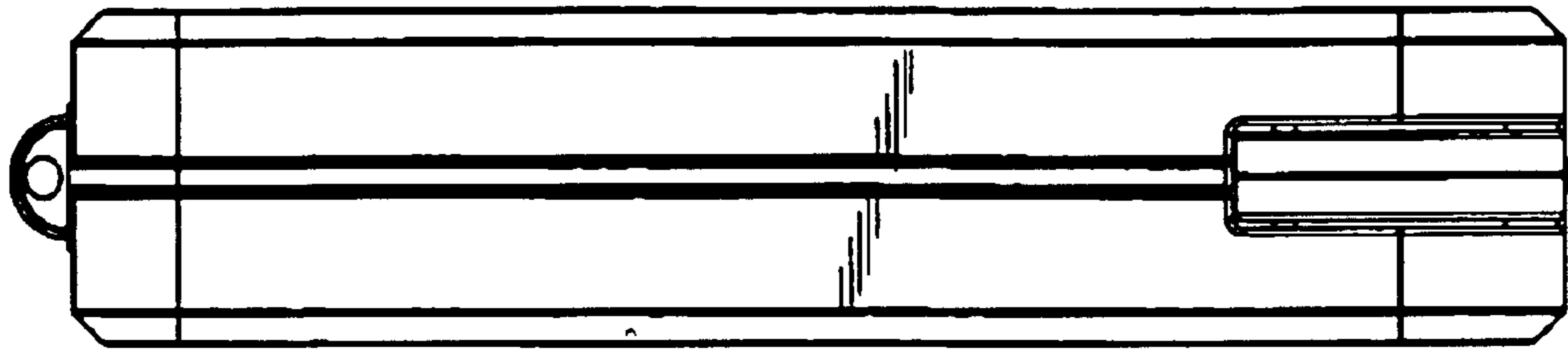


FIG. 6

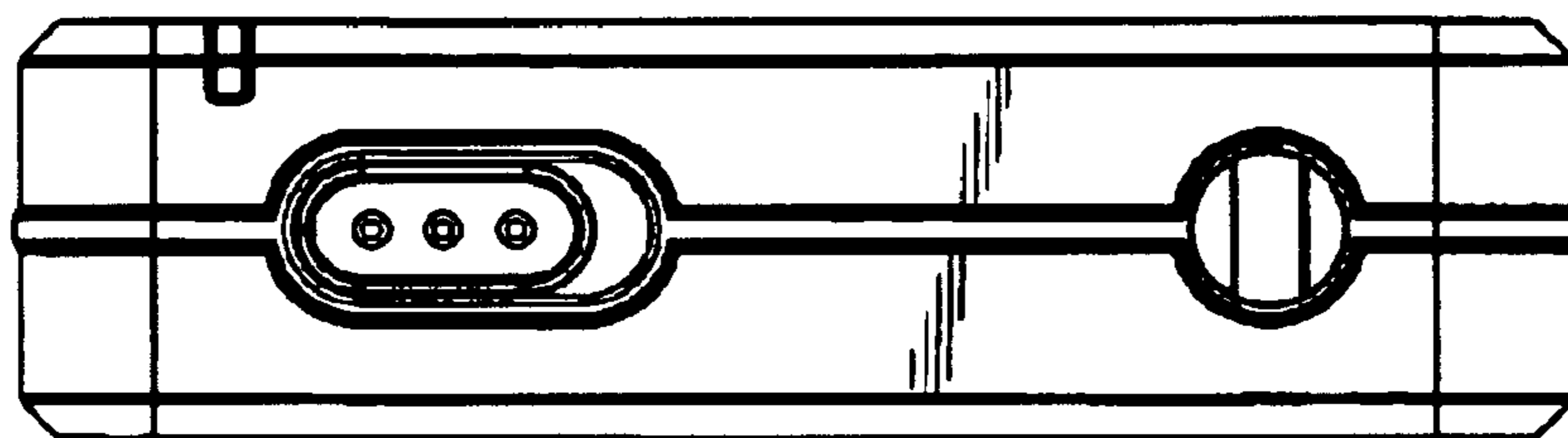


FIG. 7

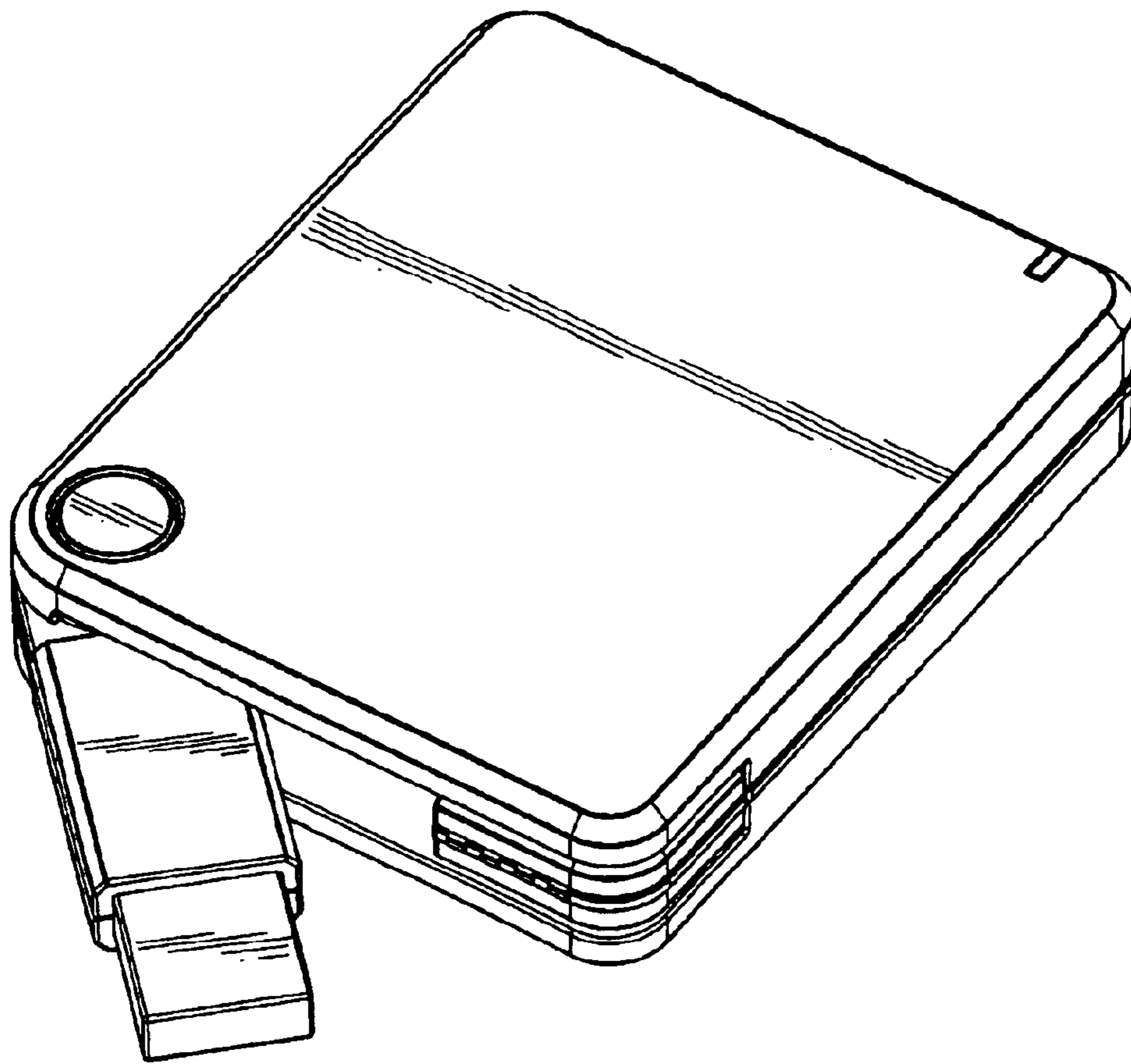


FIG. 8