



US00D514102S

(12) **United States Design Patent**
Cox et al.

(10) **Patent No.: US D514,102 S**
(45) **Date of Patent: ** Jan. 31, 2006**

(54) **MODULAR STORAGE SYSTEM**
(75) Inventors: **Aaron Roger Cox**, Tucson, AZ (US);
Ronald Alan Smith, Wake Forest, NC
(US); **Robert Edward Steinbugler**,
Raleigh, NC (US); **Winfried Wolfgang**
Wilcke, Los Altos Hills, CA (US)

(73) Assignee: **International Business Machines**
Corporation, Armonk, NY (US)

(**) Term: **14 Years**

(21) Appl. No.: **29/192,062**

(22) Filed: **Oct. 17, 2003**

(51) **LOC (8) Cl.** **14-02**

(52) **U.S. Cl.** **D14/356; 361/735**

(58) **Field of Classification Search** D14/356,
D14/300, 313, 358, 432, 434-35, 438, 439;
361/683, 724, 729, 730, 732, 733, 735; 273/153,
273/157; 446/120, 118, 124

See application file for complete search history.

(56) **References Cited**

U.S. PATENT DOCUMENTS

- 3,005,131 A * 10/1961 Melcher et al. 361/735
- 3,065,970 A * 11/1962 Besley 273/160
- 3,139,559 A * 6/1964 Heidler 361/730
- 3,178,332 A * 4/1965 De La Rive Box 273/15
- 3,222,072 A * 12/1965 Dreyer 273/157 R
- 3,554,384 A * 1/1971 DeNatale 211/194
- 4,378,116 A * 3/1983 Rubik 273/153 S
- 4,423,465 A * 12/1983 Teng-Ching et al. 361/730
- D273,688 S * 5/1984 Rocco D21/389
- 4,511,144 A * 4/1985 Roberts 273/153 S
- 4,907,126 A * 3/1990 Hendel 361/730

- 5,000,713 A * 3/1991 Cheng 446/120
- 5,069,647 A * 12/1991 Zuviria 446/127
- 5,152,530 A * 10/1992 Dodek, II 273/156
- 5,170,482 A * 12/1992 Shu et al. 712/12
- 5,310,183 A * 5/1994 Glikmann 273/153 S
- 5,393,063 A * 2/1995 Ichimaru 273/160
- 5,564,703 A * 10/1996 McGuire 273/160
- 5,691,885 A * 11/1997 Ward et al. 361/735
- 5,728,972 A * 3/1998 Hsu 174/52.1
- D412,541 S * 8/1999 Tam D21/478
- D422,036 S * 3/2000 Laserna Fernandez D21/499
- 6,157,533 A * 12/2000 Sallam et al. 361/683
- 6,460,850 B1 * 10/2002 Dodek, II 273/156
- 2001/0033056 A1 * 10/2001 Francis 273/153 R
- 2002/0044426 A1 * 4/2002 Tokuhara 361/724

* cited by examiner

Primary Examiner—Stella Reid

Assistant Examiner—Susan Moon Lee

(74) *Attorney, Agent, or Firm*—Randall J. Bluestone

(57) **CLAIM**

The ornamental design for a modular storage system, as shown and described.

DESCRIPTION

FIG. 1 is a perspective view of the modular storage system, showing our new design;

FIG. 2 is a perspective view of the modular storage system with units removed;

FIG. 3 is a front elevational view thereof;

FIG. 4 is a right side elevational view thereof;

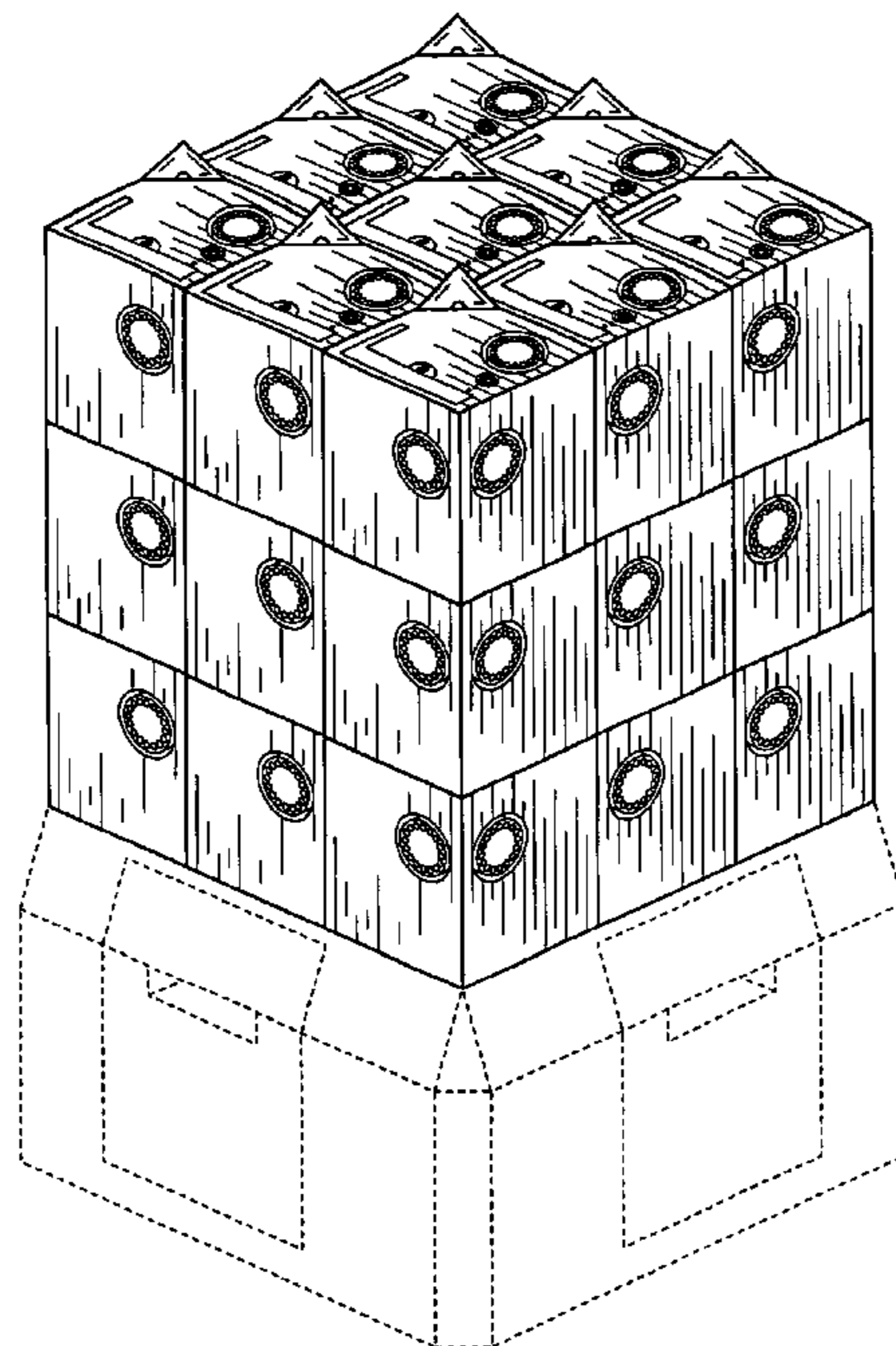
FIG. 5 is a left side elevational view thereof;

FIG. 6 is a top plan view thereof;

FIG. 7 is a bottom plan view thereof; and,

FIG. 8 is a rear elevational view thereof.

1 Claim, 7 Drawing Sheets



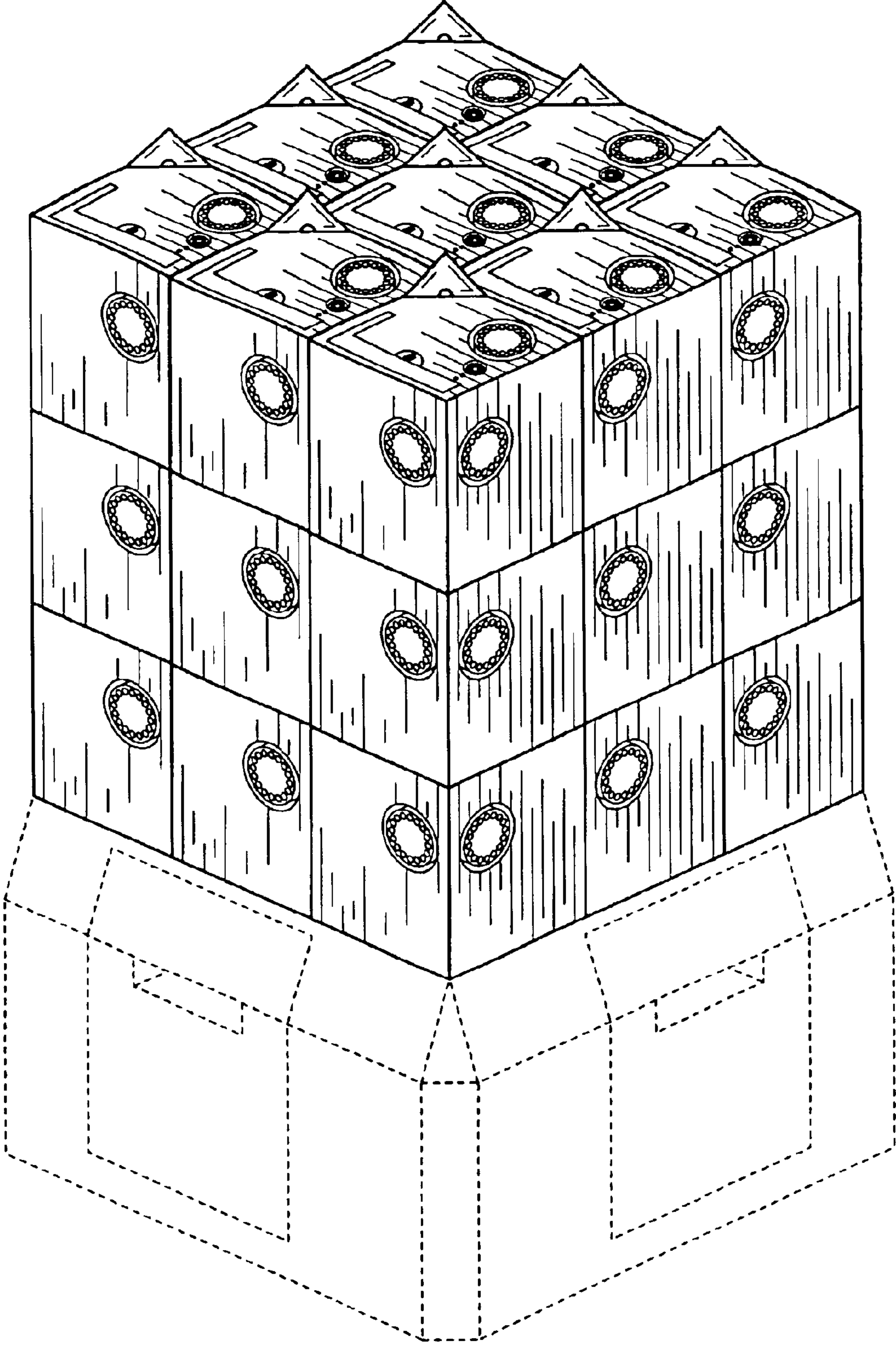


FIG. 1

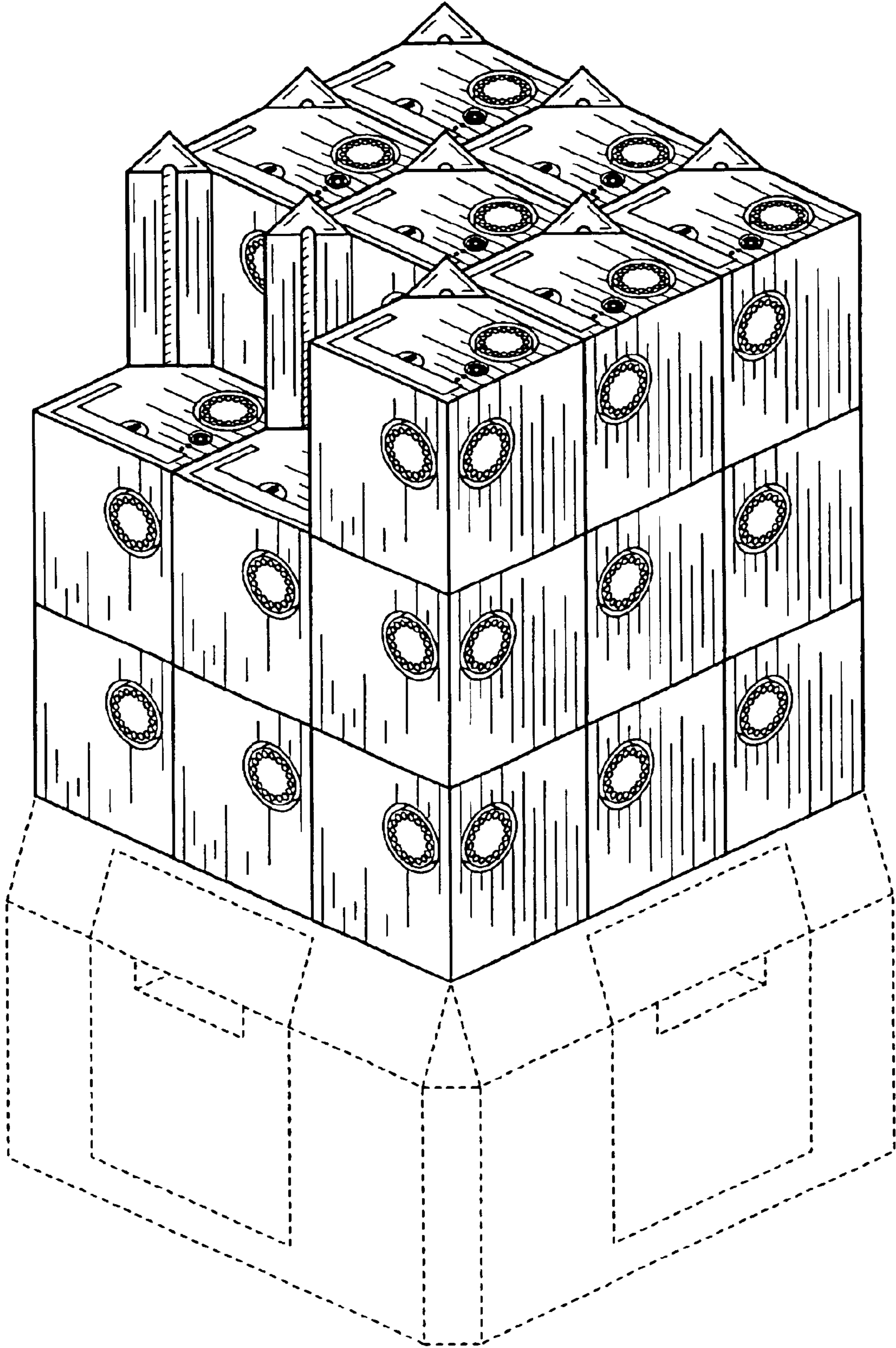


FIG. 2

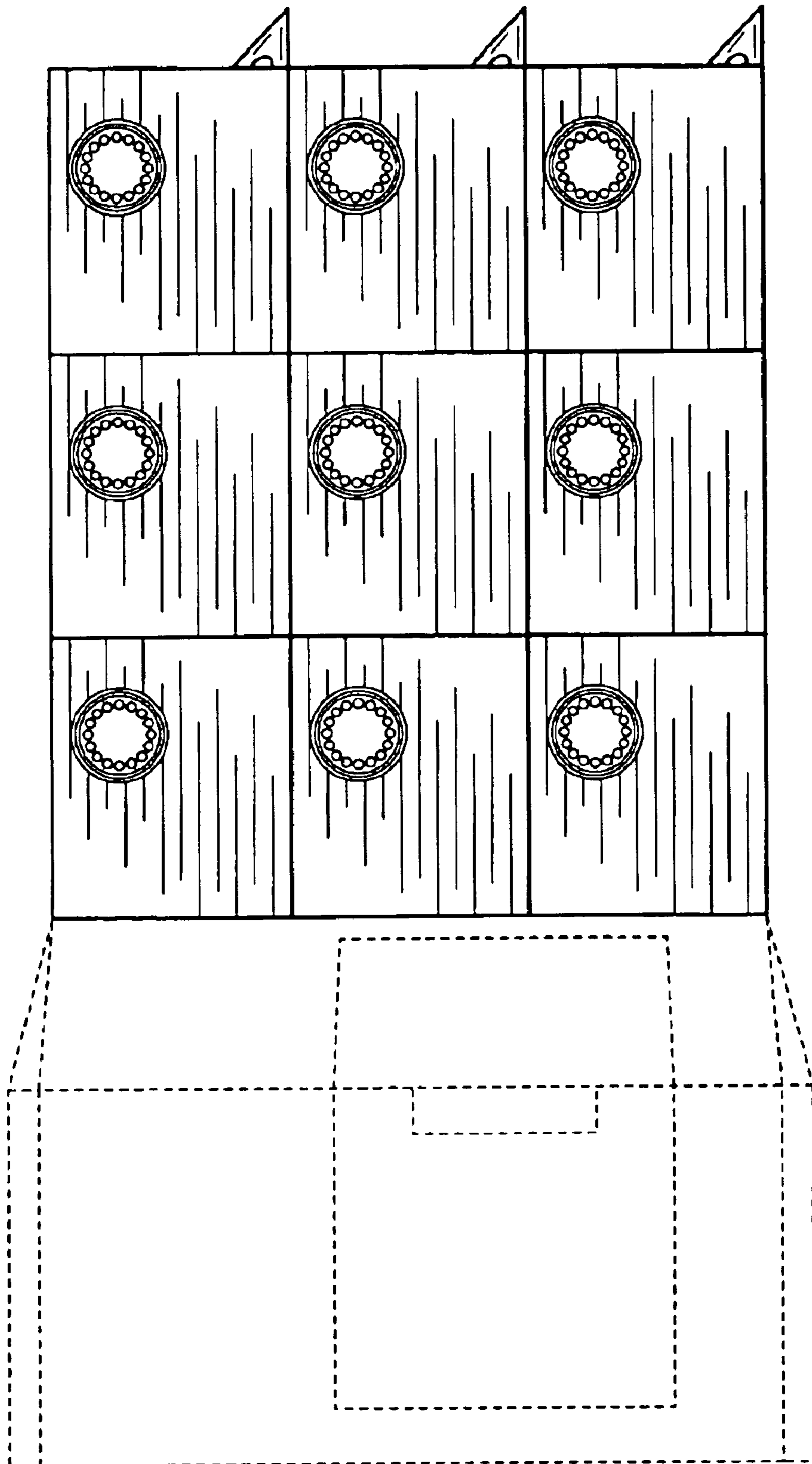


FIG. 3

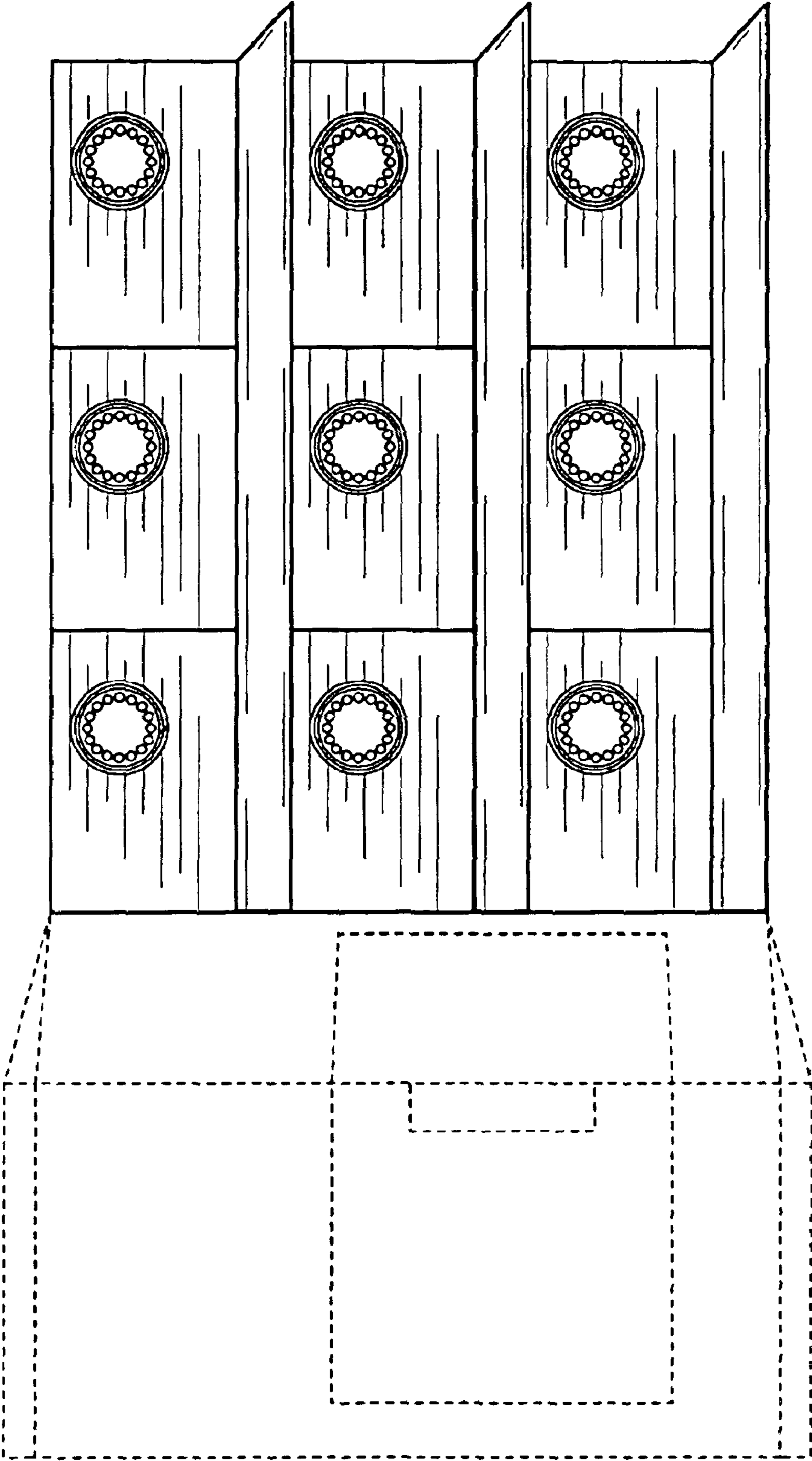


FIG. 4

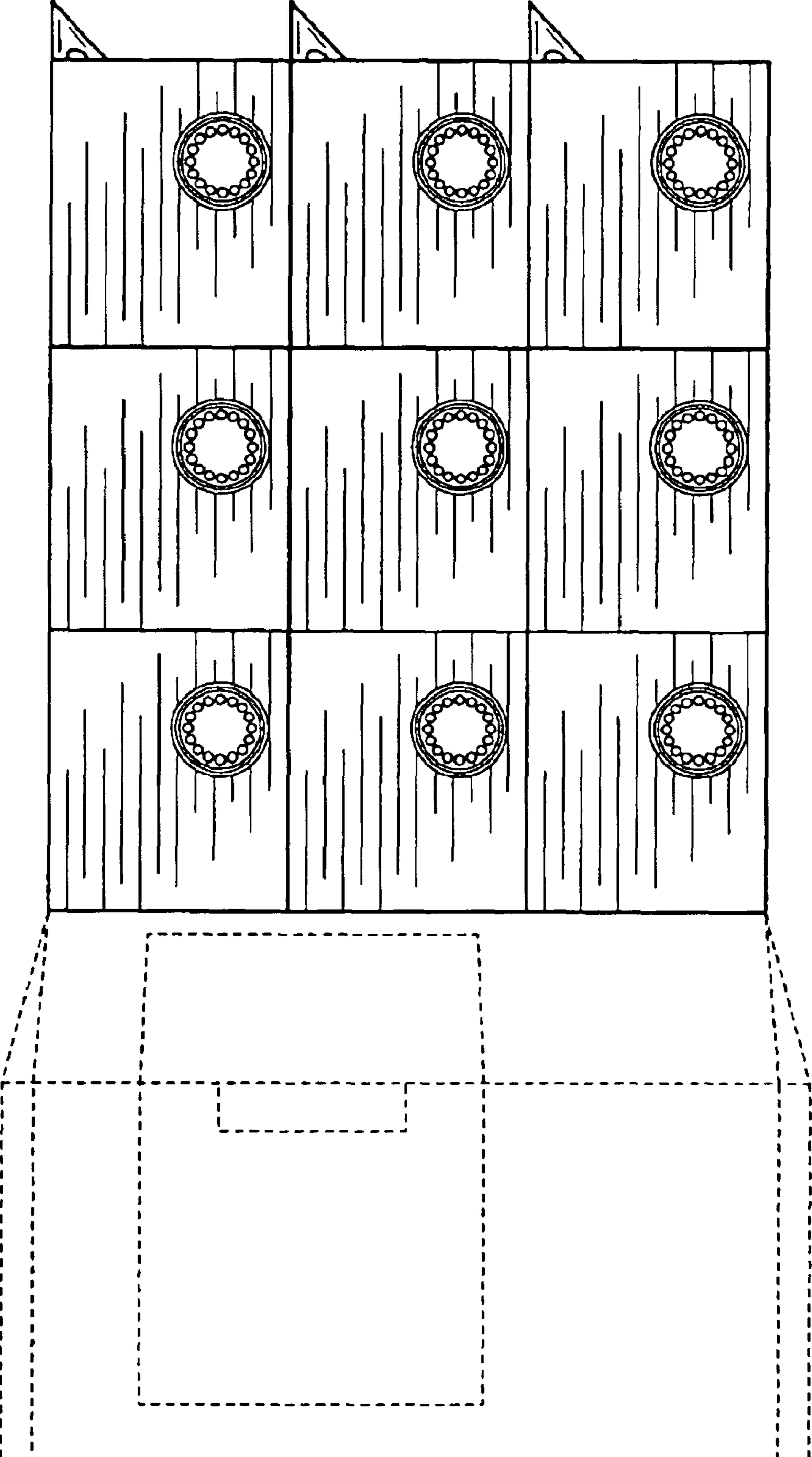


FIG. 5

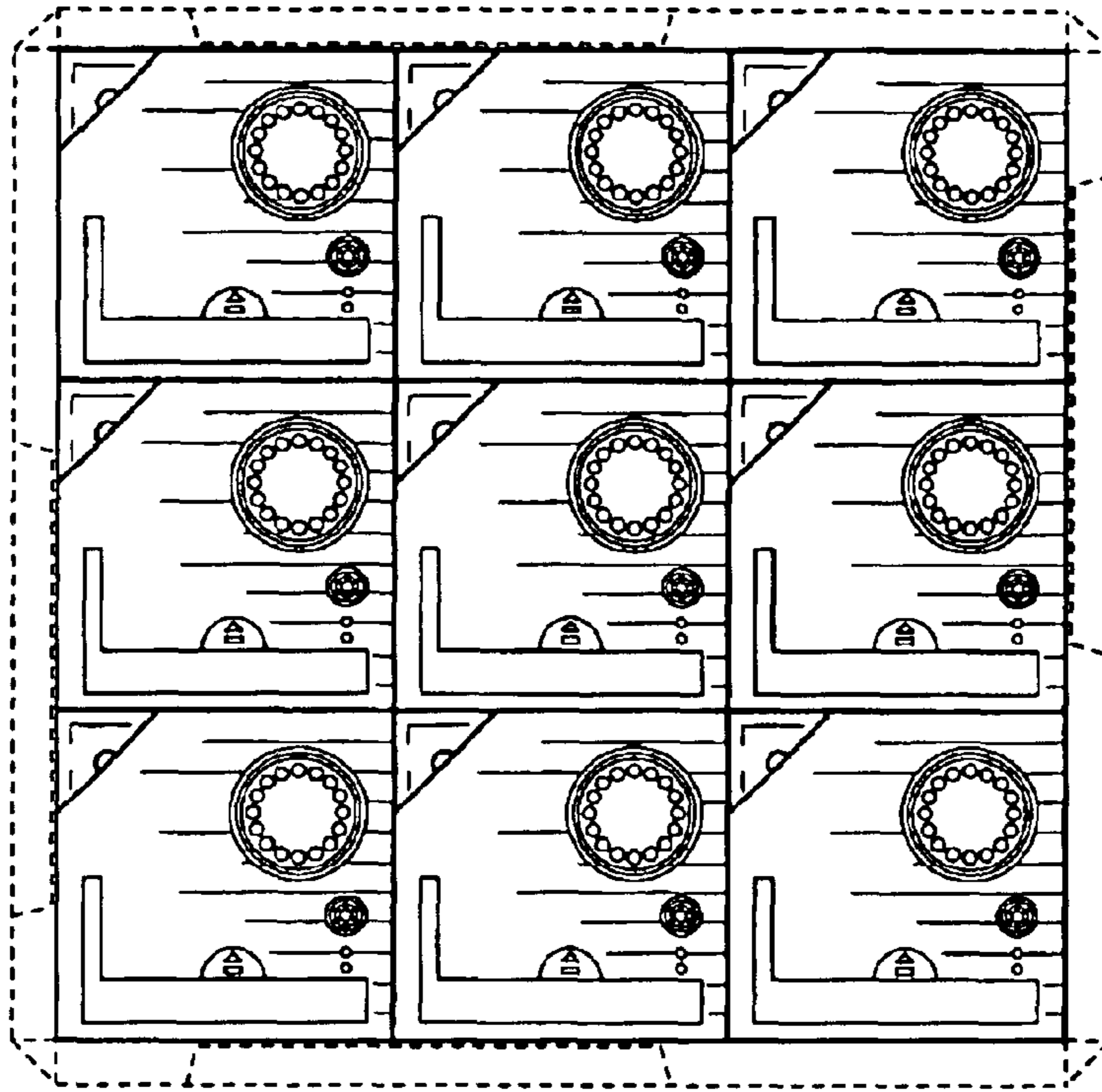


FIG. 6

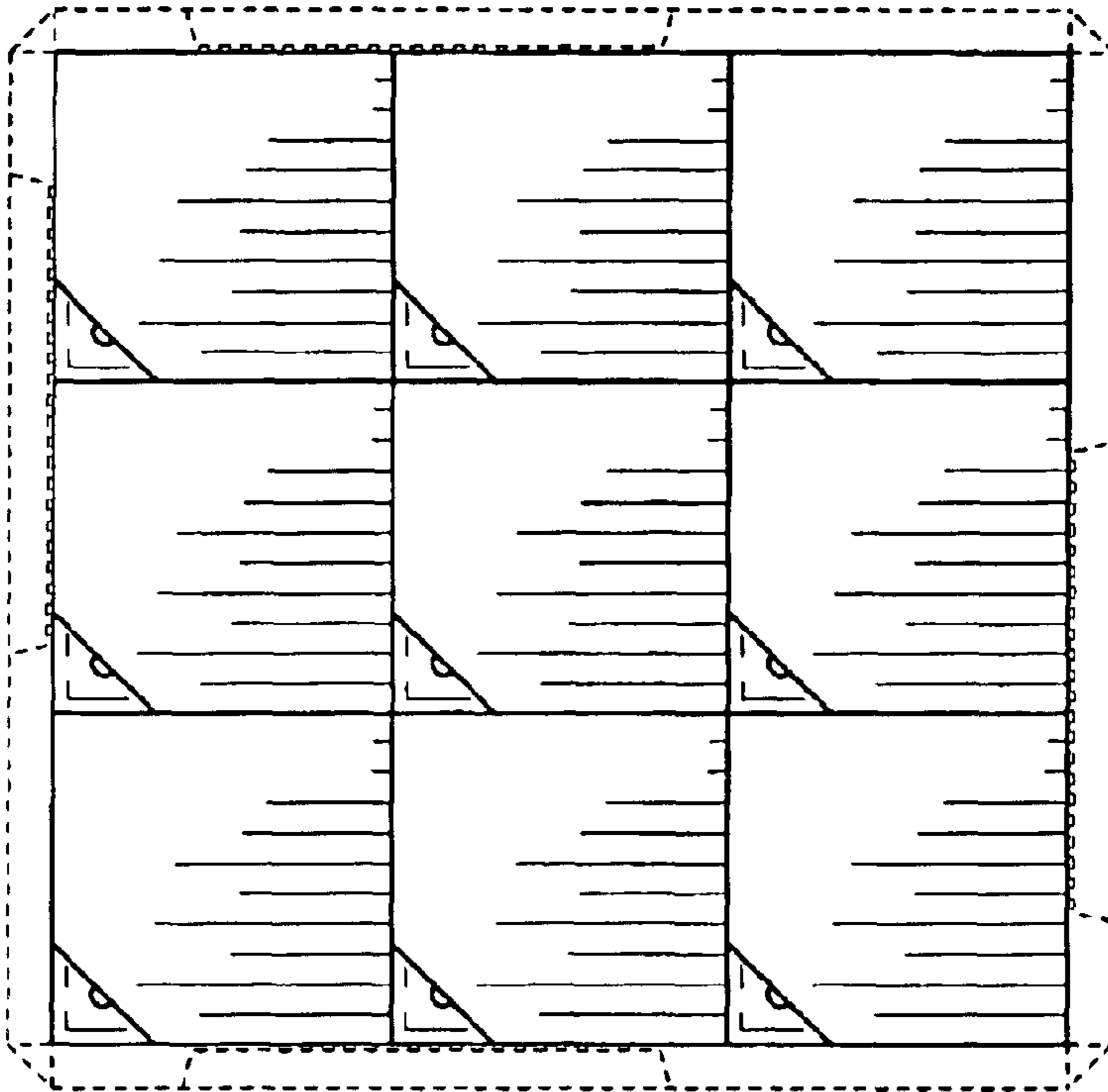


FIG. 7

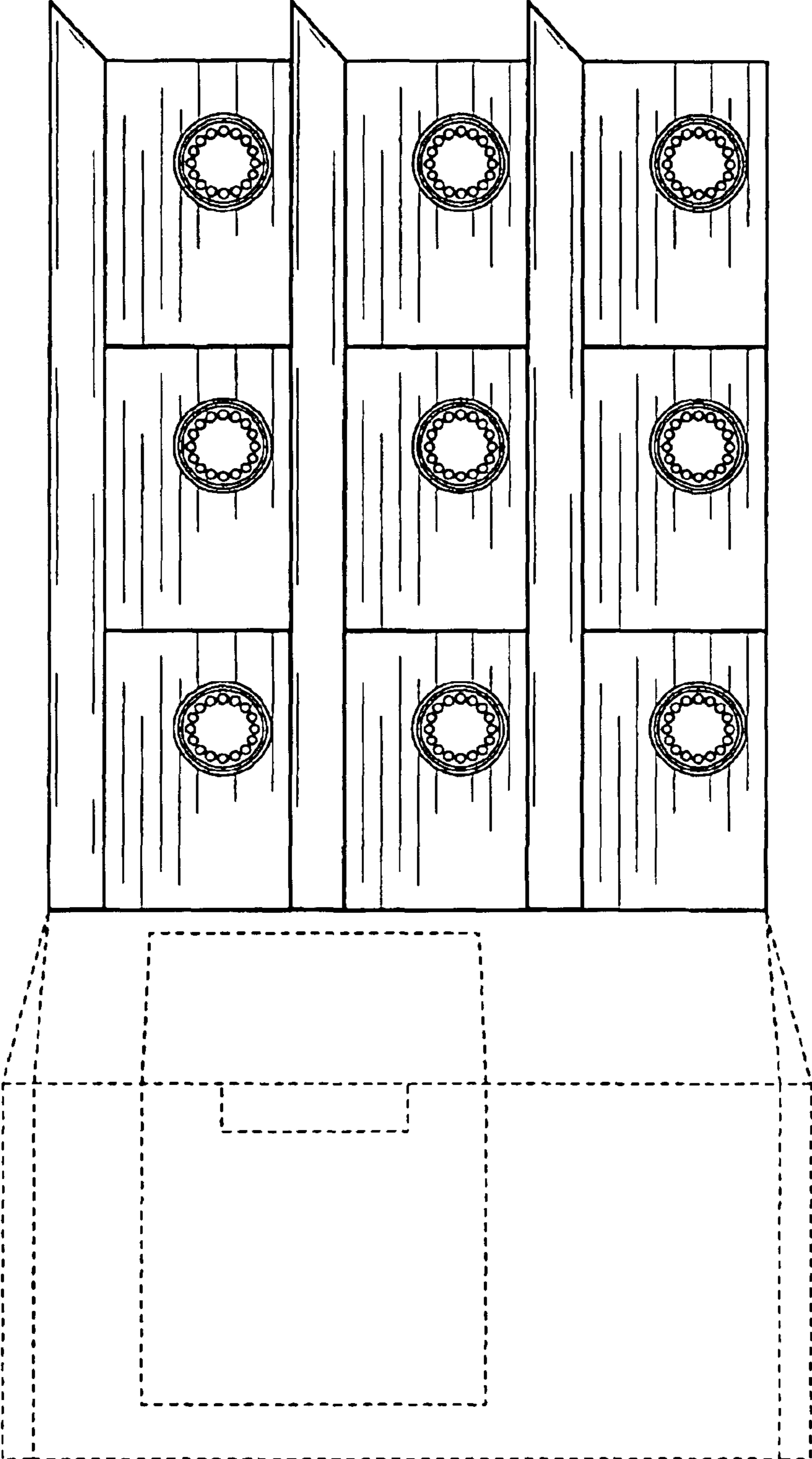


FIG. 8