



US00D514097S

(12) **United States Design Patent**
De Leon

(10) **Patent No.:** **US D514,097 S**
(45) **Date of Patent:** **** Jan. 31, 2006**

(54) **COMMUNICATIONS EQUIPMENT**

(75) **Inventor:** **Rodolfo De Leon, Malmö (SE)**

(73) **Assignee:** **Sony Ericsson Mobile
Communications AB, Lund (SE)**

(**) **Term:** **14 Years**

(21) **Appl. No.:** **29/211,622**

(22) **Filed:** **Aug. 19, 2004**

(30) **Foreign Application Priority Data**

Feb. 20, 2004 (EM) 135231

(51) **LOC (8) Cl.** **14-03**

(52) **U.S. Cl.** **D14/240; D14/191**

(58) **Field of Classification Search** D14/240-244,
D14/217, 218, 299, 241-256, 191; 455/151.1-151.4,
455/152.1, 352-355; D13/168, 184
See application file for complete search history.

(56) **References Cited**

U.S. PATENT DOCUMENTS

D178,076 S * 6/1956 Meserow D14/191
D379,814 S * 6/1997 Biasotti et al. D14/191

D394,859 S * 6/1998 Nishii et al. D14/191
D401,238 S * 11/1998 Shiono D14/191
D405,084 S * 2/1999 Scalisi et al. D14/191
D427,582 S * 7/2000 Hampf et al. D14/191
D490,799 S * 6/2004 Gubbels et al. D14/191
D496,024 S * 9/2004 Gubbels et al. D14/191

* cited by examiner

Primary Examiner—Charles A. Rademaker

(74) *Attorney, Agent, or Firm*—Albihns Stockholm AB

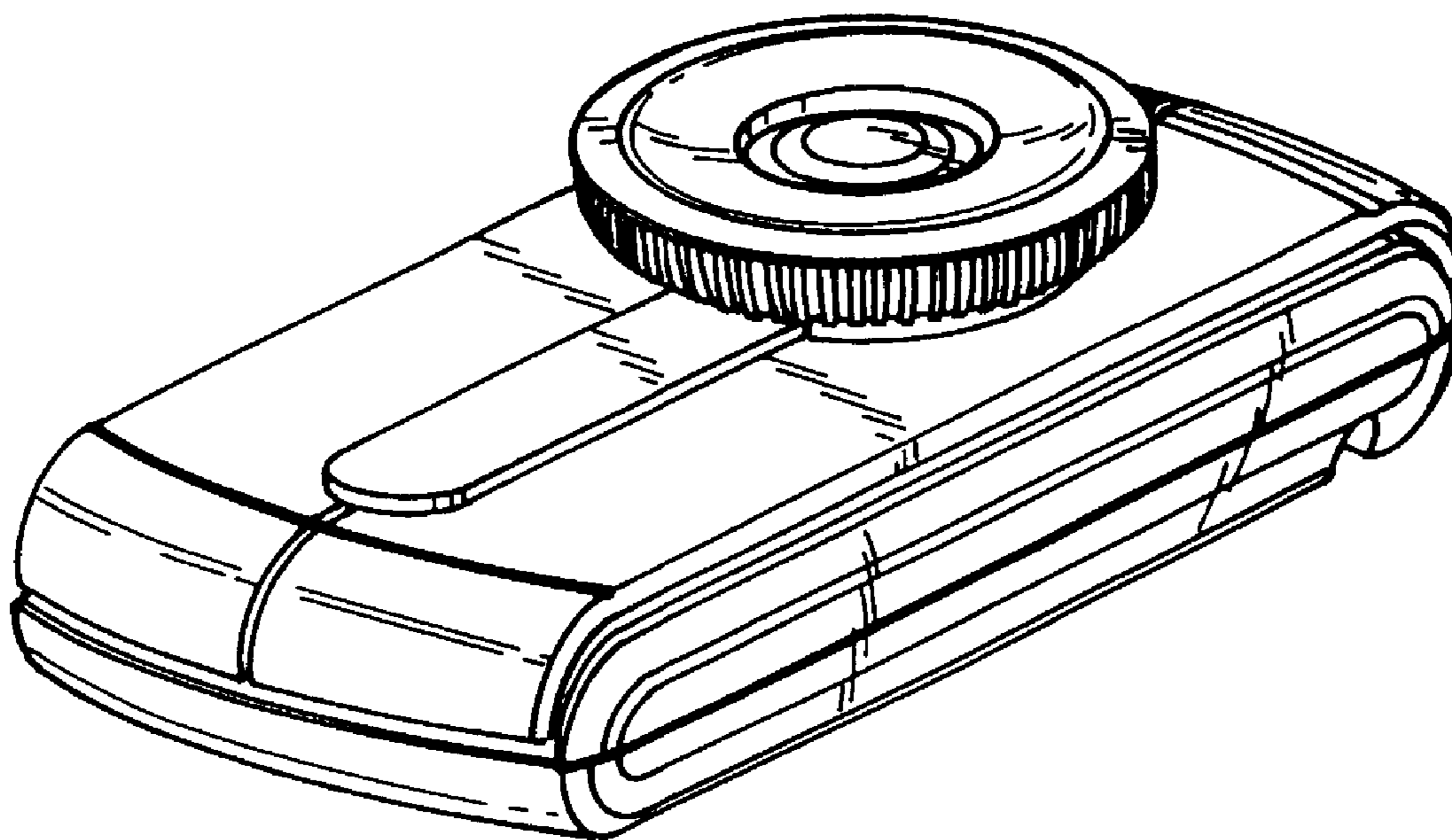
(57) **CLAIM**

The ornamental design for a communications equipment, as shown.

DESCRIPTION

FIG. 1 is a front right perspective view of a communications equipment according to my new design;
FIG. 2 is a front view thereof;
FIG. 3 is a right side view thereof;
FIG. 4 is a left side view thereof;
FIG. 5 is a rear view thereof;
FIG. 6 is a bottom plan view thereof; and,
FIG. 7 is a top plan view thereof.

1 Claim, 1 Drawing Sheet



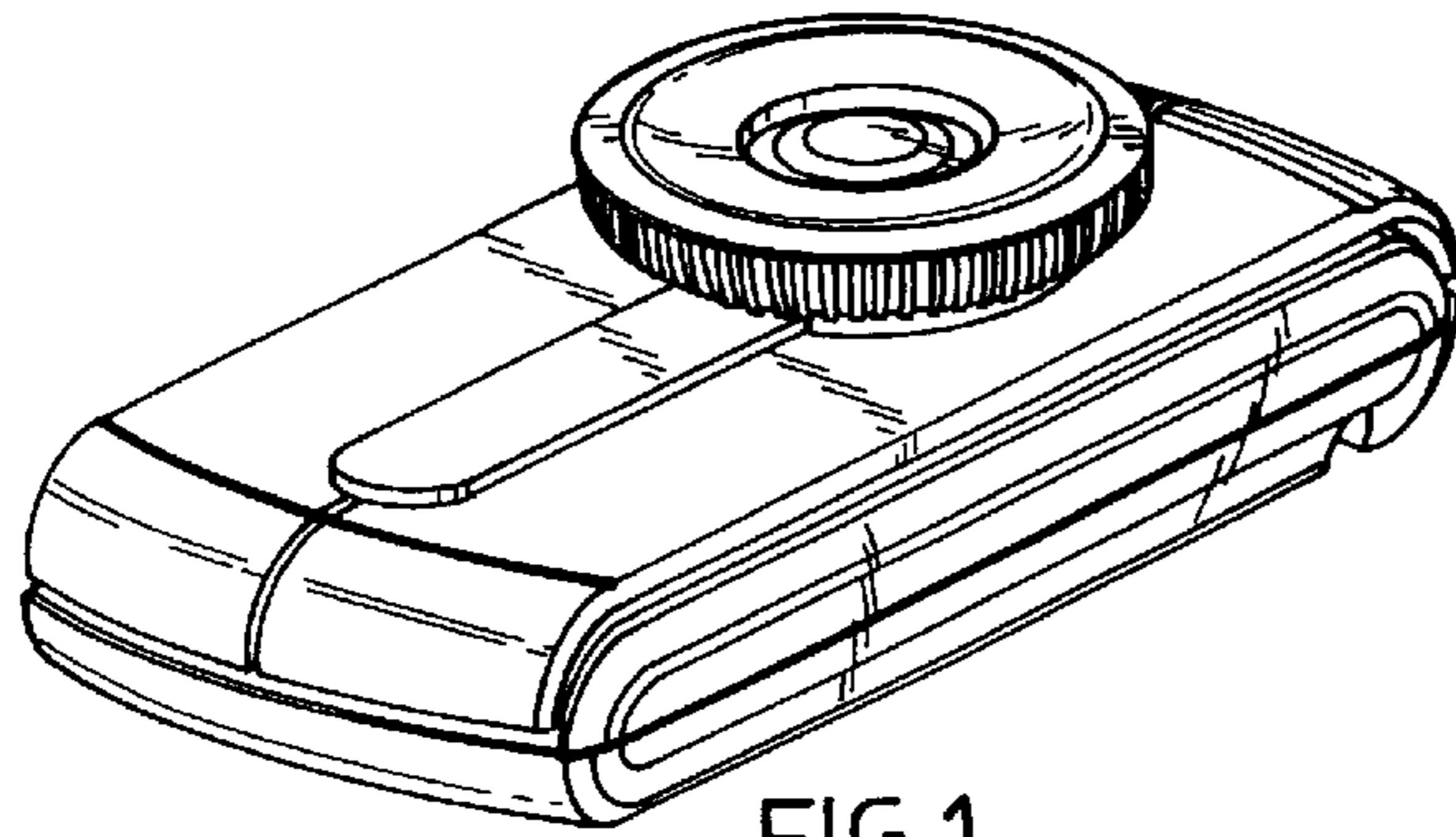


FIG. 1

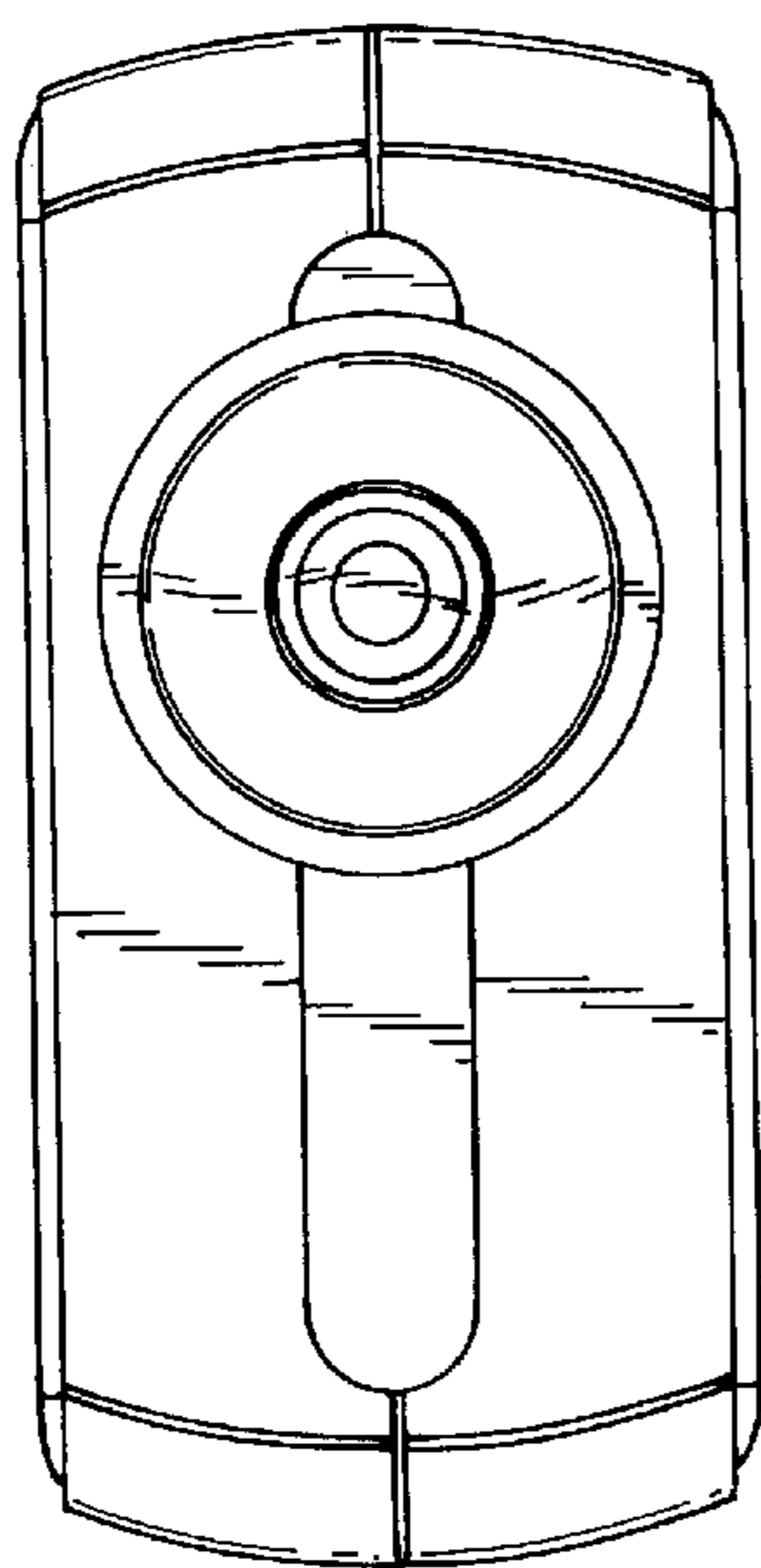


FIG. 2

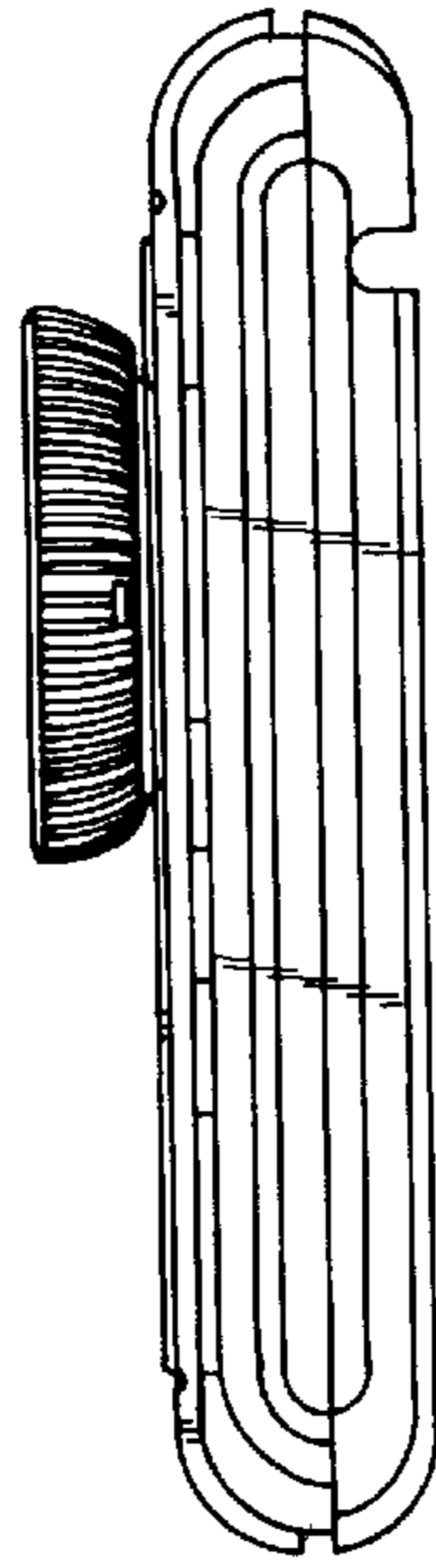


FIG. 3

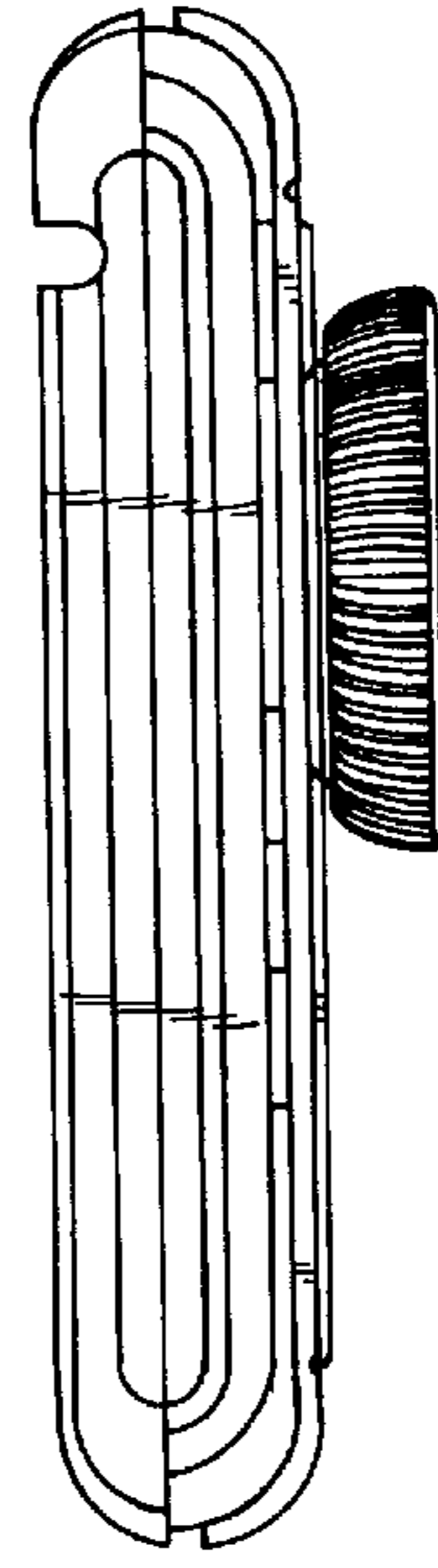


FIG. 4

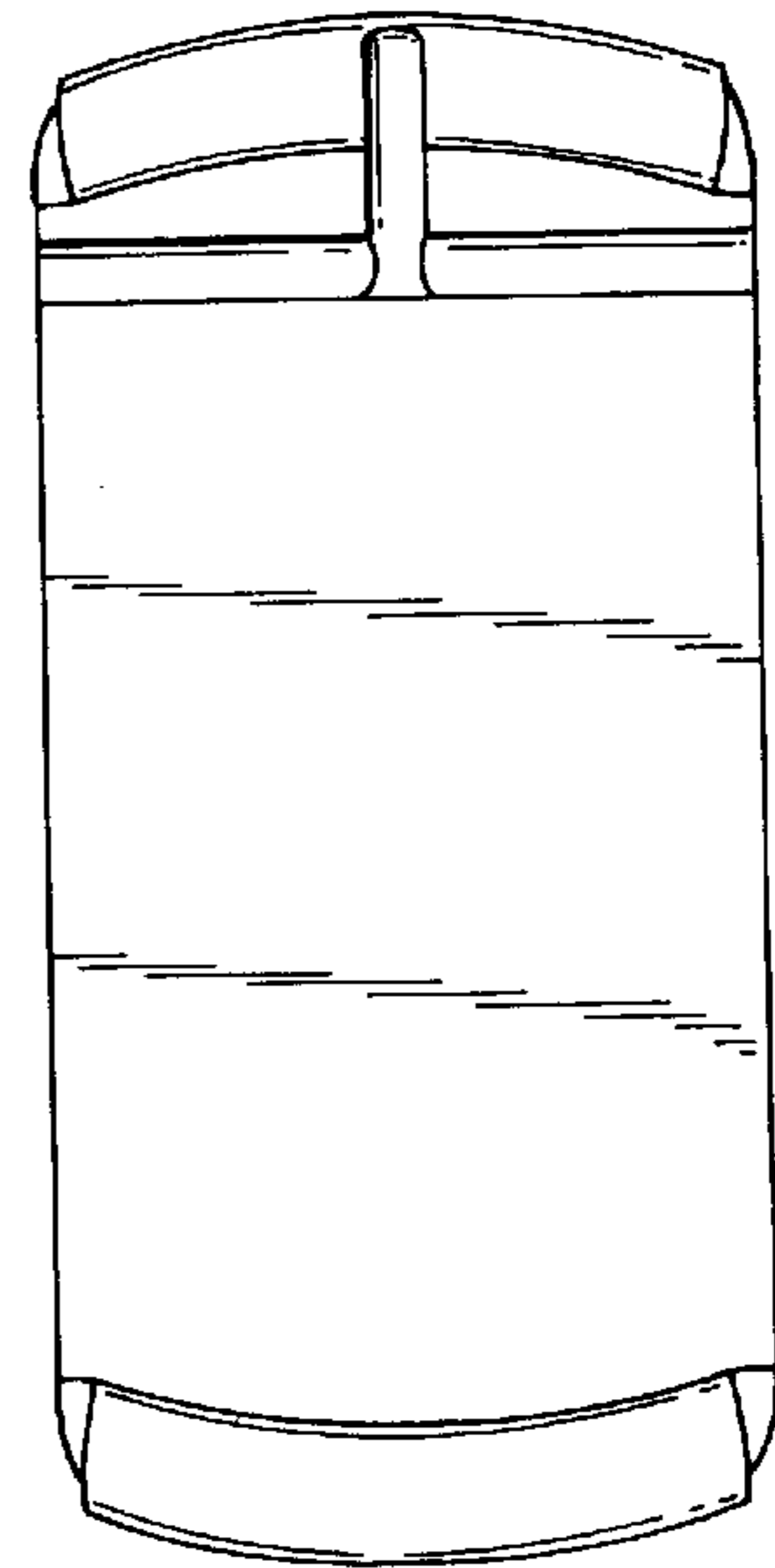


FIG. 5

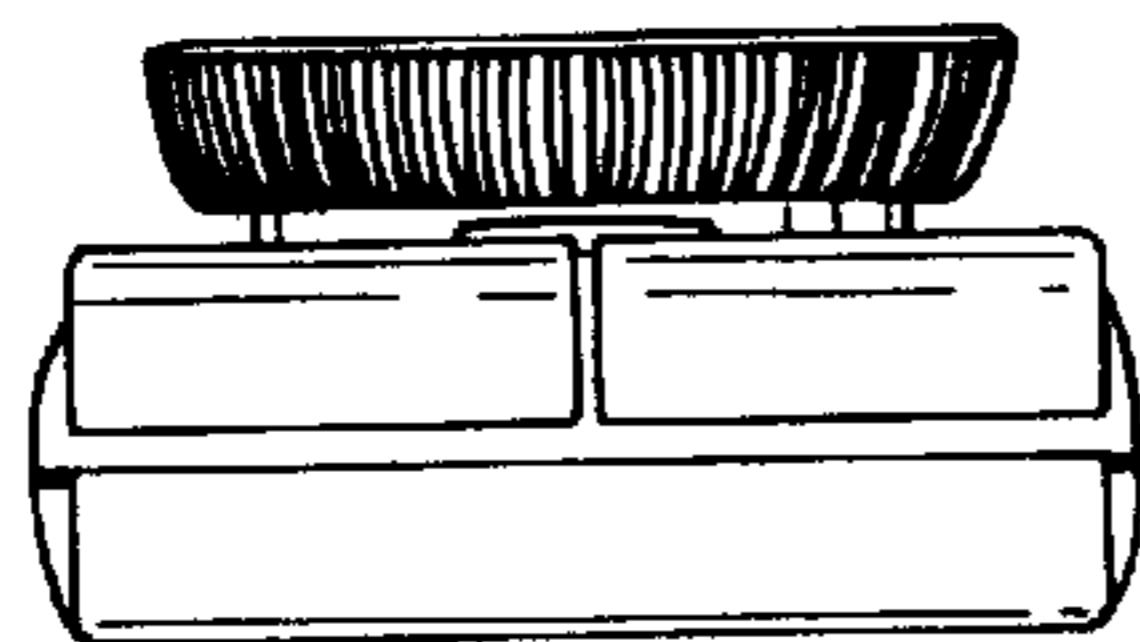


FIG. 6

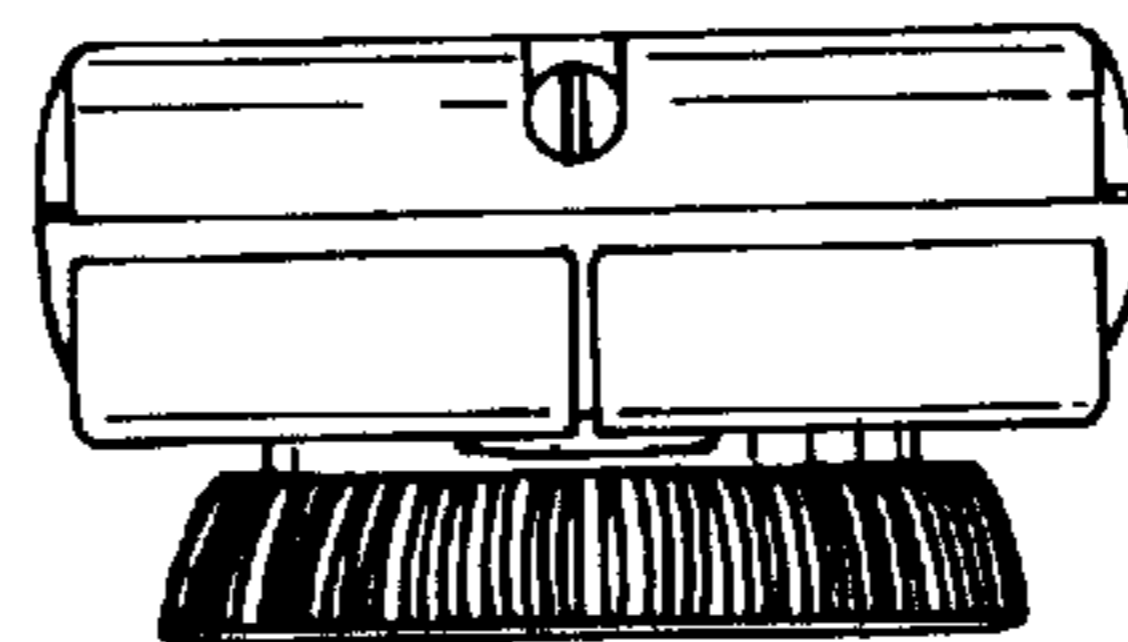


FIG. 7