



US00D514092S

(12) **United States Design Patent**  
**Christianson**

(10) **Patent No.:** **US D514,092 S**  
(45) **Date of Patent:** **\*\* Jan. 31, 2006**

(54) **SUBWOOFER**

(75) **Inventor:** **Tristan M. Christianson**, San Francisco, CA (US)

(73) **Assignee:** **Sharper Image Corporation**, San Francisco, CA (US)

(\*\*) **Term:** **14 Years**

(21) **Appl. No.:** **29/209,294**

(22) **Filed:** **Jul. 14, 2004**

(51) **LOC (8) Cl.** ..... **14-01**

(52) **U.S. Cl.** ..... **D14/216**

(58) **Field of Classification Search** ..... D14/204,  
D14/207, 209-216, 356; 181/143-144, 147-148,  
181/150, 157, 198-199, 151, 153; 381/300-302,  
381/306, 333, 345, 361-364, 386-388, 332,  
381/336

See application file for complete search history.

(56) **References Cited**

**U.S. PATENT DOCUMENTS**

D186,892 S \* 12/1959 Wilber ..... D14/211  
5,319,164 A \* 6/1994 Shen ..... 181/150  
D426,230 S \* 6/2000 De Iuliis et al. .... D14/216

D447,471 S \* 9/2001 Andre et al. .... D14/216  
D466,887 S \* 12/2002 Lewis ..... D14/216  
D487,737 S \* 3/2004 Lewis ..... D14/215

\* cited by examiner

*Primary Examiner*—Nanda Bondade

(74) *Attorney, Agent, or Firm*—Bell, Boyd & Lloyd LLC

(57) **CLAIM**

The ornamental design for a subwoofer, as shown and described.

**DESCRIPTION**

FIG. 1 is a front perspective view of a subwoofer, showing my new design;

FIG. 2 is a rear perspective view thereof;

FIG. 3 is a right side view thereof;

FIG. 4 is a left side view thereof;

FIG. 5 is a front view thereof.

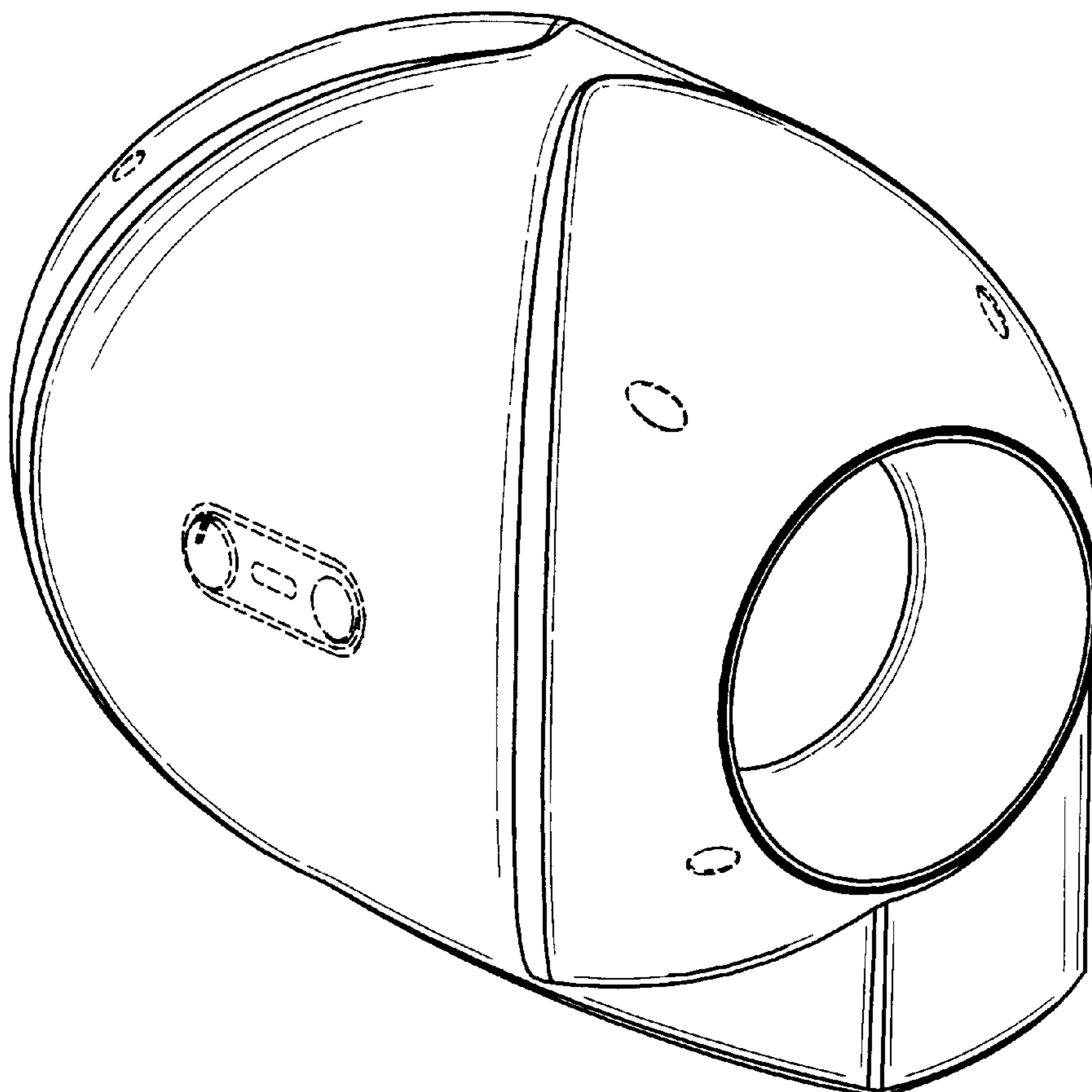
FIG. 6 is a rear view thereof;

FIG. 7 is a top view thereof; and,

FIG. 8 is a bottom view thereof.

The portions shown in broken lines in FIGS. 1-8 are for illustrative purposes only and form no part of the claimed design.

**1 Claim, 4 Drawing Sheets**



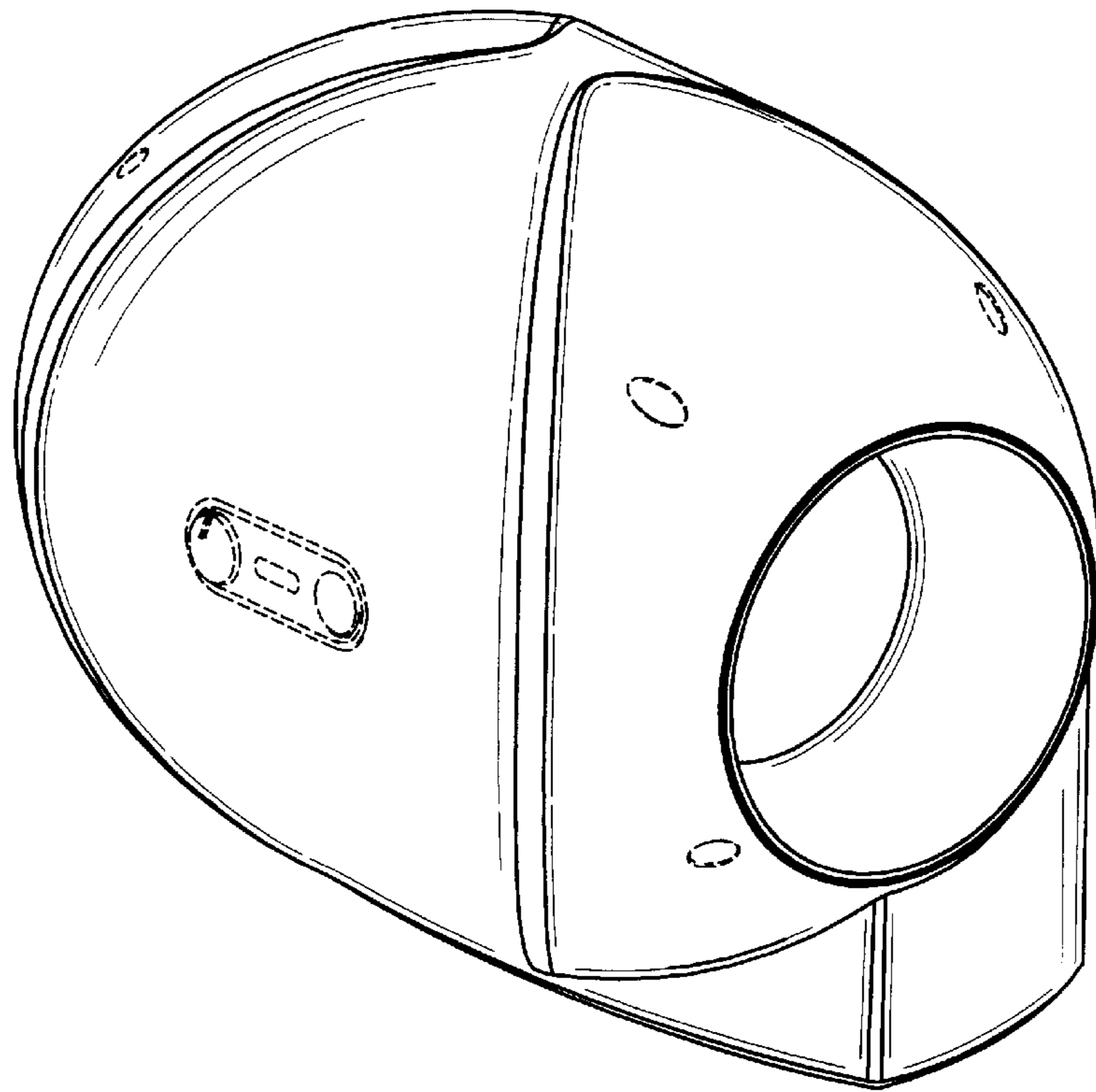


FIG. 1

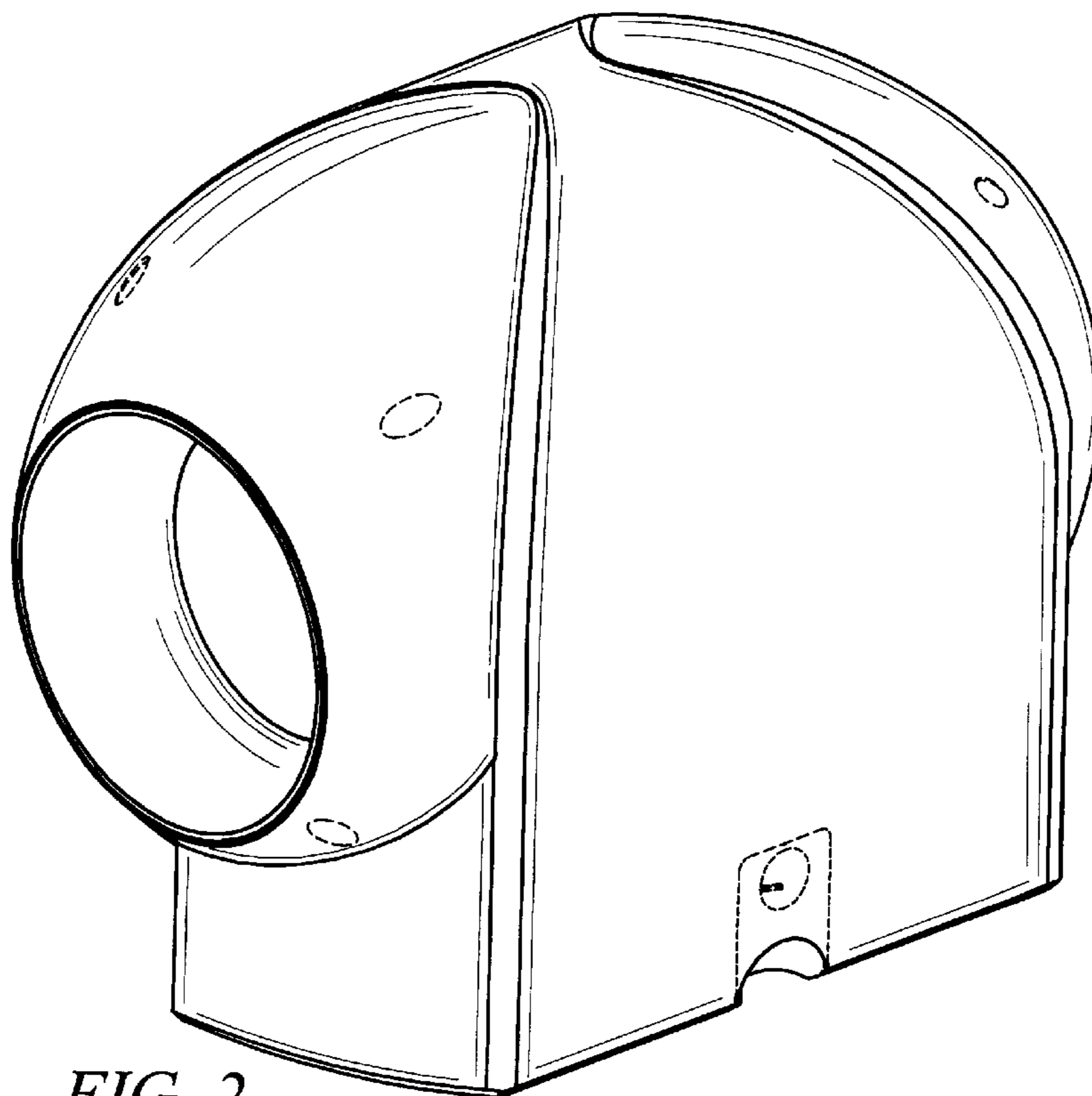


FIG. 2

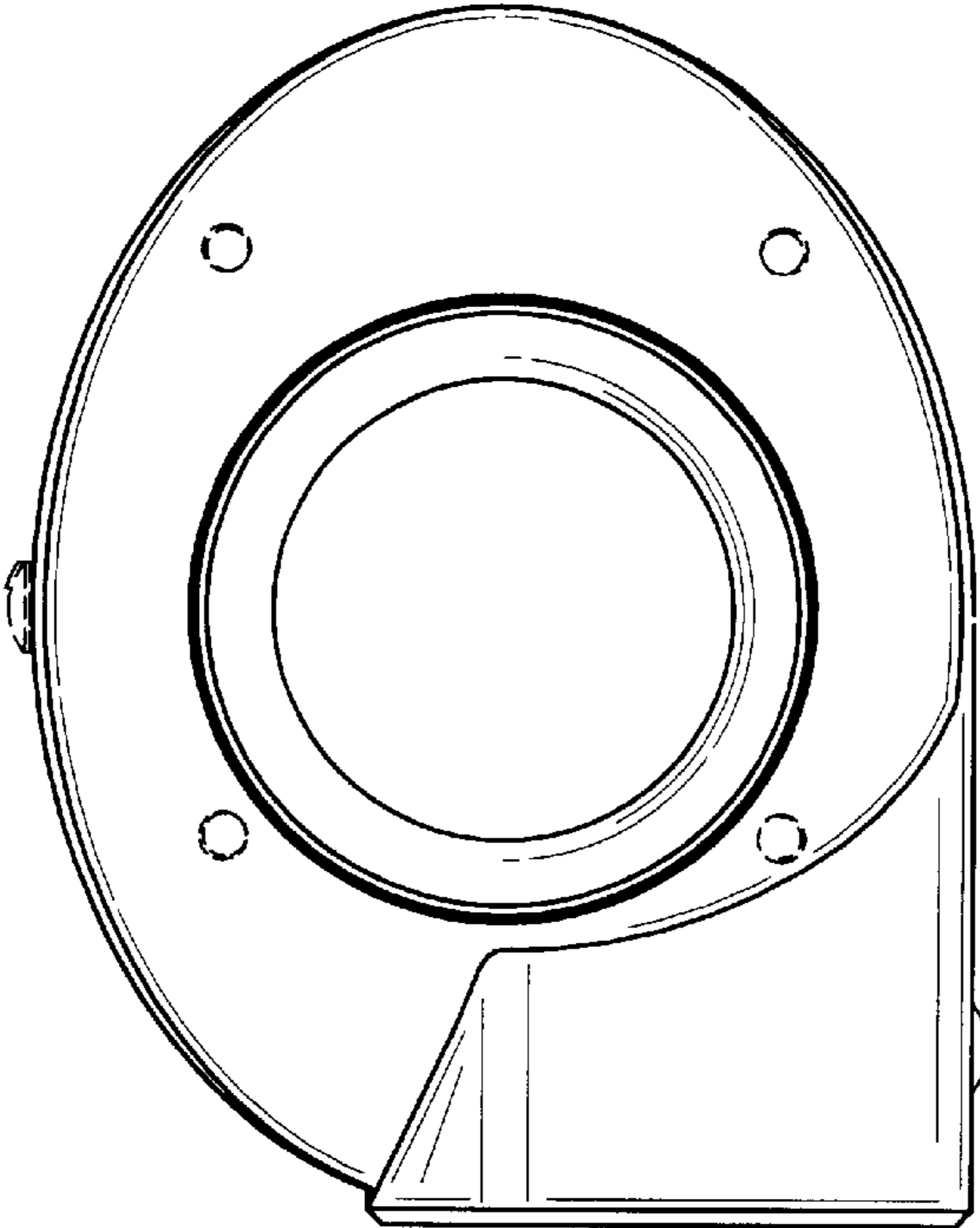


FIG. 3

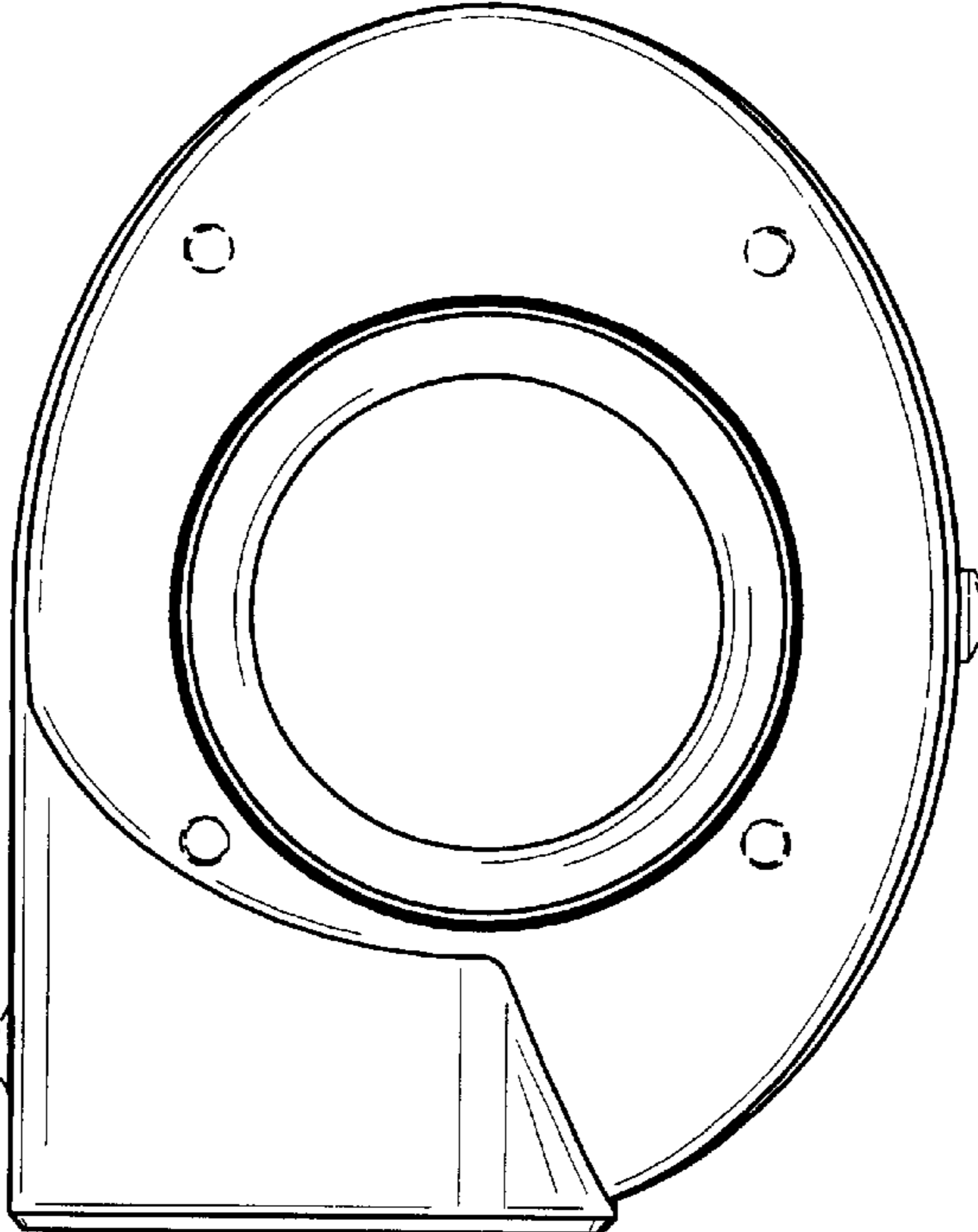


FIG. 4

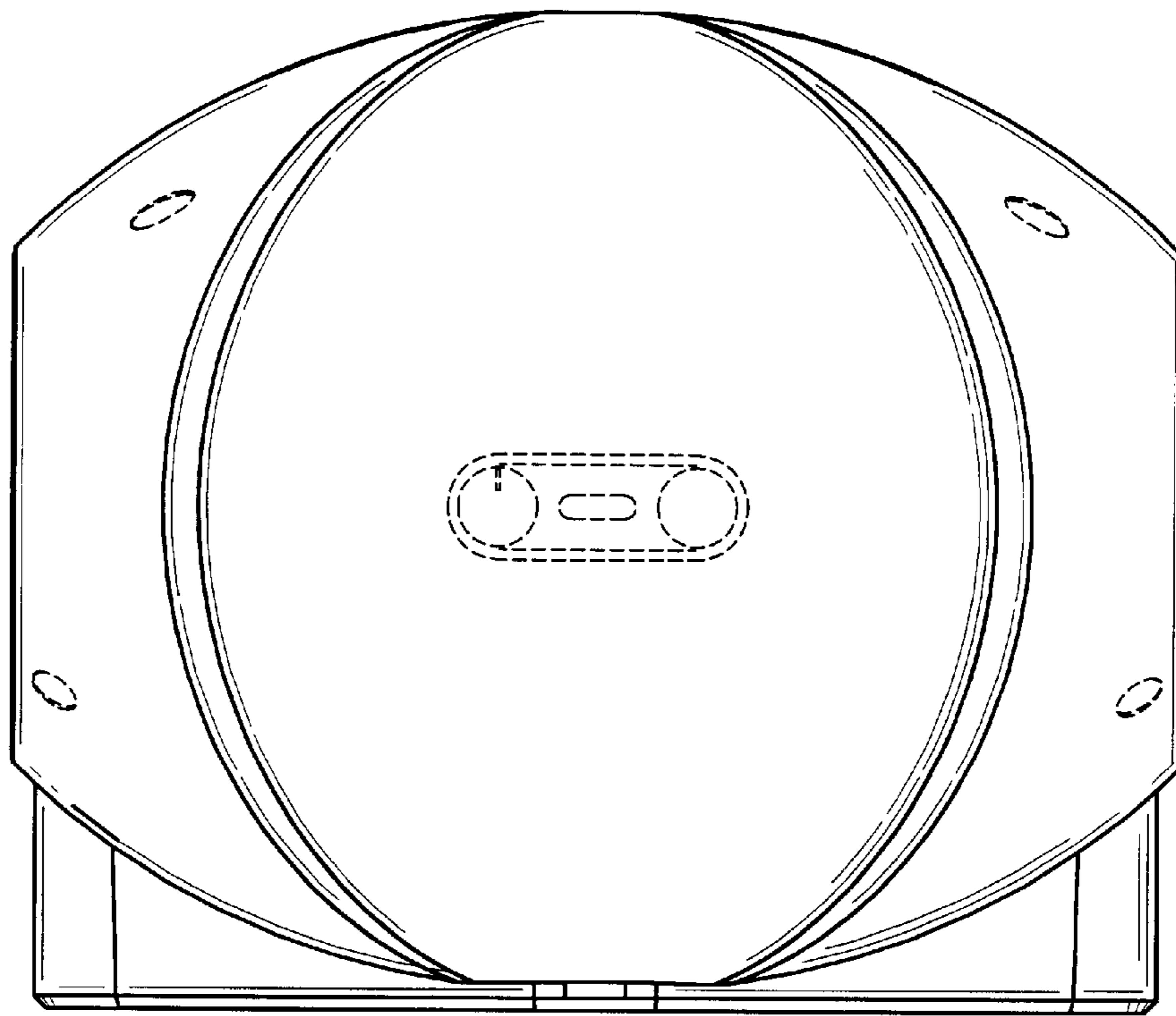


FIG. 5

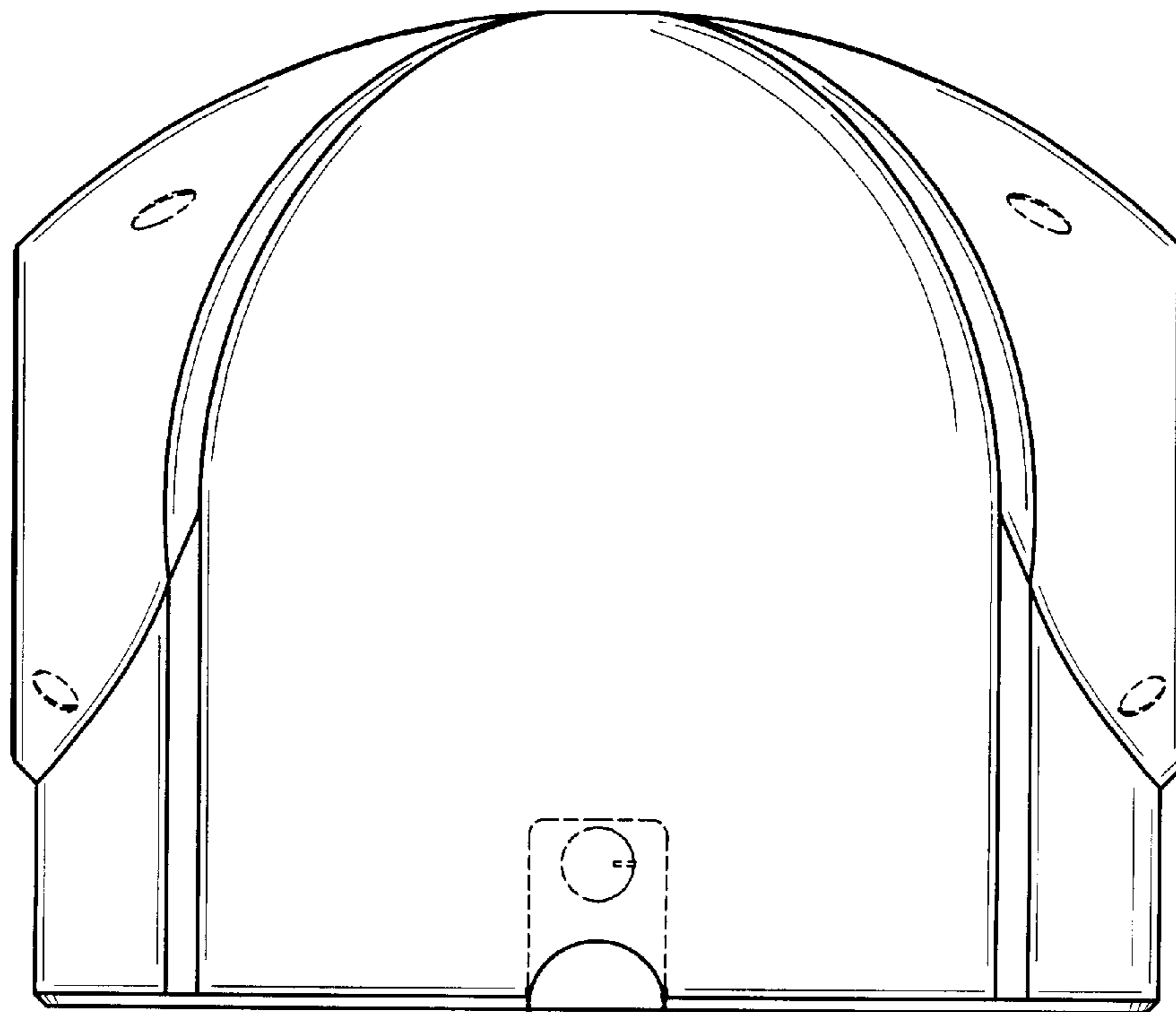


FIG. 6

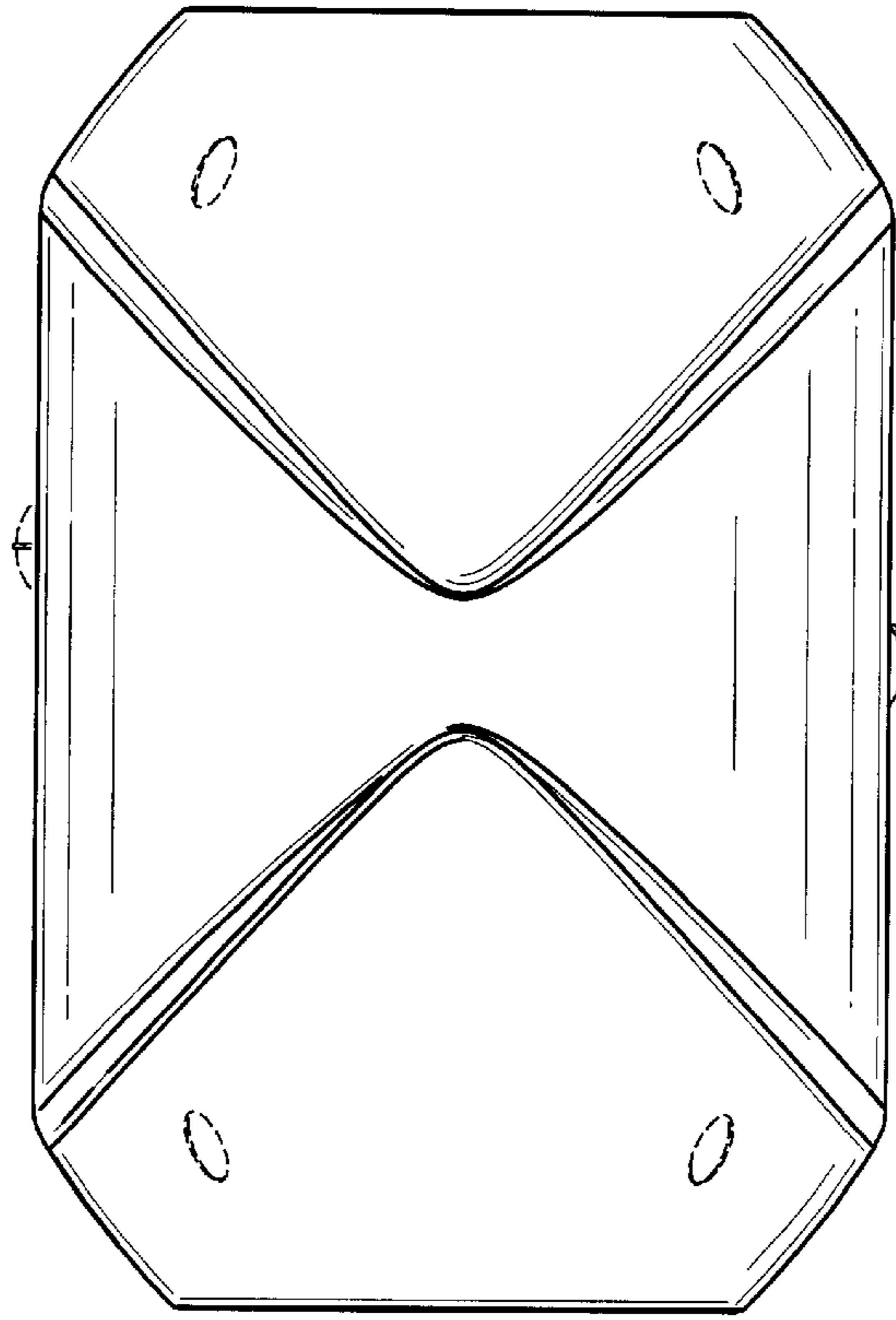


FIG. 7

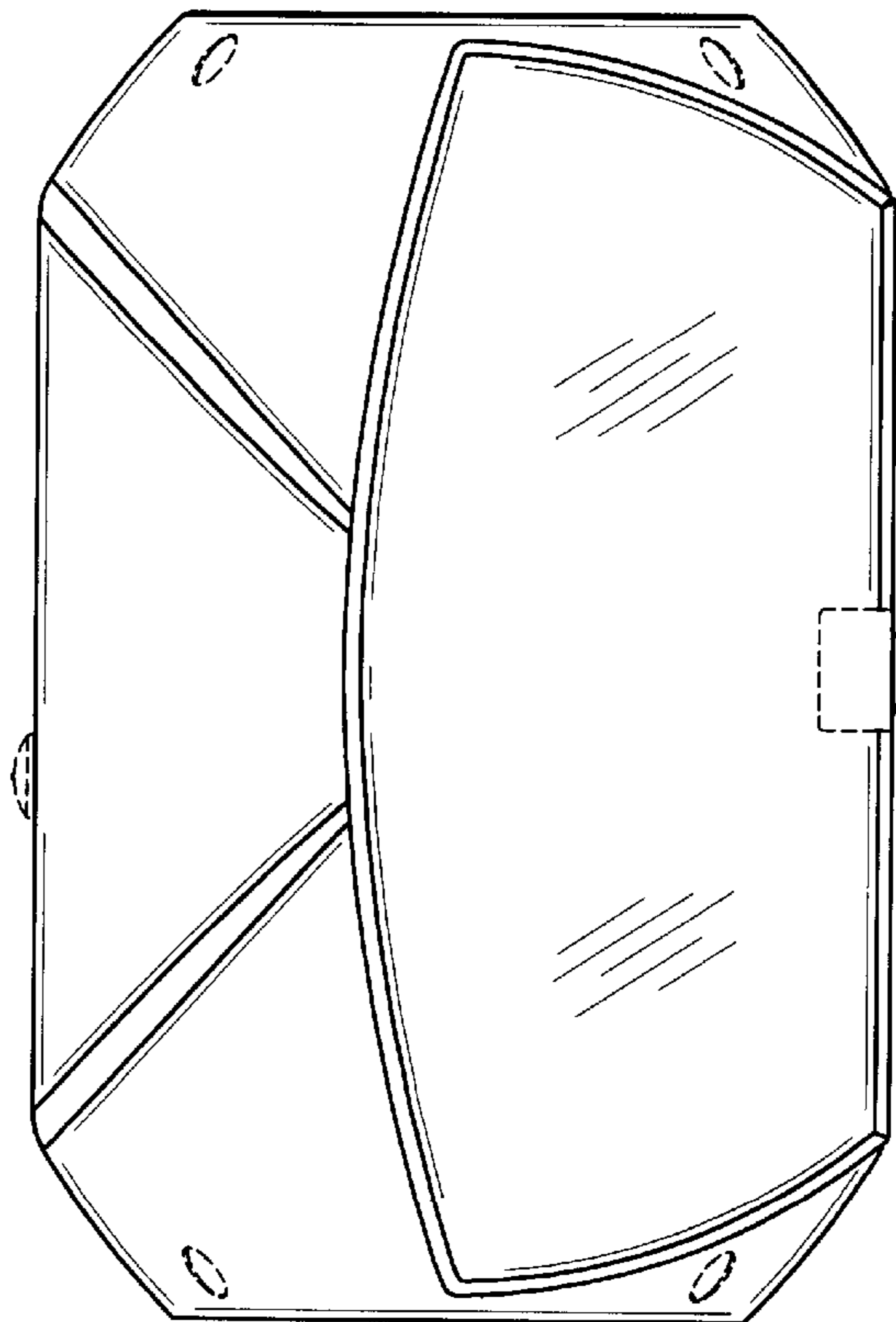


FIG. 8