



US00D514087S

(12) **United States Design Patent**
Wilson et al.

(10) **Patent No.:** **US D514,087 S**
(45) **Date of Patent:** **** Jan. 31, 2006**

(54) **COMMUNICATIONS HEADSET**

(75) Inventors: **Jay Wilson**, Portola Valley, CA (US);
Claude Zellweger, San Francisco, CA (US)

(73) Assignee: **Plantronics, Inc.**, Santa Cruz, CA (US)

(**) Term: **14 Years**

(21) Appl. No.: **29/220,691**

(22) Filed: **Jan. 4, 2005**

(51) **LOC (8) Cl.** **14-01**

(52) **U.S. Cl.** **D14/206**

(58) **Field of Classification Search** D14/142,
D14/188, 192, 205, 206, 223; 181/129–130;
379/430–431; 381/370, 374, 378, 379, 309,
381/381, 383; 2/208–209; D29/122
See application file for complete search history.

(56) **References Cited**

U.S. PATENT DOCUMENTS

D229,833 S	*	1/1974	Becker	D14/205
3,810,525 A	*	5/1974	Crenna	181/129
4,829,571 A	*	5/1989	Kakiuchi et al.	381/309
D328,074 S	*	7/1992	Yamazaki et al.	D14/205
5,293,647 A	*	3/1994	Mirmilshiteyn et al.	2/209
D353,818 S	*	12/1994	Nakamura	D14/205

D431,550 S	*	10/2000	Yoneda	D14/205
D458,597 S	*	6/2002	Davies et al.	D14/206
D484,485 S	*	12/2003	Matsuoka	D14/205
D491,163 S	*	6/2004	Green	D14/205

* cited by examiner

Primary Examiner—Paula A. Greene

(74) *Attorney, Agent, or Firm*—Peter Hsieh

(57) **CLAIM**

The ornamental design for a communications headset, as shown and described.

DESCRIPTION

FIG. 1 is an upper front left perspective view of a communications headset.

FIG. 2 is a rear elevational view of the communications headset.

FIG. 3 is a front elevational view of the communications headset.

FIG. 4 is a right side elevational view of the communications headset.

FIG. 5 is a left side elevational view of the communications headset.

FIG. 6 is a top plan view of the communications headset; and,

FIG. 7 is a bottom plan view of the communications headset.

1 Claim, 3 Drawing Sheets





FIG. 1

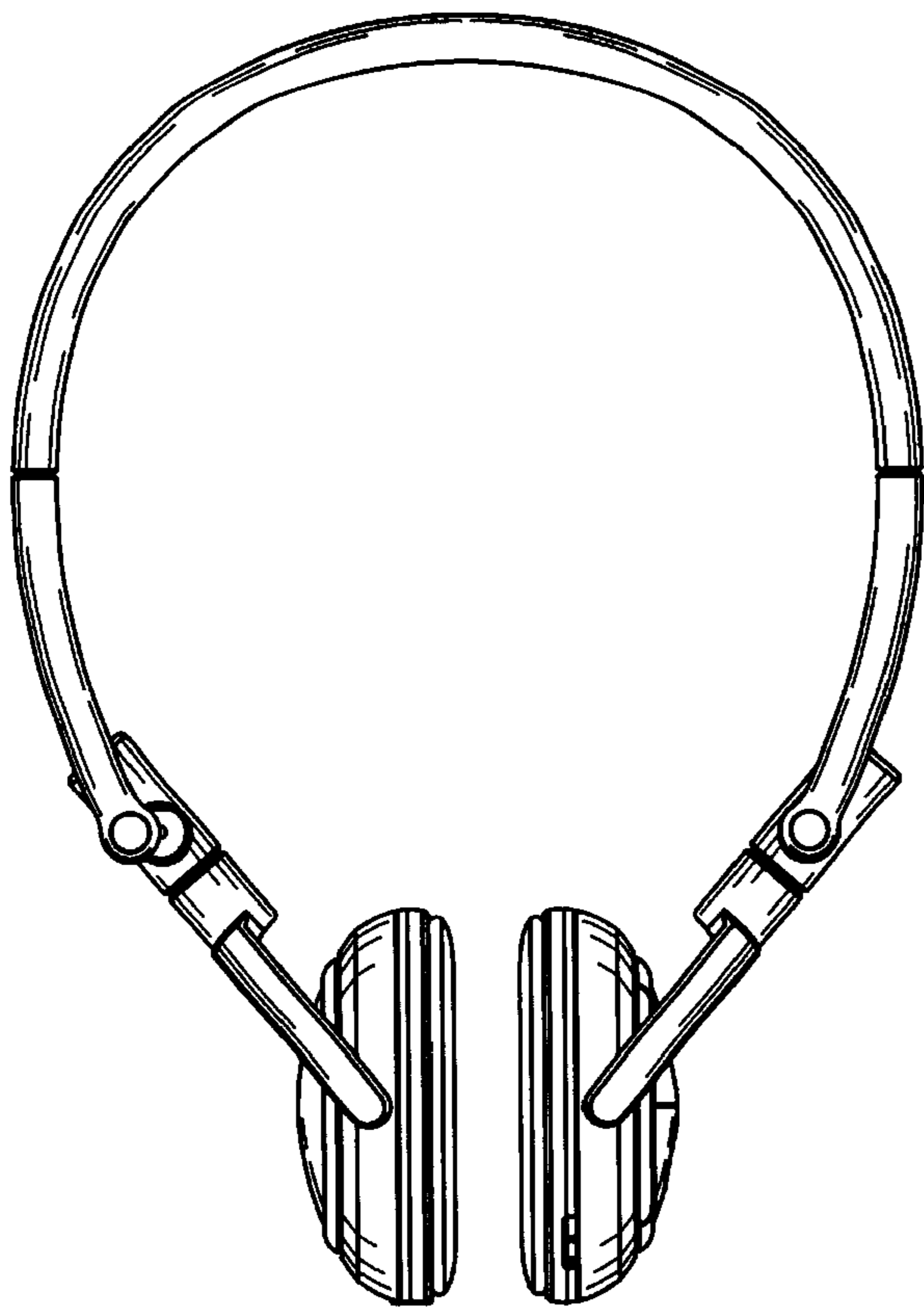


FIG. 2

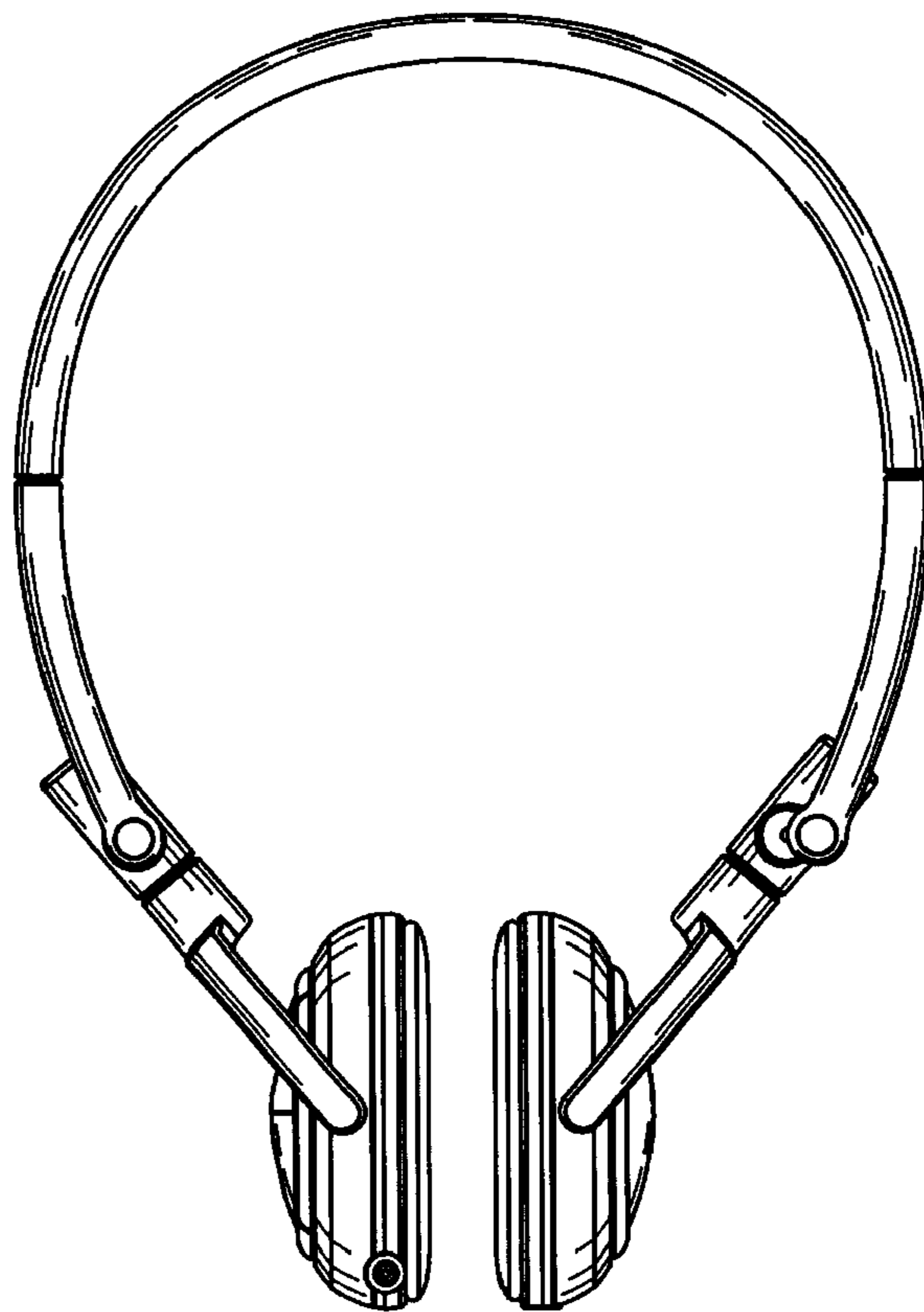


FIG. 3

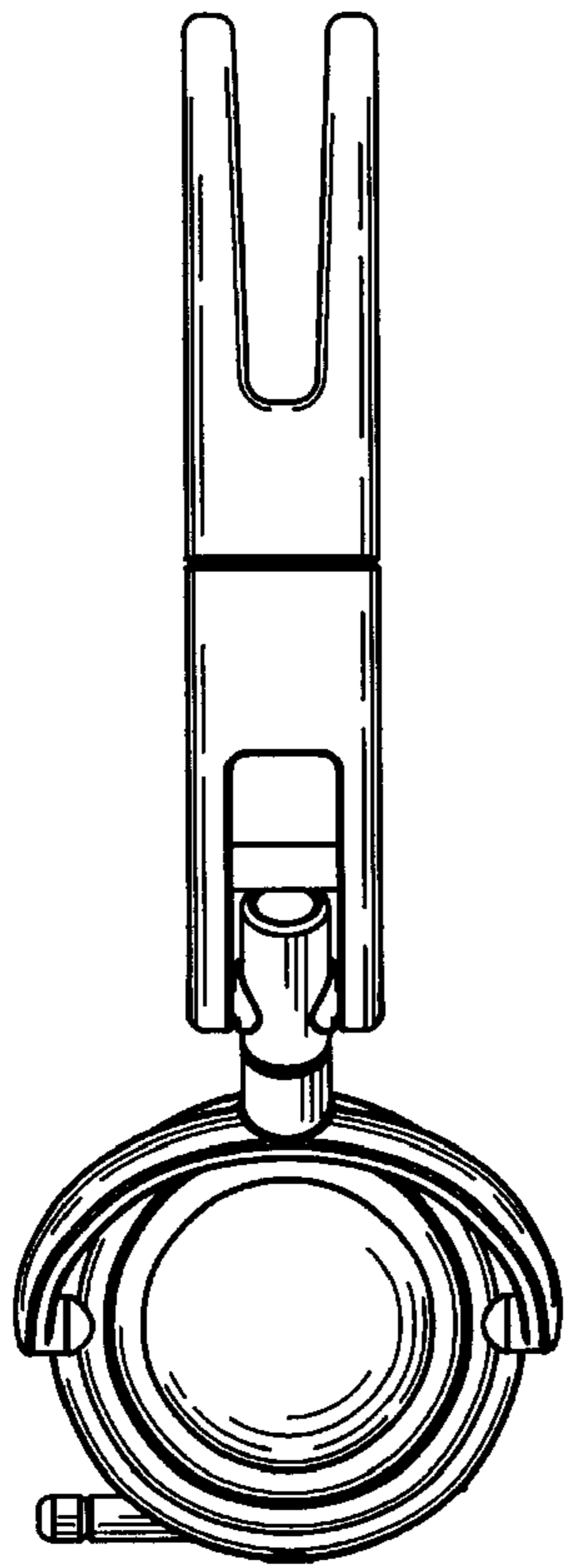


FIG. 4

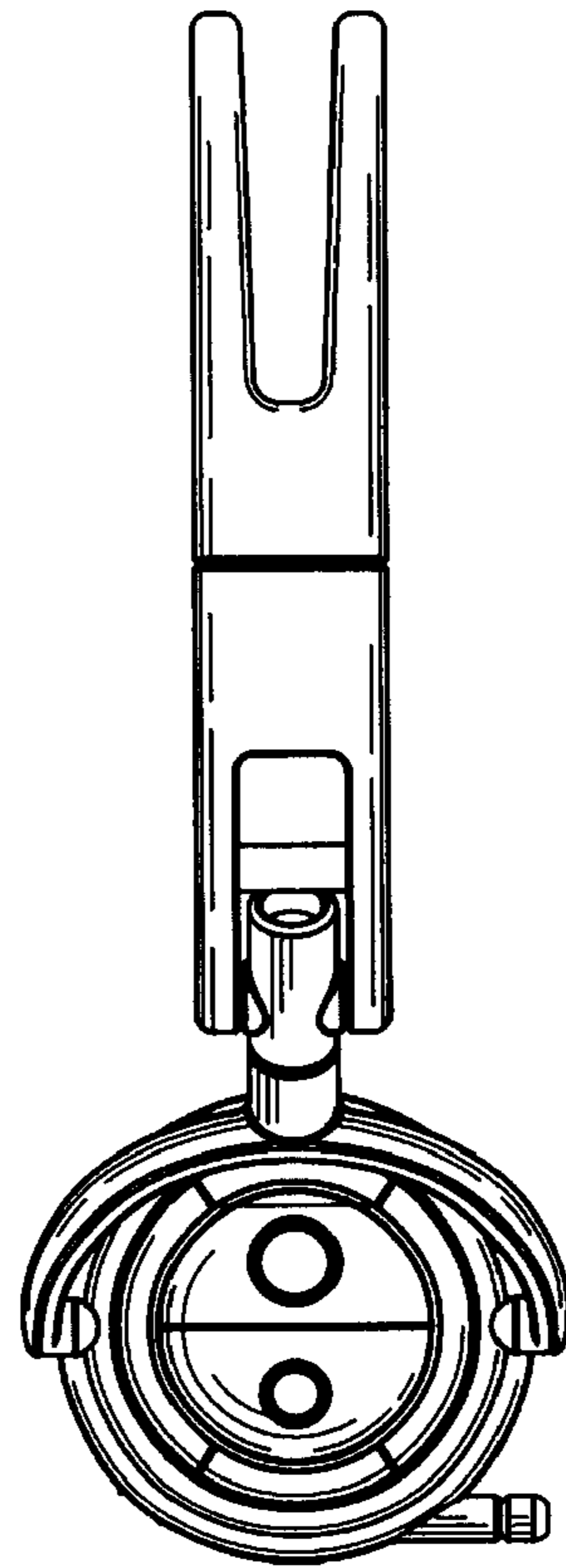


FIG. 5

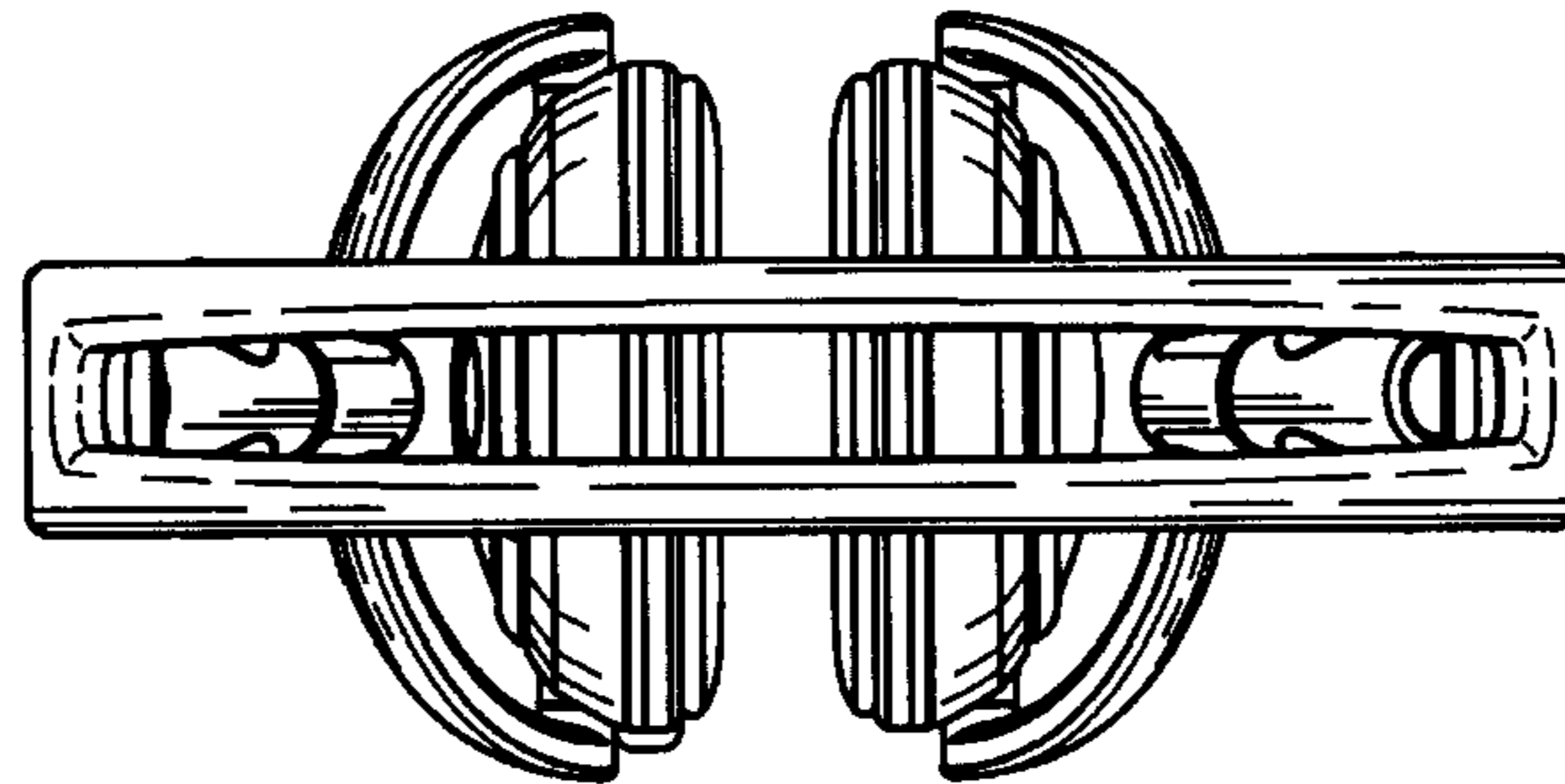


FIG. 6

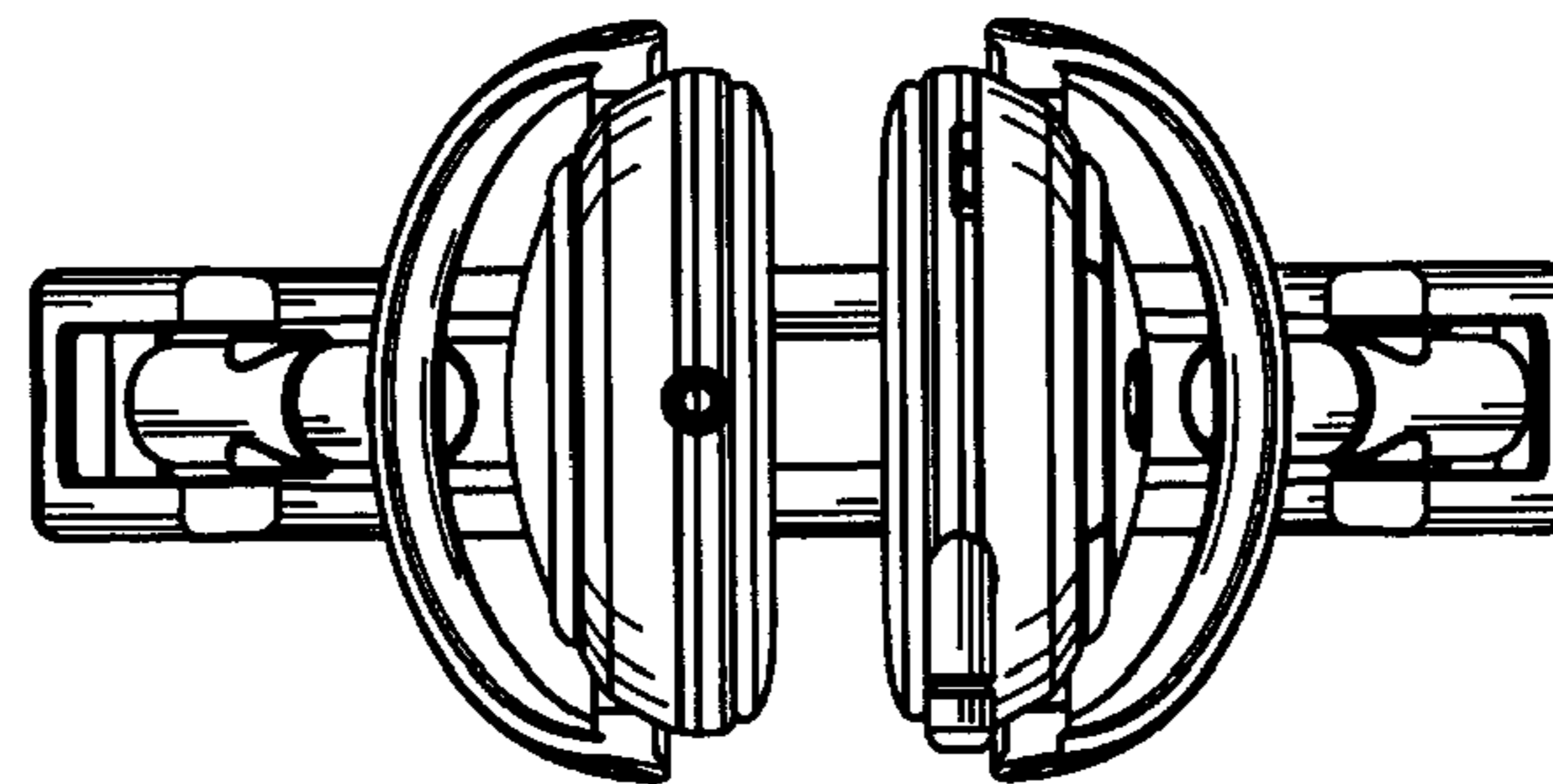


FIG. 7