



US00D514081S

(12) **United States Design Patent** (10) **Patent No.:** **US D514,081 S**
Beasley et al. (45) **Date of Patent:** **** Jan. 31, 2006**

(54) **CORDLESS TELEPHONE BASE**
 (75) Inventors: **Jeffery R. Beasley**, Suwanee, GA (US);
Christopher G. Franck, Decatur, GA
 (US); **Matthew M. Julian**, Sunrise, FL
 (US)
 (73) Assignee: **General Instrument Corporation**,
 Horsham, PA (US)
 (**) Term: **14 Years**

D401,235 S * 11/1998 Fuke et al. D14/149
 D408,815 S * 4/1999 Halus et al. D14/149
 D410,922 S * 6/1999 Komiyama D14/149
 D414,489 S * 9/1999 Voigt et al. D14/148
 D432,106 S * 10/2000 Isonaga D14/149
 D435,531 S * 12/2000 Isonaga D14/149
 D452,213 S * 12/2001 Shindo et al. D13/108
 6,356,053 B1 * 3/2002 Sandoz et al. 320/115
 D469,074 S * 1/2003 Muenschler et al. D14/149
 D489,048 S * 4/2004 Robertson et al. D14/149
 D489,348 S * 5/2004 Robertson et al. D14/151

FOREIGN PATENT DOCUMENTS

WO DM/046695 * 2/1999
 WO DM/050606 * 11/1999
 WO DM/055666 * 5/2000
 WO DM/064090 * 3/2002
 WO DM/060792 * 6/2002

* cited by examiner

Primary Examiner—Jeffrey Asch
 (74) *Attorney, Agent, or Firm*—Esteban A. Rockett

(21) Appl. No.: **29/210,246**
 (22) Filed: **Jul. 29, 2004**
 (51) **LOC (8) Cl.** **14-03**
 (52) **U.S. Cl.** **D14/149; D13/108**
 (58) **Field of Classification Search** D14/149–151,
 D14/147–148, 251–253, 144, 143, 130, 329,
 D14/330, 434, 140, 142; 379/419, 428.01–428.04,
 379/440; D13/107, 108; D21/517
 See application file for complete search history.

(57) **CLAIM**

The ornamental design for a cordless telephone base, as shown and described.

(56) **References Cited**

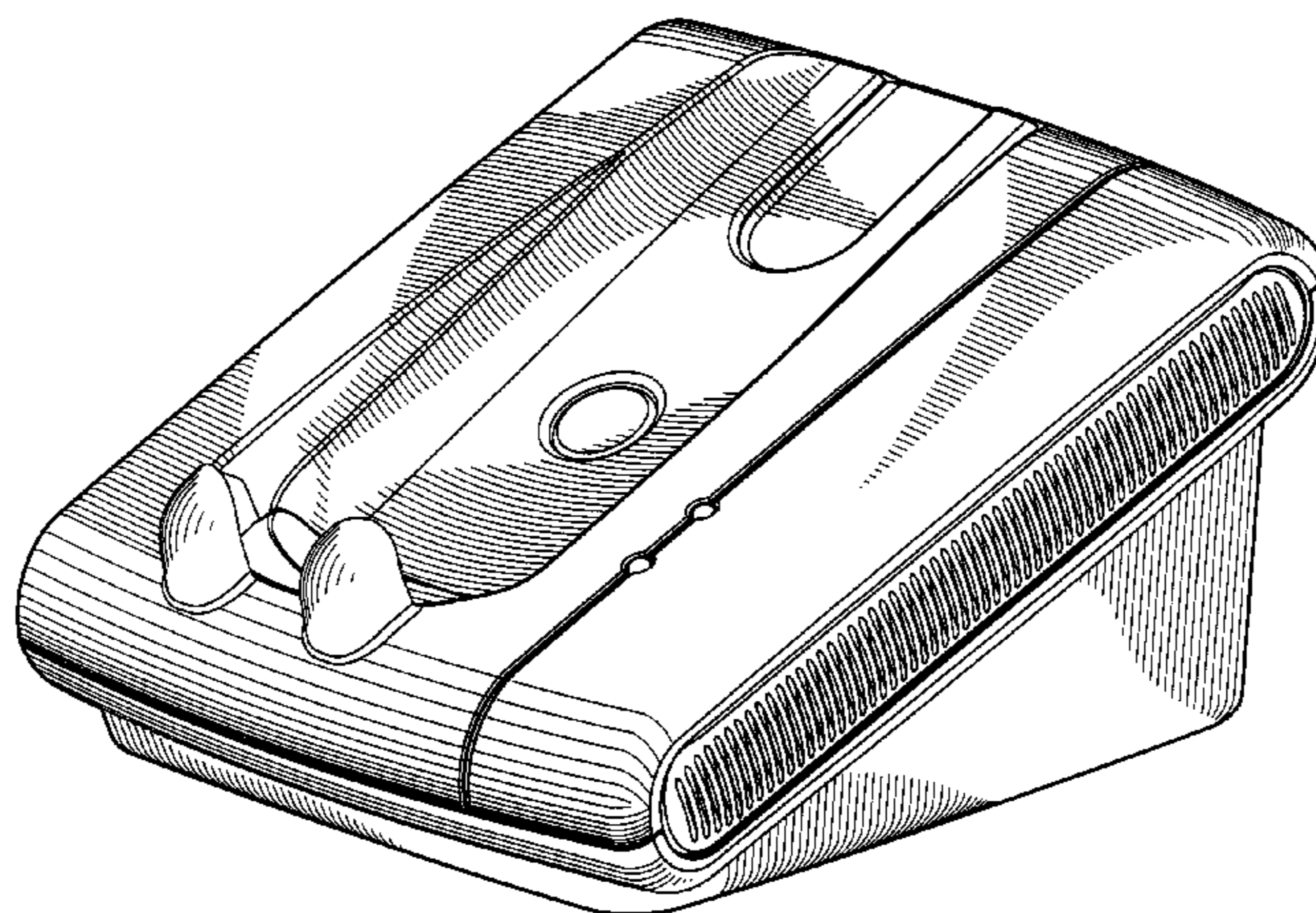
U.S. PATENT DOCUMENTS

D278,434 S * 4/1985 Nestell D14/149
 D286,150 S * 10/1986 Cooke et al. D14/149
 D298,940 S * 12/1988 Lau D14/138
 D303,115 S * 8/1989 Hart et al. D14/142
 D307,276 S * 4/1990 Desbarats D14/149
 D307,277 S * 4/1990 Desbarats D14/251
 D320,982 S * 10/1991 Siddoway D14/137
 D345,974 S * 4/1994 Biskup et al. D14/149
 D349,899 S * 8/1994 Siddoway et al. D14/151
 D352,497 S * 11/1994 Scianna et al. D13/108
 D358,387 S * 5/1995 Tokiyama D14/149
 D359,284 S * 6/1995 Hung D14/151
 D361,999 S * 9/1995 Roegner D14/149
 D363,286 S * 10/1995 Solomita D14/151
 D369,803 S * 5/1996 Ka Hung D14/149
 D375,935 S * 11/1996 Nagele et al. D13/108
 D378,089 S * 2/1997 Biskup et al. D14/149
 D382,557 S * 8/1997 Solomita et al. D14/149
 D384,663 S * 10/1997 Solomita et al. D14/141.1
 D388,433 S * 12/1997 Lepack D14/149

DESCRIPTION

FIG. 1 is a front perspective view of a cordless telephone base in accordance with the present invention;
 FIG. 2 is a top view of the cordless telephone base of FIG. 1;
 FIG. 3 is a bottom view of the cordless telephone base of FIG. 1;
 FIG. 4 is a front view of the cordless telephone base of FIG. 1;
 FIG. 5 is a rear view of the cordless telephone base of FIG. 1;
 FIG. 6 is a left side view of the cordless telephone base of FIG. 1; and,
 FIG. 7 is a right side view of the cordless telephone base of FIG. 1.
 The portions drawn in broken lines are shown for illustrative purposes only and do not form part of the claimed design.

1 Claim, 4 Drawing Sheets



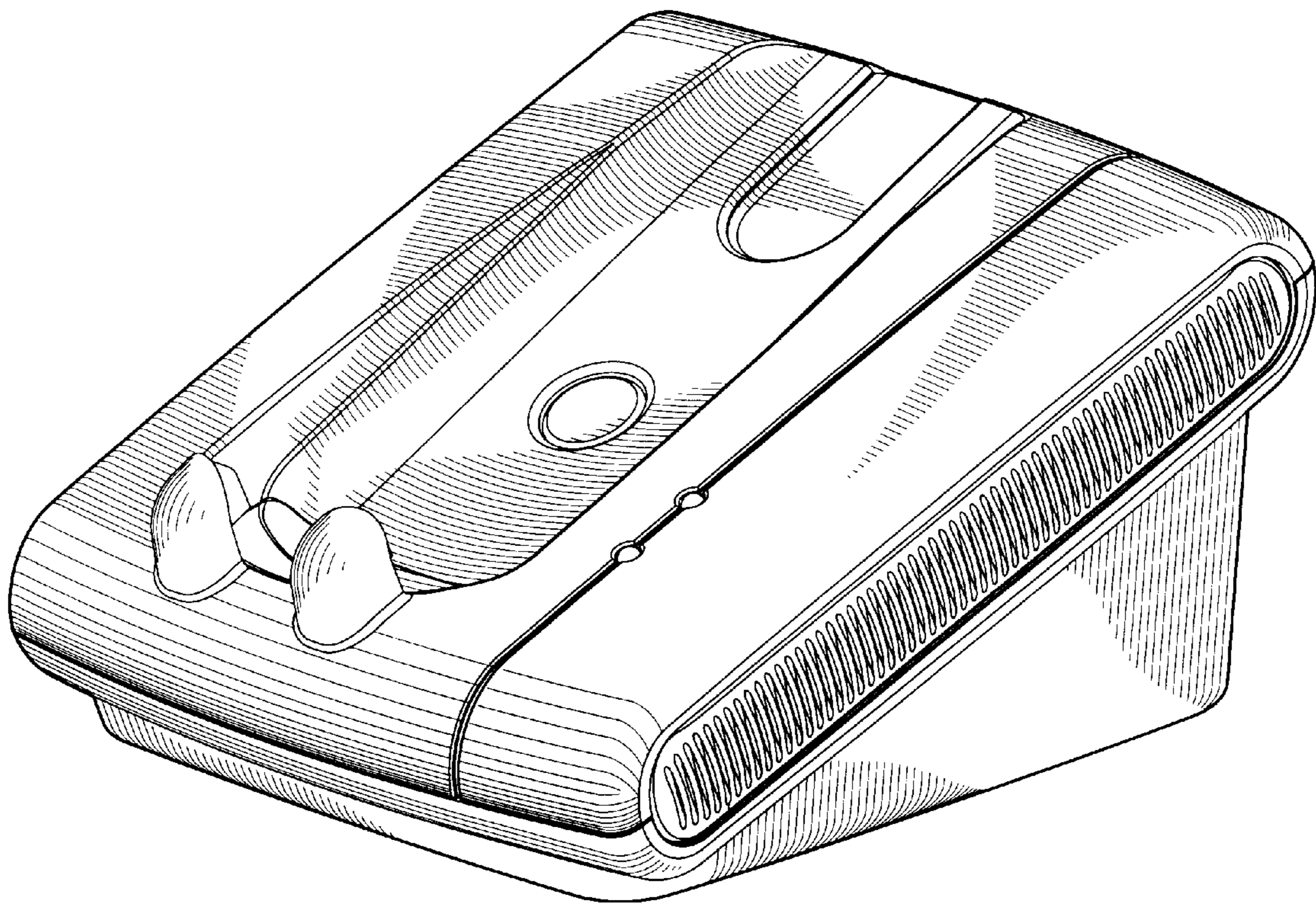


FIG. 1

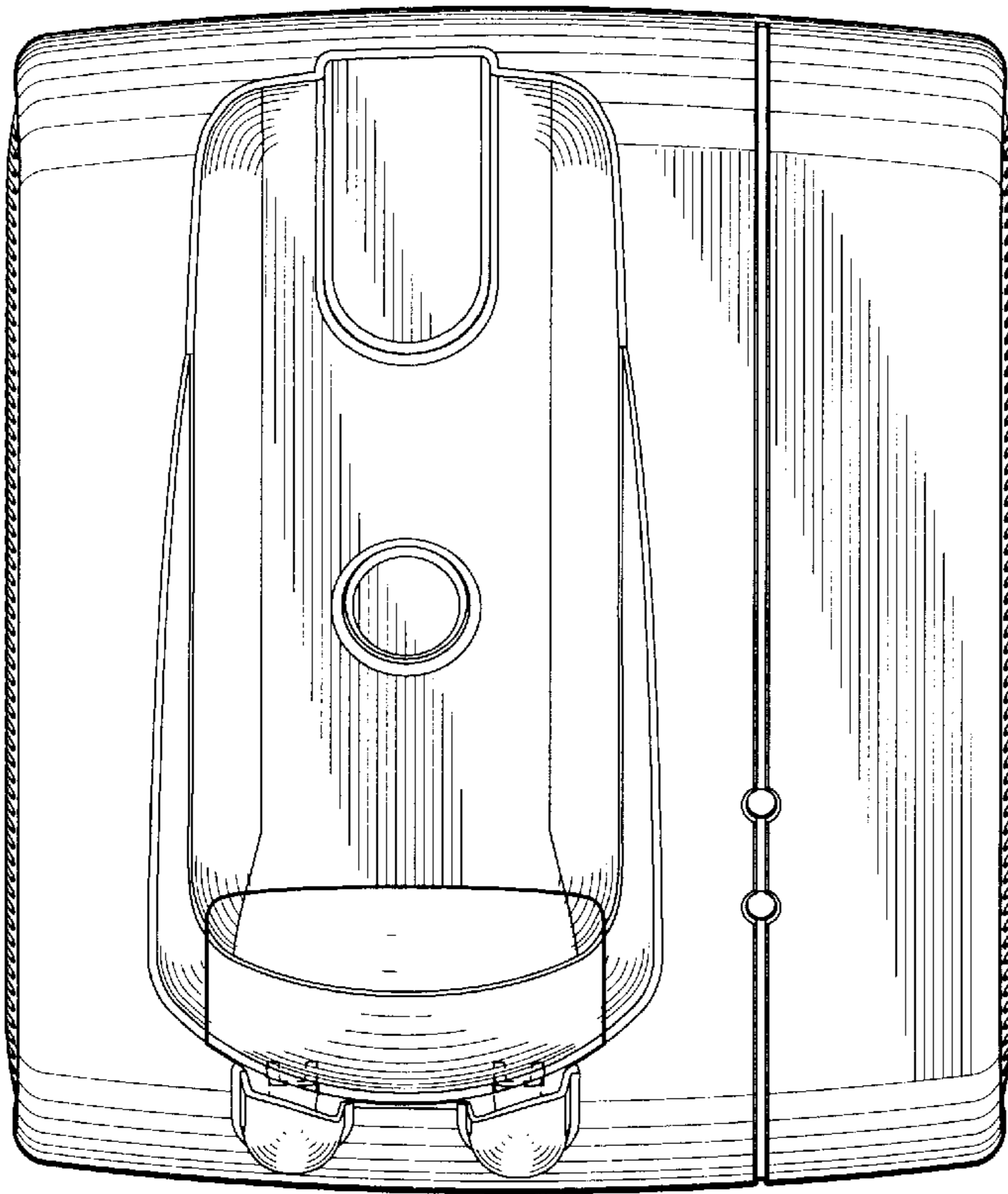


FIG. 2

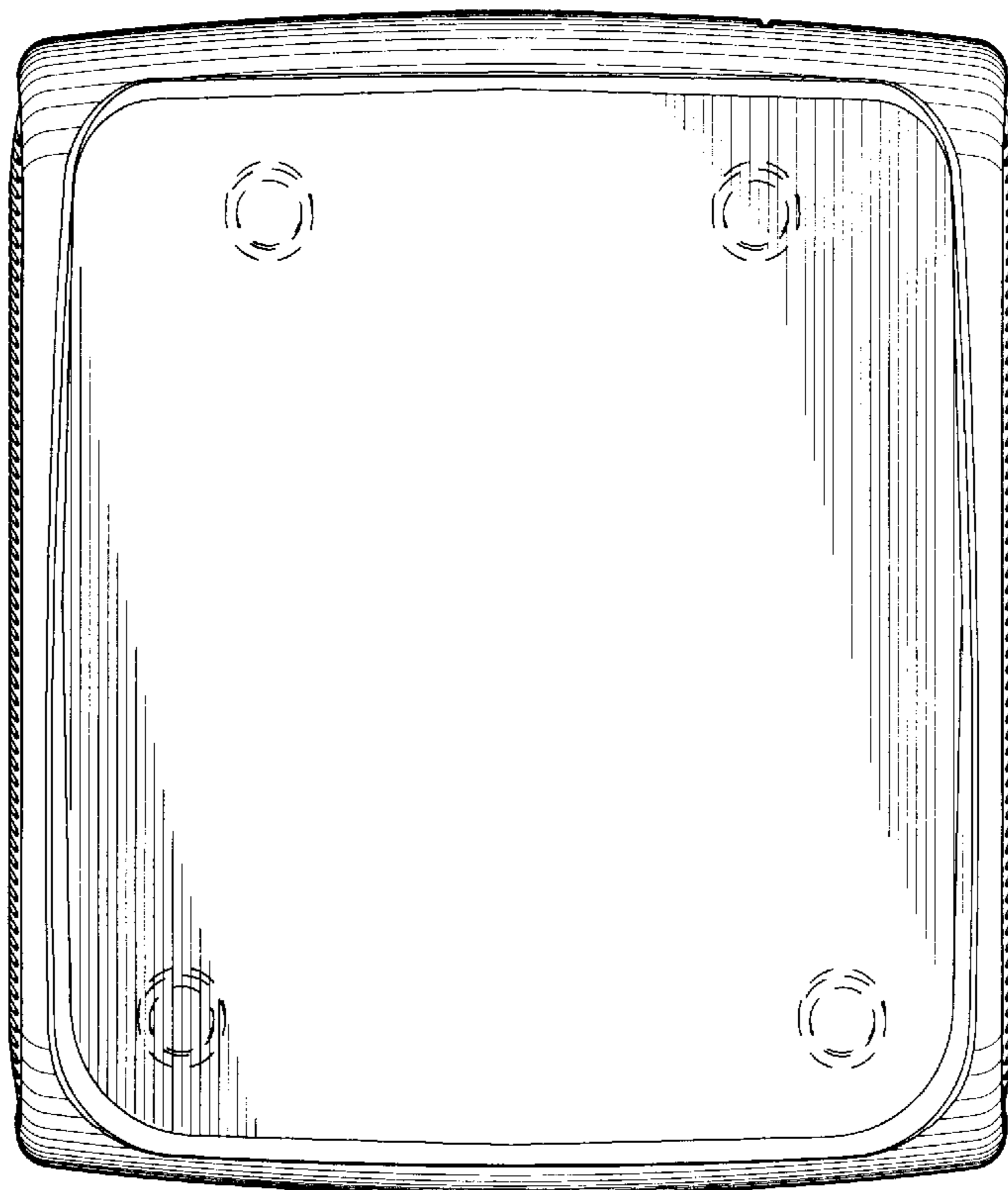


FIG. 3

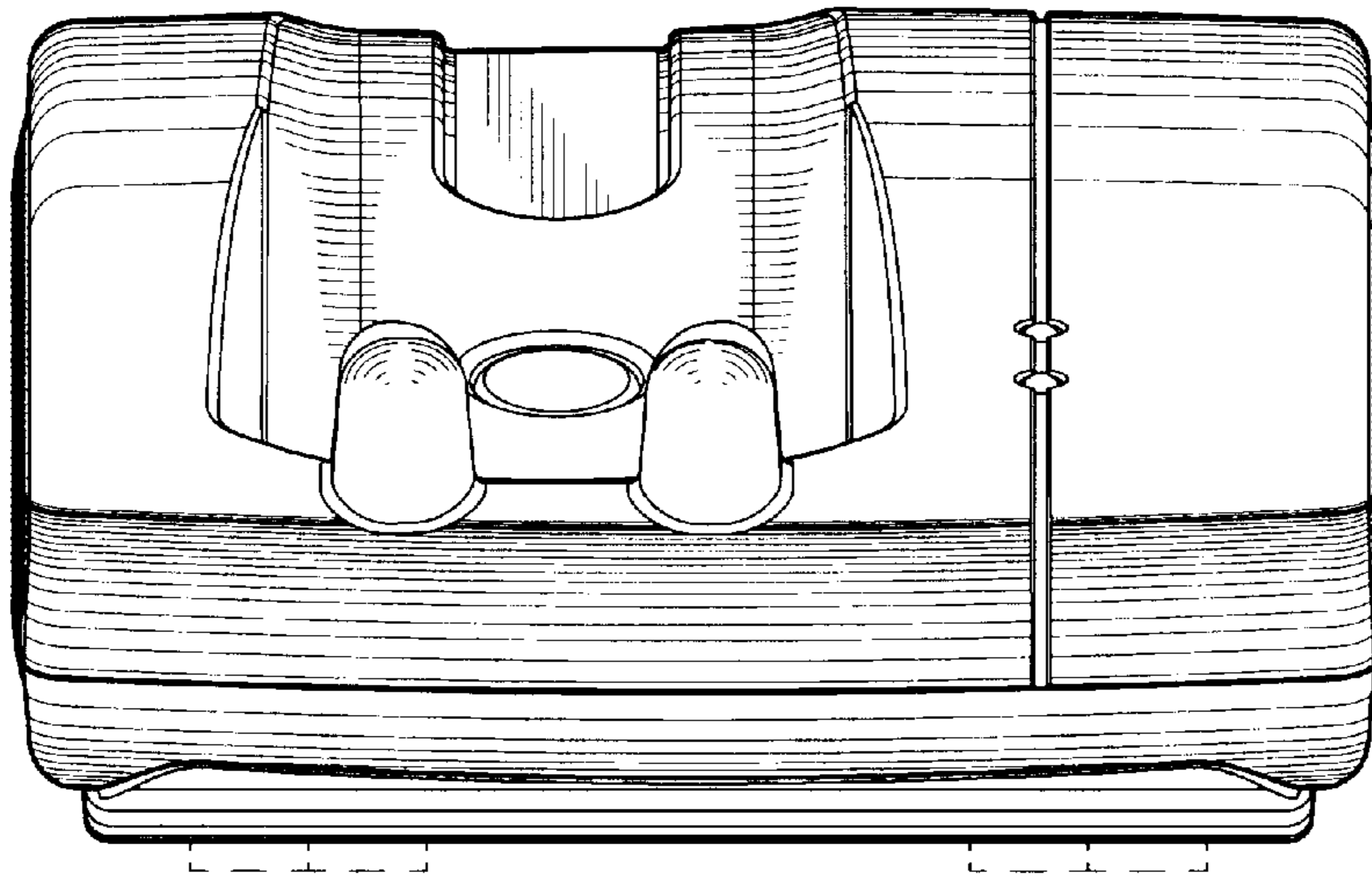


FIG. 4



FIG. 5

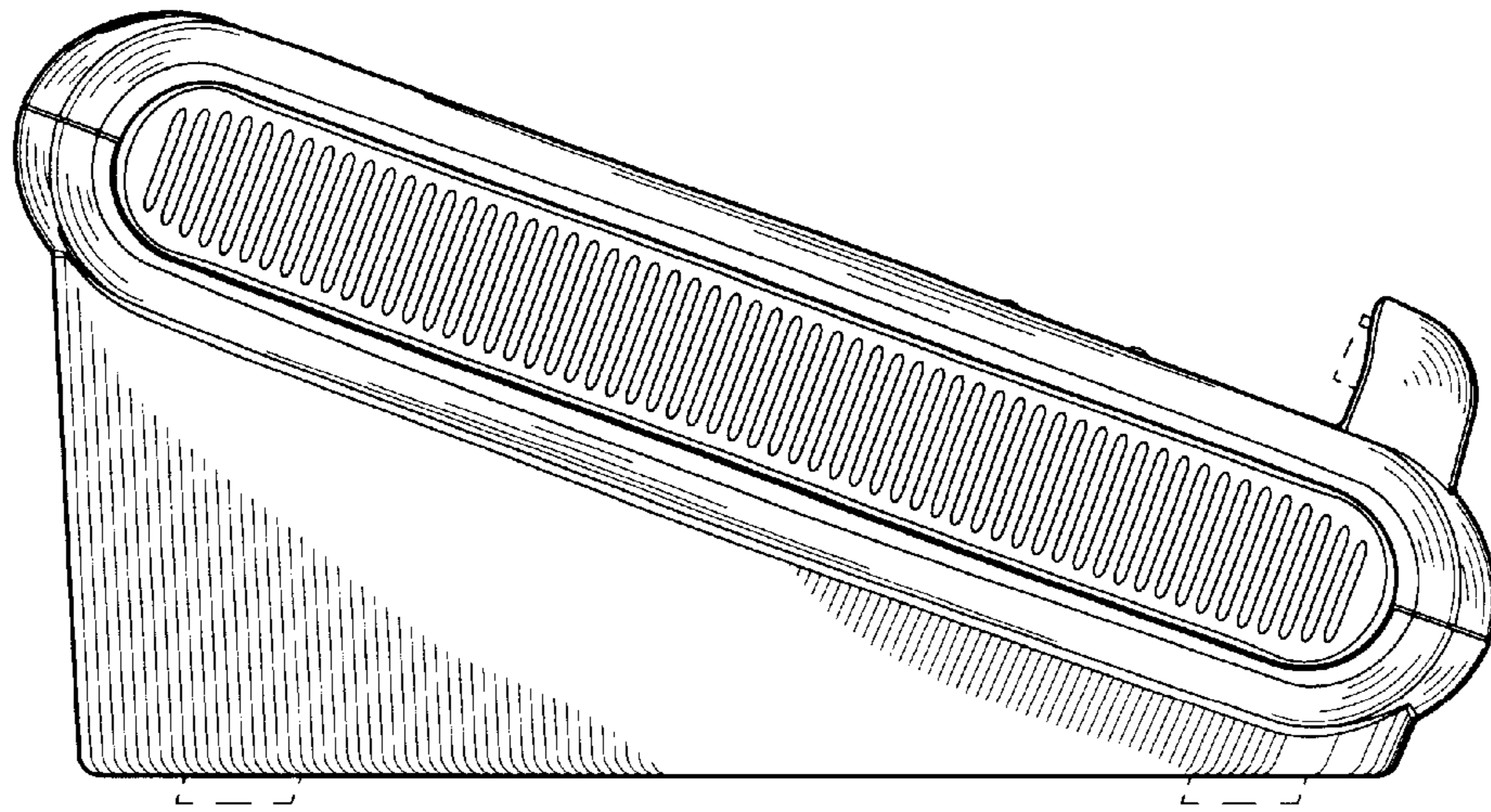


FIG. 6

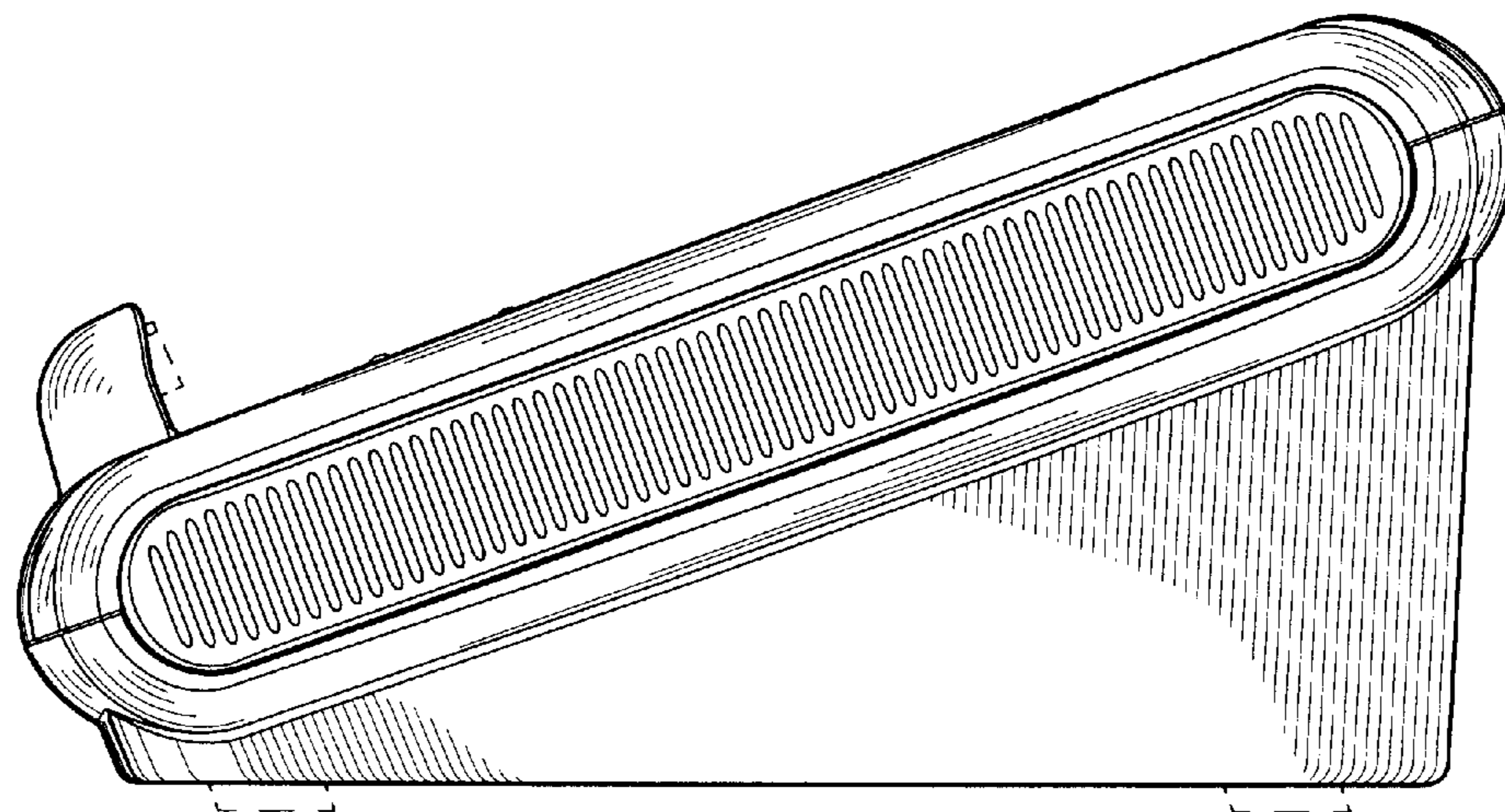


FIG. 7