



US00D514078S

(12) **United States Design Patent**
Rookard

(10) **Patent No.:** **US D514,078 S**

(45) **Date of Patent:** **** Jan. 31, 2006**

(54) **MINIATURE CELLULAR TELEPHONE**

(76) **Inventor:** **Tracy Rookard**, 13307 Harrison Ave.,
Ft. Washington, MD (US) 20744

(**) **Term:** **14 Years**

(21) **Appl. No.:** **29/213,662**

(22) **Filed:** **Sep. 22, 2004**

(51) **LOC (8) Cl.** **14-03**

(52) **U.S. Cl.** **D14/138**

(58) **Field of Classification Search** D14/137,
D14/138, 147-148, 247-248, 144, 341-347;
379/433.01-433.13, 434; 455/550.1-90.3,
455/575.4, 566, 575.1, 556.1, 556.2, 575.6;
D21/517; D24/167, 186; 345/169; 600/503;
D10/30-39, 122-126, 128; 368/10, 13
See application file for complete search history.

(56) **References Cited**

U.S. PATENT DOCUMENTS

- D81,731 S * 7/1930 Schlacht D10/37
- D101,073 S * 9/1936 Tamis D8/99
- D302,271 S * 7/1989 Watanabe D14/140
- D304,191 S * 10/1989 Sekine D14/192
- D317,762 S * 6/1991 Watanabe D14/138
- D320,167 S * 9/1991 Imai D10/40
- D345,555 S * 3/1994 Yokouchi et al. D14/138
- D355,182 S * 2/1995 Namba D14/138
- D358,816 S * 5/1995 Scheid D14/191
- 5,422,656 A * 6/1995 Allard et al. 345/173
- D364,616 S * 11/1995 Oda et al. D14/138
- D378,088 S * 2/1997 Ando D14/138
- D387,296 S * 12/1997 Yuen D10/106
- 5,703,932 A * 12/1997 Oda 455/566
- D391,568 S * 3/1998 Carlson D14/138
- D393,629 S * 4/1998 Tsui D13/168
- 5,819,183 A * 10/1998 Voroba et al. 455/570
- D401,914 S * 12/1998 Kamegi D14/343
- D417,657 S * 12/1999 Matsumoto D14/343
- 6,101,402 A * 8/2000 Bartha et al. 455/569.1

- D438,854 S * 3/2001 Badoual D14/138
- 6,292,562 B1 * 9/2001 Badarneh 379/433.07
- D450,675 S * 11/2001 Kim et al. D14/138
- D486,484 S * 2/2004 Bloomberg et al. D14/248
- D491,155 S * 6/2004 Kawakami et al. D14/138
- D491,542 S * 6/2004 Chai et al. D14/138
- D496,653 S * 9/2004 Townsend et al. D14/240
- 2001/0018351 A1 * 8/2001 Hino et al. 455/552
- 2002/0065111 A1 * 5/2002 Otsuka et al. 455/566
- 2003/0073456 A1 * 4/2003 Griffin et al. 455/550

FOREIGN PATENT DOCUMENTS

WO DM/051082 * 2/2000

* cited by examiner

Primary Examiner—Jeffrey Asch

(74) *Attorney, Agent, or Firm*—Terry M Gernstein

(57) **CLAIM**

I claim the ornamental design for a miniature cellular telephone, as shown and described.

DESCRIPTION

FIG. 1 is a front, top and side perspective view of the miniature cellular telephone embodying the design of the present invention with an earplug storage compartment partially open and an earplug partially visible.

FIG. 2 is a top view thereof showing a stylus mounted thereon.

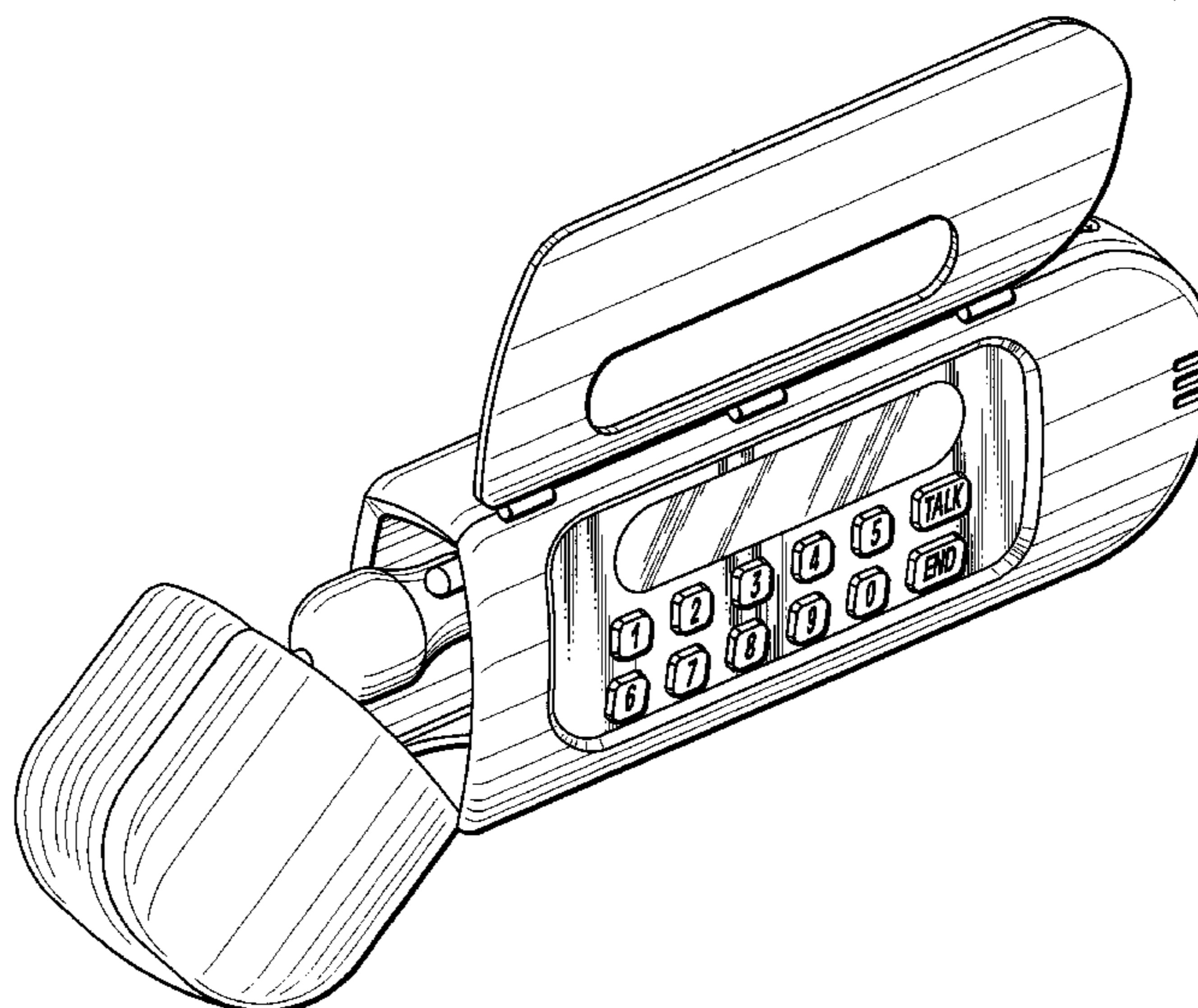
FIG. 3 is a front elevational view thereof with a front cover open and showing a digital display screen, a digital pad, a speaker, an earphone storage compartment partially open, and a window in the cover.

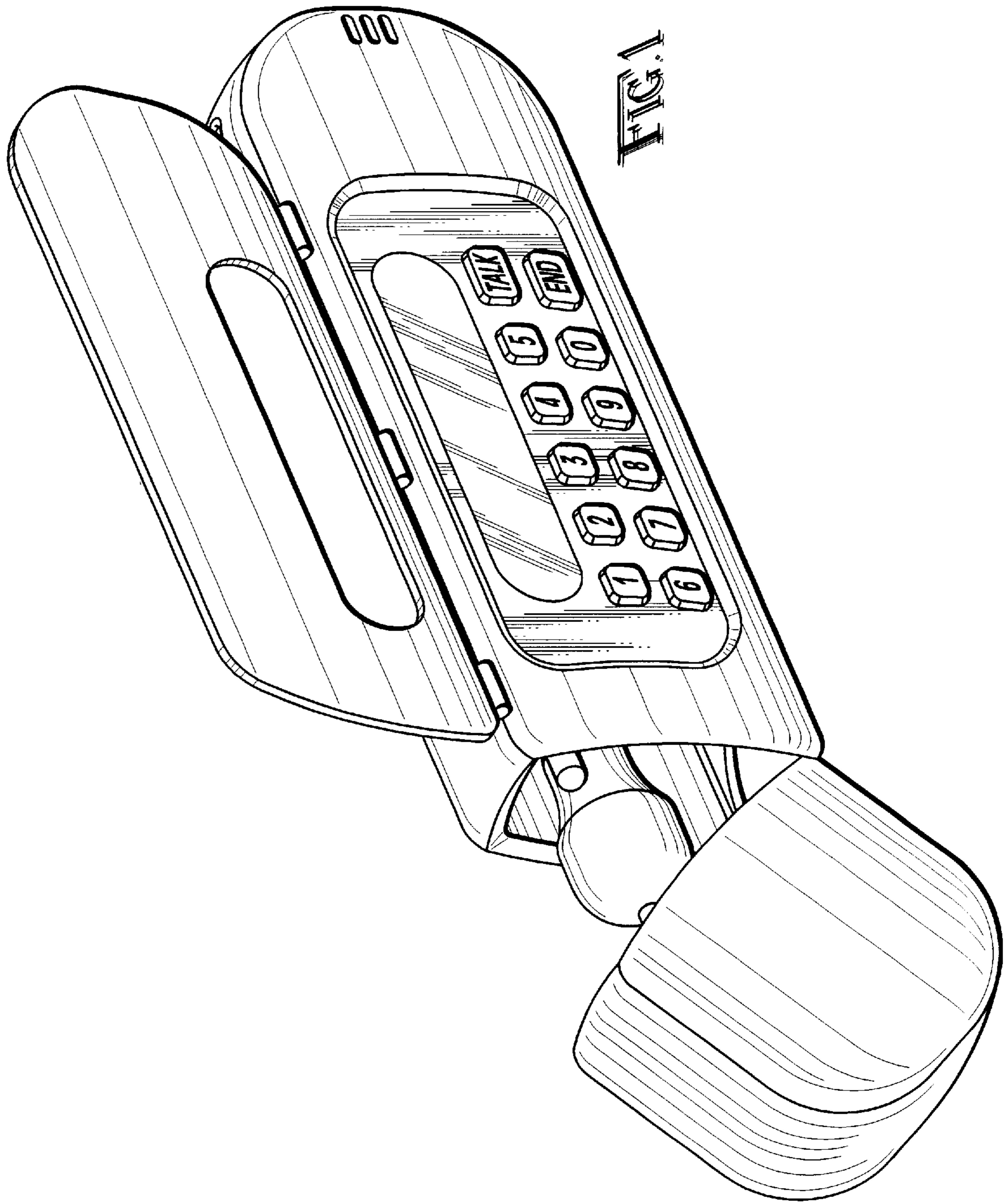
FIG. 4 is a bottom view thereof showing earphone jacks and a hinge for the cover of the earphone storage compartment which is shown in the closed condition.

FIG. 5 is a right hand view thereof with the cover open.

FIG. 6 is a left hand view thereof with the cover open; and, FIG. 7 is a rear view thereof with an earplug compartment open and an earplug stored therein partially visible.

1 Claim, 4 Drawing Sheets





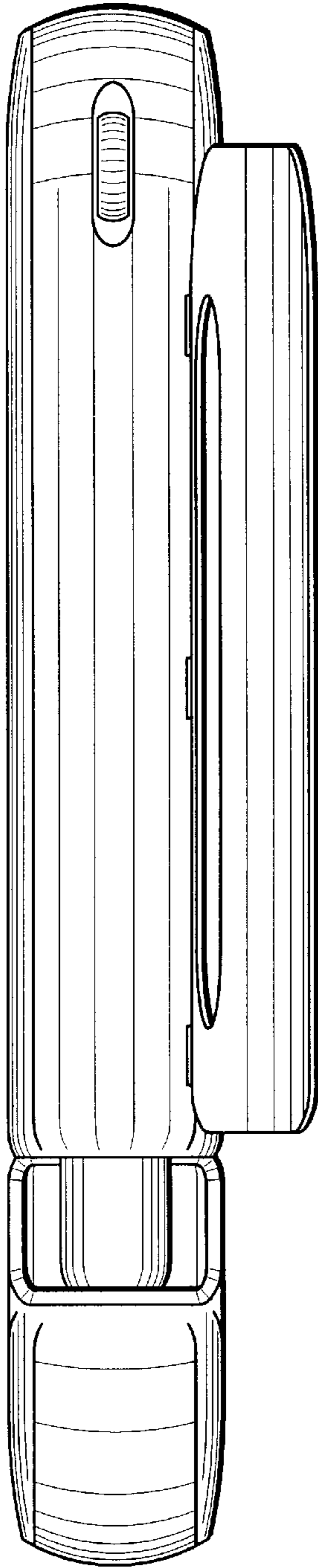


FIG. 2

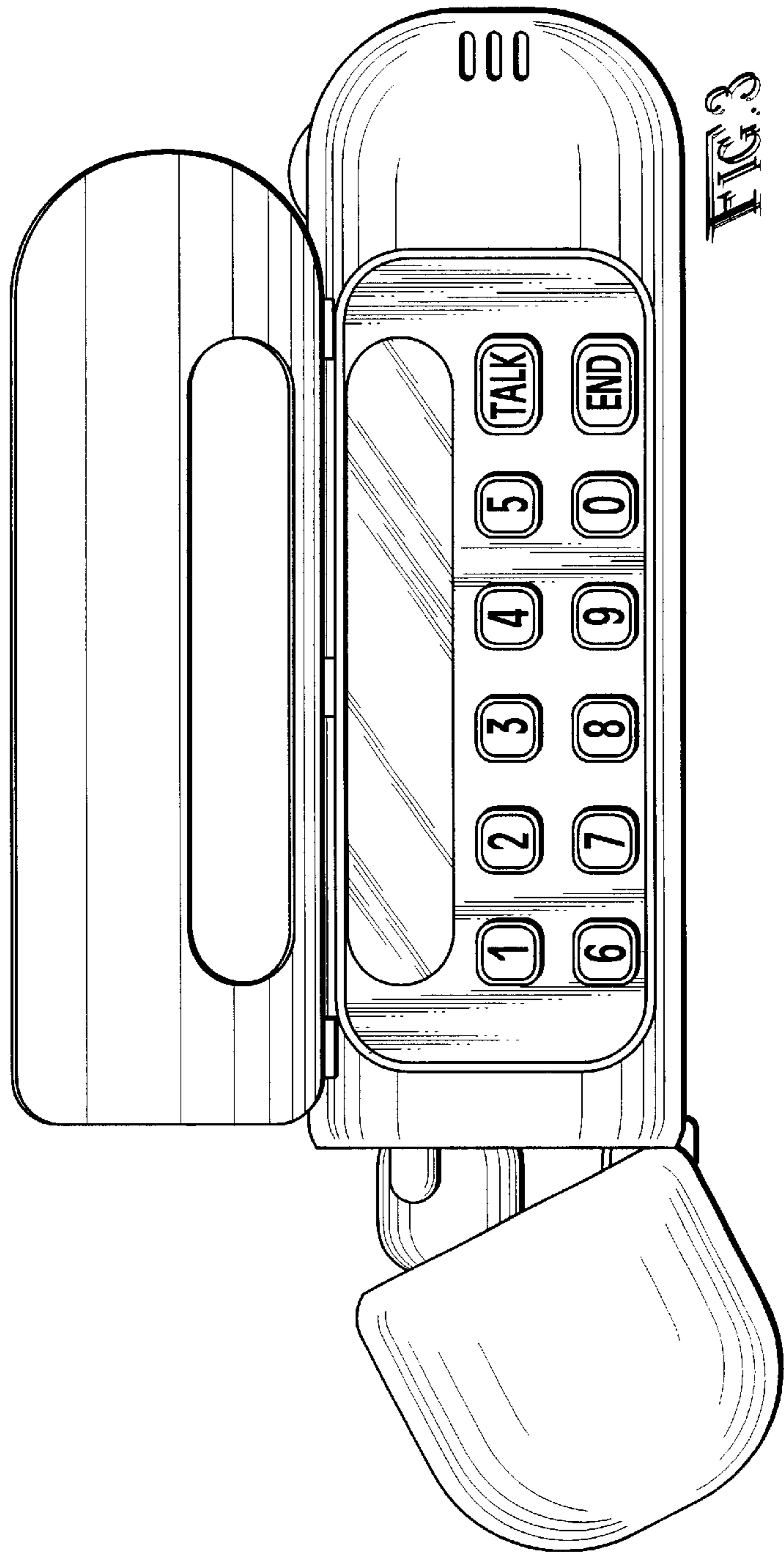


FIG. 3

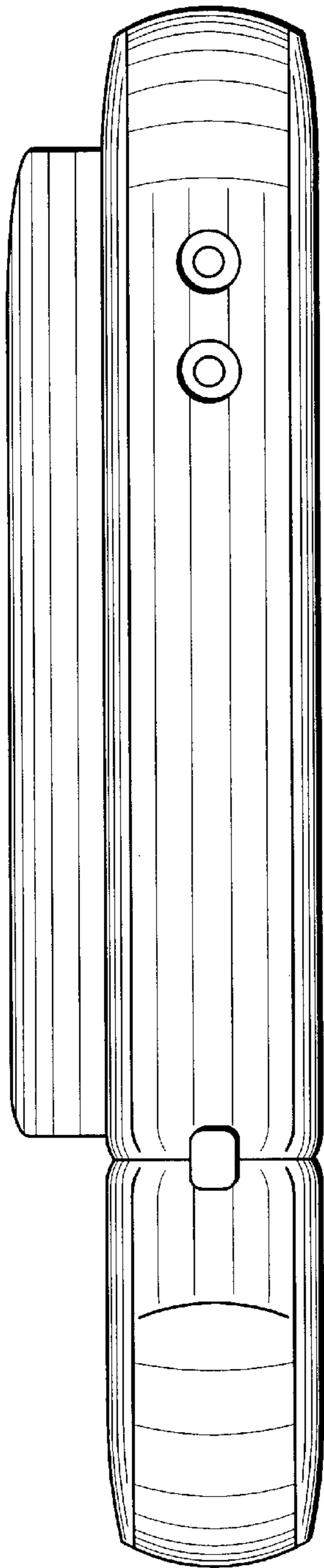


FIG. A

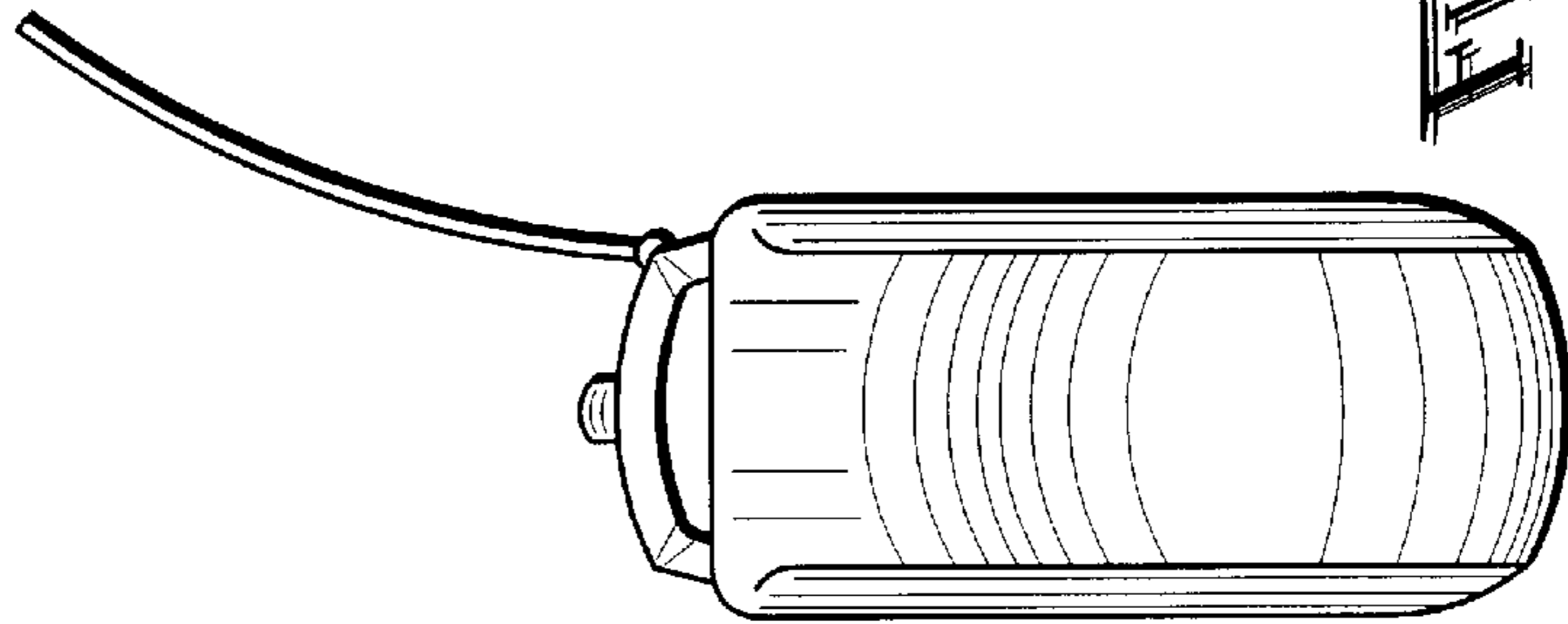


FIG. 6

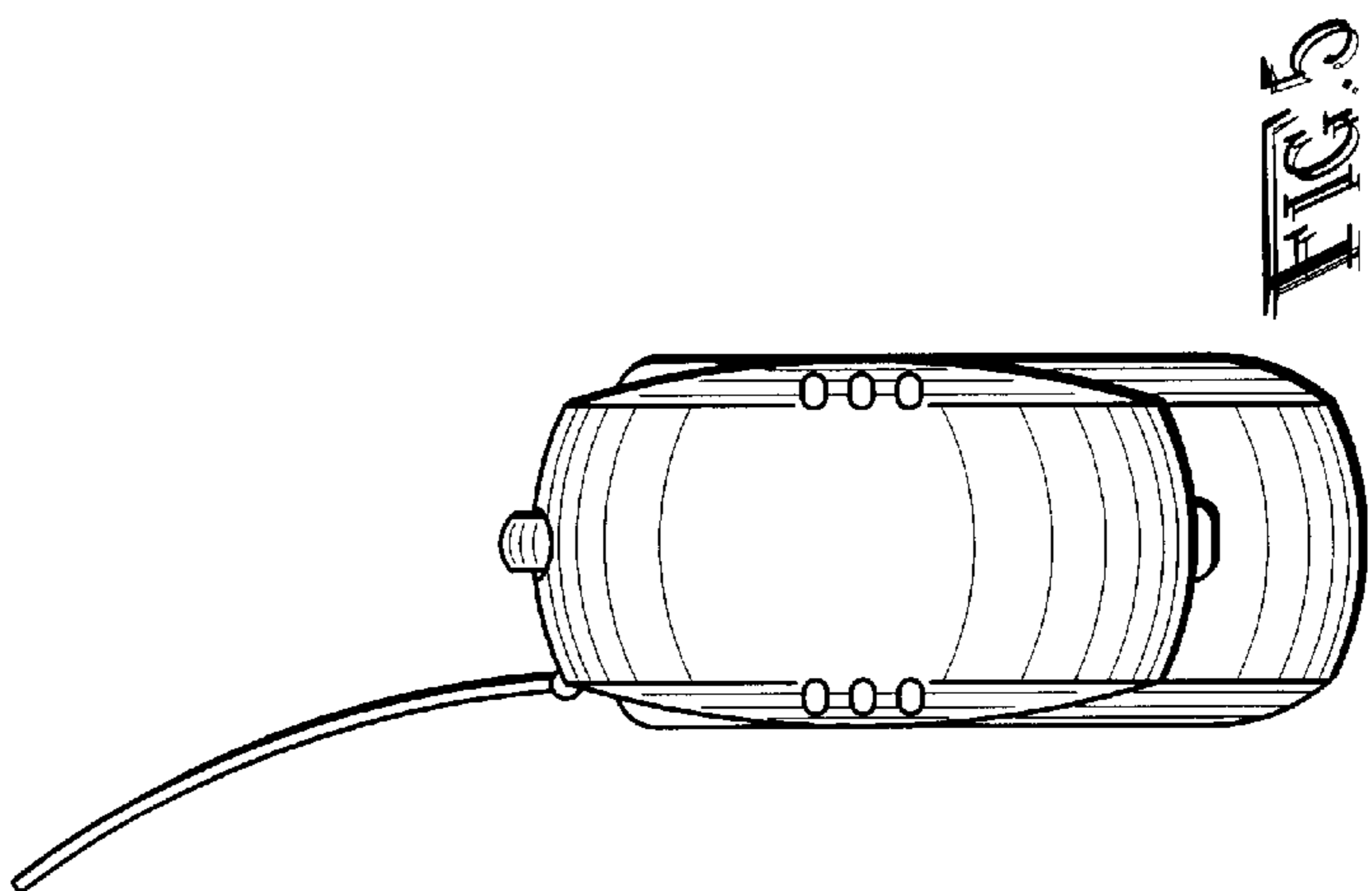


FIG. 5

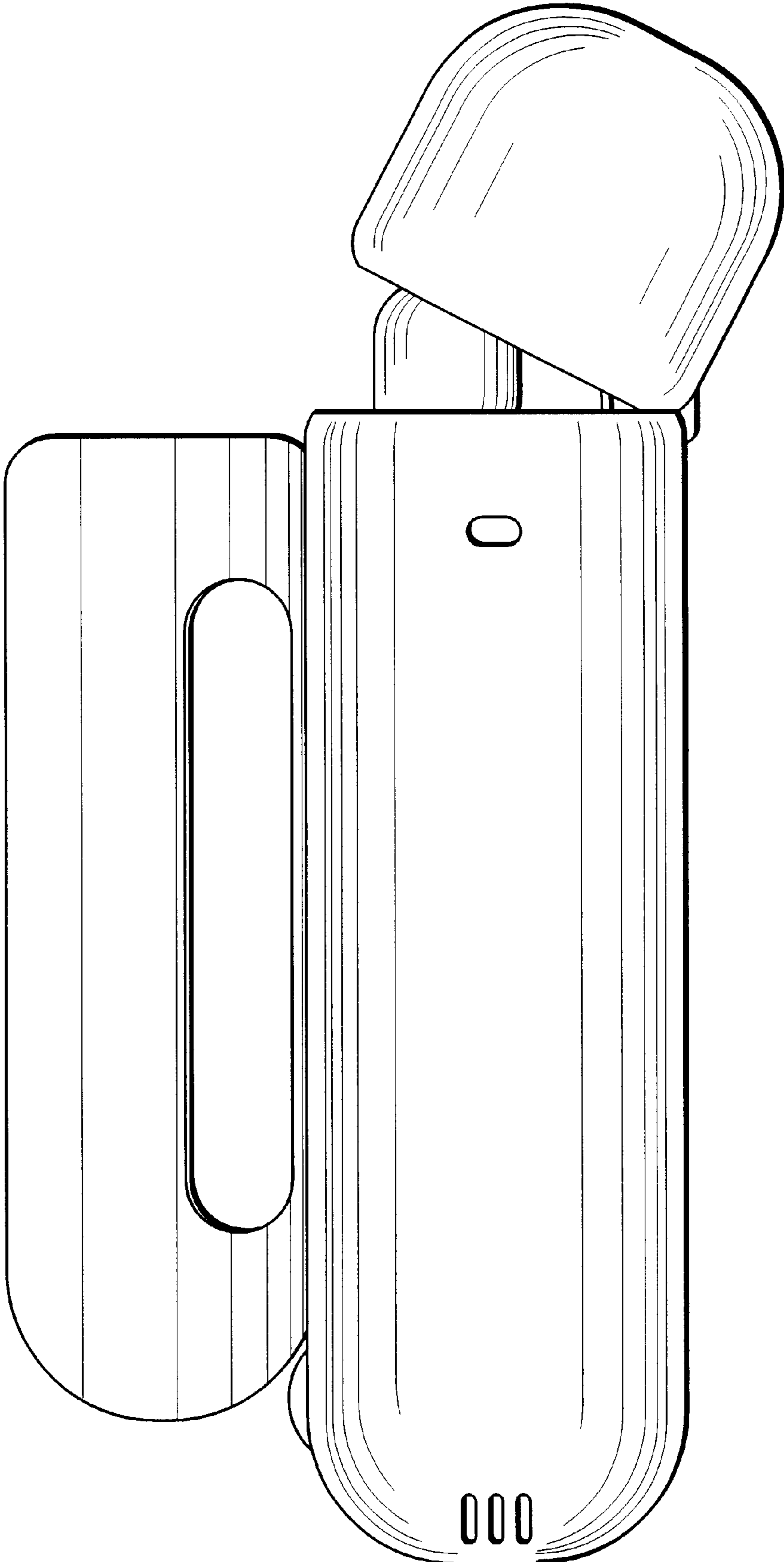


FIG. 1